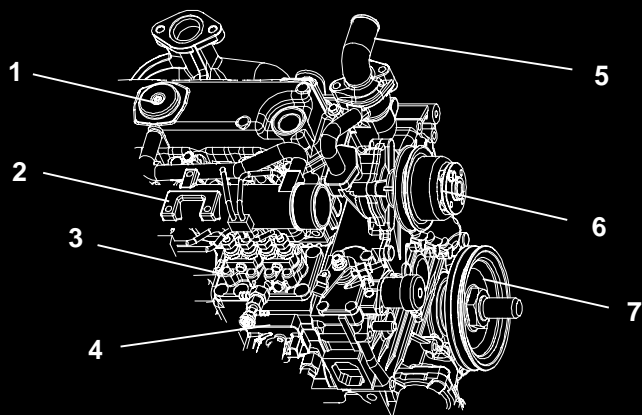




Diesel Engine

TRANSICOLD
United Technologies



SERVICE PARTS LIST

for

CT4-114-IDI (V1902-IDI) - All

CT4-114-DI (V1902-DI) - All

CT4-114-TV (V1903-TV) - Prior to S/N 4A0001

CT4-133-DI (V2202-DI) - All

CT4-134-DI (V2203-DI) - Prior to S/N XA0001

CT4-134-TV (V2203-TV) - Prior to S/N 4A0001



SERVICE PARTS LIST

for

DIESEL ENGINE

CT4-114-IDI (V1902-IDI) - All

CT4-114-DI (V1902-DI) - All

CT4-114-TV (V1903-TV) - Prior to S/N 4A0001

CT4-133-DI (V2202-DI) - All

CT4-134-DI (V2203-DI) - Prior to S/N XA0001

CT4-134-TV (V2203-TV) - Prior to S/N 4A0001

TABLE OF CONTENTS

PARAGRAPH NUMBER	Page
INTRODUCTION	i
REPLACEMENT ENGINE PART NO.	i
ENGINE SERIAL NUMBER MATRIX	i
ORDERING INSTRUCTIONS	ii
GENERAL NOTES	ii
1. CRANKCASE	2
2. OIL PANS	4
2.1. Oil Pan - One Piece	4
2.2. Oil Pan - Two Piece	5
3. DIPSTICK	6
4. CYLINDER HEAD COVER	7
5. CYLINDER HEAD	8
6. VALVES AND ROCKER ARMS	10
7. GEAR CASE	12
8. CAMSHAFT AND IDLE GEAR SHAFT	14
9. INTAKE MANIFOLD	15
10. EXHAUST MANIFOLD	16
11. FLYWHEEL AND FLYWHEEL HOUSING	17
12. CRANKSHAFT AND PISTONS	18
12.1. Crankshaft And Pistons - CT4-114-IDI	18
12.2. Crankshaft And Pistons - CT4-114-DI , 133-DI, 134-DI, 134-TV, 114-TV	20
12.3. Crankshaft And Pistons - CT4-114-TV ,134-TV (S/N 3S0001 Thru 4A0001 Only)	22
13. MAIN BEARING CASE	24
13.1. Main Bearing Case (Engines With S/N 3S0001 Thru 4A0001)	25
14. FUEL CAMSHAFT	26
15. GOVERNOR	28
16. SPEED CONTROL PLATE	30
17. ENGINE STOP LEVER	31
18. THERMOSTAT	32
19. WATER PUMP	33
20. INJECTION PUMP AND FITTINGS	34
21. INJECTORS, FUEL LINES AND GLOW PLUGS	35
21.1. Injectors, Fuel Lines And Glow Plugs - CT4-114-IDI	35
21.2. Injectors, Fuel Lines And Glow Plugs - CT4-114-DI, 133-DI, 134-DI	36
21.3. Injectors, Fuel Lines And Glow Plugs - CT4-134-TV, 114-TV	37
22. INJECTION PUMP ASSEMBLY	38
22.1. Injection Pump Assembly - CT4-114-IDI	38
22.2. Injection Pump Assembly - CT4-114-DI, 133-DI, 134-DI	39
22.3. Injection Pump Assembly - CT4-134-TV, 114-TV	40
23. INJECTOR ASSEMBLY	41

PARAGRAPH NUMBER	Page
24. STARTER	42
24.1. Starter - New Style - One Piece Oil Pan	42
24.2. Starter - Old Style - One Piece Oil Pan	44
24.3. Starter - Two Piece Oil Pan	45
24.4. Starter Assembly - 25-39291-00	46
24.5. Starter Assembly - 25-39316-00	47
25. FUEL PUMP ASSEMBLY	48
26. STOP SOLENOID - CT4-134-TV, CT4-114-TV	49
27. PULLEY	50
28. GASKET SETS	51
28.1. Gasket Set - CT4-114-IDI	51
28.2. Gasket Set - CT4-114-DI	52
28.3. Gasket Set - CT4-133-DI, CT4-134-DI	53
28.4. Upper end Gasket Set - CT4-134-DI	54
28.5. Gasket Set - CT4-134-TV	55
28.6. Gasket Set - CT4-114-TV	56
28.7. Gasket Set - Supplement For Ultra	56
29. ENGINE REBUILD KIT - CT4-114-IDI	57
30. ACCESSORIES AND SERVICE PARTS	58
PART NUMBER INDEX	Index-1

INTRODUCTION

This parts list identifies service replacement parts for the Carrier Transicold models listed in the following Model Chart. The diesel engines are manufactured exclusively for Carrier Transicold transport refrigeration by Kubota.

This Parts List identifies service replacement parts for the Carrier Transicold models listed in Table 1-1. These diesel engines are manufactured exclusively for Carrier Transicold transport refrigeration by Kubota.

REPLACEMENT ENGINE PART NUMBER

MODEL NO.	ENGINE TYPE	OIL PAN	NEW ENGINE PART NO.	REMANUFACTURED PART NO.	PRIMARY USE
V1902-IDI	CT4-114-IDI	1 piece	-	26-50000-00RM	Early Trailer No Lift Pump Mount
V1902-IDI	CT4-114-IDI	1 piece	-	26-50003-00RM	Early Trailer With Lift Pump Mount
V1902-DI	CT4-114-DI	1 piece	CALL FOR INFORMATION		
V1903-TV	CT4-114-TV	2 piece	26-00123-00	-	EXTRA
V2202-DI	CT4-133-DI	1 piece	CALL FOR INFORMATION		
V2203-DI	CT4-134-DI	1 piece	26-00093-00	26-50001-00RM	Phoenix Advantage, T-Bird
Same as 26-50001-00RM but less Flywheel & Housing				26-50001-10RM	Phoenix Advantage, T-Bird
V2203-DI	CT4-134-DI	1 piece	-	26-50016-00RM	GENSET
V2203-DI	CT4-134-DI	2 piece	SEE NOTE	26-50014-00RM	GENSET
V2203-DI	CT4-134-DI	2 piece	SEE NOTE	26-50015-00RM	Trailer Units
V2203-TV	CT4-134-TV	1 piece	26-00094-00	26-50002-00RM	Phoenix Advantage, T-Bird
V2203-TV	CT4-134-TV	2 piece	26-00101-02	26-50004-00RM	Trailer Units
NOTE: Refer to Manual 62-10295 for New CT4-134-DI Low Emissions Engine					
Remanufactured engines are less fuel pump and starter.					

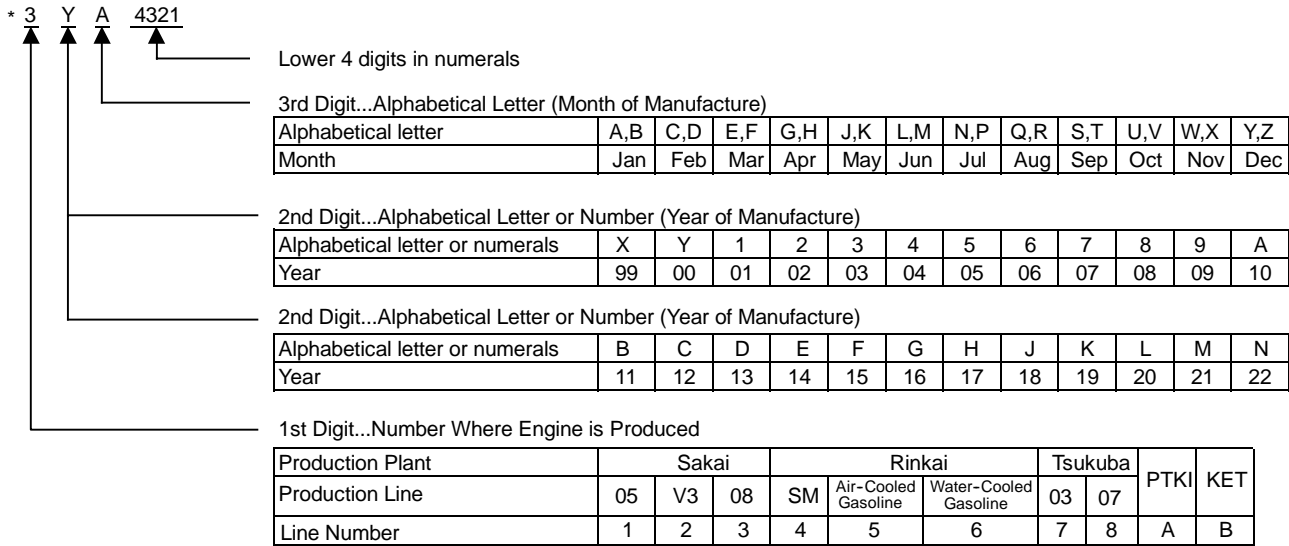
ENGINE SERIAL NUMBER MATRIX

Old Serial Number:

654321... 6 digits all in numerals - Pre 1999 IDI Engine

DIB12345... DIB Prefix with a 5 digit number - Pre 1999 DI Engine

Current Serial Number:



* Beginning on June 1, 2012 the 6-digit serial number will be replaced by the 7-digit serial number. The 1st digit will signify the location of engine manufacture to eliminate the possibility of duplicate serial numbers.

ORDERING INSTRUCTIONS

All orders and inquiries for parts must include:

- Unit Serial Number
- Part No.
- Description of Part
- Quantity Required

Address all correspondence for parts to the following address:

CARRIER TRANSICOLD DIVISION
 Replacement Components Group, TR-20
 P.O. Box 4805, Syracuse, NY 13221

or
 Fax to : (315) 432-3778

GENERAL NOTES

To find replacement parts, consult table of contents, and turn to the appropriate page for the illustrated breakdown of replacement parts. The following letter designations are used to classify parts throughout this list:

- A/R *As Required*
- NS *Not Shown* in the illustration.
- NLO *No Longer Offered*
- NSS *Not Sold Separately* - order next higher assembly or kit.
- PL *Purchase Locally.*

ENGINE PHOTOGRAPH

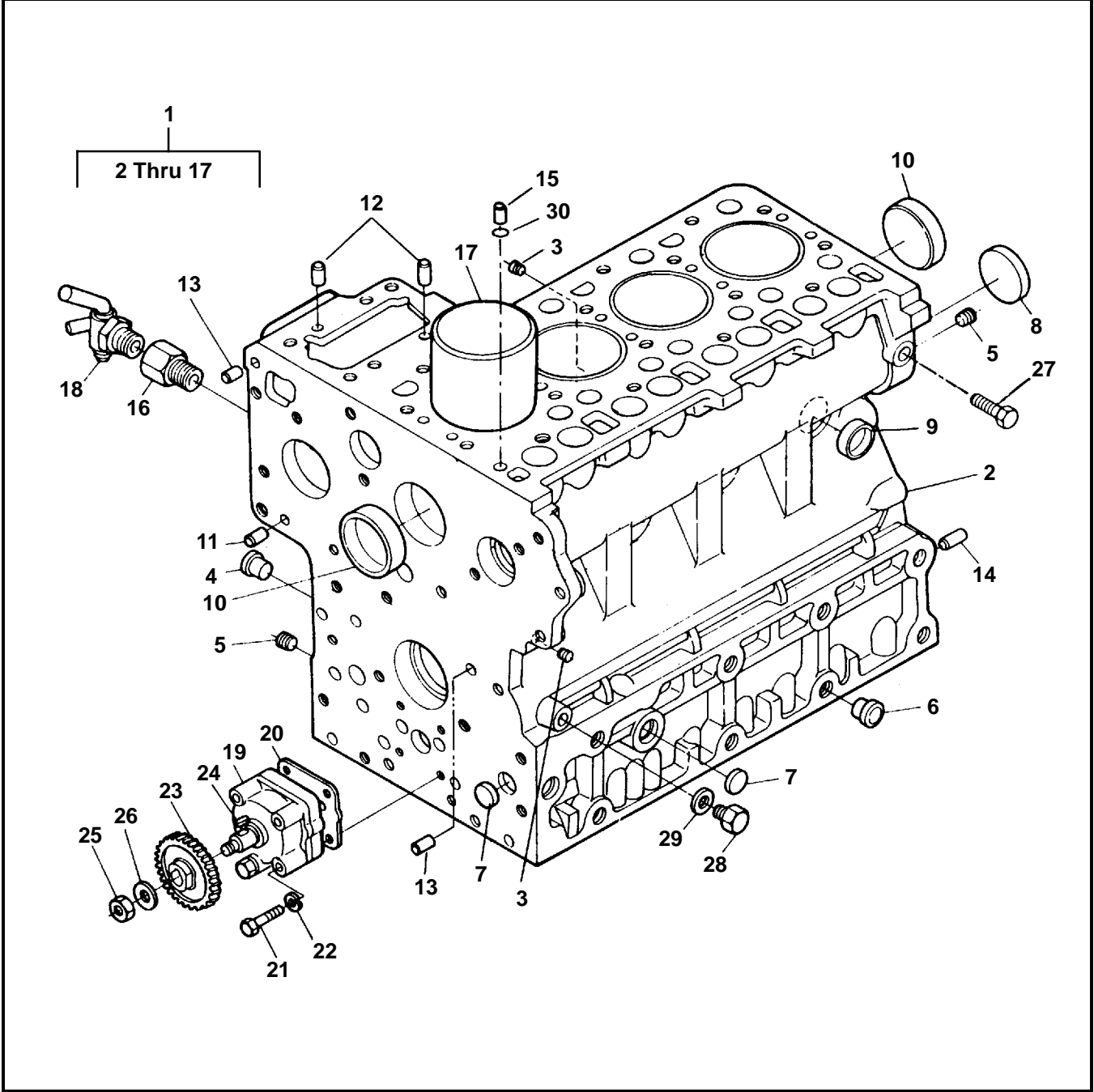


One Piece Oil Pan



Two Piece Oil Pan

1. CRANKCASE

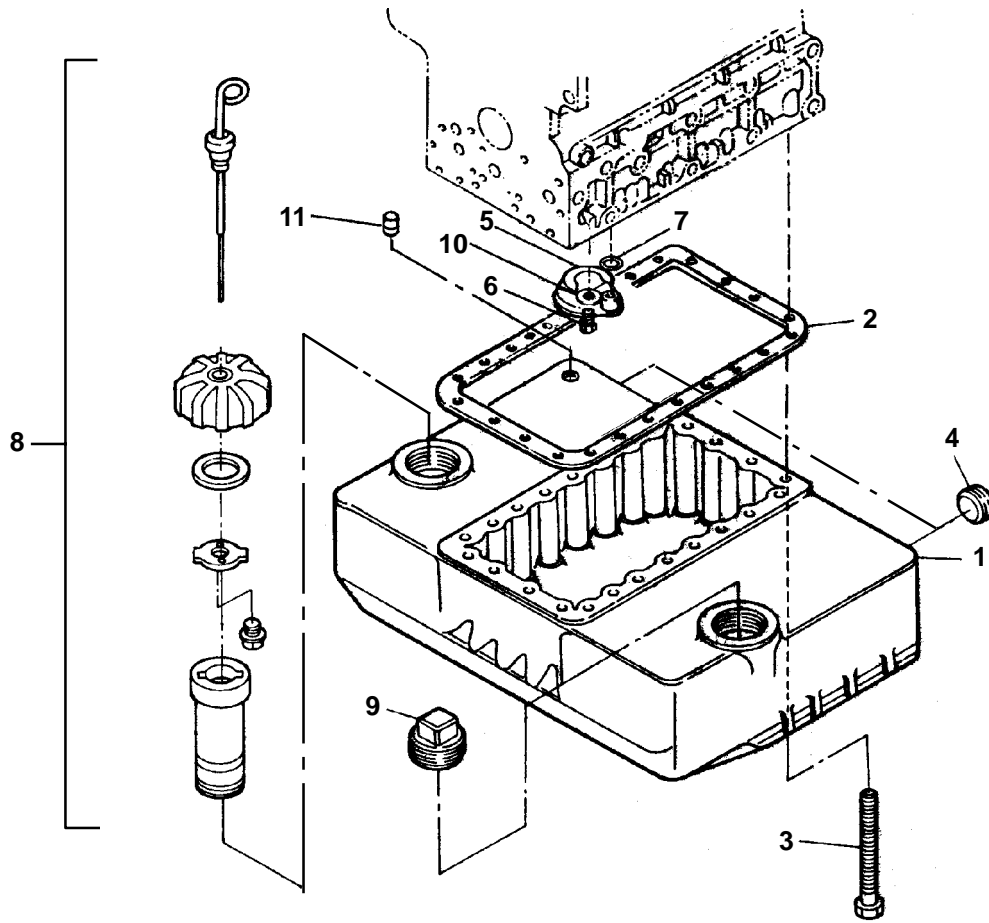


1. CRANKCASE

Item	Part Number	Description	Qty
1	25-38025-00	Crankcase, Assembly (CT4-114-DI) - Includes:	1
	25-38505-00	Crankcase, Assembly (CT4-133-DI) - Includes:	
	25-39011-00	Crankcase, Assembly (CT4-134-DI) - Includes:	
	25-39010-00	Crankcase, Assembly (CT4-134-TV) - Includes:	
	25-39012-00	Crankcase, Assembly (CT4-114-TV) - Includes:	
2	NSS	Crankcase	1
3	25-37026-00	Plug	6
4	25-37029-00	Plug	19
5	25-37028-00	Plug	2
6	25-37027-00	Plug (CT4-114-DI, 114-IDI)	1
	25-37029-00	Plug (CT4-134-TV, CT4-114-TV)	
7	25-37030-00	Plug, Expansion (CT4-114-DI, 114-IDI, 134-DI, 134-TV)	3
	25-39015-00	Plug, Expansion (CT4-134-TV-Ultra, CT4-114-TV)	
8	25-37031-00	Plug, Expansion	1
9	25-37032-00	Cap, Sealing	6
10	25-37033-00	Cap, Sealing	2
11	25-37034-00	Pin, Dowel	2
12	25-37035-00	Pin, Dowel	2
13	25-37695-00	Pin, Dowel	2
14	25-37036-00	Pin, Dowel	1
15	25-35031-00	Pin, Pipe	1
16	25-37037-00	Adapter	1
17	25-37038-00	Liner, Cylinder (CT4-114-DI, 114-IDI)	4
18	25-37039-00	Cock, Drain	1
19	25-37040-00	Pump, Oil	1
20	25-37041-00	Gasket, Oil Pump	1
21	25-37042-00	Bolt, M6 x 50mm Long - Grade 7	4
22	25-35692-00	Washer, Spring Lock, M6	4
23	25-37043-00	Gear, Oil Pump Drive	1
24	25-37044-00	Key, Feather	1
25	25-37045-00	Nut	1
26	25-37046-00	Washer	1
27	25-37049-00	Plug	1
28	25-37048-00	Plug	1
29	25-35136-05	Gasket, Seal	1
30	25-35032-00	O-Ring	1

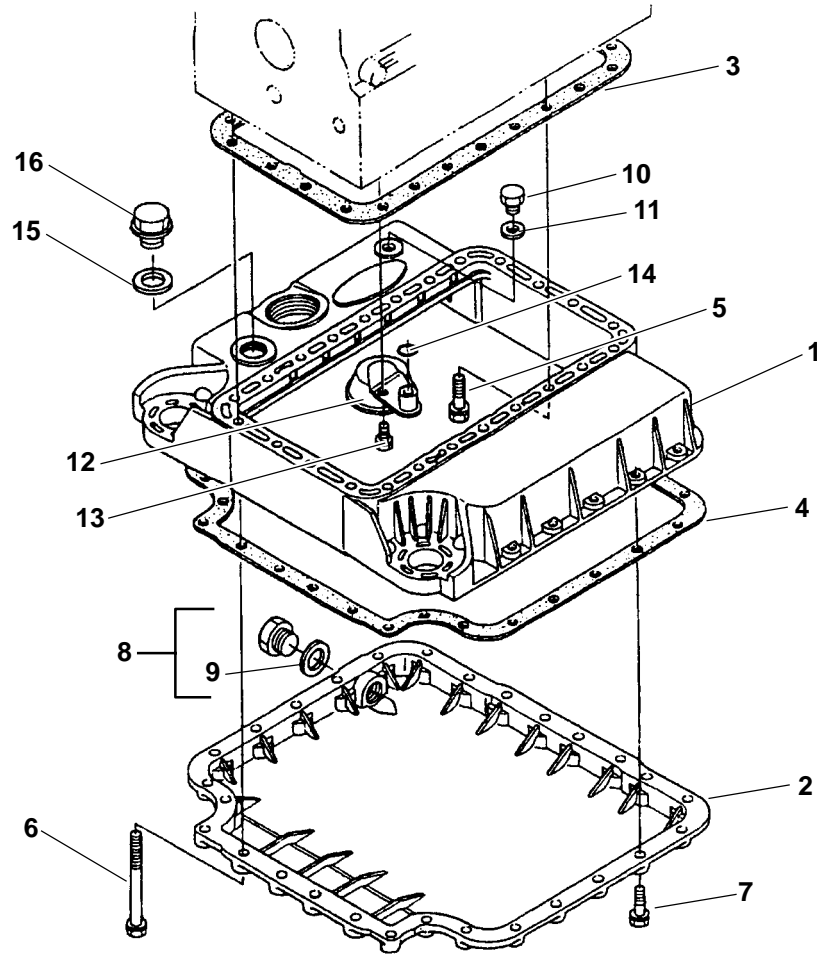
2. OIL PANS

2.1. Oil Pan - One Piece



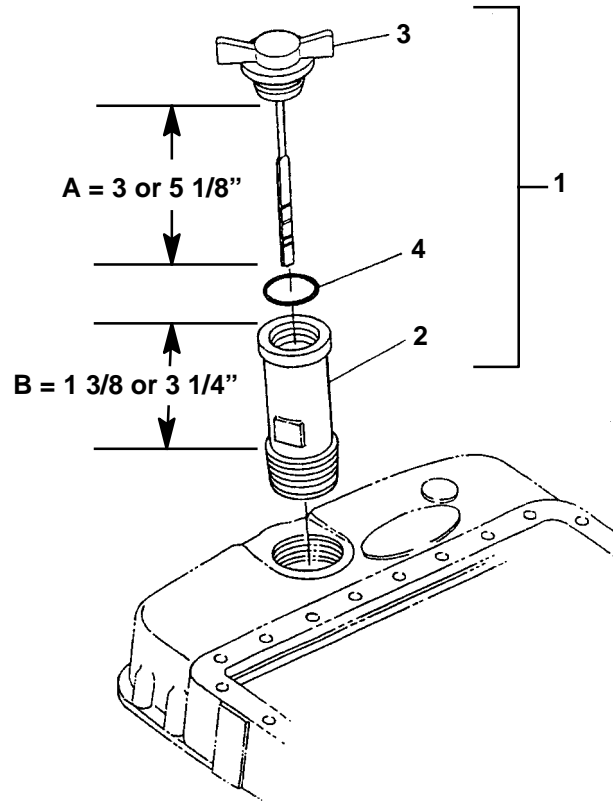
Item	Part Number	Description	Qty
1	25-37075-00	Oil Pan - One Piece	1
2	25-39027-00	Gasket, Oil Pan	1
3	25-37077-00	Bolt, M10 x 1.25 x 110 mm Long	24
4	25-37078-00	Plug, 3/4-14 NPT	2
5	25-37079-00	Screen, Oil Pick-up	1
6	25-37657-00	Bolt, M8 x 16 mm Long - Grade 7	1
7	25-39032-00	O-Ring	1
8	NLO	Dipstick And Tube - Refer to Section 3.	1
9	25-37082-00	Plug, 1-1/2 - 11 NPT	1
10	25-35687-00	Washer, Spring Lock, M8	1
11	25-38252-00	Plug	1

2.2. Oil Pan - Two Piece



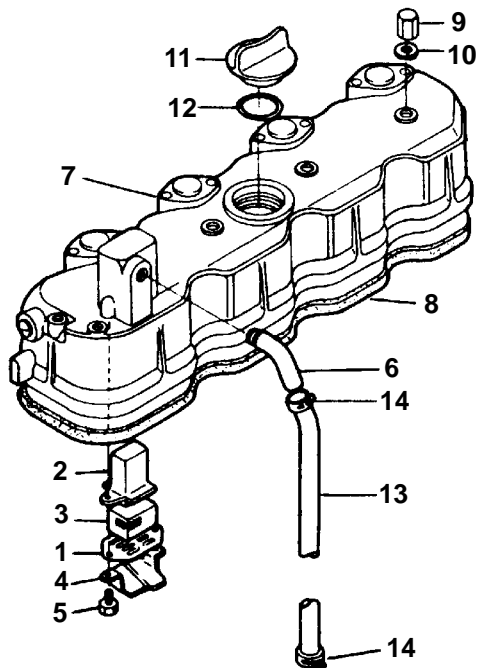
Item	Part Number	Description	Qty
1	25-39292-00	Pan, Oil 2 Piece Top	1
2	25-39026-00	Cover, Oil Pan 2 Piece Bottom	1
3	25-39027-00	Gasket, Oil Pan	1
4	25-39028-00	Gasket, Oil Pan Cover 2 Piece	1
5	25-39030-00	Bolt, Metric, M10	16
6	25-37077-00	Bolt, M10	8
7	25-39021-00	Bolt	20
8	25-36738-00SV	Plug and Gasket - Includes:	1
9	25-36739-00	Gasket, Copper O-Ring	1
10	25-39029-00	Plug	1
11	25-35045-00	Gasket, Copper O-Ring	1
12	25-37079-00	Screen Filter, Oil Pump Pickup	1
13	25-37657-00	Bolt, M8 x 16 MM Long Grade 7	1
14	25-39032-00	O-Ring, Oil Pickup Tube	1
15	25-39276-00	Gasket, Copper O-Ring	1
16	25-39277-00	Plug	1

3. DIPSTICK

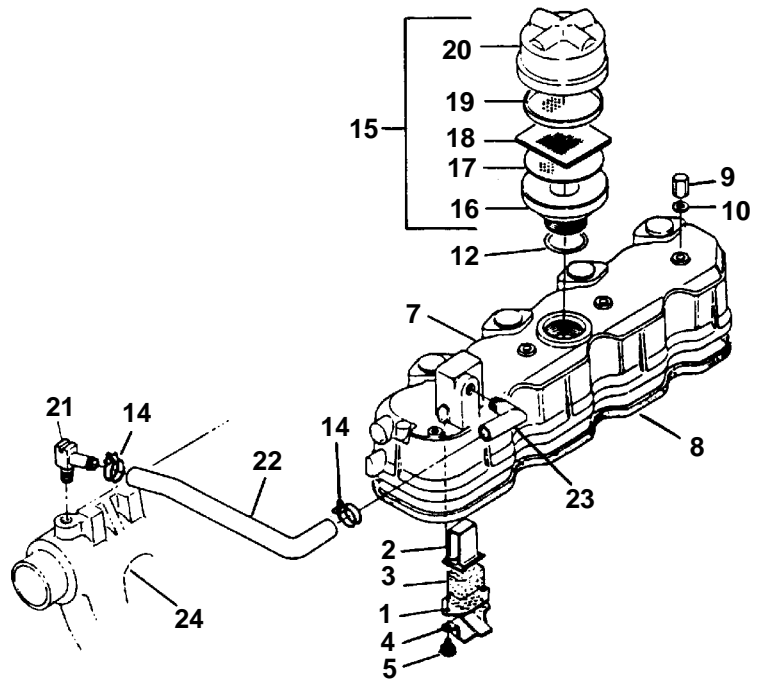


Item	Part Number	Description	Qty
1	25-37089-00	Kit, Dipstick And Fill Tube - Includes:	1
2	25-37087-00	Tube, Oil Fill - Long B (Approximately 3 1/4 Inches)	1
3	25-37085-00	Dipstick / Fill Cap - Long A (Approximately 5 1/8 Inches)	1
4	25-37310-00	O-Ring	1
2	25-15071-00	Tube, Oil Fill - Short B (Approximately 1 3/8 Inches)	1
3	25-15070-00	Dipstick / Fill Cap - Short A (Approximately 3 Inches)	1

4. CYLINDER HEAD COVER



OPEN BREATHER

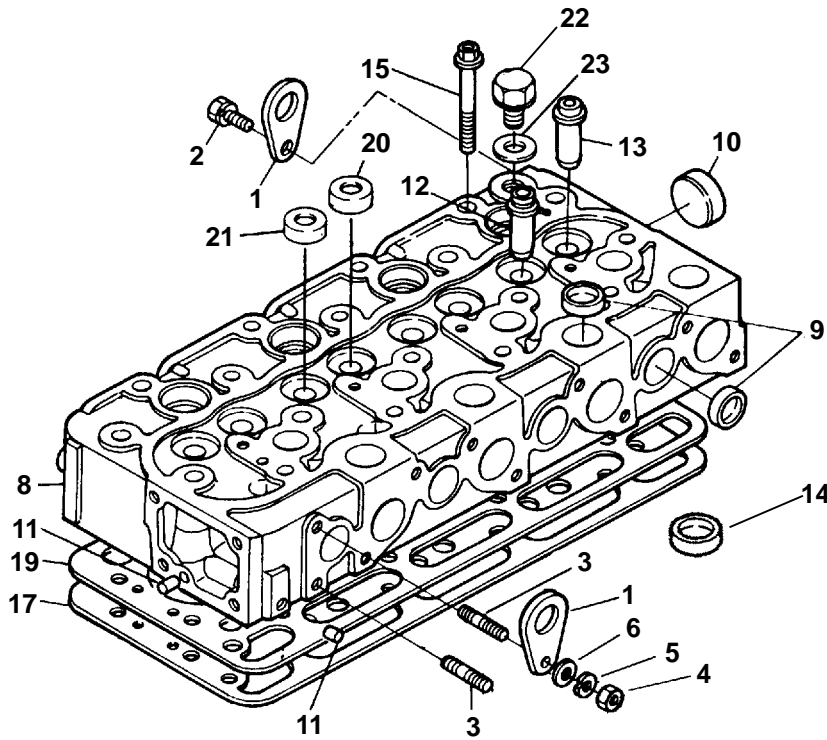


CLOSED BREATHER

Item	Part Number	Description	Qty
1	25-37300-00	Plate	1
2	25-37301-00	Cover	1
3	25-37302-00	Element, Breather	1
4	25-37303-00	Oil Shield, Breather	1
5	25-37304-00	Screw (Includes Washer)	2
6	25-37305-00	Tube, Breather Pipe	1
7	25-37306-00	Cover, Valve (CT4-114-IDI, 114-DI, 133-DI, 134-DI)	1
	25-39070-00	Cover, Valve (CT4-134-TV, 114-TV)	
8	25-37307-00	Gasket, Valve Cover	1
9	25-37308-00	Nut, Cap	4
10	25-35136-05	Gasket	4
11	25-35209-00	Cap, Oil Filler	1
12	25-37310-00	O-Ring, Oil Fill Cap	1
13	PL	Breather Hose, 1/2 Inch ID	1
14	44-00045-06	Clamp, Worm	2
15	25-38582-00	Breather Assembly - Includes:	1
16	NSS	Flange	1
17	NSS	Plate Element	1
18	25-38582-03	Element, Breather	1
19	NSS	Plate Element	1
20	NSS	Cap	1
21	25-38581-00	Fitting, Manifold	1
22	25-38583-00	Tube Breather	1
23	25-38580-00	Fitting, Valve Cover	1
24	-	Manifold Intake - Refer To Section 9.	1

5. CYLINDER HEAD

Cylinder Head Assembly 7 Includes: Items 8 Thru 14



Head Gasket Kit 16 Includes: Items 17 And 18

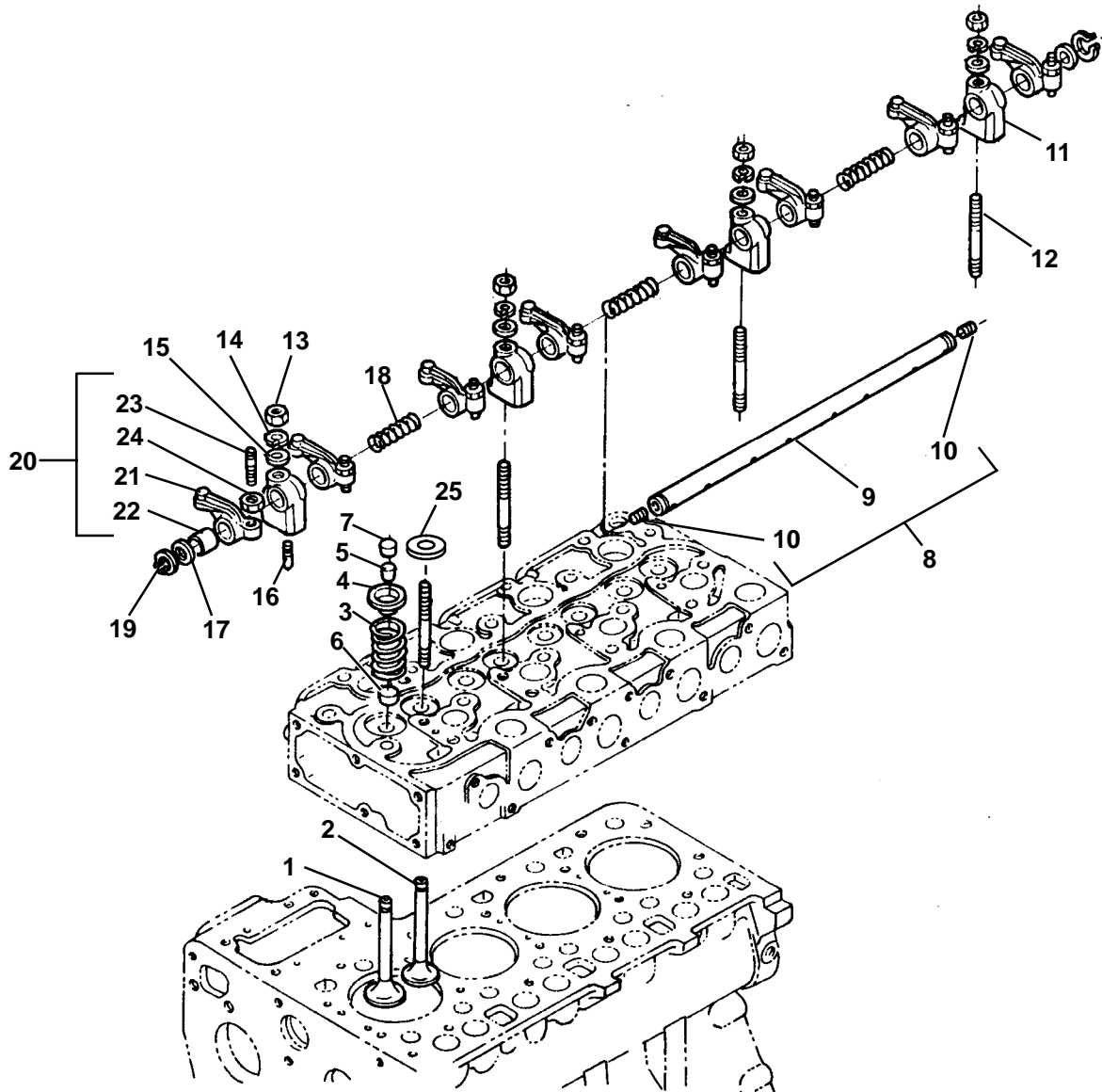
Item	Part Number	Description	Qty
1	25-15020-00	Lifting Eye	2
2	25-37657-00	Bolt M8 x 16 mm Long - Grade 7	1
3	25-37119-00	Stud	2
4	25-35685-00	Nut, Hex M8 - Grade 7	1
5	25-35687-00	Washer, Spring Lock M8	1
6	25-35531-00	Washer, Plain M8	1
7	25-37105-00	Cylinder Head Assembly (CT4-114-IDI) - Includes:	1
	25-38045-00	Cylinder Head Assembly (CT4-114-DI) - Includes:	
	25-38525-00	Cylinder Head Assembly (CT4-133-DI 134-DI) - Includes:	
	25-39035-00	Cylinder Head Assembly (CT4-134-TV) - Includes:	
	25-39154-00	Cylinder Head Assembly (CT4-114-TV) - Includes:	
8	NSS	Cylinder Head	1
9	25-37106-00	Cap, Sealing	12
10	25-37107-00	Cap, Sealing	1
11	25-37108-00	Plug, Pin	2
12	25-39036-00	Guide, intake (Ream To Size)	4
13	25-39037-00	Guide, Exhaust (Ream To Size)	4

5. CYLINDER HEAD (Continued)

Item	Part Number	Description	Qty
14	25-37120-00	Pre-Chamber (CT4-114-IDI)	2
	25-39039-00	Pre-Chamber (CT4-134-TV)	
15	25-37111-00	Bolt, Cylinder Head (CT4-114-IDI, 114-DI)	18
	25-38528-00	Bolt, Cylinder Head (CT4-133-DI, 134-DI, 134-TV, 114-TV)	
16	25-37115-04	Kit, Head Gasket (CT4-114-IDI) - Includes:	1
	25-38046-01	Kit, Head Gasket (CT4-114-DI) - Includes:	
	25-38530-01	Kit, Head Gasket (CT4-133-DI) (Prior To S/N 1001) - Includes:	
	25-38529-01	Kit, Head Gasket (CT4-133-DI, 134-DI) (Starting With S/N 1001) - Includes:	
	25-38532-00	Kit, Head Gasket (CT4-134-TV) - Includes:	
	25-39113-00	Kit, Head Gasket (CT4-114-TV) - Includes:	
17	NSS	Gasket, Cylinder Head	1
18	25-35032-00	O-Ring - Refer to Section 1. Item 30 for Location	1
19	25-37116-00	Shim, Cylinder Head Gasket (CT4-114-IDI)	1
20	25-37117-00	Seat, Exhaust Valve (CT4-114-IDI)	4
	25-38050-00	Seat, Exhaust Valve (CT4-114-DI And CT4-134-DI Prior to 1998 See Note)	
	25-39087-00	Seat, Exhaust Valve (CT4-134-TV)	
21	25-37118-00	Seat, Intake Valve (CT4-114-IDI)	4
	25-38048-00	Seat, Intake Valve (CT4-114-DI And CT4-134-DI Prior to 1998 See Note)	
	25-39088-00	Seat, Exhaust Valve (CT4-134-TV)	
22	25-38052-00	Plug (CT4-114-DI, 133-DI, 134-DI, 134-TV, 114-TV)	1
23	25-38053-00	Washer (CT4-114-DI, 133-DI, 134-DI, 134-TV, 114-TV)	1

Note: Beginning in 1998, CT4-134-DI engine exhaust and intake valve seats were machined into the head material. If valve seat repair is required for these cylinder heads, order the complete head assembly.

6. VALVES AND ROCKER ARMS

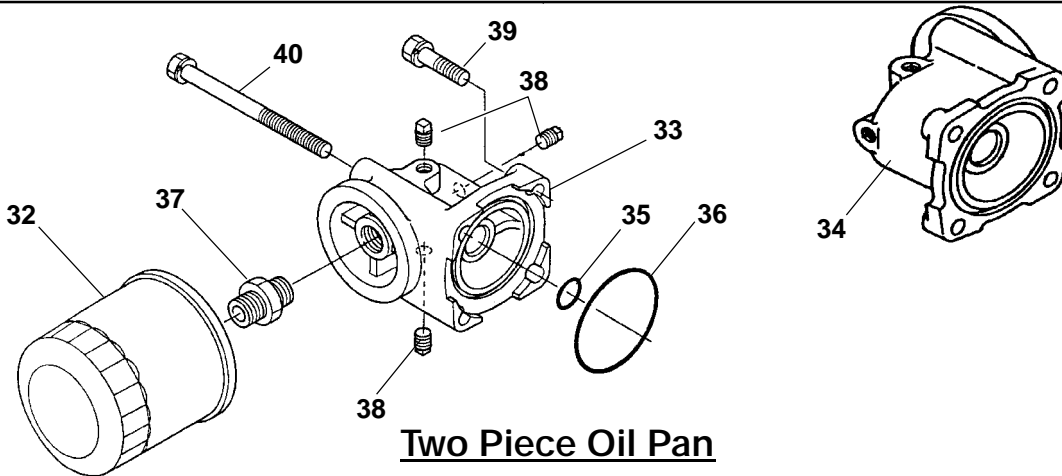
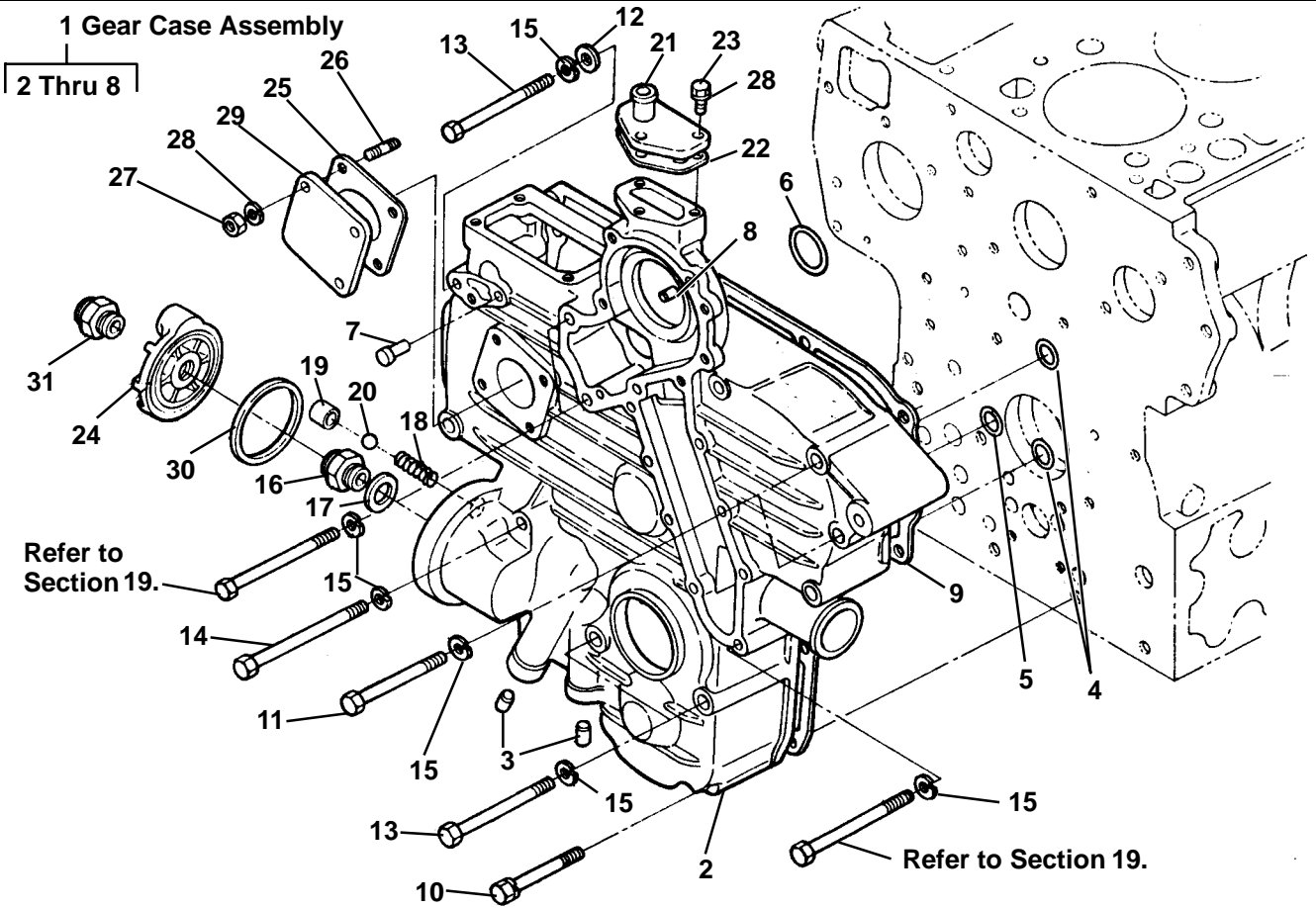


Item	Part Number	Description	Qty
1	25-37260-00	Valve, Intake (CT4-114-IDI)	4
	25-38085-00	Valve, Intake (CT4-114-DI, 133-DI, 134-DI)	
	25-39085-00	Valve, Intake (CT4-134-TV, 114-TV)	
2	25-37261-00	Valve, Exhaust (CT4-114-IDI)	4
	25-38086-00	Valve, Exhaust (CT4-114-DI, 133-DI, 134-DI)	
	25-39086-00	Valve, Exhaust (CT4-134-TV, 114-TV)	
3	25-37262-00	Spring, Valve	8
4	25-37263-00	Retainer, Spring	8
5	25-37264-00	Keeper, Valve	16
6	25-37265-00	Seal, Valve Stem	8
7	25-37266-00	Cap, Valve	8

6. VALVES AND ROCKER ARMS (Continued)

Item	Part Number	Description	Qty
8	25-37267-00	Shaft Assembly, Rocker Arm - Includes:	1
9	NSS	Shaft, Rocker Arm	1
10	25-37267-02	Screw, Set	2
11	25-37268-00	Bracket, Rocker Arm	4
12	25-37269-00	Stud	4
13	25-35685-00	Nut, M8 - Grade 6	4
14	25-35692-00	Washer, Spring Lock, M8	4
15	25-35531-00	Washer, Plain, M8	4
16	25-37270-00	Screw, Set	1
	25-39023-00	Pin, Roll (CT4-114-TV)	1
17	25-37271-00	Washer, Rocker Arm Shaft	2
18	25-37272-00	Spring, Rocker Arm	3
19	25-37273-00	Circlip	2
20	NLO	Rocker Arm Assembly (With Bushing) - Includes:	8
21	NSS	Rocker Arm	8
22	25-37275-00	Bushing, Rocker Arm	8
20	25-39090-00	Rocker Arm Assembly (Without Bushing) - Includes:	8
21	NSS	Rocker Arm	8
23	25-37276-00	Screw, Rocker Arm Adjusting	8
24	25-37277-00	Nut, Rocker Arm Adjusting	8
25	25-39092-00	Plate, Oil Deflection	1

7. GEAR CASE



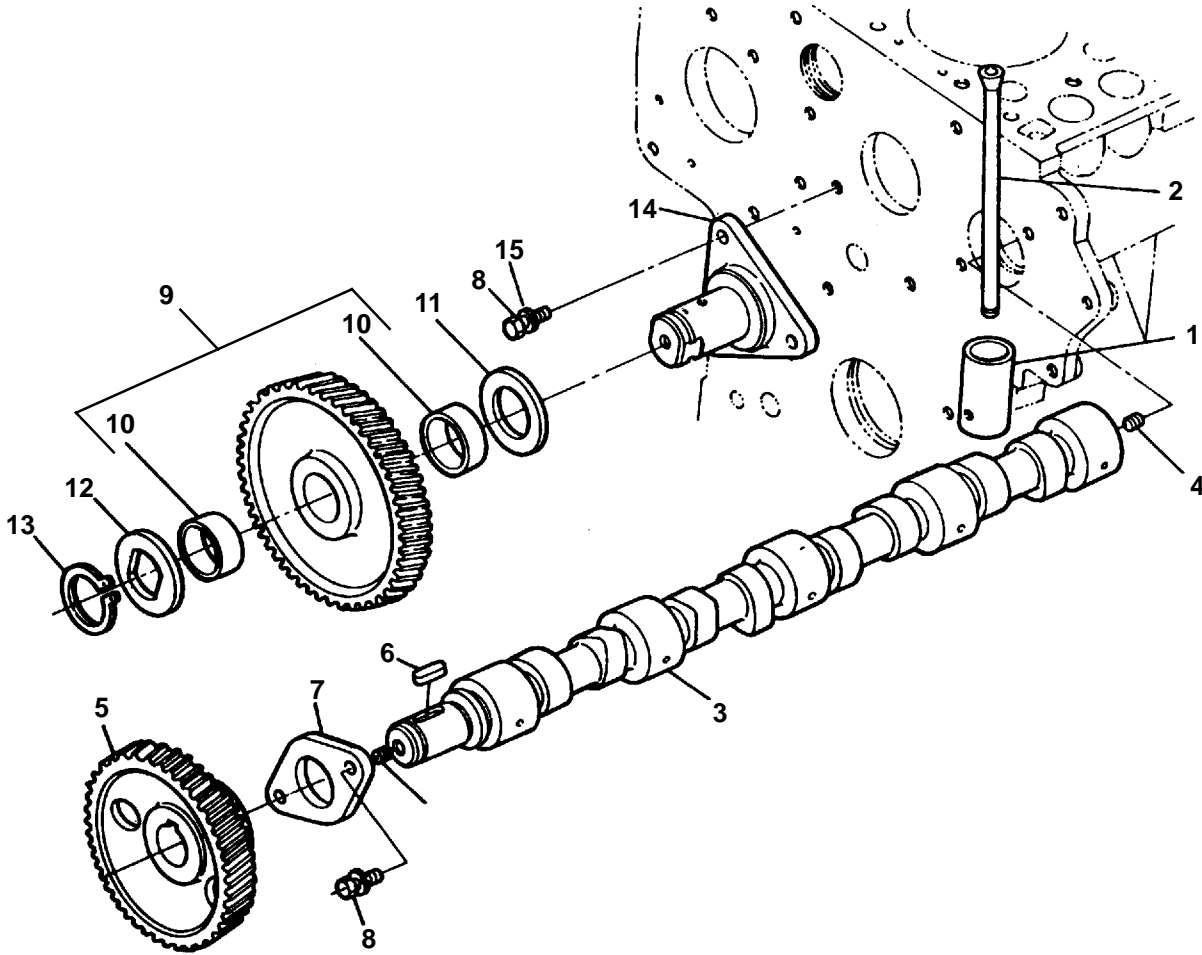
Item	Part Number	Description	Qty
1	25-37140-01	Case, Gear Assembly (With One Piece Oil Pan) - Includes:	1
	25-39050-00	Case, Gear Assembly (With Two Piece Oil Pan) - Includes:	
2	NSS	Case, Gear	1
3	25-37141-00	Plug, Pin (Prior To S/N 22625)	2
	25-36127-00	Plug, Pin (With One Piece Oil Pan)	
	25-39051-00	Plug, Pin (With Two Piece Oil Pan)	
4	25-37142-00	O-Ring	2
5	25-37142-00	O-Ring (Prior To S/N 22625)	1
	25-39046-00	O-Ring (Starting With Engine S/N 22625)	

7. GEAR CASE (Continued)			
Item	Part Number	Description	Qty
6	25-37143-00	O-Ring	1
7	25-37144-00	Pin, Start Spring	1
8	25-37695-00	Pin, Dowel, 6mm Diameter x 12mm Long	2
9	25-37145-00	Gasket, Gear Case (With One Piece Oil Pan)	1
	25-39054-00	Gasket, Gear Case (With Two Piece Oil Pan)	
10	25-37146-00	Bolt, M8 x 60mm Long - Grade 7	2
11	25-37665-00	Bolt, M8 x 70mm Long - Grade 7	5
12	25-35531-00	Washer Plain, M8	1
13	25-37147-00	Bolt, M8 x 80mm Long - Grade 7	3
14	25-37149-00	Bolt, M8 x 95mm Long - Grade 7	2
15	25-35687-00	Washer, Spring Lock, M8	13
16	25-37150-00	Adapter (CT4-114-IDI, 114-DI, 133-DI, 134-DI, 134-TV)	1
	25-39059-00	Adapter (CT4-134-TV-Ultra, 114-TV)	
17	25-37151-00	Washer, Plain, M18 (Prior To S/N 2980)	1
	25-37151-01	Gasket, Copper (Starting With Engine S/N 2980)	
	25-37151-00	Washer, Plain, M18 (CT4-134-TV-Ultra)	
18	25-37152-00	Spring	1
19	25-37153-00	Seat, Valve	1
20	25-37154-00	Ball	1
21	25-37155-00	Flange, Water Return	1
22	25-37156-00	Gasket, Water Flange	1
23	25-35678-00	Bolt, M6 x 20mm Long - Grade 7	3
24	25-37157-00	Adapter, Oil Filter (Prior To S/N 2980)	1
	25-37157-01	Adapter, Oil Filter (Starting With Engine S/N 2980)	
25	25-37092-00	Gasket	1
26	25-37672-00	Stud	4
27	25-35684-00	Nut, M6 - Grade 6	4
28	25-35692-00	Washer, Spring Lock, M6	7
29	25-37159-00	Cover	1
30	25-37158-00	O-Ring	1
31	25-37150-01	Adapter (Starting With Engine S/N 2980)	1
32	30-00323-00	Filter, Oil	1
	30-00463-00	Filter, Oil, Extended Maintenance (Special Adapter Needed, Item 37)	

Note: The following parts are used on Engines with two piece oil pans.

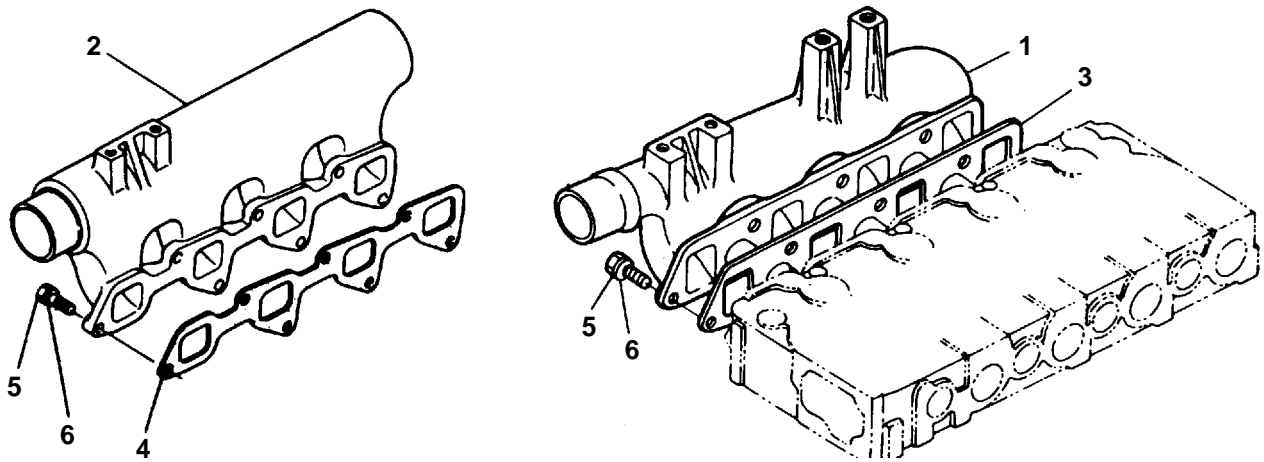
33	25-39055-00	Adapter Base, Oil Filter (With Flanges)	1
34	25-39123-00	Adapter Base, Oil Filter (No Flanges)	
35	25-39056-00	O-Ring (Small)	1
36	25-39057-00	O-Ring (Large)	1
37	25-37150-00	Adapter	1
	25-39321-00	Adapter, Special (Use With Extended Maintenance Oil Filter, Item 32)	
38	25-36683-00	Plug, Pipe	3
39	25-37662-00	Bolt, M8 x 35mm Long - Grade 7	2
	25-39021-00	Bolt (CT4-114-TV)	
40	25-39058-00	Bolt	2
	25-39022-00	Bolt (CT4-114-TV)	

8. CAMSHAFT AND IDLE GEAR SHAFT



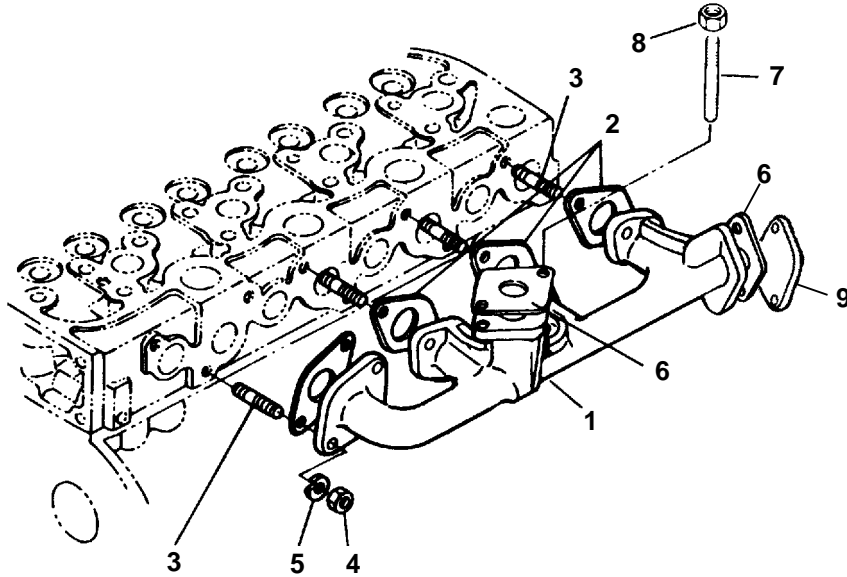
Item	Part Number	Description	Qty
1	25-39100-00	Tappet	8
2	25-37360-00	Push-rod (CT4-114-IDI, 114-DI)	8
	25-38600-00	Push-rod (CT4-133-DI, 134-DI, 134-TV, 114-TV)	
3	25-37350-00	Camshaft Assembly (CT4-114-IDI) - Includes:	1
	25-38105-00	Camshaft Assembly (CT4-114-DI, 133-DI, 134-DI, 134-TV) - Includes:	
	25-39153-00	Camshaft Assembly (CT4-114-TV) - Includes:	
4	NSS	Screw, Set	1
5	25-37352-00	Gear, Camshaft	1
6	25-37700-00	Key Feather	1
7	25-37353-00	Thrust Plate, Camshaft	1
8	25-35680-00	Bolt, M8 x 18mm Long - Grade 7	5
9	25-37354-00	Gear, Idler - Includes:	1
10	25-37354-02	Bushing, Idler Gear	2
11	25-37355-00	Collar	1
12	25-37356-00	Collar	1
13	25-37357-00	Circlip	1
14	25-37358-00	Shaft, Idler Gear	1
15	25-35687-00	Washer, Spring Lock, M8	3

9. INTAKE MANIFOLD



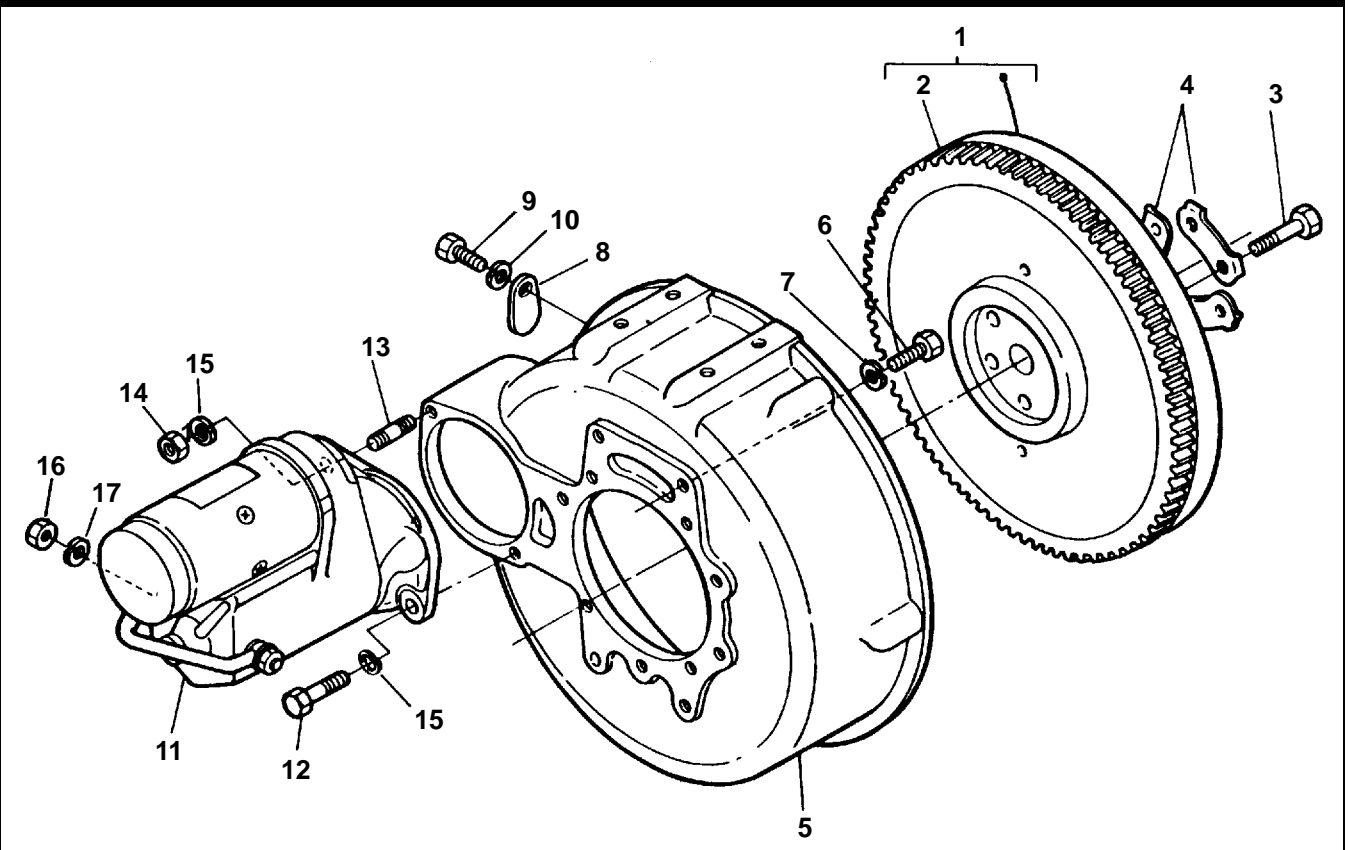
Item	Part Number	Description	Qty
1	25-27230-10	Manifold, Intake (CT4-114-IDI - For Closed Breather)	1
	25-37230-00	Manifold, Intake (CT4-114-IDI - For Open Breather)	
2	25-38075-00	Manifold, Intake (CT4-114-DI - For Open Breather)	1
	25-38565-00	Manifold, Intake (CT4-114-DI, 133-DI, 134-DI - For Closed Breather)	
	25-39075-00	Manifold, Intake (CT4-134-TV, 114-TV - For Closed Breather)	
3	25-37231-00	Gasket, Intake Manifold (CT4-114-IDI)	1
4	25-38076-00	Gasket, Intake Manifold (CT4-114-DI, 133-DI, 134-DI, 134-TV, 114-TV)	
5	25-37659-00	Bolt, M8 x 22mm Long - Grade 7	7
6	25-35687-00	Washer, Spring Lock, M8	7

10. EXHAUST MANIFOLD



Item	Part Number	Description	Qty
1	25-37235-00	Manifold, Exhaust (CT4-114-IDI, 114-DI, 133-DI)	1
	25-39077-00	Manifold, Exhaust (CT4-134-DI, 134-TV, 114-TV)	
2	25-37236-01	Gasket	4
3	25-37237-00	Stud	8
4	25-35685-00	Nut, M8 - Grade 6	8
5	25-35687-00	Washer, Spring Lock, M8	8
6	25-37238-00	Gasket, Exhaust Manifold Outlet Flange	2
7	34-00964-00	Stud, Exhaust (Special)	2
8	34-00932-13	Nut, Hex, 3/8-24 (Brass)	2
9	25-37235-01	Cover, Exhaust Flange	1

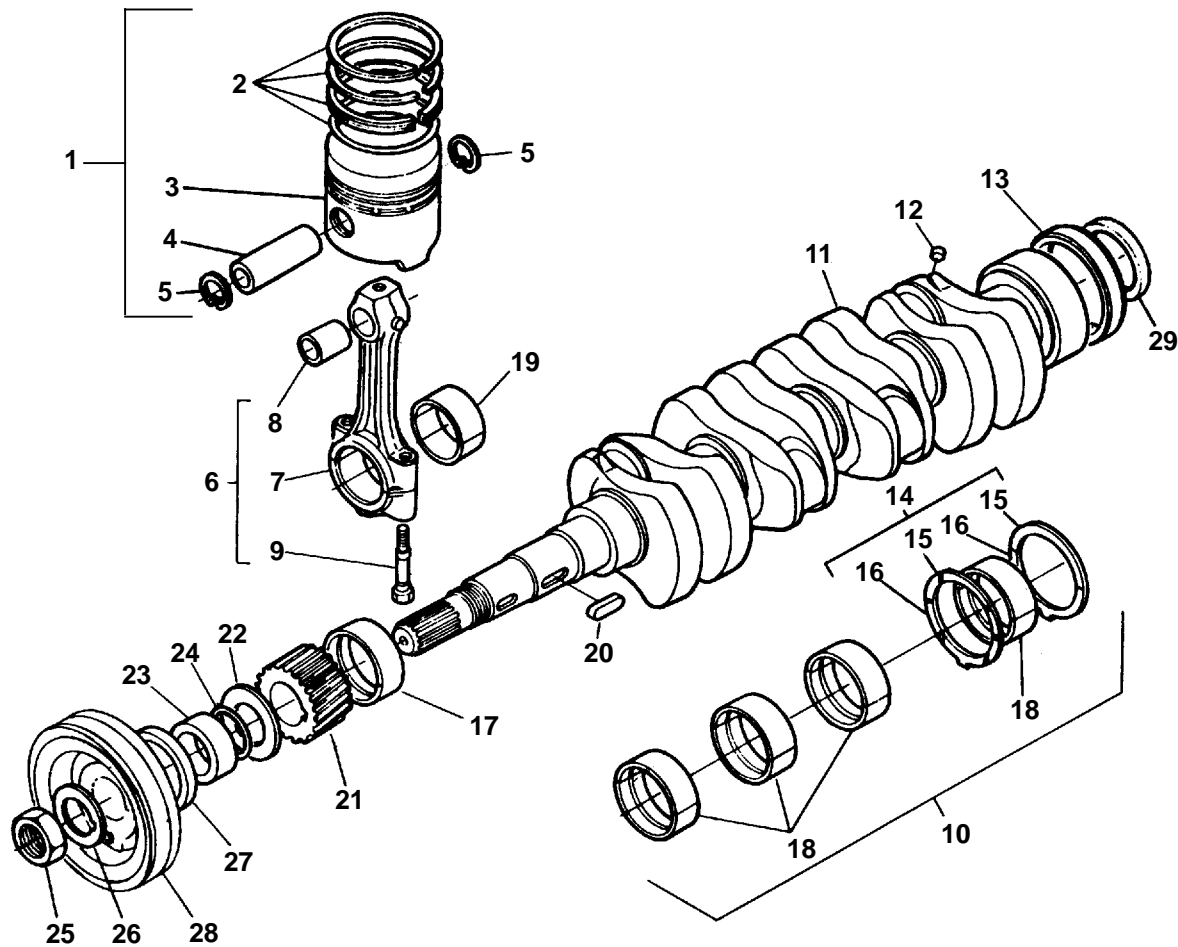
11. FLYWHEEL AND FLYWHEEL HOUSING



Item	Part Number	Description	Qty
1	25-37420-10	Flywheel Assembly (One Piece Oil Pan) - Includes:	1
2	25-37420-12	Gear,Ring (One Piece Oil Pan)	1
1	25-39126-00	Flywheel Assembly (Two Piece Oil Pan) - Includes:	1
2	25-39125-01	Gear,Ring (One Piece Oil Pan)	1
3	25-37421-01	Bolt, Flywheel	6
4	25-37426-00	Washer, Flywheel Locking	3
5	25-37422-01	Housing, Flywheel (CT4-114-IDI, 114-DI)	1
	25-38632-00	Housing, Flywheel (CT4-133-DI, 134-DI, 134-TV, 114-TV) (One Piece Oil Pan)	
	25-39293-00	Housing, Flywheel (CT4-133-DI, 134-DI, 134-TV, 114-TV) (Two Piece Oil Pan)	
6	25-37423-00	Bolt, M10 x 1.25 x 32mm Long - Grade 7 (One Piece Oil Pan)	11
	25-39131-00	Bolt, M10 x 1.25 x 30mm Long - Grade 7 (Two Piece Oil Pan)	
7	25-37690-00	Washer, Spring Lock, M10	11
8	25-37424-00	Cover, Inspection	1
9	25-37425-00	Bolt, M8 x 12mm Long - Grade 7	1
10	25-35687-00	Washer, Spring Lock, M8	1
11	-	Starter - Refer to Section 24.	1
12	25-37663-00	Bolt, M10 x 1.25 x 30mm Long - Grade 7	1
13	25-37670-00	Stud, M10 x 1.25 x 28mm Long - Grade 7	1
14	25-37681-00	Nut, M10 x 1.25 - Grade 7	1
15	25-37690-00	Washer, Spring Lock, M10	2
16	25-37680-00	Nut, M8	1
17	25-35687-00	Washer, Spring Lock, M8	1

12. CRANKSHAFT AND PISTONS

12.1. Crankshaft And Pistons - CT4-114-IDI

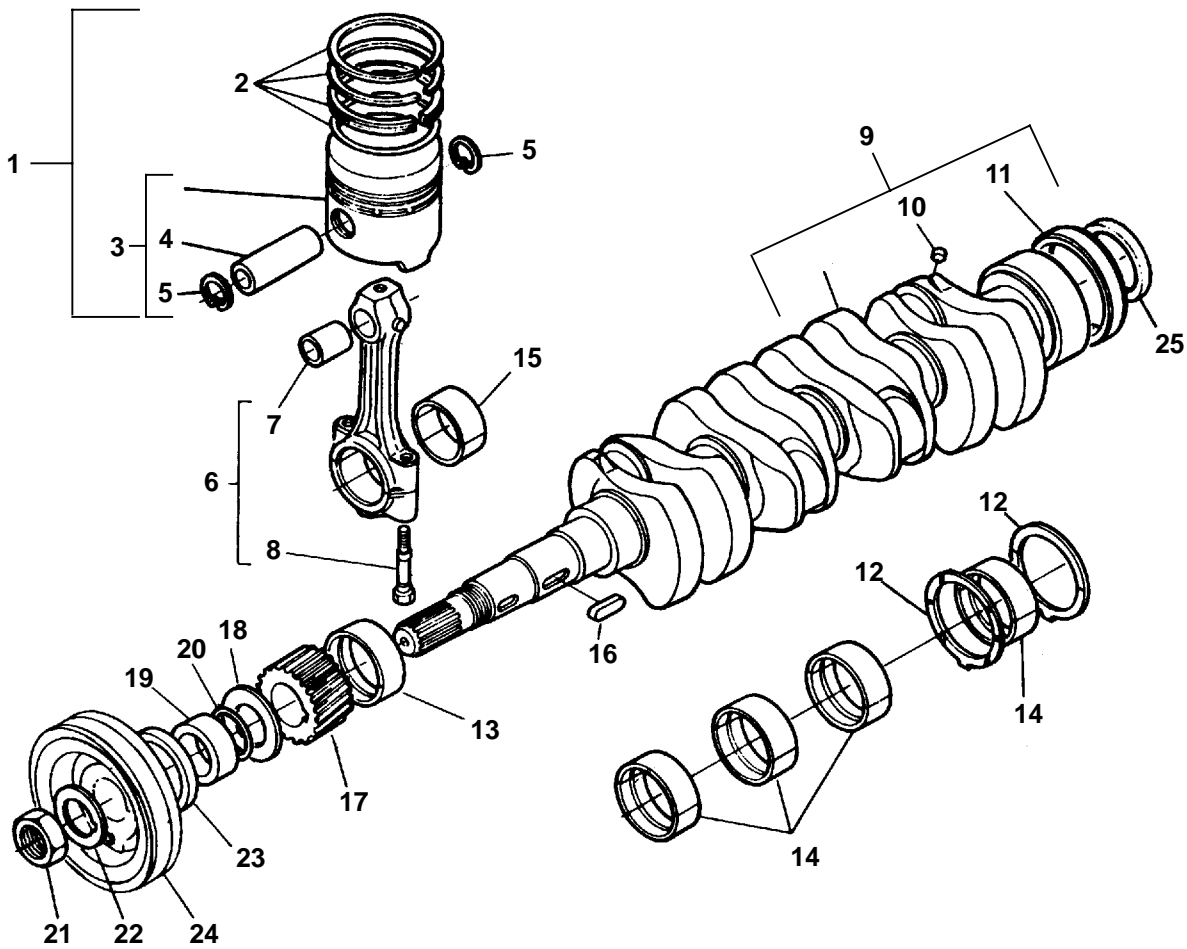


Item	Part Number	Description	Qty
1	25-37417-00	Piston And Ring Assembly (Standard) - Includes:	4
	25-37417-05	Piston And Ring Assembly (+0.5MM) - Includes:	
2	25-37383-00	Ring Set, Piston (Standard)	1
	25-37406-00	Ring Set, Piston (+0.5MM)	
3	NSS	Piston	1
4	NSS	Pin, Piston	1
5	NSS	Cir-Clip, Piston Pin	2
6	25-37384-00	Connecting Rod, Assembly - Includes:	4
7	NSS	Rod Connecting	1
8	25-37401-00	Bushing, Piston Pin (Requires Precision Honing)	1
9	25-37384-13	Bolt, Connecting Rod - Special	2
10	25-37397-00	Kit, Crankshaft, Standard - Includes:	1
11	NSS	Crankshaft	1
12	25-35029-00	Plug, Pin	4
13	25-37385-02	Wear Sleeve, Rear	1

12.1. Crankshaft And Pistons - CT4-114-IDI (Continued)

Item	Part Number	Description	Qty
NS	25-37398-00	Bearing, Set, Complete - Includes:	1
14	25-37399-00	Kit, Thrust washer - Includes:	1
15	NSS	Thrust washer - Upper	2
16	NSS	Thrust washer - Lower	2
17	25-39120-00	Bearing, Crankshaft	1
18	25-38128-00	Bearing, Crankshaft	4
19	25-37384-04	Bearing, Connecting Rod	4
14	25-37409-00	Kit, Thrust washer (+0.2MM) - Includes:	1 Set
15	NSS	Thrust washer - Upper (+0.2MM)	2
16	NSS	Thrust washer - Lower (+0.2MM)	2
14	25-37410-00	Kit, Thrust washer (+0.4MM) - Includes:	1 Set
15	NSS	Thrust washer - Upper (+0.4MM)	2
16	NSS	Thrust washer - Lower (+0.4MM)	2
NS	25-37411-00	Bearing, Set, Crankshaft (+0.2MM) - Includes:	1
17	NSS	Bearing, Crankshaft (+0.2MM)	1
18	NSS	Bearing, Crankshaft (+0.2MM)	4
NS	25-37414-00	Bearing, Set, Crankshaft (+0.4MM) - Includes:	1
17	NSS	Bearing, Crankshaft (+0.4MM)	1
18	NSS	Bearing, Crankshaft (+0.4MM)	4
19	25-37407-00	Bearing, Connecting Rod (+0.2MM)	4
	25-37408-00	Bearing, Connecting Rod (+0.4MM)	
20	25-37700-00	Key, Feather	2
21	25-37386-00	Gear, Crankshaft	1
22	25-37387-00	Slinger, Oil	1
23	25-37388-00	Wear Sleeve, Front	1
24	25-37389-00	O-Ring	1
25	25-37390-00	Nut, Crankshaft	1
26	25-37391-00	Washer, Crankshaft	1
27	25-37396-01	Seal, Oil - Front	1
28	-	Pulley, Crankshaft (Refer to Section 27.)	1
29	25-37198-00	Seal, Oil - Rear	1

12.2. Crankshaft And Pistons - CT4-114-DI , 133-DI, 134-DI, 134-TV, 114-TV



Item	Part Number	Description	Qty
1	25-39117-03	Piston And Ring Assembly (+0.5mm)(CT4-114-TV Prior To S/N 1E) - Includes:	4
2	25-37383-00	Ring Set, Piston (Standard)(CT4-114-DI)	4
	25-37406-00	Ring Set, Piston (+0.5mm)(CT4-114-DI)	
	25-38611-00	Ring Set, Piston (Standard)(CT4-133-DI, 134-DI, 134-TV)	
	25-38611-01	Ring Set, Piston (+0.5mm)(CT4-133-DI, 134-DI, 134-TV)	
	25-39119-00*	Ring Set, Piston (Standard)(CT4-114-TV Prior To S/N 1E)	
	25-39119-01	Ring Set, Piston (+0.5mm)(CT4-114-TV Prior To S/N 1E)	
	25-38124-00	Ring Set, Piston (Standard)(CT4-114-TV Starting With S/N 1E)	
	25-38124-01	Ring Set, Piston (+0.25mm)(CT4-114-TV Starting With S/N 1E)	

* Note: P/N 25-38119-00 Ring Sets are NO LONGER OFFERED; use P/N 25-38124-00 Ring Set with P/N 25-39412-00 Pistons.

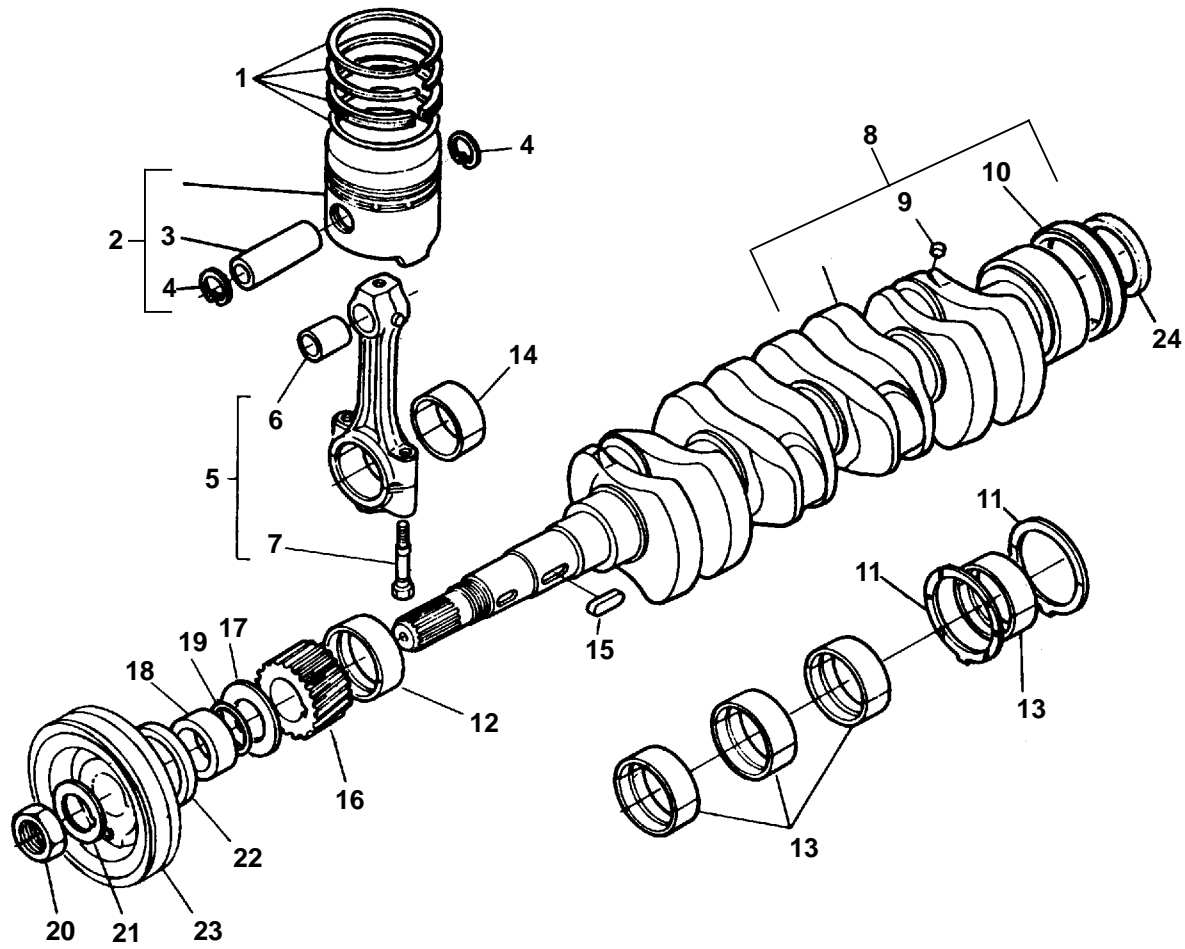
3	25-38115-11	Piston Assembly (Standard)(CT4-114-DI) - Includes:	4
	25-38115-02	Piston Assembly (+0.5mm)(CT4-114-DI) - Includes:	
	25-39127-01	Piston Assembly (Standard)(CT4-133-DI, 134-DI) - Includes:	
	25-39128-01	Piston Assembly (+0.5mm)(CT4-133-DI, 134-DI) - Includes:	
	25-39110-01**	Piston Assembly (Standard)(CT4-134-TV Prior To S/N 210389) - Includes:	

12.2. Crankshaft And Pistons - CT4-114-DI , 133-DI, 134-DI, 134-TV, 114-TV (Continued)

Item	Part Number	Description	Qty
3	25-39110-03**	Piston Assembly (+0.5mm) (CT4-134-TV Prior To S/N 210389) - Includes:	4
	25-39176-01**	Piston Assembly (Standard) (CT4-134-TV Starting With S/N 210389) - Includes:	
	25-39415-00	Piston Assembly (+0.5mm) (CT4-134-TV Starting With S/N 210389) - Includes:	
	25-39412-00	Piston Assembly (Standard) (CT4-114-TV) - Includes:	
	25-39413-00	Piston Assembly (+0.25mm) (CT4-114-TV) - Includes:	
4	25-38118-00	Pin, Piston	1
5	25-38612-00	Circlip, Piston Pin	4
6	25-39112-00	Connecting Rod Assembly - Includes:	4
7	25-38121-00	Bushing, Piston Pin	1
8	25-37384-13	Bolt, Connecting Rod (Special)	2
9	25-38125-02	Kit, Crankshaft, Standard (CT4-114-DI Reman) - Includes:	1
	25-38613-01	Kit, Crankshaft, Standard (CT4-133-DI) - Includes:	
	25-39116-01	Kit, Crankshaft, Standard (CT4-114-TV, 134-DI, 134-TV) - Includes:	
10	25-38614-00	Plug, Pin	4
11	25-37385-02	Wear Sleeve-Rear	1
12	25-37399-00	Kit, Thrust washer Standard	1 Set
13	25-39120-00	Bearing, Crankshaft #1 Front Main, Standard	1
14	25-39121-00	Bearing, Crankshaft Main, Standard	4
15	25-39122-00	Bearing, Connecting Rod, Standard	4
12	25-37409-00	Kit, Thrust washer (+0.2mm)	1 Set
	25-37410-00	Kit, Thrust washer (+0.4mm)	
NS	25-38126-00	Bearing Set, Crankshaft Standard - Includes:	1
13	25-39120-00	Bearing, Crankshaft #1 Front Main Standard	1
14	25-39121-00	Bearing, Crankshaft Main Standard	4
NS	25-38126-01	Bearing Set, Crankshaft (+0.2mm) - Includes:	1
13	NSS	Bearing, Crankshaft #1 Front Main (+0.2mm)	1
14	NSS	Bearing, Crankshaft Main (+0.2mm)	4
NS	25-38126-02	Bearing Set, Crankshaft (+0.4mm) - Includes:	1
13	NSS	Bearing, Crankshaft #1 Front Main (+0.4mm)	1
14	NSS	Bearing, Crankshaft Main (+0.4mm)	4
15	25-38122-01	Bearing, Connecting Rod (+0.2mm)	4
	25-38122-02	Bearing, Connecting Rod (+0.4mm)	
16	25-37700-00	Key, Feather	2
17	25-37386-00	Gear, Crankshaft	1
18	25-37387-00	Slinger, Oil	1
19	25-37388-00	Wear Sleeve, Front	1
20	25-37389-00	O-Ring	1
21	25-37390-00	Nut, Crankshaft	1
22	25-37391-00	Washer, Crankshaft	1
23	25-37396-01	Seal, Oil - Front	1
24	-	Pulley, Crankshaft (Refer to Section 27.)	1
25	25-37198-00	Seal, Oil - Rear	1

****Note: P/N 25-39176-01 And -03 Pistons can be used in prior to S/N 210389 engines if used in full sets.**

12.3. Crankshaft And Pistons - CT4-114-TV ,134-TV (S/N 3S0001 Thru 4A0001 Only)

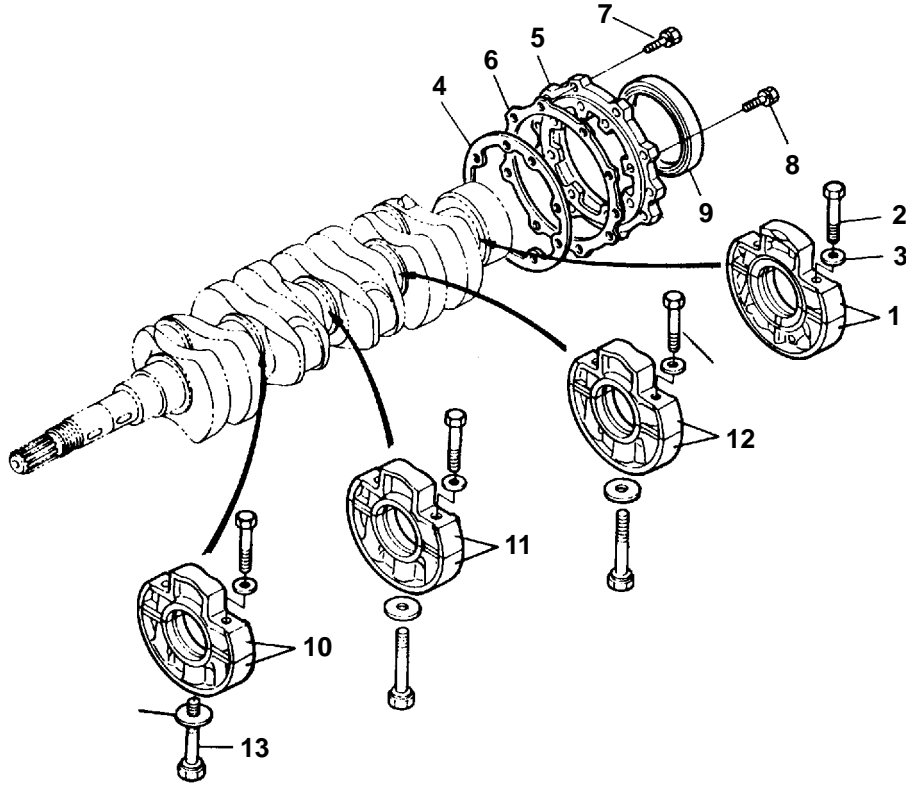


Item	Part Number	Description	Qty
1	25-38611-00	Ring Set, Piston (Standard) (CT4-134-TV)	4
	25-38611-01	Ring Set, Piston (+0.5mm) (CT4-134-TV)	
	25-38124-00	Ring Set, Piston (Standard) (CT4-114-TV)	
	25-38124-01	Ring Set, Piston (+0.25mm) (CT4-114-TV)	
2	25-39176-01	Piston Assembly (Standard) (CT4-134-TV) - Includes:	4
	25-39176-03	Piston Assembly (+0.5mm) (CT4-134-TV) - Includes:	
	25-39412-00	Piston Assembly (Standard) (CT4-114-TV) - Includes:	
	25-39413-00	Piston Assembly (+0.5mm) (CT4-114-TV) - Includes:	
3	25-38118-00	Pin, Piston	1
4	25-38612-00	Circlip, Piston Pin	4
5	25-39112-00	Connecting Rod Assembly - Includes:	4
6	25-38121-00	Bushing, Piston Pin	1
7	25-37384-13	Bolt, Connecting Rod (Special)	2
8	25-39341-00	Crankshaft Assembly - Includes:	1
9	25-34169-00	Ball	1
10	25-37385-02	Wear Sleeve	1

12.3. Crankshaft And Pistons - CT4-114-TV ,134-TV (S/N 3S0001 Thru 4A0001 Only)

Item	Part Number	Description	Qty
11	25-39403-00	Kit, Thrust washer, Standard	1
	25-39404-00	Kit, Thrust washer (+0.2mm)	
	25-39405-00	Kit, Thrust washer (+0.4mm)	
12	25-39400-00	Bearing, Crankshaft #1 Front Main, Standard	1
	25-39401-00	Bearing, Crankshaft #1 Front Main (+0.2mm)	
	25-39402-00	Bearing, Crankshaft #1 Front Main (+0.4mm)	
13	25-39378-00	Bearing, Crankshaft Main, Standard	1
	25-39379-00	Bearing, Crankshaft Main (+0.2mm)	
	25-39380-00	Bearing, Crankshaft Main (+0.4mm)	
14	25-39122-00	Bearing, Connecting Rod, Standard	1
	25-38122-01	Bearing, Connecting Rod (+0.2mm)	
	25-38122-02	Bearing, Connecting Rod (+0.4mm)	
15	25-37700-00	Key, Feather	2
16	25-37386-00	Gear, Crankshaft	1
17	25-37387-00	Slinger, Oil	1
18	25-37388-00	Wear Sleeve, Front	1
19	25-37389-00	O-Ring	1
20	25-37390-00	Nut, Crankshaft	1
21	25-37391-00	Washer, Crankshaft	1
22	25-37396-01	Seal, Oil - Front	1
23	-	Pulley, Crankshaft (Refer to Section 27.)	1
24	25-37198-00	Seal, Oil - Rear	1

13. MAIN BEARING CASE



Item	Part Number	Description	Qty
1	25-38290-00	Case, Main Bearing, #4 (CT4-114-IDI, 114-DI)	1
	25-38550-00	Case, Main Bearing, #4 (CT4-133-DI, 134-DI, 134-TV, 114-TV)	
2	25-37186-00	Bolt, Special (CT4-114-IDI, 114-DI)	8
	25-38544-00	Bolt, Special (CT4-133-DI, 134-DI, 134-TV, 114-TV)	
3	25-37187-00	Washer, Plain	8
4	25-37195-01	Gasket, Bearing (CT4-114-IDI, 114-DI)	1
	25-38557-00	Gasket, Bearing (CT4-133-DI, 134-DI, 134-TV, 114-TV)	
5	25-37193-00	Cover, Bearing Case (CT4-114-IDI, 114-DI)	1
	25-38558-00	Cover, Bearing Case (CT4-133-DI, 134-DI, 134-TV, 114-TV)	
6	25-37194-00	Gasket, Cover (CT4-114-IDI, 114-DI)	1
	25-38717-00	Gasket, Cover (CT4-133-DI, 134-DI, 134-TV, 114-TV)	
7	25-37660-00	Bolt M8 x 25mm Long - Grade 7	8
8	25-35681-00	Bolt M8 x 28mm Long - Grade 7	8
9	25-37197-00	Seal, Oil	1

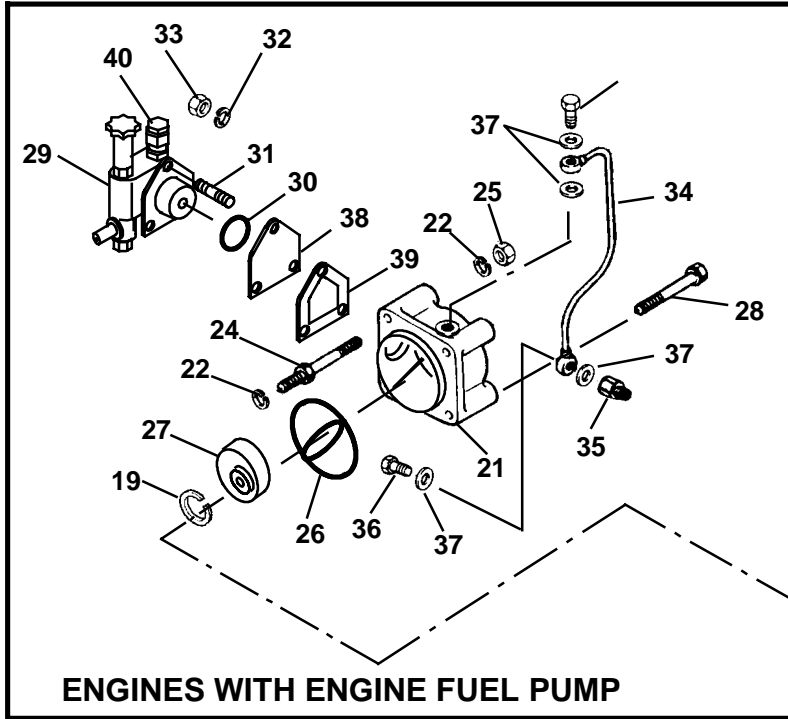
13. MAIN BEARING CASE (Continued)

Item	Part Number	Description	Qty
10	25-37188-00	Case, Main Bearing, #1 (CT4-114-IDI)	1
	25-38065-00	Case, Main Bearing, #1 (CT4-114-DI)	
	25-38551-00	Case, Main Bearing, #1 (CT4-133-DI, 134-DI, 134-TV, 114-TV)	
11	25-37189-00	Case, Main Bearing, #2 (CT4-114-IDI)	1
	25-38066-00	Case, Main Bearing, #2 (CT4-114-DI)	
	25-38552-00	Case, Main Bearing, #2 (CT4-133-DI, 134-DI, 134-TV, 114-TV)	
12	25-37190-00	Case, Main Bearing, #3 (CT4-114-IDI)	1
	25-38067-00	Case, Main Bearing, #3 (CT4-114-DI)	
	25-38553-00	Case, Main Bearing, #3 (CT4-133-DI, 134-DI, 134-TV, 114-TV)	
13	25-37191-01	Bolt, Bearing Case	3
14	25-37192-00	Washer, Plain	3

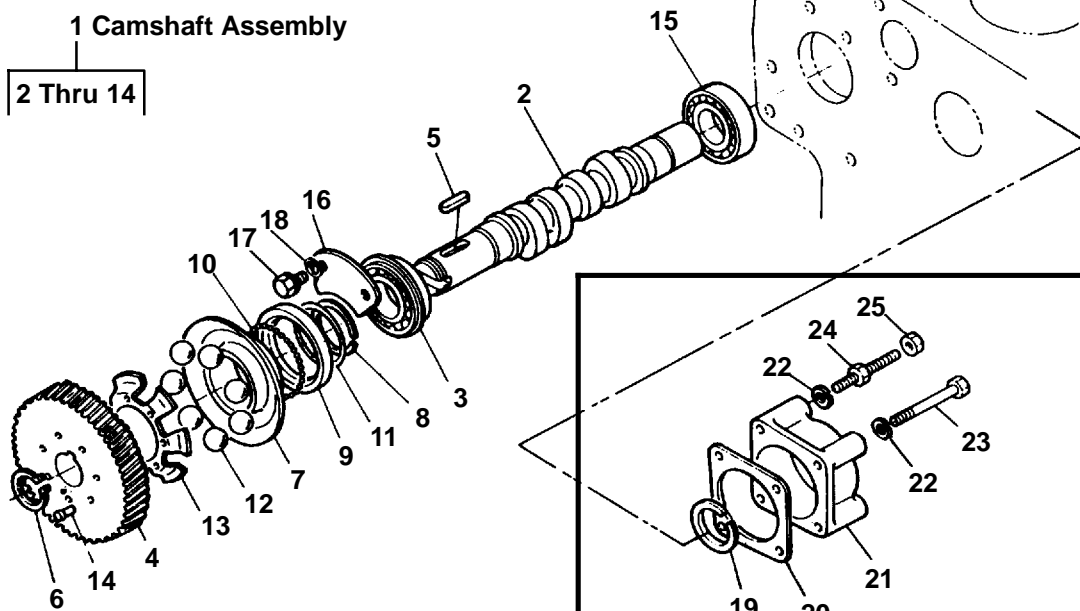
13.1. Main Bearing Case (Engines With S/N 3S0001 Thru 4A0001)

1	25-39371-00	Case, Main Bearing, #4	1
2	25-39372-00	Bolt, Special	8
4	25-39376-00	Gasket, Bearing	1
5	25-39377-00	Cover, Bearing Case	1
6	25-38717-00	Gasket, Cover	1
7	25-37660-00	Bolt M8 x 25mm Long - Grade 7	8
8	25-35681-00	Bolt M8 x 28mm Long - Grade 7	8
9	25-37197-00	Seal, Oil	1
10	25-39373-00	Case, Main Bearing, #1	1
11	25-39374-00	Case, Main Bearing, #2	1
12	25-39375-00	Case, Main Bearing, #3	1
13	25-37191-00	Bolt, Bearing Case	3

14. FUEL CAMSHAFT



1 Camshaft Assembly
2 Thru 14



Item	Part Number	Description	Qty
1	25-38160-05	Camshaft Assembly, Fuel (CT4-114-DI Starting With S/N 12607) - Includes:	1
	25-37430-05	Camshaft Assembly, Fuel (CT4-114-IDI Starting With S/N 48630) - Includes:	
	25-38655-00	Camshaft Assembly, Fuel (CT4-133-DI, 134-DI) - Includes:	
	25-39180-00	Camshaft Assembly, Fuel (CT4-134-TV, 114-TV) - Includes:	
2	NSS	Camshaft, Fuel	1
3	25-37431-00	Bearing, Fuel Camshaft	1

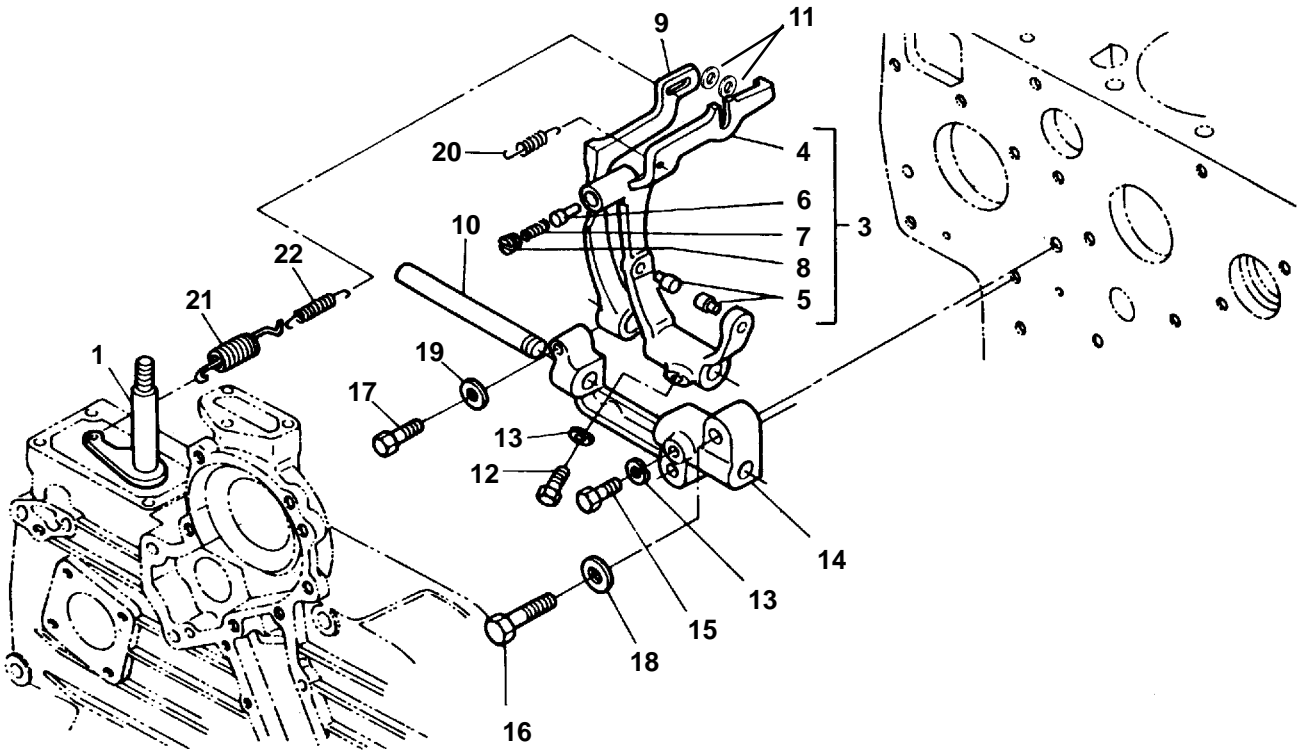
14. FUEL CAMSHAFT (Continued)

Item	Part Number	Description	Qty
4	25-37432-00	Gear, Injection Pump (CT4-114-IDI)	1
	25-38163-01	Gear, Injection Pump (CT4-114-DI, 133-DI, 134-DI)	
	25-39182-00	Gear, Injection Pump (CT4-134-TV, 114-TV)	
5	25-37433-00	Key, Feather	1
6	25-37434-00	Circlip	1
7	25-38165-00	Sleeve, Governor (CT4-114-DI, 133-DI, 134-DI, CT4-134-TV, 114-TV)	1
	25-37435-00	Sleeve, Governor (CT4-114-IDI)	
8	25-37436-00	Circlip	1
9	25-38167-00	Case, Governor Ball	1
10	25-35389-00	Ball	39
11	25-37438-00	Circlip, Ball Case	1
12	25-37439-00	Ball Governor (CT4-114-IDI)	7
	25-38169-00	Ball Governor (CT4-114-DI, 133-DI, 134-DI, CT4-134-TV, 114-TV)	
13	25-37440-00	Guide, Governor Ball (CT4-114-IDI)	1
14	25-37441-00	Rivet (CT4-114-IDI)	7
15	25-37442-00	Bearing (Without Fuel Pump)	1
	25-38660-00	Bearing (With Fuel Pump)	
16	25-37443-00	Plate, Retaining (One Piece Oil Pan)	1
	25-39183-00	Plate, Retaining (Two Piece Oil Pan)	
17	944030	Bolt, M8 x 14mm Long - Grade 7	2
18	25-35687-00	Washer, Spring Lock, M8	3
19	25-37447-00	Circlip	1
20	25-37446-00	Gasket, Cover	1
21	25-37445-00	Cover, Fuel Camshaft (Without Fuel Pump)	1
	25-38663-00	Cover, Fuel Camshaft (With Fuel Pump)	
22	25-37690-00	Washer, Spring Lock, M10	2
23	25-37449-00	Bolt, M10 x 50mm Long - Grade 7	2
24	25-38662-00	Stud	2
25	25-37681-00	Nut, Hex, M10	2
26	25-38664-00	O-Ring, Fuel Camshaft Cover	1
27	25-38661-00	Cam, Lift Pump	1
28	25-38665-00	Bolt, M10 x 1.25 x 75mm Long	2
29	25-38666-00	Pump Assembly, Fuel - Refer to Section 25. Item 1	1
30	25-38667-00	O-Ring, Lift Pump	1
31	25-36715-00	Stud, M6	3
32	25-35692-00	Washer, Lock, M6	3
33	25-35684-00	Nut, Hex, M6	3
34	25-38668-00	Pipe, Oil Line	1
35	25-38669-00	Adapter, Oil Fitting	1
36	25-38670-00	Bolt, Banjo	2
37	25-35136-05	Gasket, Banjo Bolt	4
38	25-38673-00	Cover, Fuel Pump (Used When Item 29 Is Not Used)	1
39	25-38674-00	Gasket, Fuel Pump (Used When Item 29 Is Not Used)	1
40	25-37594-00	Joint, Eye - Banjo Fitting	1

Note: For CT4-114-DI prior to S/N 48630 use P/N 25-37430-05 and items 21, 23, 24, 25, 27 and 30 to 38.

15. GOVERNOR

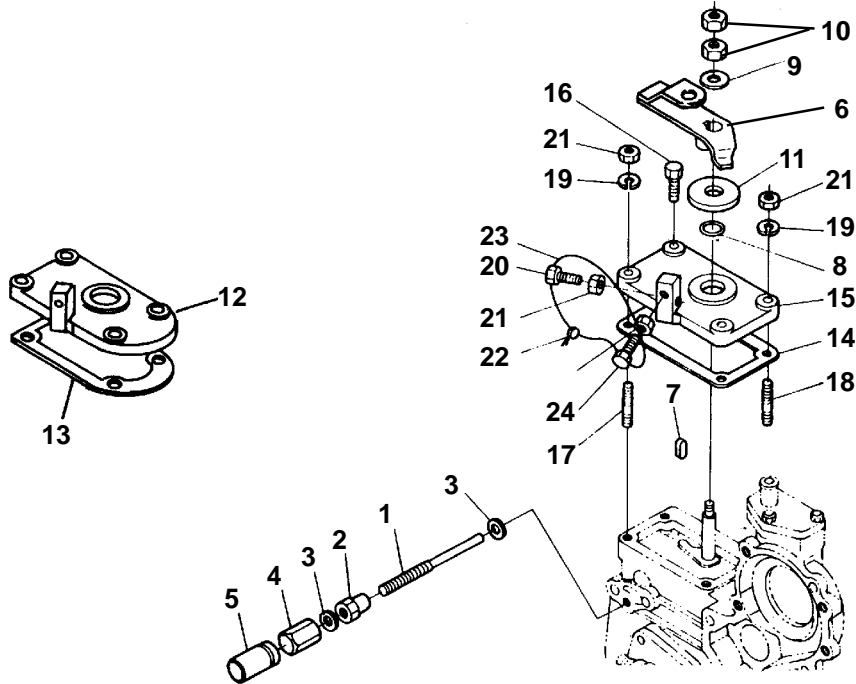
2
3 Thru 15



15. GOVERNOR (Continued)

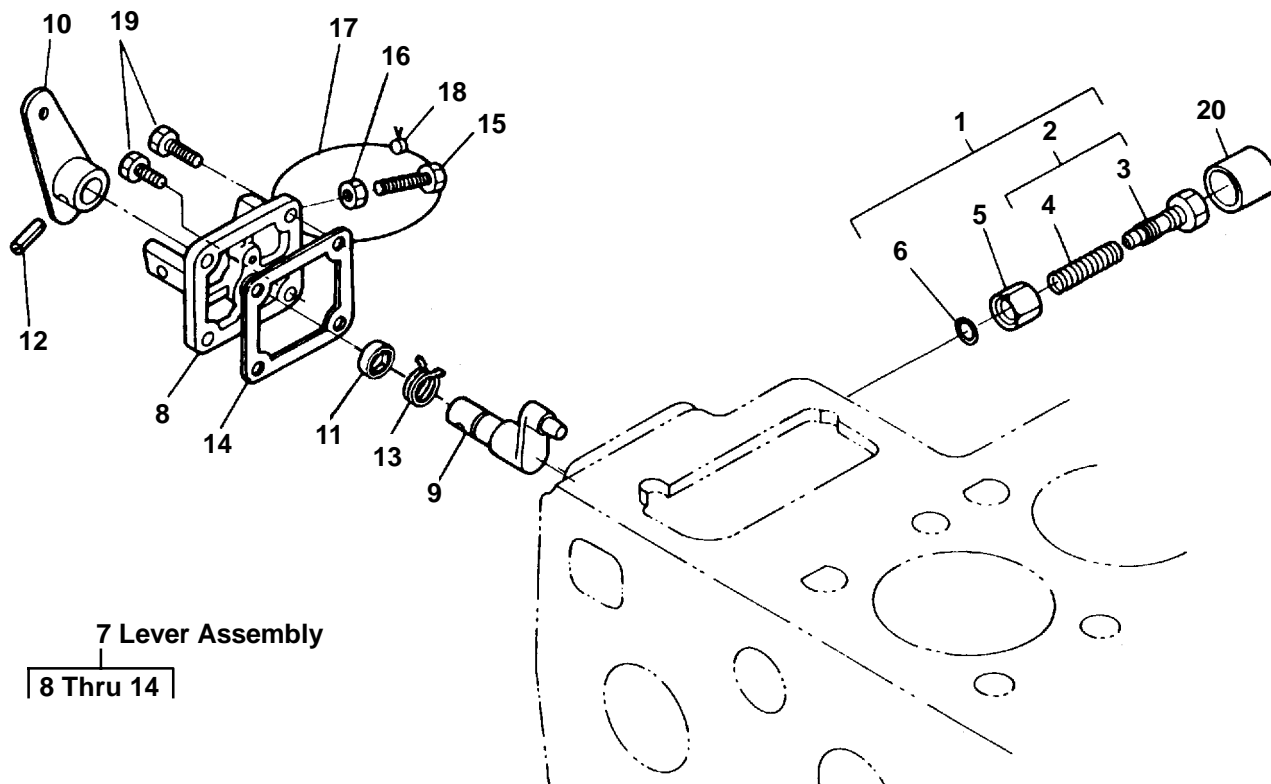
Item	Part Number	Description	Qty
1	25-37460-00	Lever, Governor (CT4-114-IDI, 114-DI, 133-DI, 134-DI, 134-TV)	1
	25-39210-00	Lever, Governor (CT4-134-TV-ULTRA, 114-TV)	
2	25-37461-00	Lever Assembly, Fork (CT4-114-IDI) - Includes:	1
	25-38175-00	Lever Assembly, Fork (CT4-114-DI) - Includes:	
	25-38675-00	Lever Assembly, Fork (CT4-133-DI 134-DI) - Includes:	
	25-39205-00	Lever Assembly, Fork (CT4-134-TV) - Includes:	
	25-39211-00	Lever Assembly, Fork (CT4-134-TV-ULTRA, 114-TV) - Includes:	
3	25-37462-00	Lever Assembly, Fork (CT4-114-IDI, 114-DI) - Includes:	1
	25-38676-00	Lever Assembly, Fork (CT4-133-DI 134-DI) - Includes:	
	NSS	Lever Assembly, Fork (CT4-134-TV) - Includes:	
4	NSS	Lever, Fork	1
5	NSS	Pin, Fork Lever	2
6	NSS	Pin	1
7	25-37465-00	Spring	1
8	25-37466-00	Screw, Set	1
9	NSS	Lever, Fork	1
10	25-37468-00	Shaft, Lever	1
11	25-39213-00	Washer, Plain (Between items 4 and 9)	1
12	25-37469-00	Bolt (Special)	1
13	25-35692-00	Washer, Spring Lock, M6	2
14	NSS	Holder, Fork, Lever	1
15	25-35354-00	Bolt (Special)	1
16	25-37471-00	Bolt, M8 x 32mm Long - Grade 7	2
17	25-37472-00	Bolt, M6 x 28mm Long - Grade 7	1
18	25-35531-00	Washer, Plain, M8	2
19	PL	Washer, Plain, M6	1
20	25-37473-00	Spring, Start (Two Piece Oil Pan)	1
	25-38180-00	Spring, Start (One Piece Oil Pan)	
21	25-38182-00	Spring, Governor (CT4-114-DI, 133-DI)	1
	25-39208-00	Spring, Governor (CT4-134-DI, 134-TV)	
	25-39214-00	Spring, Governor (CT4-134-TV-ULTRA, 114-TV)	
22	25-37474-01	Spring, Governor (CT4-114-IDI)	1
	25-37474-00	Spring, Governor (CT4-114-DI)	
	25-38408-00	Spring, Governor (CT4-133-DI)	
	25-38182-00	Spring, Governor (CT4-134-DI, 134-TV)	
	25-39219-00	Spring, Governor (CT4-134-DI Gen Set)	

16. SPEED CONTROL PLATE



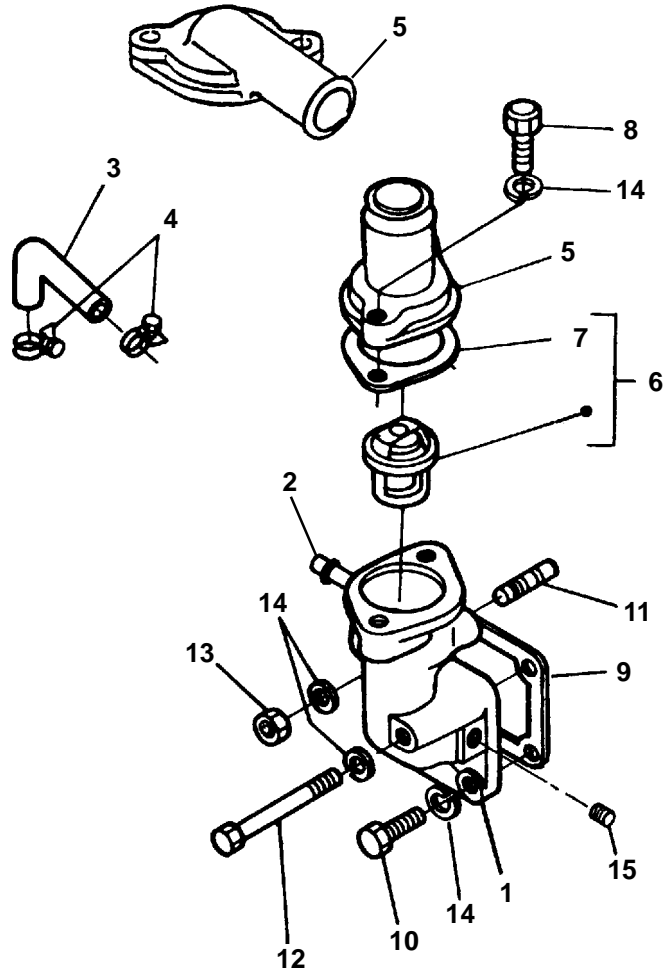
Item	Part Number	Description	Qty
1	25-37490-00	Bolt, Adjusting (CT4-114-IDI, 114-DI, 133-DI, 134-DI, 134-TV, 114-TV)	1
	25-39190-00	Bolt, Adjusting (CT4-134-TV-ULTRA)	
2	25-37491-00	Nut, Special	1
3	25-37492-00	Gasket, Copper O-Ring	2
4	25-37493-00	Nut, Cap (One Piece Oil Pan)	1
	25-39191-00	Nut, Cap (Two Piece Oil Pan)	
5	25-34259-00	Cover, Cap Nut	1
6	25-37503-00SV	Lever, Speed Control	1
7	25-37496-00	Key, Feather	1
8	25-39200-00	Seal, O-Ring	1
9	25-37686-00	Washer, Plain, M8	1
10	25-35524-00	Nut, M8 - Grade 4	2
11	25-37498-00	Plate, Friction (One Piece Oil Pan)	1
	25-39193-00	Plate, Friction (Two Piece Oil Pan)	
12	25-39194-01	Plate, Speed Control - Includes:	1
13	25-37500-01	Gasket, Speed Control Plate	1
14	25-37091-00	Gasket, Speed Control Plate - Use with 'Square' Speed Control Plate - Item 15 (No Longer Offered)	1
16	25-35678-00	Bolt, M6 X 20mm Long - Grade 7	2
17	25-37672-00	Stud, M6	1
18	25-39195-00	Stud, M6 X 22mm Long	2
19	25-35692-00	Washer, Spring Lock, M6	2
20	25-38705-00	Bolt	1
21	25-35684-00	Nut, M6	4
22	PL	Lead, Sealing	A/R
23	PL	Wire, Safety	A/R
24	25-37502-00	Bolt, Safety, M6 X 40mm Long	1

17. ENGINE STOP LEVER



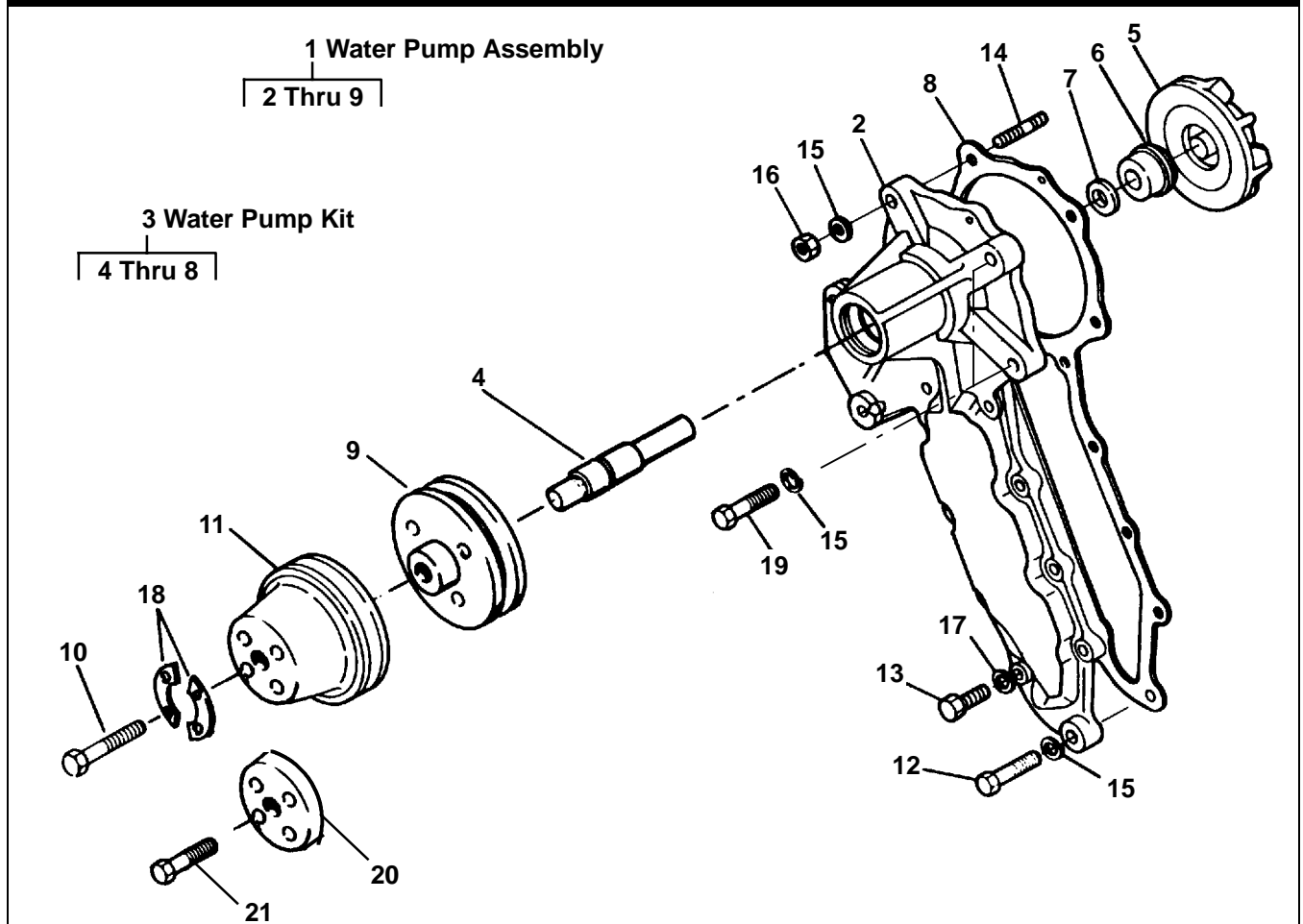
Item	Part Number	Description	Qty
1	25-37525-00	Idle, Assembly - Includes:	1
2	NSS	Bolt Assembly, Adjusting - Includes:	1
3	NSS	Bolt, Adjusting	1
4	NSS	Spring	1
5	NSS	Nut	1
6	25-37530-00	Seal, O-Ring	1
7	25-37531-00SV	Lever Assembly, Engine Stop (CT4-114-IDI) - Includes:	1
	25-38710-01	Lever Assembly, Engine Stop (CT4-114-DI, 134-DI, 134-TV) - Includes:	
	25-39215-00SV	Lever Assembly, Engine Stop (CT4-134-TV Ultra, 114-TV) - Includes:	
8	NSS	Cover	1
9	NSS	Shaft, Lever	1
10	NSS	Lever	1
11	25-36830-00	Seal, Oil	1
12	NSS	Pin, Spring	1
13	25-39218-00	Spring, Return (Two Piece Oil Pan)	1
14	25-37537-00	Gasket, Pump Cover	1
15	25-38705-00	Bolt	1
16	25-35684-00	Nut, Hex, M6	1
17	PL	Lead, Sealing	A/R
18	PL	Wire, Safety	A/R
19	25-35677-00	Bolt, M6 x 18mm Long	4
20	25-37538-00	Cap, Dust	1

18. THERMOSTAT



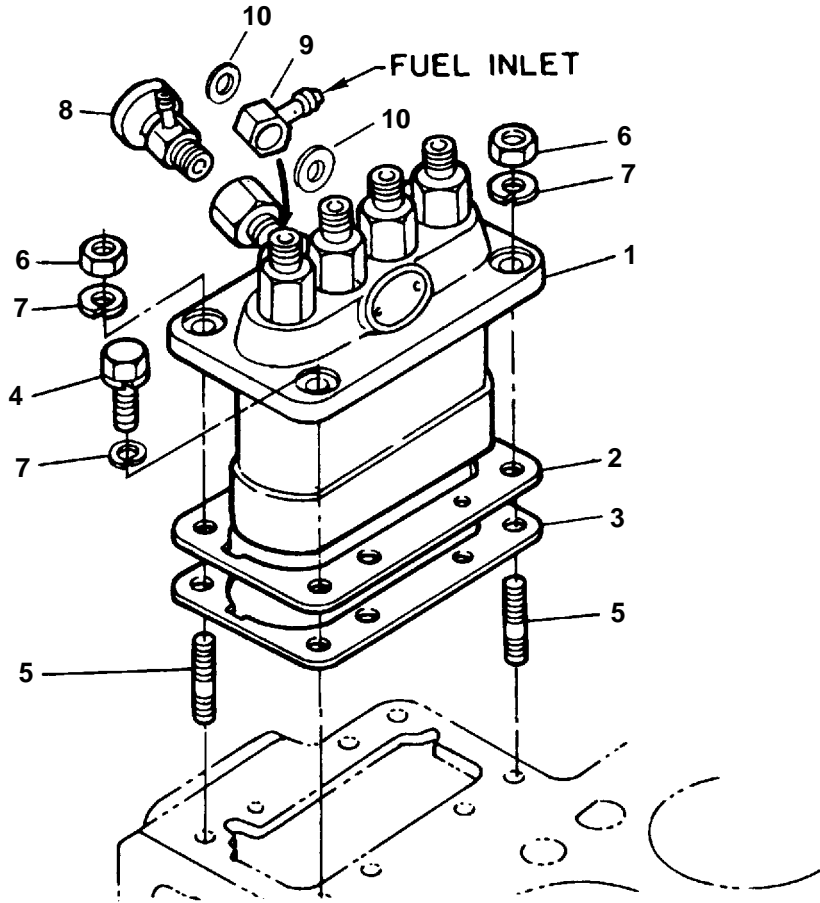
Item	Part Number	Description	Qty
1	25-37560-01	Housing, Thermostat - Includes:	1
2	25-39235-00	Pipe, Water Return	1
3	25-37556-00	Hose, Water Return	1
4	PL	Clamp, Worm	2
5	25-37557-00	Cover, Thermostat	1
	25-38735-00	Cover, Thermostat (90_ Used On Container Gen Set)	
6	25-37559-01	Thermostat, Kit (CT4-114-IDI, 114-DI, 133-DI, 134-DI) - Includes:	1
	25-39236-01	Thermostat, Kit (CT4-134-TV, 114-TV) - Includes:	
7	25-37558-00	Gasket	1
8	25-37662-00	Bolt, M8 x 35MM - Grade 7	2
9	25-37561-00	Gasket, Thermostat Housing	1
10	25-37659-00	Bolt, M8 x 22MM Long - Grade 7	2
11	25-35488-00	Stud, M8 x 22MM Long - Grade 7	1
12	25-37664-00	Bolt, M8 x 65MM Long - Grade 7	1
13	25-35685-00	Nut, Hex M8 - Grade 6	1
14	25-35687-00	Washer, Spring, M8	5
15	25-36683-00	Plug	1

19. WATER PUMP



Item	Part Number	Description	Qty
1	25-37581-10	Pump Assembly, Water - Includes:	1
2	NSS	Body, Water Pump	1
3	25-37580-20	Kit, Water Pump - Includes:	1
4	NSS	Shaft, Water Pump	1
5	NSS	Impeller, Water Pump	1
6	NSS	Seal, Water Pump	1
7	NSS	Slinger	1
8	25-37574-00	Gasket, Water Pump	1
9	25-37580-05	Flange, Water Pump	1
10	25-35675-00	Bolt	4
11	-	Pulley, Water Pump (Refer To Section 27.)	4
12	25-37148-00	Bolt, M8 X 87mm Long - Grade 7	3
13	25-35677-00	Bolt, M6 X 28mm Long - Grade 7	8
14	25-37671-00	Stud, M8 X 22mm Long - Grade 7	2
15	25-35687-00	Washer, Spring, M8	7
16	25-35685-00	Nut, Hex M8	2
17	25-35692-00	Washer, Spring, M6	8
18	25-37580-08	Retainer	2
19	25-35681-00	Bolt, M8 X 28mm Long - Grade 7	2
20	25-39226-00	Adapter, Fan (CT4-134-TV-Ultra, 114-TV)	1
21	25-39227-00	Bolt, M6 X 30mm Long - Grade 7 (CT4-134-TV-Ultra, 114-TV)	4

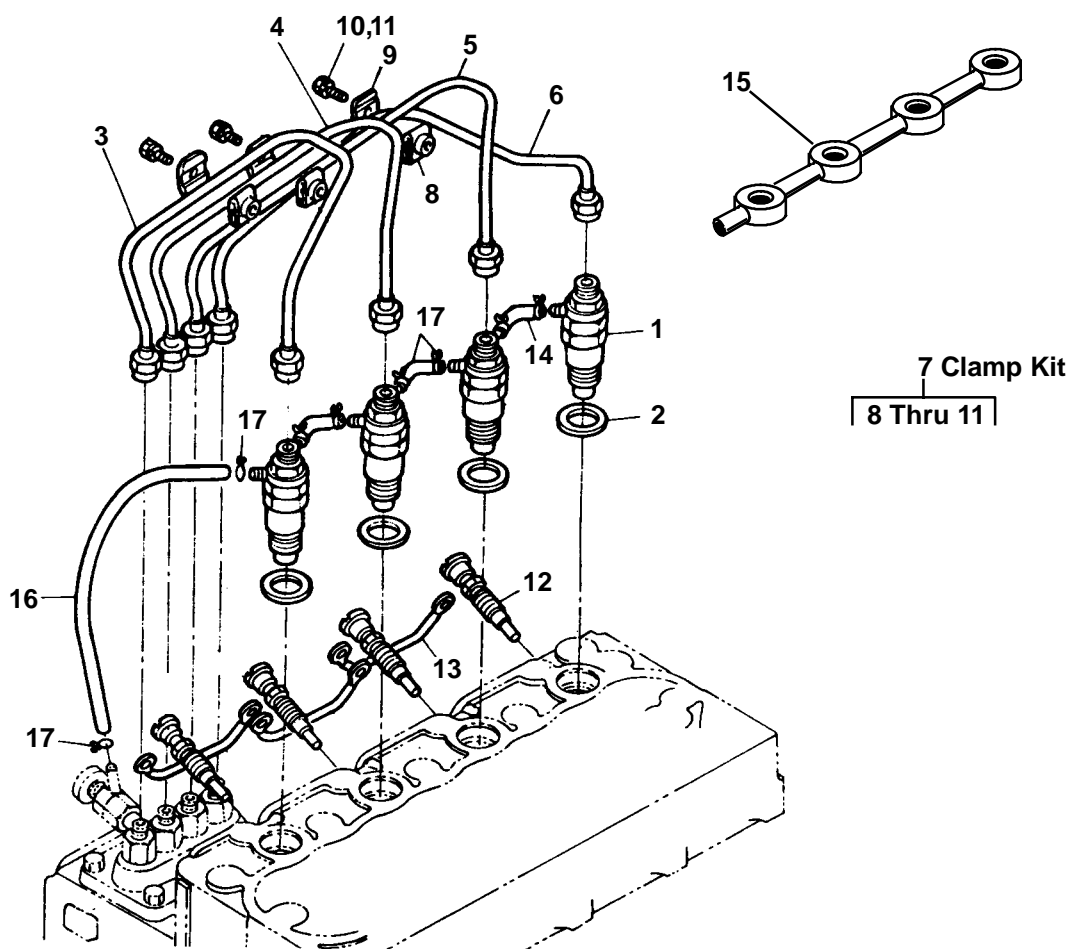
20. INJECTION PUMP AND FITTINGS



Item	Part Number	Description	Qty
1	-	Pump Assembly, Injection - Refer to Section 22.	1
2	25-37591-00	Shim (0.20mm)	A/R
	25-39174-00	Shim (0.25mm)	
3	25-37592-00	Shim (0.30mm)	A/R
	25-38741-00	Shim (0.45mm)	
	25-39392-00	Shim (0.30mm)	
4	25-37659-00	Bolt, M8 x 22mm Long - Grade 7	4
5	25-35488-00	Stud, M8 x 22mm Long - Grade 7 (CT4-114-IDI, 114-DI, 133-DI, 134-TV)	2
	25-35237-00	Stud, M8 Grade 7 (CT4-134-TV-Ultra, 114-TV)	
6	25-35685-00	Nut, M8	2
7	25-35687-00	Washer, Spring Lock, M8	6
8	25-37593-00	Fitting, Injection Pump Inlet, M14	1
9	25-37485-00	Banjo, 12mm I.D.	1
	25-37594-00	Banjo, 14mm I.D.	
10	25-37589-00	Gasket, Banjo, 14mm I.D.	2

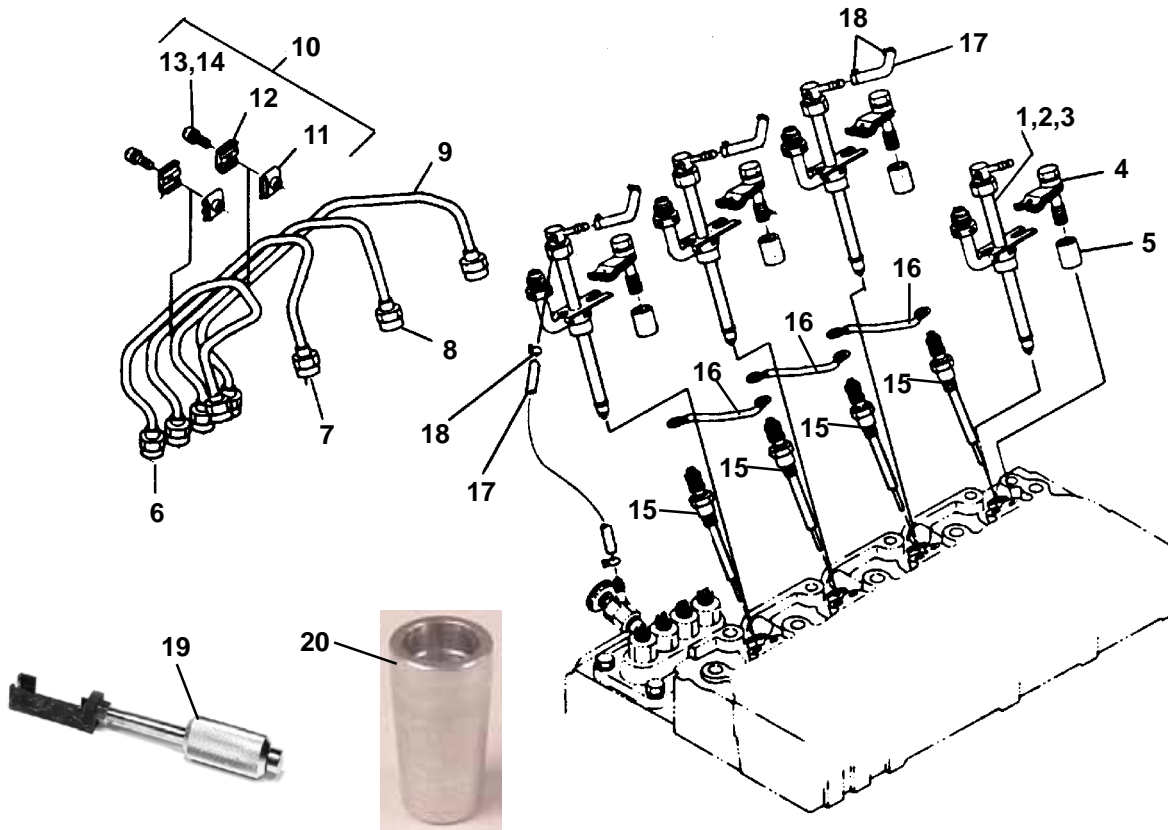
21. INJECTORS, FUEL LINES AND GLOW PLUGS

21.1. Injectors, Fuel Lines And Glow Plugs - CT4-114-IDI



Item	Part Number	Description	Qty
1	25-37625-00	Injector - Refer to Section 23. for Repair Parts	4
2	25-35476-00	Seal, Washer	4
3	25-37610-00	Pipe, Injection Cylinder #1	1
4	25-37611-00	Pipe, Injection Cylinder #2	1
5	25-37612-00	Pipe, Injection Cylinder #3	1
6	25-37613-00	Pipe, Injection Cylinder #4	1
7	25-38140-00	Clamp Kit, Injector Line - Includes:	3
8	NSS	Clamp, Pipe	1
9	NSS	Clamp, Pipe	1
10	PL	Screw, M5 x 0.8 x 20mm Long	1
11	PL	Washer, M5	1
12	25-37614-00	Glow Plug (Standard)	4
	25-37614-10	Glow Plug (Optional NGK)	A/R
13	25-37615-00	Wire, Glow Plug	3
14	58-00659-00	Hose, Fuel Leak Off (Cut To Length) (Prior to Engine S/N 1001)	3
15	25-37616-01	Pipe Assembly, Fuel Leak Off (Starting With Engine S/N 1001)	3
16	58-00659-00	Hose, Fuel Leak Off (Cut To Length)	3
17	44-00045-25	Clamp, Worm	8

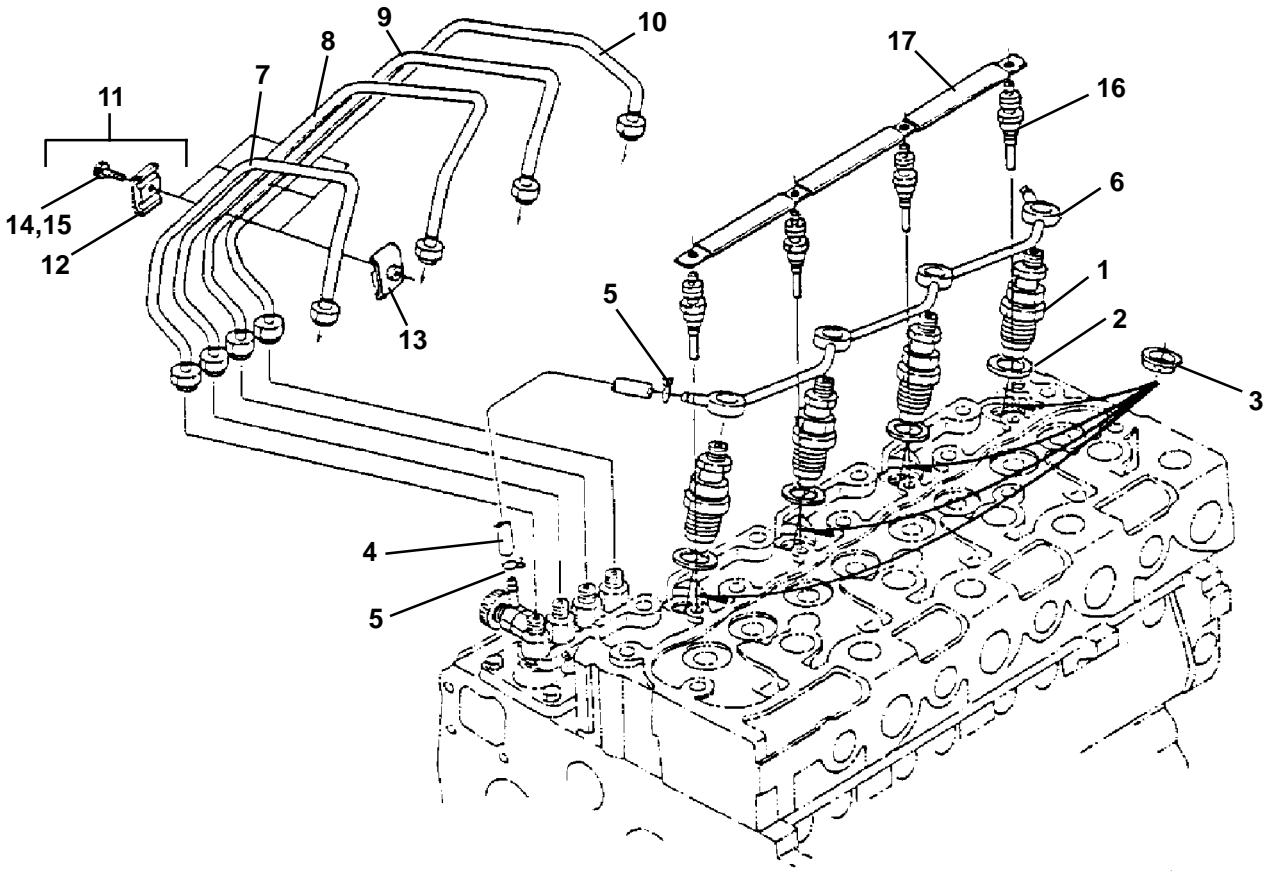
21.2. Injectors, Fuel Lines And Glow Plugs - CT4-114-DI, 133-DI, 134-DI



Item	Part Number	Description	Qty
1	25-38155-00	Nozzle Assembly (CT4-114-DI) -Includes:	4
	25-38640-00	Nozzle Assembly (CT4-133-DI, 134-DI) -Includes:	
2	25-38155-01	Seal, Washer	1
3	25-38155-02SV	Carbon Ring	1
4	25-38152-00	Clamp Assembly, Nozzle	4
5	25-38153-00	Spacer, Nozzle	4
6	25-38645-00	Pipe, Injection Cylinder #1	1
7	25-38646-00	Pipe, Injection Cylinder #2	1
8	25-38647-00	Pipe, Injection Cylinder #3	1
9	25-38648-00	Pipe, Injection Cylinder #4	1
10	25-38140-00	Clamp Kit, Injector Line - Includes:	3
11	NSS	Clamp, Pipe	1
12	NSS	Clamp, Pipe	1
13	PL	Screw (Includes Washer) M5 x 0.8 x 20mm Long	1
14	PL	Washer, M5	1
15	25-38150-01	Glow Plug	4
16	25-38143-00	Wire, Glow Plug	3
17	58-00659-00	Hose, Fuel Leak Off (Cut To Length)	A/R
18	44-00045-25	Clamp, Worm	8
19	07-00249-00	Tool, Injection Puller (Pencil Style)	1
20	07-00250-00	Tool, Carbon Ring Installer	1

Note: If replacing Injection Pipe on CT4-114-DI up to S/N 12446 all Injection Pipes must be replaced. Early Pipes are no longer offered.

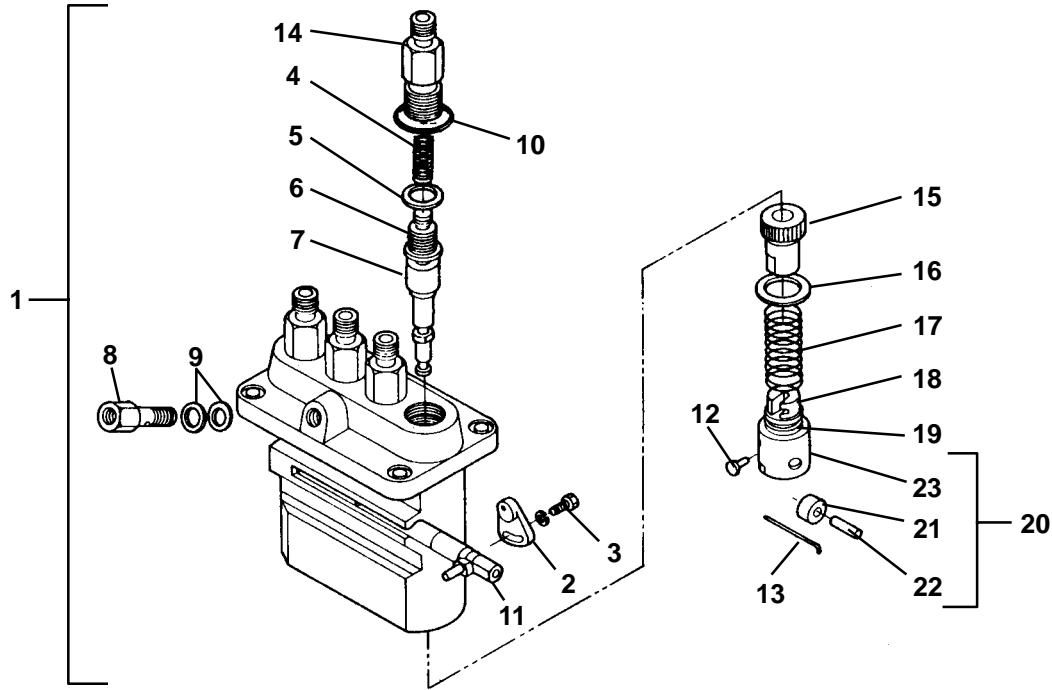
21.3. Injectors, Fuel Lines And Glow Plugs - CT4-134-TV, 114-TV



Item	Part Number	Description	Qty
1	25-39106-00	Nozzle Assembly (CT4-114-TV) - Includes:	4
	25-39145-00	Nozzle Assembly (CT4-134-TV) - Includes:	
2	25-34216-00	Gasket, Injector	4
3	25-39147-00	Seal, Heat (Injector)	4
4	58-00659-00	Hose, Fuel Leak Off (Cut To Length)	A/R
5	44-00045-25	Clamp, Worm	2
6	25-39146-00	Pipe Assembly, Leak Off	1
7	25-39148-00	Pipe, Injection Cylinder #1	1
8	25-39148-01	Pipe, Injection Cylinder #2	1
9	25-39148-02	Pipe, Injection Cylinder #3	1
10	25-39148-03	Pipe, Injection Cylinder #4	1
11	25-38140-00	Clamp Kit, Injector Line - Includes:	3
12	NSS	Clamp, Pipe	1
13	NSS	Clamp, Pipe	1
14	PL	Screw (Includes Washer) M5 x 0.8 x 20mm Long	1
15	PL	Washer, M5	1
16	25-39155-00	Glow Plug (12 VDC)	4
	25-39159-00	Glow Plug (24 VDC)	
17	25-39156-00	Bar, Buss (Glow Plug)	1

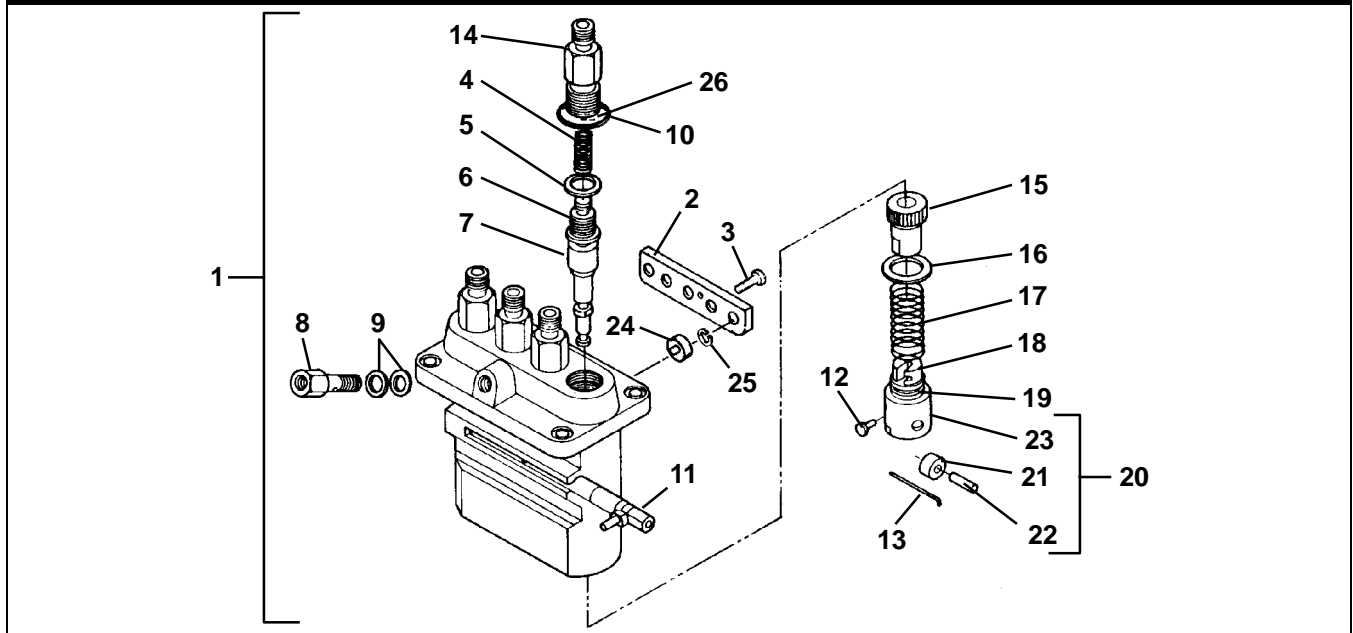
22. INJECTION PUMP ASSEMBLY

22.1. Injection Pump Assembly - CT4-114-IDI



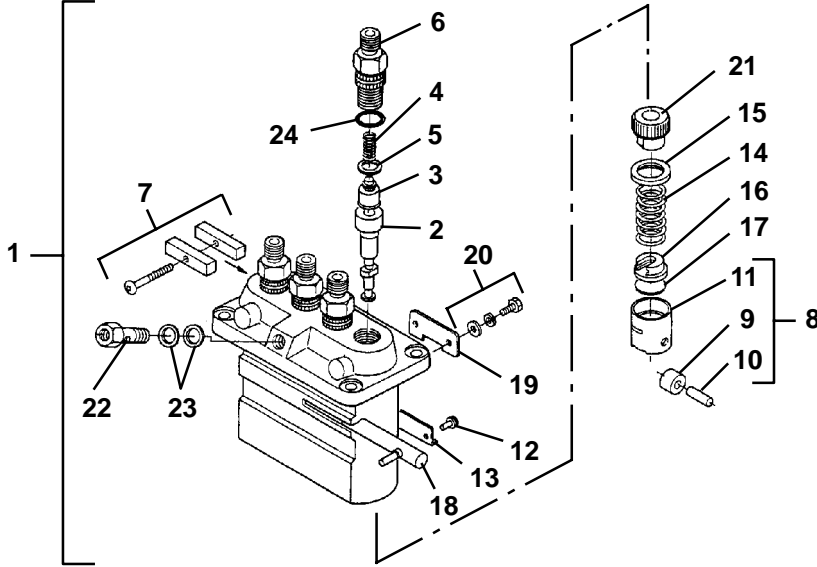
Item	Part Number	Description	Qty
1	25-37585-00	Pump Assembly, Injection - Includes:	1
2	25-35626-00	Plate, Adjusting	3
3	25-37600-00	Bolt, Adjusting Plate	3
4	25-35628-00	Spring, Delivery Valve	4
5	25-35629-00	Gasket, Delivery Valve	4
6	25-37597-00	Valve, Delivery	4
7	25-37587-00	Element, Pump	4
8	25-37588-00	Bolt, Banjo	1
9	25-37589-00	Gasket, Banjo Fitting	2
10	25-37599-00	O-Ring	4
11	25-37590-00	Rack, Control	1
12	25-35638-00	Pin, Tappet Guide	4
13	25-35639-00	Pin, Clamp	2
14	25-37598-00	Holder, Delivery Valve	4
15	25-35641-00	Sleeve, Control	4
16	25-35642-00	Seat, Spring (Upper)	4
17	25-35643-00	Spring, Plunger	4
18	25-35644-00	Seat, Spring (Lower)	4
19	25-35645-00	Shim	4
20	25-35646-00	Tappet Assembly - Includes:	4
21	NSS	Roller, Tappet	1
22	NSS	Pin, Roller	1
23	NSS	Body, Tappet	1

22.2. Injection Pump Assembly - CT4-114-DI, 133-DI, 134-DI



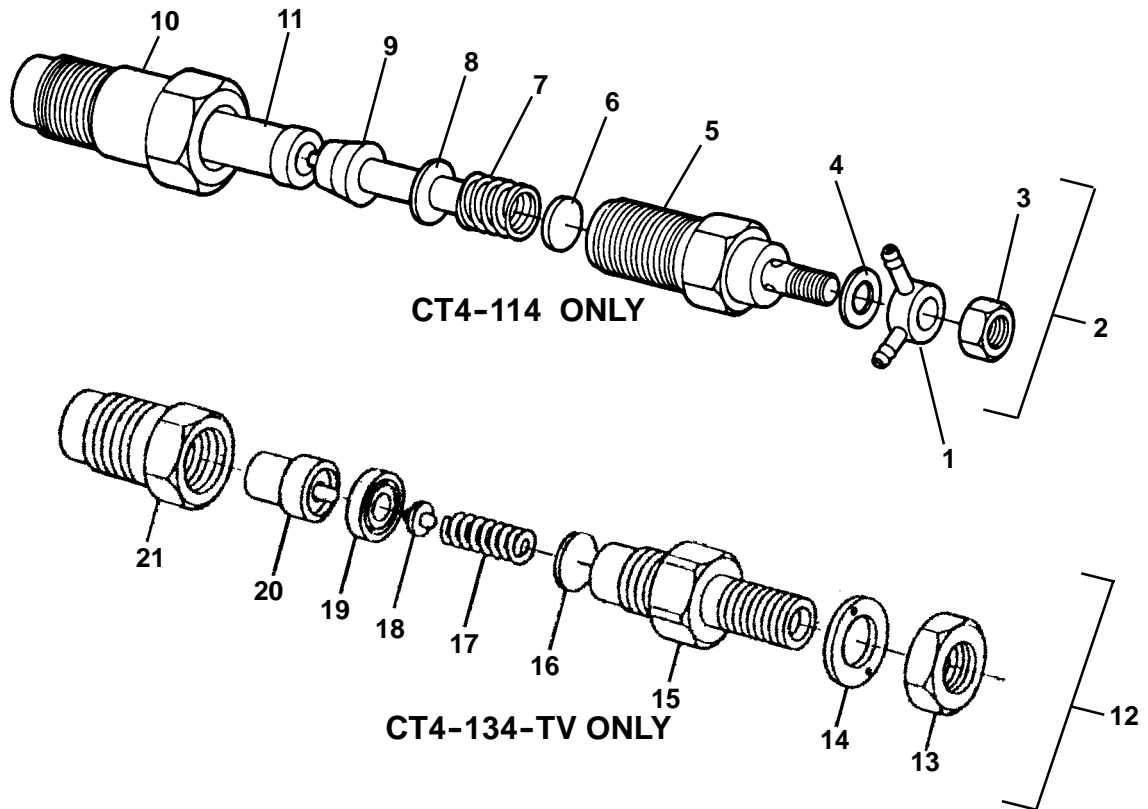
Item	Part Number	Description	Qty
1	25-38210-01	Pump Assembly, Injection (CT4-114-DI) - Includes:	1
	25-38740-00	Pump Assembly, Injection (CT4-133-DI, 134-DI) - Includes:	
2	25-38742-00	Plate, Adjusting	3
3	25-36646-00	Bolt, Adjusting Plate	3
4	25-38743-00	Spring, Delivery Valve	4
5	25-36629-00	Gasket, Delivery Valve	4
6	25-38744-00	Valve, Delivery	4
7	25-38211-00	Element, Pump (CT4-114-DI)	4
	25-38745-00	Element, Pump (CT4-133-DI, 134-DI)	
8	25-37588-00	Bolt, Banjo	1
9	25-37589-00	Gasket, Banjo Fitting	2
10	25-35653-00	O-Ring	4
11	25-38746-00	Rack, Control	1
12	25-36632-00	Pin, Tappet Guide	4
13	25-38747-00	Pin, Clamp	2
14	25-36630-00	Holder, Delivery Valve	4
15	25-36639-00	Sleeve, Control	4
16	25-36635-00	Seat, Spring (Upper)	4
17	25-38748-00	Spring, Plunger	4
18	25-36636-00	Seat, Spring (Lower)	4
19	25-36652-00	Shim	4
20	25-36631-00	Tappet Assembly - Includes:	4
21	NSS	Roller, Tappet	1
22	NSS	Pin, Roller	1
23	NSS	Body, Tappet	1
24	25-36644-00	Collar	3
25	25-35692-00	Washer, Spring, Plunger (M6)	3
26	25-38212-00	Seat, Spring (CT4-114-DI)	4
	25-38749-00	Seat, Spring (CT4-133-DI, 134-DI)	

22.3. Injection Pump Assembly - CT4-134-TV, 114-TV



Item	Part Number	Description	Qty
1	25-39160-00	Pump Assembly, Injection (CT4-134-TV) - Includes:	1
	25-39016-00	Pump Assembly, Injection (CT4-114-TV) (M14 Inlet Thread) - Includes:	
2	25-39161-00	Element, Pump (CT4-134-TV)	3
	25-39017-00	Element, Pump (CT4-114-TV)	
3	25-39162-00	Valve, Delivery (CT4-134-TV)	4
	25-39018-00	Valve, Delivery (CT4-114-TV)	
4	25-39163-00	Spring, Delivery Valve (CT4-134-TV)	4
	25-39019-00	Spring, Delivery Valve (CT4-114-TV)	
5	25-35629-00	Gasket, Delivery Valve	4
6	25-39164-00	Holder, Delivery Valve	4
7	25-39165-00	Plate Lock	2
8	25-35646-00	Tappet Assembly - Includes:	4
9	NSS	Roller, Tappet	1
10	NSS	Pin, Roller	1
11	NSS	Body, Tappet	1
12	25-39166-00	Pin, Tappet Guide	4
13	25-39167-00	Plate	2
14	25-35643-00	Spring, Plunger	4
15	25-35642-00	Seat, Spring (Upper)	4
16	25-35644-00	Seat, Spring (Lower)	4
17	25-35645-00	Shim	4
18	25-37590-00	Rack, Control	1
19	25-39168-00	Plate, Adjusting	3
20	25-37586-00	Bolt	1
21	25-35641-00	Sleeve, Control	4
22	25-39676-00	Bolt, Banjo, M12 Thread	1
	25-37588-00	Bolt, Banjo, M14 Thread	
23	25-39675-00	Gasket, Banjo Fitting, M12	2
	25-37589-00	Gasket, Banjo Fitting, M14	
24	25-37599-00	O-Ring	4

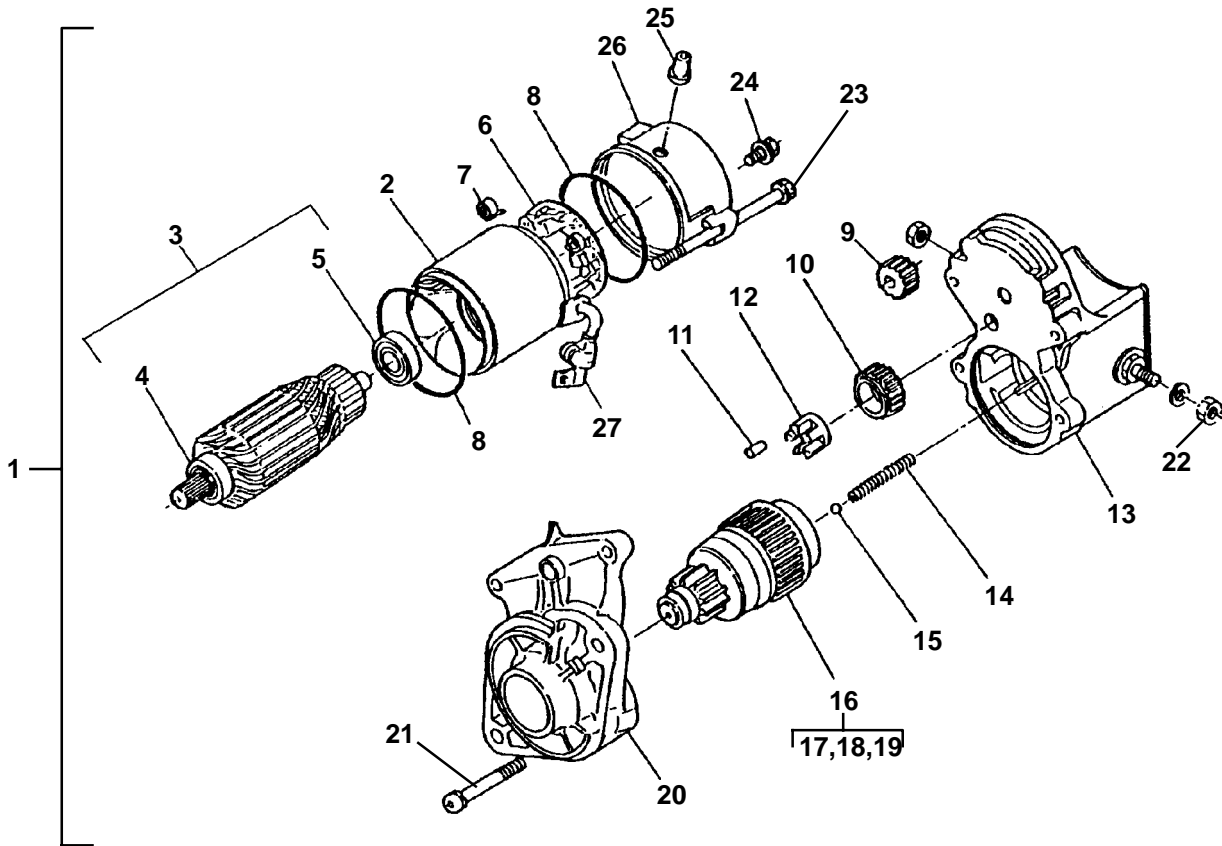
23. INJECTOR ASSEMBLY



Item	Part Number	Description	Qty
1	25-35605-00	Banjo, Single Delivery (Prior To Engine S/N 1001)	1
	25-35606-00	Banjo, Dual Delivery (Prior To Engine S/N 1001)	
2	25-37625-00	Injector Assembly - Includes:	4
3	25-35604-00	Nut	1
4	25-35607-00	Washer, Plain	1
5	NSS	Body, Nozzle Holder	1
6	25-35609-00	Washer, Adjusting	1
7	25-35610-00	Spring	1
8	25-35612-00	Rod, Push	1
9	25-35611-00	Spacer	1
10	25-35613-00	Nut, Nozzle	1
11	25-37626-00	Nozzle	1
12	25-39145-01	Injector Assembly (CT4-134-TV) - Includes:	4
13	25-39152-00	Nut	4
14	25-39151-00	Washer, Plain	4
15	NSS	Body, Nozzle Holder	1
16	25-39150-00	Washer, Adjusting	1
17	25-34210-00	Spring, Nozzle	1
18	25-34212-00	Rod, Push	1
19	25-34211-00	Spacer, Injector	1
20	25-39149-00	Nozzle (CT4-134-TV)	1
	25-39107-00	Nozzle (CT4-114-TV)	
21	25-34213-00	Nut, Nozzle	1

24. STARTER

24.1. Starter - New Style - One Piece Oil Pan

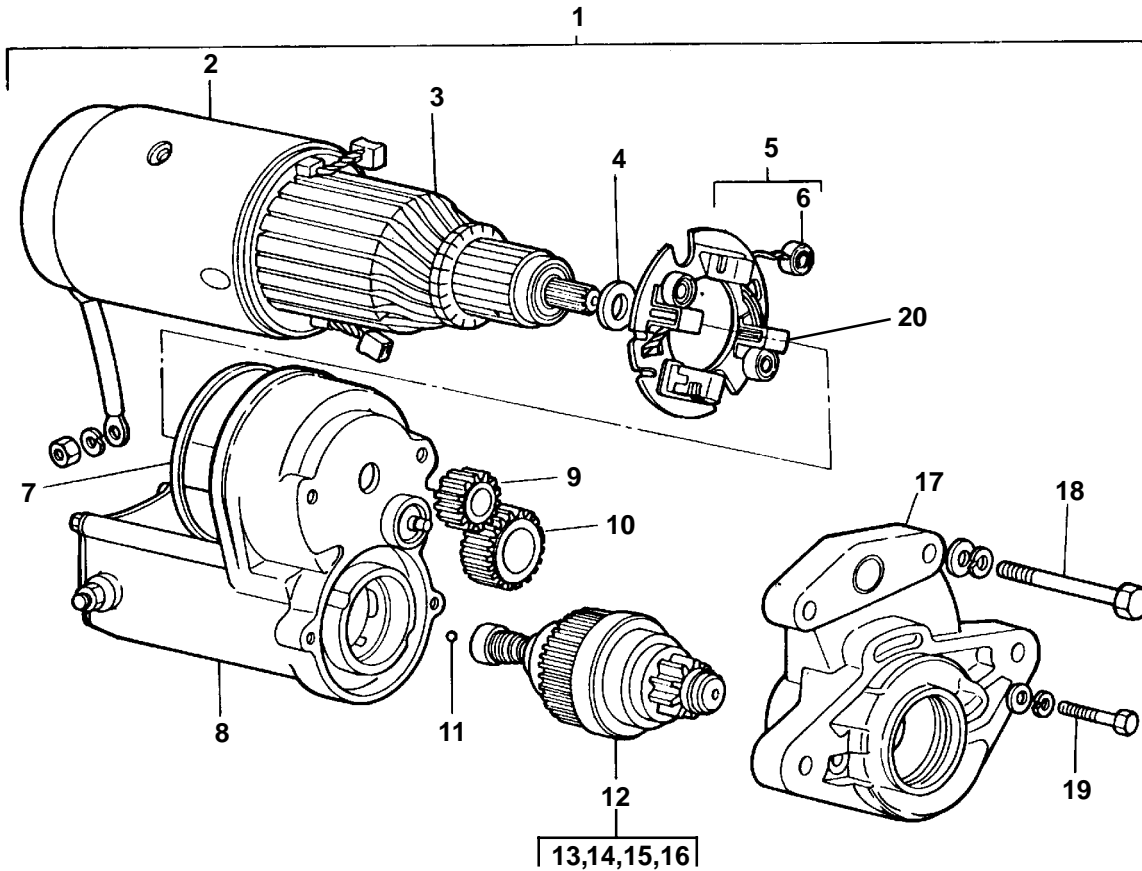


Item	Part Number	Description	Qty
1	25-38750-00	Starter Assembly (CT4-114-IDI, 114-DI, 133-DI, 134-DI, 134-TV) - Includes:	1
	25-38750-00RM	Starter Assembly (Remanufactured) - Includes:	
2	NSS	Yoke	1
3	25-37727-00	Armature Assembly - Includes:	1
4	25-37743-00	Bearing #1	1
5	25-37744-00	Bearing #2	1
6	25-37731-00	Holder, Brush - Includes:	4
7	25-35458-05	Spring, Brush	1
8	25-37738-00	Seal, O-Ring	2
9	25-37732-00	Gear	1
10	25-35458-08	Gear	1

24.1. Starter - New Style - One Piece Oil Pan (Continued)

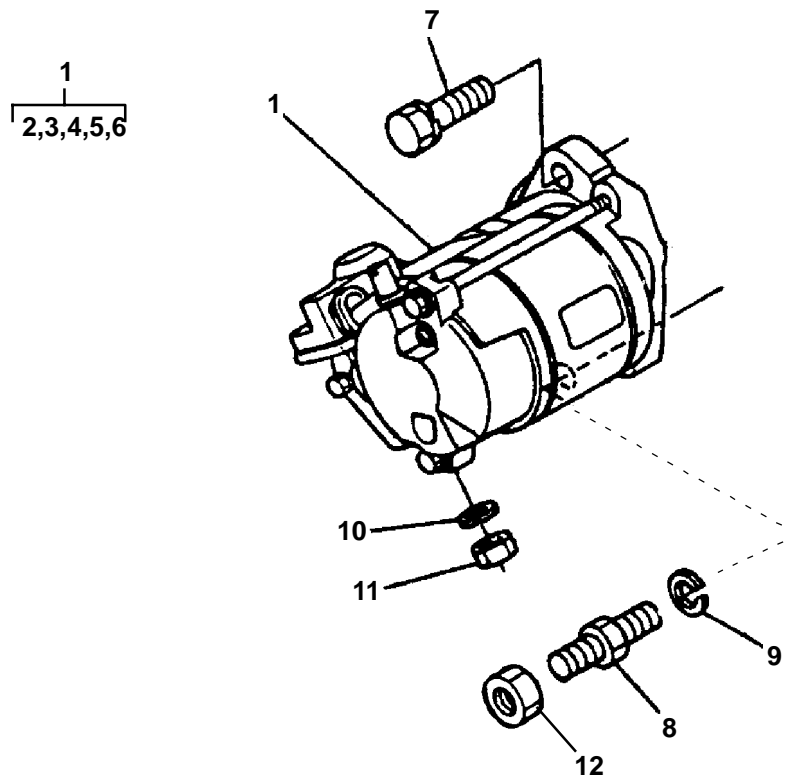
Item	Part Number	Description	Qty
11	25-35458-09	Bearing, Roller	5
12	25-35458-10	Retainer, Roller Bearing	1
13	25-37729-00	Solenoid	1
14	25-35458-12	Spring	1
15	25-35458-13	Ball	1
16	25-38751-00	Clutch, 11 Tooth - Includes:	1
17	25-38752-00	Kit, Gear Pinion Starter	1
18	25-37647-03	Spring	1
19	25-37647-04	Shaft	1
20	25-37728-00	Frame, Drive End	1
21	25-37737-00	Screw	2
22	25-37742-00	Nut	1
23	25-37739-00	Bolt, Through	2
24	25-37740-00	Bolt	2
25	25-37741-00	Cover	1
26	25-37730-00	Frame, End	1
27	25-37731-01	Brush	1

24.2. Starter - Old Style - One Piece Oil Pan



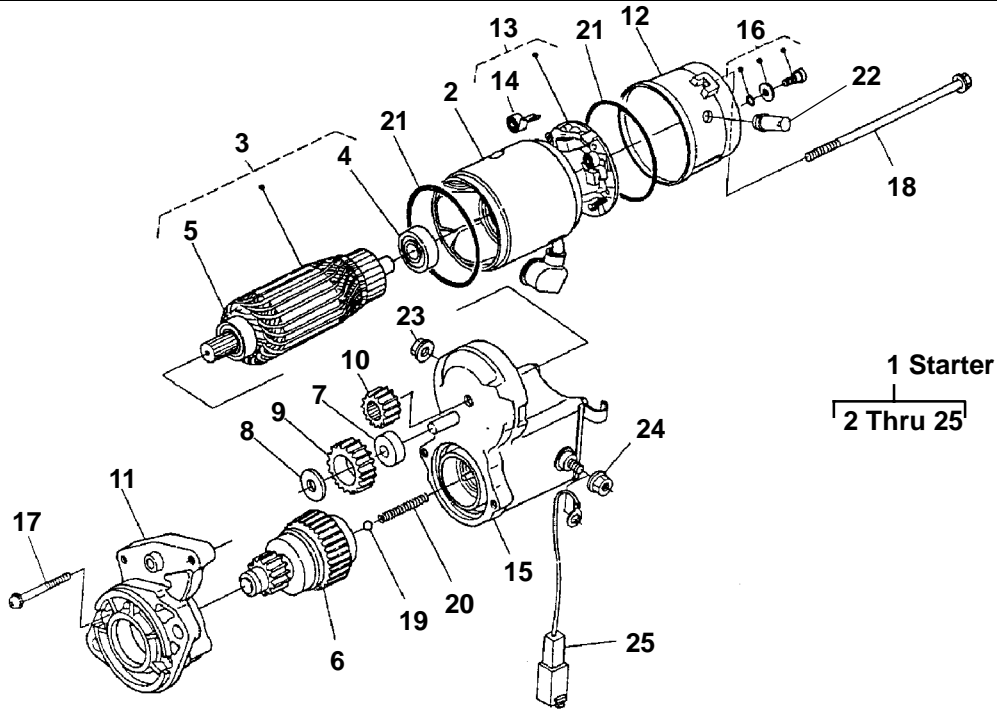
Item	Part Number	Description	Qty
1	NLO	Starter Assembly - Includes:	1
2	NSS	Yoke	1
3	25-35458-02	Armature	1
4	25-35458-03	Gasket	1
5	25-35458-04	Holder, Brush - Includes:	1
6	25-35458-05	Spring, Brush	5
7	25-35458-06	Gasket	1
8	25-37645-00	Housing, Solenoid	1
9	25-37643-00	Gear, Spur	1
10	25-35458-08	Gear, Spur	1
11	25-37646-00	Ball	1
12	25-38751-00	Clutch, Starter - Includes:	1
13	25-38752-00	Kit, Starter, Pinion Gear	1
14	NSS	Kit, Clutch	1
15	25-37647-03	Spring	1
16	25-37647-04	Shaft	1
17	25-37648-00	Frame, Drive End	1
18	25-35458-16	Bolt, Through	2
19	25-37649-00	Screw, Pan Head	2
20	25-37731-01	Brush	2

24.3. Starter - Two Piece Oil Pan



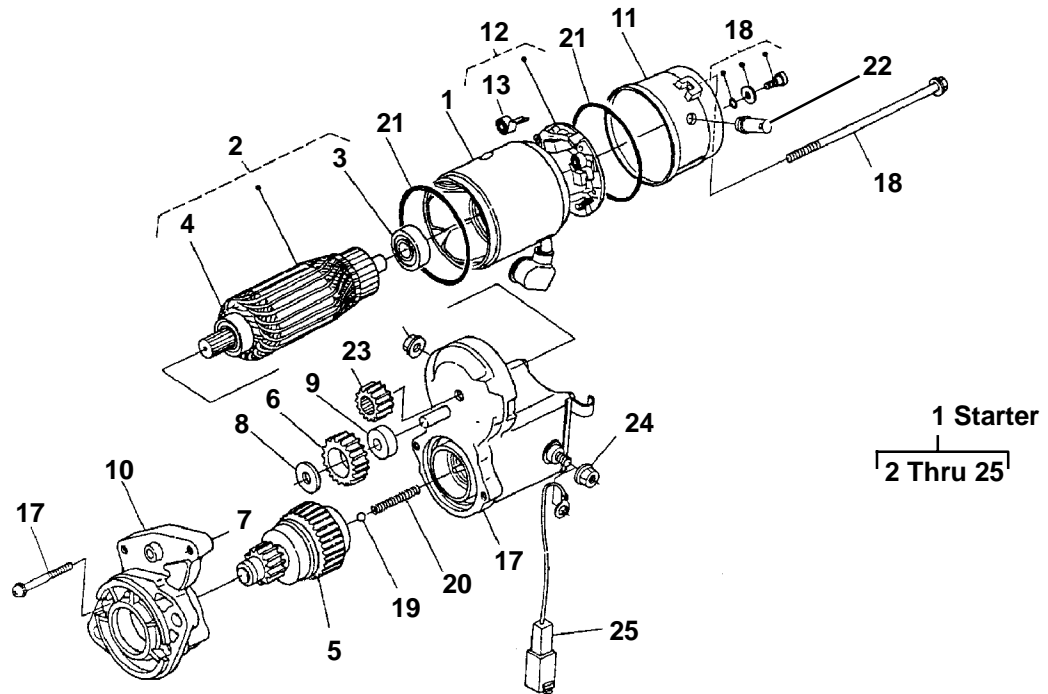
Item	Part Number	Description	Qty
1	25-39291-00	Starter Assembly (12 VDC - 2kw) - Refer to Section 24.4.	1
	25-39316-00	Starter Assembly - Double Row Clutch (12 VDC - 2kw) - Refer to Section 24.5.	
	25-39250-00	Starter Assembly (12 VDC - 1.4kw)	
	25-39135-00	Starter Assembly (12 VDC - 1.4kw) - Includes:	
	25-39135-00RM	Starter Assembly (12 VDC - 1.4kw) - Includes:	
2	25-37731-01	Brush	1
3	25-39138-00	Holder, Brush	1
4	25-39137-00	Clutch	1
5	25-39135-01	Housing, Starter	1
6	25-39135-02	Solenoid	1
7	25-37633-00	Bolt (M10)	1
8	25-38767-00	Stud (M10)	1
9	25-37690-00	Washer, Spring Lock (M10)	1
10	25-37687-00	Washer, Spring Lock (M8)	1
11	25-37680-00	Nut, Hex (M8)	1
12	25-37681-00	Nut, Hex (M10)	1

24.4. Starter Assembly - 25-39291-00



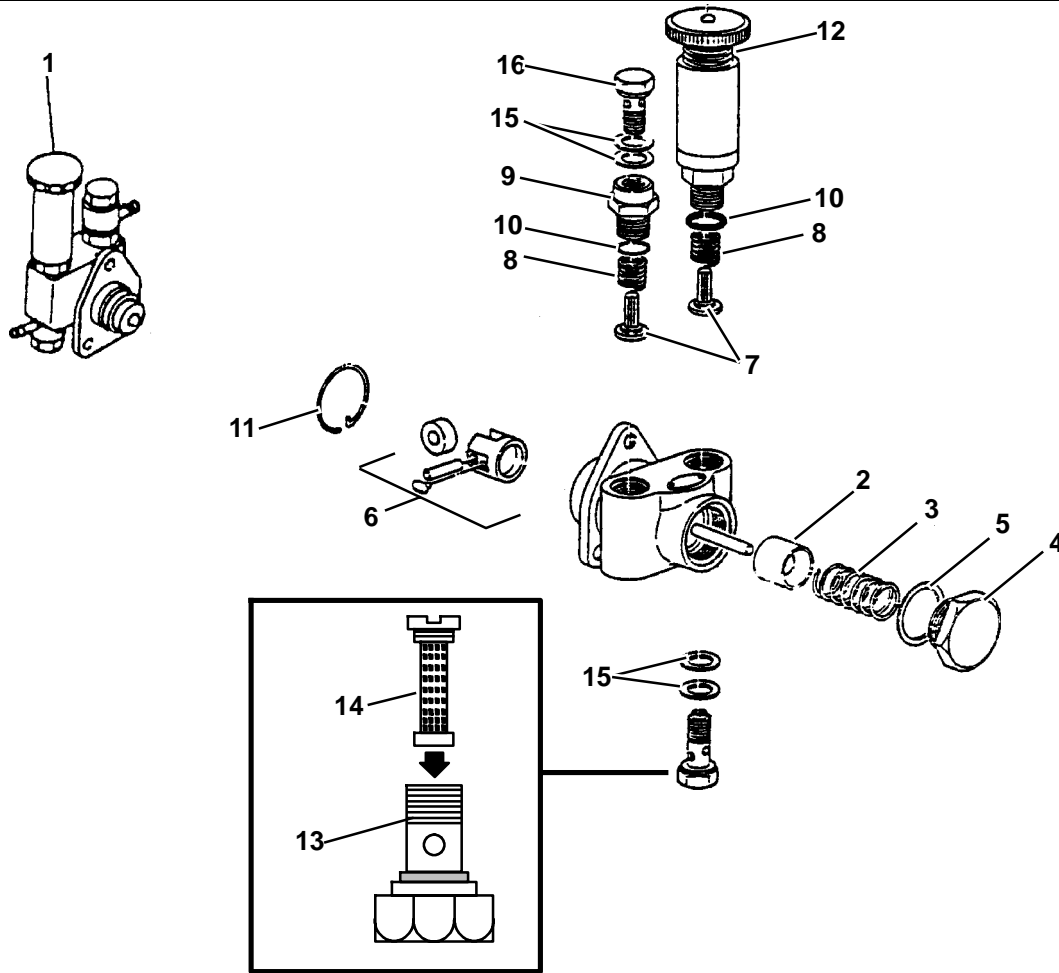
Item	Part Number	Description	Qty
1	25-39291-00	Starter Assembly (12 VDC - 2kw) - Includes:	1
2	25-39240-00	Field Coil	1
3	25-39241-00	Armature - Includes:	1
4	25-39242-00	Bearing	1
5	25-70123-00	Bearing	1
6	25-39137-00	Clutch Assembly, Starter, 9 Tooth	1
7	25-35458-09	Roller	5
8	7103057	Retainer	1
9	7103056	Gear, Idler	1
10	25-39243-00	Gear, Armature	1
11	25-39244-00	Frame, Drive End	1
12	25-39245-00	Frame, Brush Holder End	1
13	25-39246-00	Holder, Brush - Includes:	1
14	25-39247-00	Spring, Brush	1
15	25-39248-00	Solenoid Assembly	1
16	25-39249-00	Screw	2
17	25-39185-00	Screw	2
18	25-39186-00	Bolt, Through	2
19	941598	Ball, Steel	1
20	7103058	Spring, Clutch Engagement	1
21	25-37738-00	O-Ring, Starter	2
22	29-70227-00	Pipe, Drain	1
23	25-37742-00	Nut	1
24	29-70223-00	Nut	1
25	25-39135-03	Wire Assembly, Solenoid	1

24.5. Starter Assembly - Double Row Clutch - 25-39316-00



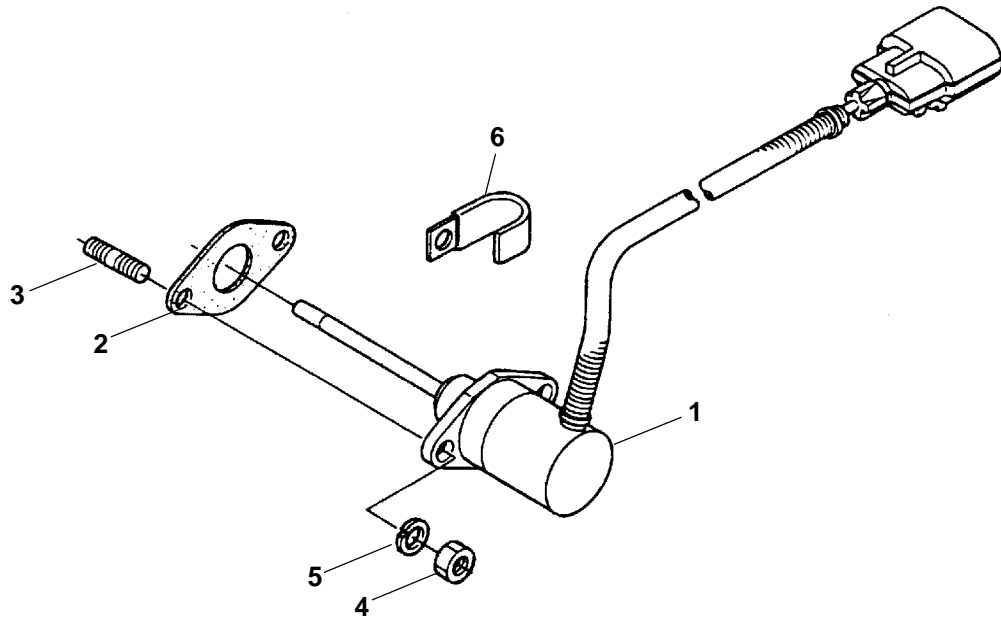
Item	Part Number	Description	Qty
1	25-39316-00	Starter Assembly - Double Row Clutch (12 VDC - 2kw) - Includes:	1
2	25-39240-00	Field Coil	1
3	25-39241-00	Armature - Includes:	1
4	25-39242-00	Bearing	1
5	29-70123-00	Bearing	1
6	25-39329-00	Clutch Assembly, Starter	1
7	25-35458-09	Roller	5
8	25-39323-00	Retainer	1
9	25-39328-00	Gear Idler	1
10	25-39327-00	Gear, Armature	1
11	25-39325-00	Frame, Drive End	1
12	25-39245-00	Frame, Brush Holder End	1
13	25-39246-00	Holder, Brush - Includes:	1
14	25-39247-00	Spring, Brush	4
15	25-39324-00	Solenoid, Assembly	1
16	25-39249-00	Screw	2
17	25-39185-00	Screw	2
18	25-39186-00	Bolt, Through	2
19	941598	Ball, Steel	1
20	25-39326-00	Spring, Clutch Engagement	1
21	25-37738-00	O-Ring, Starter	2
22	29-70227-00	Pipe, Drain	1
23	25-37742-00	Nut	1
24	29-70223-00	Nut	1
25	25-39135-03	Wire Assembly, Solenoid	1

25. FUEL PUMP ASSEMBLY



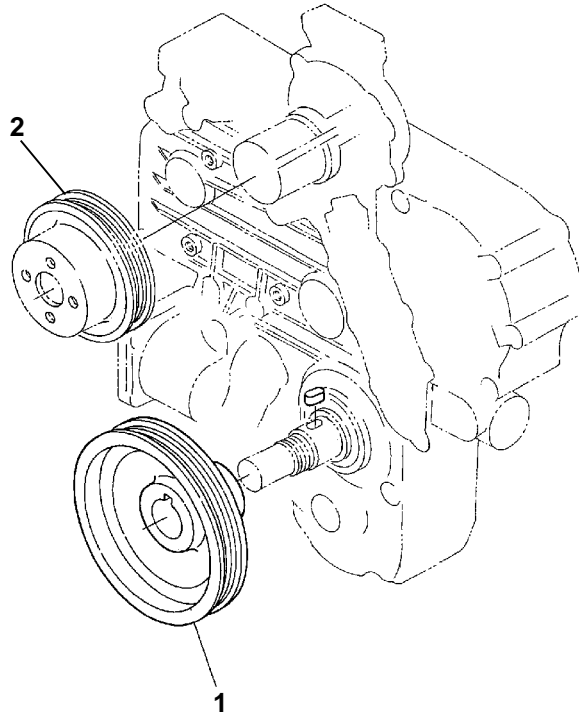
Item	Part Number	Description	Qty
NS	25-38215-00	Pump Assembly, Fuel (2 Bolt Prior To S/N 12607)	1
NS	25-36498-00	Gasket, Pump Assembly, Fuel (2 Bolt)	1
1	25-38666-00	Pump Assembly, Fuel Lift - Includes:	1
2	25-38666-01	Piston, Fuel Pump	1
3	25-38666-02	Spring, Fuel Pump	1
4	25-38666-03	Plug, Fuel Pump	1
5	25-38666-04	Gasket, Copper O-Ring	1
6	25-38666-05	Tappet Assembly	1
7	25-38666-06	Valve, (Suction And Pressure)	2
8	25-38666-07	Spring, Pump Valve	2
9	25-38666-08	Adapter	1
10	25-38666-09	O-Ring	2
11	25-38666-10	Cir-Clip	1
12	25-38666-11	Pump, Hand Priming	1
13	25-38666-12	Bolt, Banjo - Includes:	1
14	25-38666-16	Filter (Brass)	1
15	25-38666-13	Gasket, Copper O-Ring	4
16	25-38666-14	Bolt, Banjo	1

26. STOP SOLENOID - CT4-134-TV, CT4-114-TV



Item	Part Number	Description	Qty
1	25-38109-05SV	Solenoid, Stop (12 VDC) - Includes:	1
	25-38110-00	Solenoid, Stop (24 VDC) - Includes:	
2	25-39171-00	Gasket Solenoid	1
3	25-37672-00	Stud (M6)	2
4	25-35684-00	Nut (M6)	2
5	25-35692-00	Washer, Spring (M6)	2
6	PL	Clamp	1

27. PULLEY



Item	Part Number	Description	Qty
All Genset Engines and Trailer Engines Prior to S/N XA0001			
1	25-37402-00	Pulley, Crankshaft - 154 mm Diameter	1
2	25-37580-07	Pulley, Water Pump - 104 mm Diameter	1
Trailer Engines From S/N XA0001 to YZ9999			
1	25-39307-00	Pulley, Crankshaft - 104 mm Diameter	1
2	25-39306-00	Pulley, Water Pump - 97 mm Diameter	1
Trailer Engines Starting With S/N 1L0001			
1	25-39312-00	Pulley, Crankshaft - 120 mm Diameter	1
2	25-37580-07	Pulley, Water Pump - 104 mm Diameter	1

Note: Crankshaft And Water Pump Pulleys MUST Be Matched (mm Diameter) As Shown Above.

28. GASKET SETS**28.1. Gasket Set - CT4-114-IDI****NOTE: Refer To Appropriate Group For Illustration**

GROUP	ITEM	PART NO.	DESCRIPTION	QTY
NS	NS	25-37016-00	Gasket Kit - Includes:	1
13.	6	25-37194-00	Gasket, Bearing Cover	1
14.	20	25-37446-00	Gasket, Fuel Camshaft Cover (Without Fuel Pump)	1
14.	26	25-38664-00	O-Ring, Fuel Camshaft Cover (With Fuel Pump)	1
25.	-	25-36498-00	Gasket, Fuel Pump (2 Bolt)	1
19.	8	25-37574-00	Gasket, Water Pump	1
5.	16	25-37115-03	Gasket, Cylinder Head (CT4-114-IDI)	1
7.	9	25-37145-00	Gasket, Gear Case	1
9.	3	25-37231-00	Gasket, Intake Manifold	1
4.	8	25-37307-00	Gasket, Valve Cover	1
7.	30	25-37158-00	O-Ring	1
7.	6	25-37143-00	O-Ring	1
3./4.	4/12	25-37310-00	O-Ring, Oil Fill Cap	2
12.1.	24	25-37389-00	O-Ring	1
S	S	25-37084-04	Gasket, Dipstick Cap	1
2.2.	14	25-39032-00	O-Ring	1
7.	4/5	25-37142-00	O-Ring	3
16.	8	25-39200-00	O-Ring	1
1./5.	30/18	25-35032-00	O-Ring (Blue)	1
17.	6	25-37530-00	O-Ring	1
S	S	25-37535-00	O-Ring	1
17.	11	25-36830-00	O-Ring	1
10.	2	25-37236-01	Gasket, Exhaust Manifold	4
10.	6	25-37238-00	Gasket, Exhaust	1
18.	7	25-37558-00	Gasket, Thermostat Cover	1
S	S	25-37195-01	Gasket, Bearing	1
2.1/2.2.	2/3	25-39027-00	Gasket, Oil Pan	1
7.	22	25-37156-00	Gasket, Water Return Flange	1
1.	20	25-37041-00	Gasket, Oil Pump	1
7.	25	25-37092-00	Gasket	1
18.	9	25-37561-00	Gasket, Thermostat Housing	1
17.	14	25-37537-00	Gasket, Pump Cover	1
S	S	25-37091-00	Gasket, Control Plate (S/N 22624 and Down)	1
16.	13	25-37500-01	Gasket, Control Plate (S/N 22625 and Up)	1
1./14.	29/37	25-35136-05	Gasket	4
21.1.	2	25-35476-00	Seal, Washer	4
7.	17	25-37151-01	Gasket, Copper (Starting With Engine S/N 2980)	1
13.1/14	29/9	25-37197-00	Seal, Oil	1
6.	6	25-37265-00	Seal, Valve Stem	8
12.1.	27	25-37396-01	Seal, Oil - Front (Starting With Engine S/N 16077)	1
16.	3	25-37492-00	Gasket, Adjusting Bolt	2
21/23.1	10/9	25-37589-00	Gasket, Banjo	2
14.	30	25-38667-00	O-Ring	1
S INDICATES PARTS THAT ARE IN THE KIT BUT ARE NOT USED ON THIS ENGINE				

28.2. Gasket Set - CT4-114-DI

NOTE: Refer To Appropriate Group For Illustration

GROUP	ITEM	PART NO.	DESCRIPTION	QTY
NS	NS	25-38010-00	Gasket Kit - Includes:	1
13.	6	25-37194-00	Gasket, Bearing Cover	1
14.	20	25-37446-00	Gasket, Fuel Camshaft Cover (Without Fuel Pump)	1
14.	26	25-38664-00	O-Ring, Fuel Camshaft Cover (With Fuel Pump)	1
25.	-	25-36498-00	Gasket, Fuel Pump (2 Bolt)	1
19.	8	25-37574-00	Gasket, Water Pump	1
5.	16	25-38046-01	Gasket, Cylinder Head (CT4-114-DI)	1
7.	9	25-37145-00	Gasket, Gear Case	1
9.	4	25-38076-00	Gasket, Intake Manifold	1
4.	8	25-37307-00	Gasket, Valve Cover	1
7.	30	25-37158-00	O-Ring	1
7.	6	25-37143-00	O-Ring	1
3./4.	4/12	25-37310-00	O-Ring, Oil Fill Cap	2
12.1.	24	25-37389-00	O-Ring	1
S	S	25-37084-04	Gasket, Dipstick Cap	1
2.2.	14	25-39032-00	O-Ring	1
7.	4/5	25-37142-00	O-Ring	3
16.	8	25-39200-00	O-Ring	1
1./5.	30/18	25-35032-00	O-Ring (Blue)	1
17.	6	25-37530-00	O-Ring	1
17.	11	25-36830-00	O-Ring	1
10.	2	25-37236-01	Gasket, Exhaust Manifold	4
10.	6	25-37238-00	Gasket, Exhaust	1
18.	7	25-37558-00	Gasket, Thermostat Cover	1
S	S	25-37195-01	Gasket, Bearing	1
2.1./ 2.2.	2/3	25-39027-00	Gasket, Oil Pan	1
7.	22	25-37156-00	Gasket, Water Return Flange	1
1.	20	25-37041-00	Gasket, Oil Pump	1
7.	25	25-37092-00	Gasket	1
18.	9	25-37561-00	Gasket, Thermostat Housing	1
17.	14	25-37537-00	Gasket, Pump Cover	1
S	S	25-37091-00	Gasket, Control Plate (S/N 22624 and Down)	1
16.	13	25-37500-01	Gasket, Control Plate (S/N 22625 and Up)	1
1./14.	29/37	25-35136-05	Gasket	4
7.	17	25-37151-01	Gasket, Copper (Starting With Engine S/N 2980)	1
13.1/14	29/9	25-37197-00	Seal, Oil	1
6.	6	25-37265-00	Seal, Valve Stem	8
12.1.	27	25-37396-01	Seal, Oil - Front (Starting With Engine S/N 16077)	1
16.	3	25-37492-00	Gasket, Adjusting Bolt	2
21/23.1	10/9	25-37589-00	Gasket, Banjo	2
21.2.	2	25-38155-01	Seal, Washer	4
21.2.	3	25-38155-02SV	Carbon Ring	4
14.	30	25-38667-00	O-Ring	1
S INDICATES PARTS THAT ARE IN THE KIT BUT ARE NOT USED ON THIS ENGINE				

28.3. Gasket Set - CT4-133-DI, CT4-134-DI

NOTE: Refer To Appropriate Group For Illustration

GROUP	ITEM	PART NO.	DESCRIPTION	QTY
NS	NS	25-38513-00	Gasket Kit - Includes:	1
13.1.	6	25-38717-00	Gasket, Bearing Cover	1
14.	20	25-37446-00	Gasket, Fuel Camshaft Cover (Without Fuel Pump)	1
14.	26	25-38664-00	O-Ring, Fuel Camshaft Cover (With Fuel Pump)	1
19.	8	25-37574-00	Gasket, Water Pump	1
5.	16	25-38529-01	Gasket, Cylinder Head (CT4-133-DI, 134-DI)	1
7.	9	25-37145-00	Gasket, Gear Case	1
9.	4	25-38076-00	Gasket, Intake Manifold	1
4.	8	25-37307-00	Gasket, Valve Cover	1
7.	30	25-37158-00	O-Ring	1
7.	6	25-37143-00	O-Ring	1
3./4.	4/12	25-37310-00	O-Ring, Oil Fill Cap	2
12.1.	24	25-37389-00	O-Ring	1
S	S	25-37084-04	Gasket, Dipstick Cap	1
2.2.	14	25-39032-00	O-Ring	1
7.	4/5	25-37142-00	O-Ring	3
7.	5	25-39046-00	O-Ring	1
16.	8	25-39200-00	O-Ring	1
1./5.	30/18	25-35032-00	O-Ring (Blue)	1
17.	6	25-37530-00	O-Ring	1
17.	11	25-36830-00	O-Ring	1
10.	2	25-37236-01	Gasket, Exhaust Manifold	4
10.	6	25-37238-00	Gasket, Exhaust	1
18.	7	25-37558-00	Gasket, Thermostat Cover	1
13.	4	25-38557-00	Gasket, Bearing	1
2.1./ 2.2.	2/3	25-39027-00	Gasket, Oil Pan	1
7.	22	25-37156-00	Gasket, Water Return Flange	1
1.	20	25-37041-00	Gasket, Oil Pump	1
7.	25	25-37092-00	Gasket	1
18.	9	25-37561-00	Gasket, Thermostat Housing	1
17.	14	25-37537-00	Gasket, Pump Cover	1
16.	13	25-37500-01	Gasket, Control Plate (S/N 22625 and Up)	1
1./14.	29/37	25-35136-05	Gasket	4
7.	17	25-37151-01	Gasket, Copper (Starting With Engine S/N 2980)	1
13.1/14	29/9	25-37197-00	Seal, Oil	1
6.	6	25-37265-00	Seal, Valve Stem	8
12.1.	27	25-37396-01	Seal, Oil - Front (Starting With Engine S/N 16077)	1
16.	3	25-37492-00	Gasket, Adjusting Bolt	2
21/23.1	10/9	25-37589-00	Gasket, Banjo	2
21.2.	2	25-38155-01	Seal, Washer	4
21.2.	3	25-38155-02SV	Carbon Ring	4
14.	30	25-38667-00	O-Ring	1

S INDICATES PARTS THAT ARE IN THE KIT BUT ARE NOT USED ON THIS ENGINE

28.4. Upper end Gasket Set - CT4-134-DI**NOTE: Refer To Appropriate Group For Illustration**

		25-38514-00	Kit, Upper End Gasket Set - CT4-134-DI - Includes:	1
1.	30	25-35032-00	O-Ring	1
5.	17	NSS	Gasket, Cylinder	1
9.	4	25-38076-00	Gasket, Intake Manifold	1
10.	2	25-37236-01	Gasket, Exhaust Manifold	1
10.	6	25-37238-00	Gasket, Exhaust Manifold Outlet Flange	1
4.	8	25-37307-00	Gasket, Valve Cover	1
18.	9	25-37561-00	Gasket, Thermostat Housing	1
18.	7	25-37558-00	Gasket, Thermostat Cover	1
21.2.	2	25-38155-01	Seal Washer	4
21.2.	3	25-38155-02SV	Carbon Ring	4
6.	6	25-37265-00	Seal, Valve Stem	8

28.5. Gasket Set - CT4-134-TV**NOTE: Refer To Appropriate Group For Illustration**

GROUP	ITEM	PART NO.	DESCRIPTION	QTY
NS	NS	25-39006-00	Gasket Kit - Includes:	1
13.1.	6	25-38717-00	Gasket, Bearing Cover	1
14.	26	25-38664-00	O-Ring, Fuel Camshaft Cover (With Fuel Pump)	1
19.	8	25-37574-00	Gasket, Water Pump	1
5.	16	25-38532-00	Gasket, Cylinder Head (CT4-134-TV)	1
7.	9	25-37145-00	Gasket, Gear Case	1
9.	4	25-38076-00	Gasket, Intake Manifold	1
4.	8	25-37307-00	Gasket, Valve Cover	1
7.	30	25-37158-00	O-Ring	1
7.	6	25-37143-00	O-Ring	1
3./4.	4/12	25-37310-00	O-Ring, Oil Fill Cap	2
12.1.	24	25-37389-00	O-Ring	1
2.2.	14	25-39032-00	O-Ring	1
7.	4/5	25-37142-00	O-Ring	3
16.	8	25-39200-00	O-Ring	1
1./5.	30/18	25-35032-00	O-Ring (Blue)	1
17.	6	25-37530-00	O-Ring	1
10.	2	25-37236-01	Gasket, Exhaust Manifold	4
10.	6	25-37238-00	Gasket, Exhaust	1
18.	7	25-37558-00	Gasket, Thermostat Cover	1
13.	4	25-38557-00	Gasket, Bearing	1
2.1./ 2.2.	2/3	25-39027-00	Gasket, Oil Pan	1
7.	22	25-37156-00	Gasket, Water Return Flange	1
1.	20	25-37041-00	Gasket, Oil Pump	1
7.	25	25-37092-00	Gasket	1
18.	9	25-37561-00	Gasket, Thermostat Housing	1
17.	14	25-37537-00	Gasket, Pump Cover	1
16.	13	25-37500-01	Gasket, Control Plate (S/N 22625 and Up)	1
21.3.	2	25-34216-00	Gasket, Injector	4
1./14.	29/37	25-35136-05	Gasket	4
7.	17	25-37151-01	Gasket, Copper (Starting With Engine S/N 2980)	1
13.1/14	29/9	25-37197-00	Seal, Oil	1
6.	6	25-37265-00	Seal, Valve Stem	8
12.1.	27	25-37396-01	Seal, Oil - Front (Starting With Engine S/N 16077)	1
16.	3	25-37492-00	Gasket, Adjusting Bolt	2
21/23.1	10/9	25-37589-00	Gasket, Banjo	2
21.2.	3	25-38155-02SV	Carbon Ring	4
14.	30	25-38667-00	O-Ring	1
21.3.	3	25-39147-00	Seal, Heat (Injector)	4

28.6. Gasket Set - CT4-114-TV**NOTE: Refer To Appropriate Group For Illustration**

GROUP	ITEM	PART NO.	DESCRIPTION	QTY
NS	NS	25-39008-00	Gasket Kit - Includes:	1
5.	16	25-39113-00	Gasket, Cylinder Head (CT4-114-TV)	1

28.7. Gasket Set - Supplement For Ultra**NOTE: Refer To Appropriate Group For Illustration**

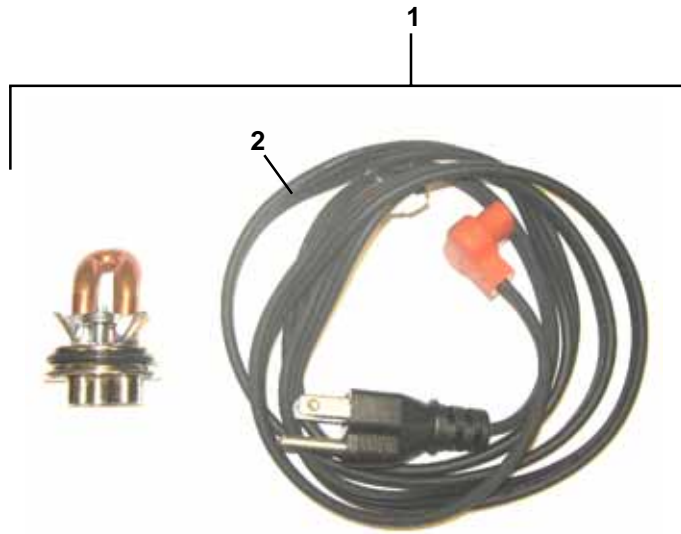
GROUP	ITEM	PART NO.	DESCRIPTION	QTY
NS	NS	25-39007-01	Gasket Set (Supplement For Ultra) - Includes:	1
2.1./ 2.2.	2/3	25-39027-00	Gasket, Oil Pan	1
2.2.	4	25-39028-00	Gasket, Oil Pan Cover	1
2.2.	14	25-39032-00	O-Ring	1
2.2.	9	25-36739-00	Gasket	1
7.	35	25-39056-00	O-Ring (Small)	1
7.	36	25-39057-00	O-Ring (Large)	1
26.	2	25-39171-00	Gasket, Solenoid	1
16.	8	25-39200-00	O-Ring	1
7.	9	25-39054-00	Gasket, Gear Case	1

29. ENGINE REBUILD KIT - CT4-114-IDI

NOTE: Refer To Appropriate Group For Illustration

GROUP	ITEM	PART NO.	DESCRIPTION	QTY
NS	NS	25-37014-00	Kit, Engine Rebuild - CT4-114-IDI - Includes:	1
28.1.	-	25-37016-00	Gasket, Set	1
1.	7	25-37030-00	Plug, Expansion	3
1.	8	25-37031-00	Plug, Expansion	1
1.	9	25-37032-00	Cap, Sealing	6
1.	10	25-37033-00	Cap, Sealing	2
1.	19	25-37040-00	Pump, Oil	1
5.	9	25-37106-00	Cap, Sealing	12
5.	10	25-37107-00	Cap, Sealing	1
5.	12	25-39036-00	Guide, Inlet Valve	4
4.	3	25-37302-00	Element, Breather	1
12.1.	4	NSS	Piston Pin	4
12.1.	5	NSS	Circlip	8
12.1.	19	25-37384-04	Bearing, Connecting Rod	4
12.1.	13	25-37385-02	Wear Sleeve - Rear	1
12.1.	23	25-37388-00	Wear Sleeve - Front	1
12.1.	15	NSS	Thrust washer - Upper	2
12.1.	16	NSS	Thrust washer - Lower	2
12.1.	8	25-37401-00	Bushing, Piston Pin (Requires Precision Honing)	4
12.1.	3	NSS	Piston	4
12.1.	2	25-37406-00	Ring Set, Piston (+0.5mm)	4
12.1.	17	NSS	Bearing, Crankshaft (+0.2mm)	1
12.1.	18	NSS	Bearing, Crankshaft (+0.2mm)	8
18.	3	25-37556-00	Hose, Water Return	1
18.	6	NSS	Thermostat	1
19.	1	25-37581-00	Pump Assembly, Water	1
21.1.	12	25-37614-00	Glow Plug	4
23.	2	25-37625-00	Injector	4
5.	13	25-39037-00	Guide, Exhaust Valve	4
NS	NS	25-37020-00	Kit, Soft Plug (Engine Block)	1
NS	NS	25-37021-00	Kit, Soft Plug (Cylinder Head)	1

30. ACCESSORIES AND SERVICE PARTS



Item	Part Number	Description	Qty
1	25-38774-00	Heater, Engine Block - Includes:	1
2	25-38774-01	Extension Cord, Engine Block Heater (60" Long)	1

PART NUMBER INDEX

PART NO.	PAGE NO.	PART NO.	PAGE NO.	PART NO.	PAGE NO.
07-00249-00	36	25-35605-00	41	25-36635-00	39
07-00250-00	36	25-35606-00	41	25-36636-00	39
25-15020-00	8	25-35607-00	41	25-36639-00	39
25-15070-00	6	25-35609-00	41	25-36644-00	39
25-15071-00	6	25-35610-00	41	25-36646-00	39
25-27230-10	15	25-35611-00	41	25-36652-00	39
25-34169-00	22	25-35612-00	41	25-36683-00	13, 32
25-34210-00	41	25-35613-00	41	25-36715-00	27
25-34211-00	41	25-35626-00	38	25-36738-00SV	5
25-34212-00	41	25-35628-00	38	25-36739-00	5, 56
25-34213-00	41	25-35629-00	38, 40	25-36830-00	31, 51, 52, 53
25-34216-00	37, 55	25-35638-00	38	25-37014-00	57
25-34259-00	30	25-35639-00	38	25-37016-00	51, 57
25-35029-00	18	25-35641-00	38, 40	25-37020-00	57
25-35031-00	3	25-35642-00	38, 40	25-37021-00	54, 57
25-35032-00	3, 9, 51, 52, 53, 54, 55	25-35643-00	38, 40	25-37026-00	3
25-35045-00	5	25-35644-00	38, 40	25-37027-00	3
25-35136-05	3, 7, 27, 51, 52, 53, 55	25-35645-00	38, 40	25-37028-00	3
25-35209-00	7	25-35646-00	38, 40	25-37029-00	3
25-35237-00	34	25-35653-00	39	25-37030-00	3, 57
25-35354-00	29	25-35675-00	33	25-37031-00	3, 57
25-35389-00	27	25-35677-00	31, 33	25-37032-00	3, 57
25-35458-02	44	25-35678-00	13, 30	25-37033-00	3, 57
25-35458-03	44	25-35680-00	14	25-37034-00	3
25-35458-04	44	25-35681-00	24, 25, 33	25-37035-00	3
25-35458-05	42, 44	25-35684-00	13, 27, 30, 31, 49	25-37036-00	3
25-35458-06	44	25-35685-00	8, 11, 16, 32, 33, 34	25-37037-00	3
25-35458-08	42, 44	25-35687-00	4, 8, 13, 14, 15, 16, 17, 27, 32, 33, 34	25-37038-00	3
25-35458-09	43, 46, 47			25-37039-00	3
25-35458-10	43	25-35692-00	3, 11, 13, 27, 29, 30, 33, 39, 49	25-37040-00	3, 57
25-35458-12	43			25-37041-00	3, 51, 52, 53, 55
25-35458-13	43			25-37042-00	3
25-35458-16	44	25-36127-00	12	25-37043-00	3
25-35476-00	35, 51	25-36498-00	48, 51, 52	25-37044-00	3, 4
25-35488-00	32, 34	25-36629-00	39	25-37045-00	3
25-35524-00	30	25-36630-00	39	25-37046-00	3
25-35531-00	8, 11, 13, 29	25-36631-00	39	25-37048-00	3
25-35604-00	41	25-36632-00	39	25-37049-00	3
				25-37075-00	4

PART NUMBER INDEX

PART NO.	PAGE NO.	PART NO.	PAGE NO.	PART NO.	PAGE NO.
25-37077-00	4, 5	25-37152-00	13	25-37266-00	10
25-37078-00	4	25-37153-00	13	25-37267-00	11
25-37079-00	4, 5	25-37154-00	13	25-37267-02	11
25-37082-00	4	25-37155-00	13	25-37268-00	11
25-37084-04	51, 52, 53	25-37156-00	13, 51, 52, 53, 55	25-37269-00	11
25-37085-00	6	25-37157-00	13	25-37270-00	11
25-37087-00	6	25-37157-01	13	25-37271-00	11
25-37089-00	6	25-37158-00	13, 51, 52, 53, 55	25-37272-00	11
25-37091-00	51, 52	25-37159-00	13	25-37273-00	11
25-37092-00	13, 51, 52, 53, 55	25-37186-00	24	25-37275-00	11
25-37105-00	8	25-37187-00	24	25-37276-00	11
25-37106-00	8, 57	25-37188-00	25	25-37277-00	11
25-37107-00	8, 57	25-37189-00	25	25-37300-00	7
25-37108-00	8	25-37190-00	25	25-37301-00	7
25-37111-00	9	25-37191-00	25	25-37302-00	7, 57
25-37115-03	51	25-37191-01	25	25-37303-00	7
25-37115-04	9	25-37192-00	25	25-37304-00	7
25-37116-00	9	25-37193-00	24	25-37305-00	7
25-37117-00	9	25-37194-00	24	25-37306-00	7
25-37118-00	9	25-37195-01	24, 51, 52	25-37307-00	7, 51, 52, 53, 54, 55
25-37119-00	8	25-37197-00	24, 25, 51, 52, 53, 55	25-37308-00	7
25-37120-00	9	25-37198-00	19, 21, 23	25-37310-00	6, 7, 51, 52, 53, 55
25-37140-01	12	25-37230-00	15	25-37350-00	14
25-37141-00	12	25-37231-00	15, 51	25-37352-00	14
25-37142-00	12, 51, 52, 53, 55	25-37235-00	16	25-37353-00	14
25-37143-00	13, 51, 52, 53, 55	25-37235-01	16	25-37354-00	14
25-37144-00	13	25-37236-01	16, 51, 52, 53, 54, 55	25-37354-02	14
25-37145-00	13, 51, 52, 53, 55	25-37237-00	16	25-37355-00	14
25-37146-00	13	25-37238-00	16, 51, 52, 53, 54, 55	25-37356-00	14
25-37147-00	13	25-37260-00	10	25-37357-00	14
25-37148-00	33	25-37261-00	10	25-37358-00	14
25-37149-00	13	25-37262-00	10	25-37360-00	14
25-37150-00	13	25-37263-00	10	25-37383-00	18, 20
25-37150-01	13	25-37264-00	10	25-37384-00	18
25-37151-00	13	25-37265-00	10, 51, 52, 53, 54, 55	25-37384-04	19, 57
25-37151-01	13, 51, 52, 53, 55			25-37384-13	18, 21, 22
				25-37385-02	18, 21, 22, 57
				25-37386-00	19, 21, 23
				25-37387-00	19, 21, 23

PART NUMBER INDEX

PART NO.	PAGE NO.	PART NO.	PAGE NO.	PART NO.	PAGE NO.
25-37388-00	19, 21, 23, 57	25-37442-00	27	25-37558-00	32, 51, 52, 53, 54, 55
25-37389-00	19, 21, 23, 51, 52, 53, 55	25-37443-00	27	25-37559-01	32
25-37390-00	19, 21, 23	25-37445-00	27	25-37560-01	32
25-37391-00	19, 21, 23	25-37446-00	27, 51, 52, 53	25-37561-00	32, 51, 52, 53, 54, 55
25-37396-01	19, 21, 23, 51, 52, 53, 55	25-37447-00	27	25-37574-00	33
25-37397-00	18	25-37449-00	27	25-37580-05	33
25-37398-00	19	25-37460-00	29	25-37580-07	50
25-37399-00	19, 21	25-37461-00	29	25-37580-08	33
25-37401-00	18, 57	25-37462-00	29	25-37580-20	33
25-37402-00	50	25-37465-00	29	25-37581-00	57
25-37406-00	18, 20, 57	25-37466-00	29	25-37581-10	33
25-37407-00	19	25-37468-00	29	25-37585-00	38
25-37408-00	19	25-37469-00	29	25-37586-00	40
25-37409-00	19, 21	25-37471-00	29	25-37587-00	38
25-37410-00	19, 21	25-37472-00	29	25-37588-00	38, 39, 40
25-37411-00	19	25-37473-00	29	25-37589-00	34, 38, 39, 40, 51, 52, 53, 55
25-37414-00	19	25-37474-00	29		
25-37417-00	18	25-37474-01	29	25-37590-00	38, 40
25-37417-05	18	25-37485-00	34	25-37591-00	34
25-37420-10	17	25-37490-00	30	25-37592-00	34
25-37420-12	17	25-37491-00	30	25-37593-00	34
25-37421-01	17	25-37492-00	30, 51, 52, 53, 55	25-37594-00	27, 34
25-37422-01	17	25-37493-00	30	25-37597-00	38
25-37423-00	17	25-37496-00	30	25-37598-00	38
25-37424-00	17	25-37498-00	30	25-37599-00	38, 40
25-37425-00	17	25-37500-01	30, 51, 52, 53, 55	25-37600-00	38
25-37426-00	17	25-37502-00	30	25-37610-00	35
25-37430-05	26, 27	25-37503-00SV	30	25-37611-00	35
25-37431-00	26	25-37525-00	31	25-37612-00	35
25-37432-00	27	25-37530-00	31, 51, 52, 53, 55	25-37613-00	35
25-37433-00	27	25-37531-00SV	31	25-37614-00	35, 57
25-37434-00	27	25-37535-00	51	25-37614-10	35
25-37435-00	27	25-37537-00	31, 51, 52, 53, 55	25-37615-00	35
25-37436-00	27	25-37538-00	31	25-37616-01	35
25-37438-00	27	25-37556-00	32, 57	25-37625-00	35, 41, 57
25-37439-00	27	25-37557-00	32	25-37626-00	41
25-37440-00	27			25-37633-00	45
25-37441-00	27			25-37643-00	44

PART NUMBER INDEX

PART NO.	PAGE NO.	PART NO.	PAGE NO.	PART NO.	PAGE NO.
25-37645-00	44	25-38025-00	3	25-38160-05	26
25-37646-00	44	25-38045-00	8	25-38163-01	27
25-37647-03	43, 44	25-38046-01	9, 52	25-38165-00	27
25-37647-04	43, 44	25-38048-00	9	25-38167-00	27
25-37648-00	44	25-38050-00	9	25-38169-00	27
25-37649-00	44	25-38052-00	9	25-38175-00	29
25-37657-00	4, 5, 8	25-38053-00	9	25-38180-00	29
25-37659-00	15, 32, 34	25-38065-00	25	25-38182-00	29
25-37660-00	24, 25	25-38066-00	25	25-38210-01	39
25-37662-00	13, 32	25-38067-00	25	25-38211-00	39
25-37663-00	17	25-38075-00	15	25-38212-00	39
25-37664-00	32	25-38076-00	15, 52, 53, 54, 55	25-38215-00	48
25-37665-00	13	25-38085-00	10	25-38252-00	4
25-37670-00	17	25-38086-00	10	25-38290-00	24
25-37671-00	33	25-38105-00	14	25-38408-00	29
25-37672-00	13, 30, 49	25-38109-05SV	49	25-38505-00	3
25-37680-00	17, 45	25-38110-00	49	25-38513-00	53
25-37681-00	17, 27, 45	25-38115-02	20	25-38525-00	8
25-37686-00	30	25-38115-11	20	25-38528-00	9
25-37687-00	45	25-38118-00	21, 22	25-38529-01	9, 53
25-37690-00	17, 27, 45	25-38121-00	21, 22	25-38530-01	9
25-37695-00	3, 13	25-38122-01	21, 23	25-38532-00	9, 55
25-37700-00	14, 19, 21, 23	25-38122-02	21, 23	25-38544-00	24
25-37727-00	42	25-38124-00	20, 22	25-38550-00	24
25-37728-00	43	25-38124-01	20, 22	25-38551-00	25
25-37729-00	43	25-38125-02	21	25-38552-00	25
25-37730-00	43	25-38126-00	21	25-38553-00	25
25-37731-00	42	25-38126-01	21	25-38557-00	24, 53, 55
25-37731-01	43, 44, 45	25-38126-02	21	25-38558-00	24
25-37732-00	42	25-38128-00	19	25-38565-00	15
25-37737-00	43	25-38140-00	35, 36, 37	25-38580-00	7
25-37738-00	42, 46, 47	25-38143-00	36	25-38581-00	7
25-37739-00	43	25-38150-01	36	25-38582-00	7
25-37740-00	43	25-38152-00	36	25-38582-03	7
25-37741-00	43	25-38153-00	36	25-38583-00	7
25-37742-00	43, 46, 47	25-38155-00	36	25-38600-00	14
25-37743-00	42	25-38155-01	36, 52, 53, 54	25-38611-00	20, 22
25-37744-00	42	25-38155-02SV	36, 52, 53, 54, 55	25-38611-01	20, 22
25-38010-00	52			25-38612-00	21, 22
				25-38613-01	21

PART NUMBER INDEX

PART NO.	PAGE NO.	PART NO.	PAGE NO.	PART NO.	PAGE NO.
25-38614-00	21	25-38710-01	31	25-39030-00	5
25-38632-00	17	25-38717-00	24, 25, 51, 52, 53, 55	25-39032-00	5, 51, 52, 53, 55, 56
25-38640-00	36	25-38735-00	32	25-39035-00	8
25-38645-00	36	25-38740-00	39	25-39036-00	8, 57
25-38646-00	36	25-38741-00	34	25-39037-00	8, 57
25-38647-00	36	25-38742-00	39	25-39039-00	9
25-38648-00	36	25-38743-00	39	25-39046-00	12
25-38655-00	26	25-38744-00	39	25-39050-00	12
25-38660-00	27	25-38745-00	39	25-39051-00	12
25-38661-00	27	25-38746-00	39	25-39054-00	13, 56
25-38662-00	27	25-38747-00	39	25-39055-00	13
25-38663-00	27	25-38748-00	39	25-39056-00	13, 56
25-38664-00	27, 51, 52, 53, 55	25-38749-00	39	25-39057-00	13, 56
25-38665-00	27	25-38750-00	42	25-39058-00	13
25-38666-00	27, 48	25-38750-00RM	42	25-39059-00	13
25-38666-01	48	25-38751-00	43, 44	25-39070-00	7
25-38666-02	48	25-38752-00	44	25-39075-00	15
25-38666-03	48	25-38767-00	45	25-39077-00	16
25-38666-04	48	25-38774-00	58	25-39085-00	10
25-38666-05	48	25-38774-01	58	25-39086-00	10
25-38666-06	48	25-39006-00	55	25-39087-00	9
25-38666-07	48	25-39007-01	56	25-39088-00	9
25-38666-08	48	25-39008-00	56	25-39090-00	11
25-38666-09	48	25-39010-00	3	25-39092-00	11
25-38666-10	48	25-39011-00	3	25-39100-00	14
25-38666-11	48	25-39012-00	3	25-39106-00	37
25-38666-12	48	25-39015-00	3	25-39107-00	41
25-38666-13	48	25-39016-00	40	25-39110-01	20
25-38666-14	48	25-39017-00	40	25-39110-03	21
25-38666-16	48	25-39018-00	40	25-39112-00	21, 22
25-38667-00	27, 51, 52, 53, 55	25-39019-00	40	25-39113-00	9, 56
25-38668-00	27	25-39021-00	5, 13	25-39116-01	21
25-38670-00	27	25-39022-00	13	25-39117-03	20
25-38673-00	27	25-39023-00	11	25-39119-00	20
25-38674-00	27	25-39026-00	5	25-39119-01	20
25-38675-00	29	25-39027-00	4, 5, 51, 52, 53, 55, 56	25-39120-00	19, 21
25-38676-00	29	25-39028-00	5, 56	25-39121-00	21
25-38705-00	30, 31	25-39029-00	5	25-39122-00	21, 23
				25-39123-00	13
				25-39125-01	17

PART NUMBER INDEX

PART NO.	PAGE NO.	PART NO.	PAGE NO.	PART NO.	PAGE NO.
25-39126-00	17	25-39176-01	21, 22	25-39277-00	5
25-39127-01	20	25-39176-03	22	25-39291-00	45, 46
25-39128-01	20	25-39180-00	26	25-39292-00	5
25-39131-00	17	25-39183-00	27	25-39293-00	17
25-39135-00	45, 47	25-39185-00	46, 47	25-39306-00	50
25-39135-00RM	45	25-39186-00	46, 47	25-39307-00	50
25-39135-01	45	25-39190-00	30	25-39312-00	50
25-39135-02	45	25-39191-00	30	25-39316-00	45, 47
25-39135-03	46	25-39193-00	30	25-39321-00	13
25-39137-00	45, 46	25-39194-00	51, 52	25-39323-00	47
25-39138-00	45	25-39194-01	30	25-39324-00	47
25-39145-00	37	25-39195-00	30	25-39325-00	47
25-39145-01	41	25-39200-00	30, 51, 52, 53, 55, 56	25-39326-00	47
25-39146-00	37			25-39327-00	47
25-39147-00	37, 55	25-39205-00	29	25-39328-00	47
25-39148-00	37	25-39208-00	29	25-39329-00	47
25-39148-01	37	25-39210-00	29	25-39341-00	22
25-39148-02	37	25-39211-00	29	25-39371-00	25
25-39148-03	37	25-39213-00	29	25-39372-00	25
25-39149-00	41	25-39214-00	29	25-39373-00	25
25-39150-00	41	25-39215-00SV	31	25-39374-00	25
25-39151-00	41	25-39218-00	31	25-39375-00	25
25-39152-00	41	25-39219-00	29	25-39376-00	25
25-39153-00	14	25-39226-00	33	25-39377-00	25
25-39154-00	8	25-39227-00	33	25-39378-00	23
25-39155-00	37	25-39235-00	32	25-39379-00	23
25-39156-00	37	25-39236-01	32	25-39380-00	23
25-39159-00	37	25-39240-00	46, 47	25-39392-00	34
25-39160-00	40	25-39241-00	46, 47	25-39400-00	23
25-39161-00	40	25-39242-00	46, 47	25-39401-00	23
25-39162-00	40	25-39243-00	46	25-39402-00	23
25-39163-00	40	25-39244-00	46	25-39403-00	23
25-39164-00	40	25-39245-00	46, 47	25-39404-00	23
25-39165-00	40	25-39246-00	46, 47	25-39405-00	23
25-39166-00	40	25-39247-00	46, 47	25-39412-00	21, 22
25-39167-00	40	25-39248-00	46	25-39413-00	21, 22
25-39168-00	40	25-39249-00	46, 47	25-39415-00	21
25-39171-00	49, 56	25-39250-00	45	25-39675-00	40
25-39174-00	34	25-39276-00	5	25-39676-00	40
				25-70123-00	46
				29-70123-00	47

PART NUMBER INDEX

PART NO.	PAGE NO.	PART NO.	PAGE NO.	PART NO.	PAGE NO.
29-70223-00	46, 47	34-00964-00	16	7103057	46
29-70227-00	46, 47	44-00045-06	7	7103058	46
30-00323-00	13	44-00045-25	35, 36, 37	941598	46, 47
30-00463-00	13	58-00659-00	35, 36, 37	944030	27
34-00932-14	16	7103056	46		



A member of the United Technologies Corporation family.
Stock symbol UTX



**United
Technologies**

Climate | Controls | Security

Carrier Transicold Division,
Carrier Corporation
P.O. Box 4805
Syracuse, N.Y. 13221 U.S.A

www.carrier.transicold.com