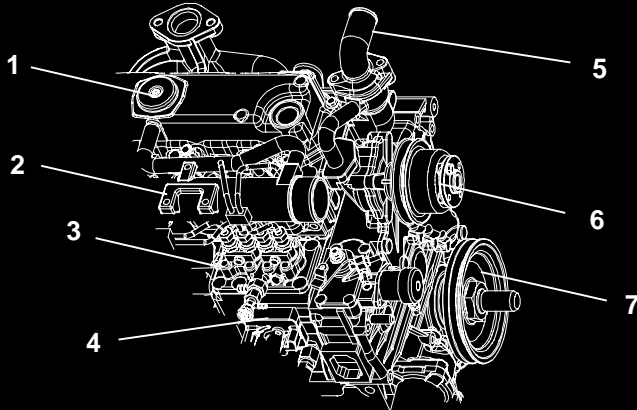




Diesel Engine



SERVICE PARTS LIST
for
CT4-134-DI (V2203-DI)
Serial Numbers XA0001 thru 3Y0014

NOTE:

CT4-134-DI Engines prior to serial number XA0001
use Parts List 62-03459
Engines beginning with Serial Number 3Y0015 use
Parts List 62-10863.



TRANSICOLD

SERVICE PARTS LIST

DIESEL ENGINE

CT4-134-DI (V2203-DI)

Serial Numbers XA0001 thru 3Y0014

TABLE OF CONTENTS

INTRODUCTION	ii
REPLACEMENT ENGINE PART NO.	ii
ENGINE SERIAL NUMBER MATRIX	ii
ORDERING INSTRUCTIONS	ii
GENERAL NOTES	ii
1. CRANKCASE	1
2. OIL PAN	2
3. CYLINDER HEAD	3
4. GEAR CASE	4
5. HEAD COVER	5
6. OIL FILTER	6
7. DIPSTICK	7
8. OIL PUMP	8
9. BREATHER	9
10. MAIN BEARING CASE	10
11. CAMSHAFT AND IDLE GEAR SHAFT	11
12. PISTON AND CRANKSHAFT	12
13. FLYWHEEL	14
14. FUEL CAMSHAFT	15
15. ENGINE STOP LEVER	16
16. STOP SOLENOID	17
17. INJECTION PUMP	18
18. GOVERNOR	19
19. SPEED CONTROL PLATE	20
20. INJECTORS AND GLOW PLUGS	21
21. FUEL PUMP	22
22. FUEL PUMP ASSEMBLY	23
23. PULLEY	24
24. STARTER	25
25. STARTER ASSEMBLY	26
26. PLUG	27
27. THERMOSTAT	28
28. WATER PUMP	29
29. VALVES AND ROCKER ARMS	30
30. INLET MANIFOLD	31
31. EXHAUST MANIFOLD	32
32. GASKET SET	33
33. ACCESSORIES AND SERVICE PARTS	35

INTRODUCTION

This parts list identifies service replacement parts for the Carrier Transicold models listed in the following Model Chart. The diesel engines are manufactured exclusively for Carrier Transicold transport refrigeration by Kubota.

REPLACEMENT ENGINE PART NO.

Table 1-1. Model Chart

MODEL NO.	ENGINE TYPE	NEW ENGINE PART NO.	PRIMARY USE	REPLACES
V2203-DI-E2B-CTD-7	CT4-134-DI (1700 RPM)	26-00119-00	Extra XT, Ultra XT, Ultra XTC, Multi-Temp, & Smart Air	26-00115-03SV
V2203-DI-E2BG-CTD-6	CT4-134-DI (1800 RPM)	26-00119-01	GENSET	26-00115-01
V2203-DI-E2B-CTD-4	CT4-134-DI (2200 RPM)	26-00119-02	Ultima 53 & Ultima XTC	26-00115-03SV

ENGINE SERIAL NUMBER MATRIX

Old Serial Number:

654321 6 digits all in numerals

New Serial Number:

Y A 4321
 ↑ ↑ ↑
 Lower 4 digits in numerals

5th Digit Alphabetical Letter (Month of Manufacture).

Alphabetical letter	A,B	C,D	E,F	G,H	J,K	L,M	N,P	Q,R	S,T	U,V	W,X	Y,Z
Month	Jan	Feb	Mar	Apr	May	Jun	Jul	Aug	Sep	Oct	Nov	Dec

6th Digit Alphabetical Letter or Numerals (Year of Manufacture).

Alphabetical letter or numerals	W	X	Y	1	2	3	4	5	6	7	8	9
Year	98	99	00	01	02	03	04	05	06	07	08	09

ORDERING INSTRUCTIONS

All orders and inquiries for parts must include:

- Unit Serial Number
- Part No.
- Description of Part
- Quantity Required

Address all correspondence for parts to the following address:

CARRIER TRANSICOLD DIVISION
 Replacement Components Group, TR-20
 P.O. Box 4805, Syracuse, NY 13221

OR
 Fax to : (315) 432-3778

GENERAL NOTES

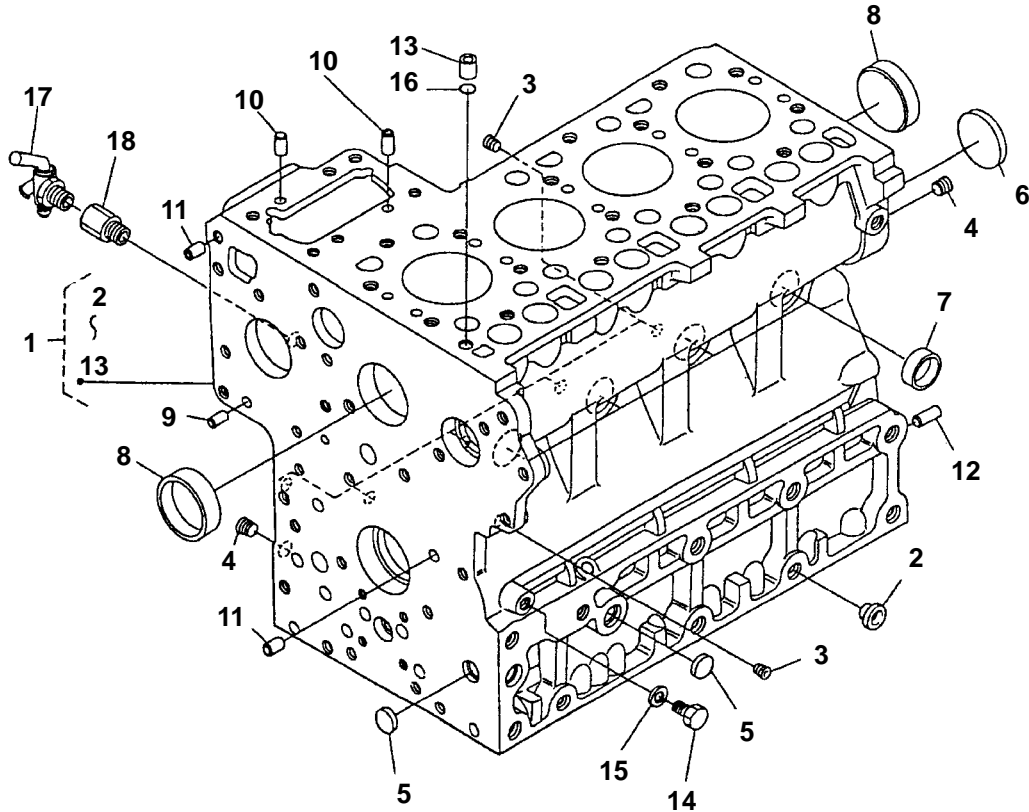
To find replacement parts, consult table of contents, and turn to the appropriate page for the illustrated breakdown of replacement parts. The following letter designations are used to classify parts throughout this list:

- | | | | |
|-----|-------------------|-----|--|
| A/R | As Required | NSS | Not Sold Separately - order next higher assembly or kit. |
| PL | Purchase Locally. | S/N | Serial Number |

CT4-134-DI

ITEM	PART NO.	DESCRIPTION	QTY
------	----------	-------------	-----

1. CRANKCASE

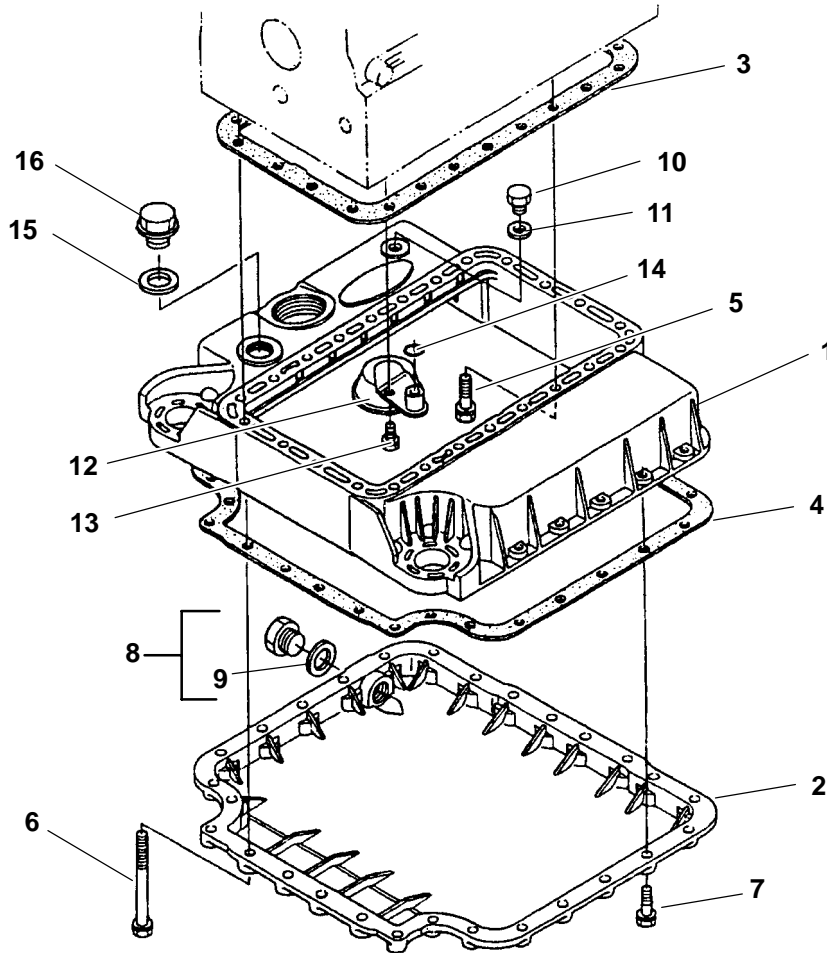


1	25-39013-00	CRANKCASE, ASSEMBLY - Prior to S/N 3S0001 - Includes:	1
	25-39345-00	CRANKCASE, ASSEMBLY - Starting with S/N 3S0001 - Includes:	1
2	25-37029-00	PLUG	2
3	25-37026-00	PLUG	5
4	25-37028-00	PLUG	2
5	25-39015-00	CAP, SEALING	3
6	25-37031-00	CAP, SEALING	1
7	25-37032-00	CAP, SEALING	6
8	25-37033-00	CAP, SEALING	2
9	25-37034-00	PIN, STRAIGHT	2
10	25-37035-00	PIN, STRAIGHT	2
11	25-37695-00	PIN, STRAIGHT	2
12	25-37036-00	PIN, STRAIGHT	1
13	25-35031-00	PIN, PIPE	1
14	25-37048-00	PLUG	1
15	25-35136-05	GASKET, COPPER O-RING	1
16	25-35032-00	O-RING	1
17	25-37039-00	COCK, DRAIN	1
18	25-37037-00	ADAPTER, DRAIN COCK	1

CT4-134-DI

ITEM	PART NO.	DESCRIPTION	QTY
------	----------	-------------	-----

2. OIL PAN

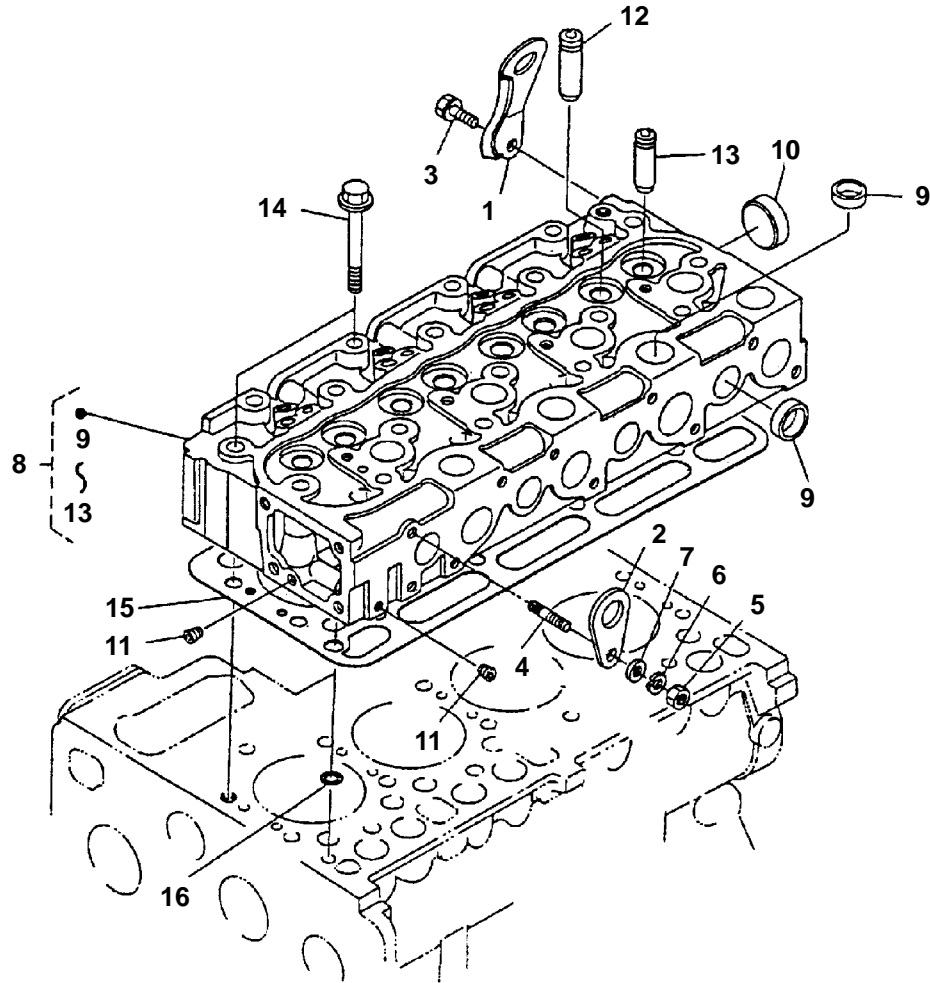


1	25-39292-00	PAN, OIL 2 PC TOP	1
2	25-39026-00	COVER, OIL PAN 2 PC BOTTOM	1
3	25-39027-00	GASKET, OIL PAN	1
4	25-39028-00	GASKET, OIL PAN COVER 2 PC	1
5	25-39030-00	BOLT, METRIC (M10)	16
6	25-37077-00	BOLT, (M10)	8
7	25-39021-00	BOLT	20
8	25-36738-00SV	PLUG & GASKET - Includes:	1
9	25-36739-00	GASKET, COPPER O-RING	1
10	25-39029-00	PLUG	1
11	25-35045-00	GASKET, COPPER O-RING	1
12	25-37079-00	SCREEN FILTER, OIL PUMP PICKUP	1
13	25-37657-00	BOLT, M8 X 16 mm LONG GRADE 7	1
14	25-39032-00	O-RING, OIL PICKUP TUBE	1
15	25-39276-00	GASKET, COPPER O-RING	1
16	25-39277-00	PLUG	1

CT4-134-DI

ITEM	PART NO.	DESCRIPTION	QTY
------	----------	-------------	-----

3. CYLINDER HEAD

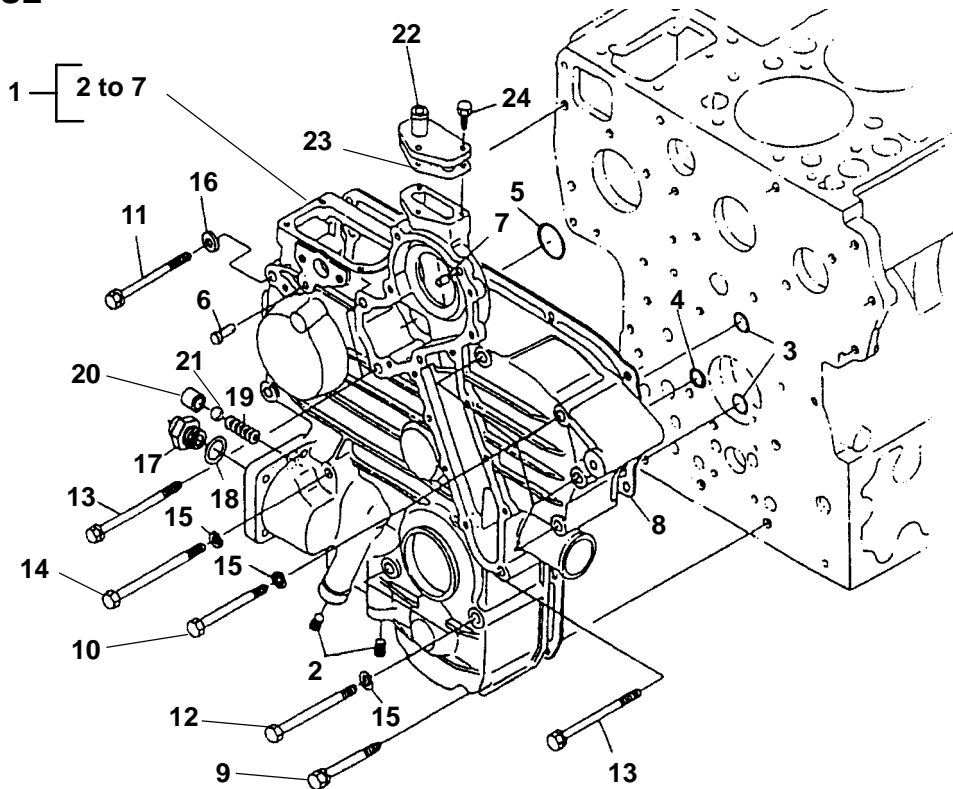


1	25-15019-00	LIFTING EYE	1
2	25-15020-00	LIFTING EYE	1
3	25-37657-00	BOLT, M8 X 16 mm LONG GRADE 7	1
4	25-37119-00	STUD	1
5	25-35685-00	NUT, HEX M8	1
6	25-35687-00	WASHER, SPRING M8	1
7	25-35531-00	WASHER, PLAIN M8	1
8	25-39305-00	CYLINDER HEAD - Includes:	1
9	25-37106-00	CAP, SEALING	12
10	25-37107-00	CAP, SEALING	1
11	25-37108-00	PLUG	2
12	25-39036-00	GUIDE, INTAKE (REAM TO SIZE)	4
13	25-39068-00	GUIDE, EXHAUST (REAM TO SIZE)	4
14	25-38528-00	BOLT, CYLINDER HEAD	18
15	25-38532-00	GASKET, CYLINDER HEAD	1
16	25-39032-00	O-RING	1

CT4-134-DI

ITEM	PART NO.	DESCRIPTION	QTY
------	----------	-------------	-----

4. GEAR CASE

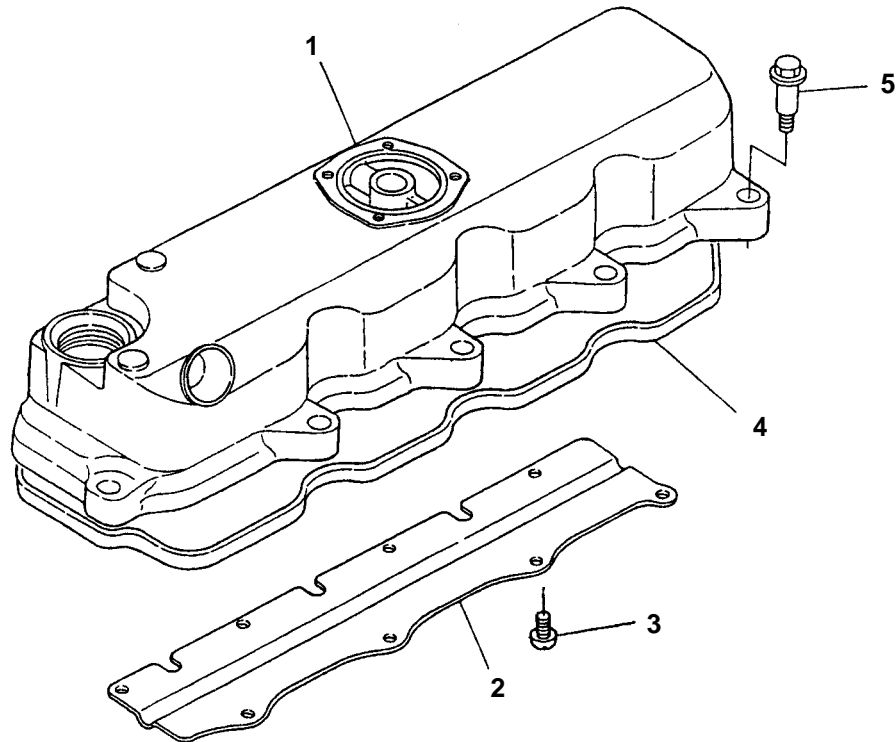


1	25-39050-00	GEAR CASE COVER, ASSY - Includes:	1
2	25-39051-00	PLUG, GEAR CASE	2
3	25-37142-00	O-RING	2
4	25-39046-00	O-RING	1
5	25-37143-00	O-RING	1
6	25-37144-00	PIN, START SPRING	1
7	25-37695-00	PIN, STRAIGHT	2
8	25-39054-00	GASKET, GEAR CASE	1
9	25-37146-00	BOLT	2
10	25-37665-00	BOLT	5
11	25-15302-00	BOLT	1
12	25-37147-00	BOLT	2
13	25-37148-00	BOLT	3
14	25-37149-00	BOLT	2
15	25-35687-00	WASHER, SPRING	9
16	25-35531-00	WASHER, PLAIN	1
17	25-39059-00	ADAPTER, OIL FILTER NIPPLE	1
18	25-37151-00	GASKET, STEEL O-RING	1
19	25-37152-00	SPRING, OIL PSI REGULATOR	1
20	25-39066-00	SEAT, OIL PSI REGULATOR VALVE	1
21	25-37154-00	BALL, OIL PSI REGULATOR	1
22	25-37155-00	FLANGE, WATER RETURN	1
23	25-37156-00	GASKET, WATER RETURN FLANGE	1
24	25-35678-00	BOLT	3

CT4-134-DI

ITEM	PART NO.	DESCRIPTION	QTY
------	----------	-------------	-----

5. HEAD COVER

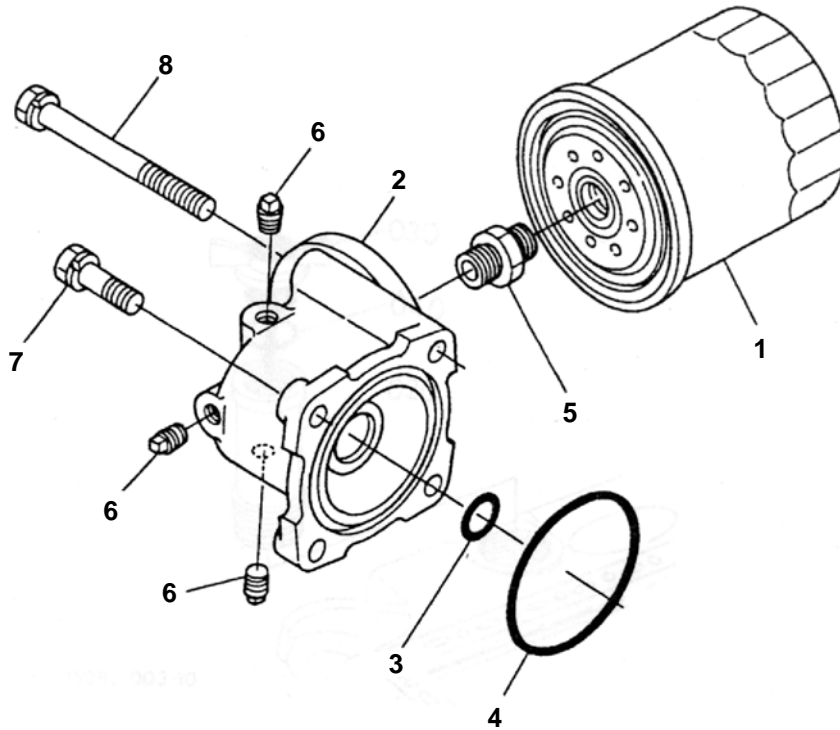


1	25-38769-00	VALVE COVER	1
2	25-38712-00	SHIELD, BREATHER	1
3	25-36197-00	SCREW	8
4	25-38713-00	GASKET, VALVE COVER	1
5	25-38714-00	BOLT	10

CT4-134-DI

ITEM	PART NO.	DESCRIPTION	QTY
------	----------	-------------	-----

6. OIL FILTER



Prior to S/N 3A0001			
1	30-00323-00	CARTRIDGE, OIL FILTER	1
2	25-39123-00	ADAPTER, OIL FILTER HOUSING - Use with 30-00323-00	1

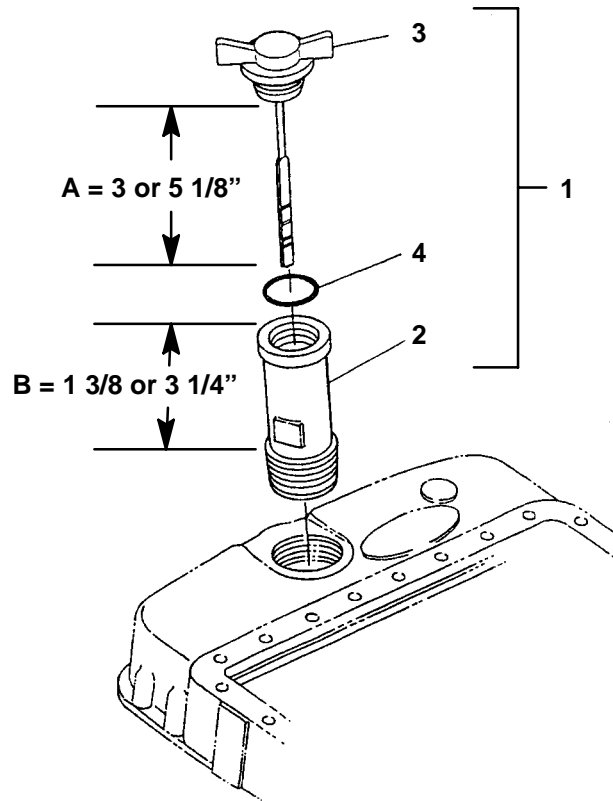
Starting with S/N 3A0001 or If Converted to Extended Maintenance			
1	30-00463-00	OIL FILTER, EXTENDED MAINTENANCE	1
2	25-39321-00	ADAPTER, OIL FILTER HOUSING - Use with 30-00463-00	1

3	25-39056-00	O-RING	1
4	25-39057-00	O-RING	1
5	25-37150-00	ADAPTER, OIL FILTER NIPPLE	1
6	25-36683-00	PLUG	3
7	25-39021-00	BOLT	2
8	25-39022-00	BOLT	2

CT4-134-DI

ITEM	PART NO.	DESCRIPTION	QTY
------	----------	-------------	-----

7. DIPSTICK

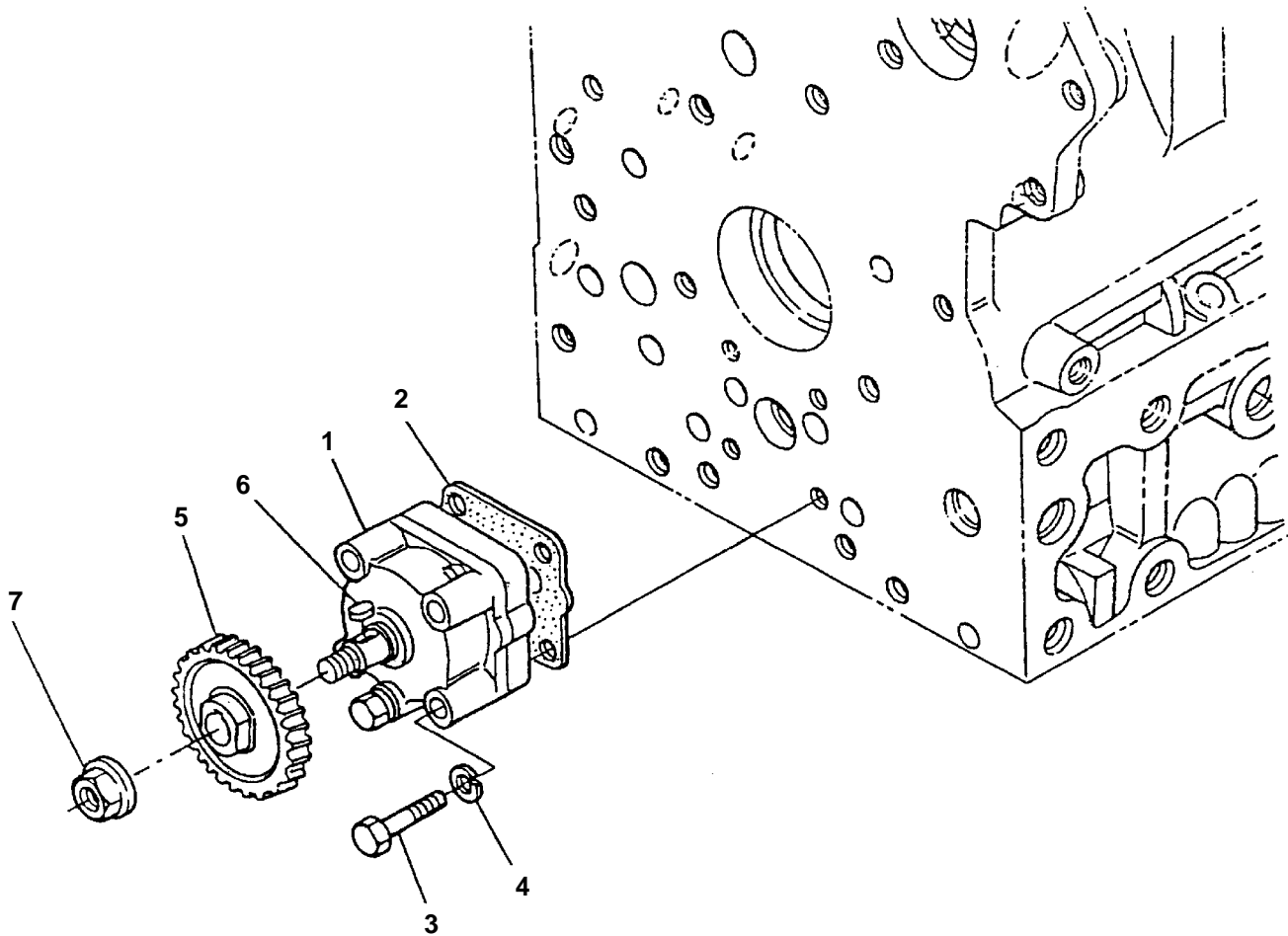


1	25-37089-00	KIT, DIPSTICK & FILL TUBE - Includes:	1
2	25-37087-00	TUBE, OIL FILL - LONG B Approximately 3 1/4"	1
3	25-37085-00	DIPSTICK / FILL CAP - LONG A Approximately 5 1/8"	1
4	25-37310-00	O-RING	1
2	25-15071-00	TUBE, OIL FILL - SHORT B Approximately 1 3/8"	1
3	25-15070-00	DIPSTICK / FILL CAP - SHORT A Approximately 3"	1

CT4-134-DI

ITEM	PART NO.	DESCRIPTION	QTY
------	----------	-------------	-----

8. OIL PUMP

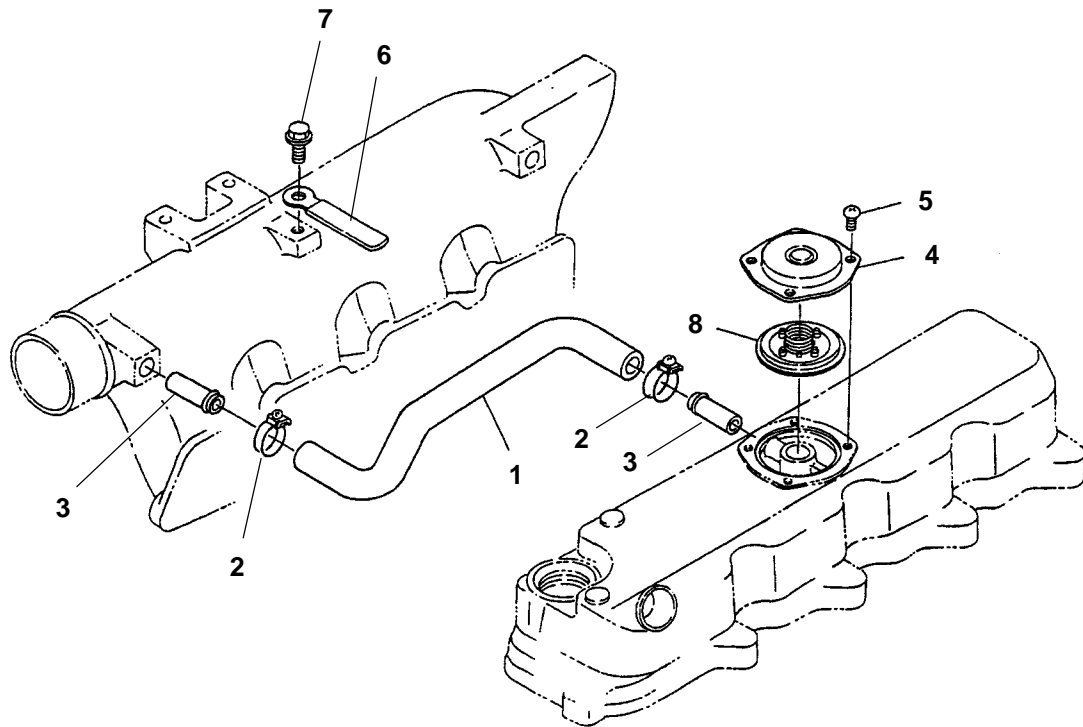


1	25-37040-00	PUMP, OIL	1
2	25-37041-00	GASKET, OIL PUMP	1
3	25-37042-00	BOLT	4
4	25-35692-00	WASHER, SPRING, M6	4
5	25-37043-00	GEAR, OIL PUMP DRIVE	1
6	25-37044-00	KEY, FEATHER	1
7	25-38716-00	NUT, FLANGE	1

CT4-134-DI

ITEM	PART NO.	DESCRIPTION	QTY
------	----------	-------------	-----

9. BREATHER

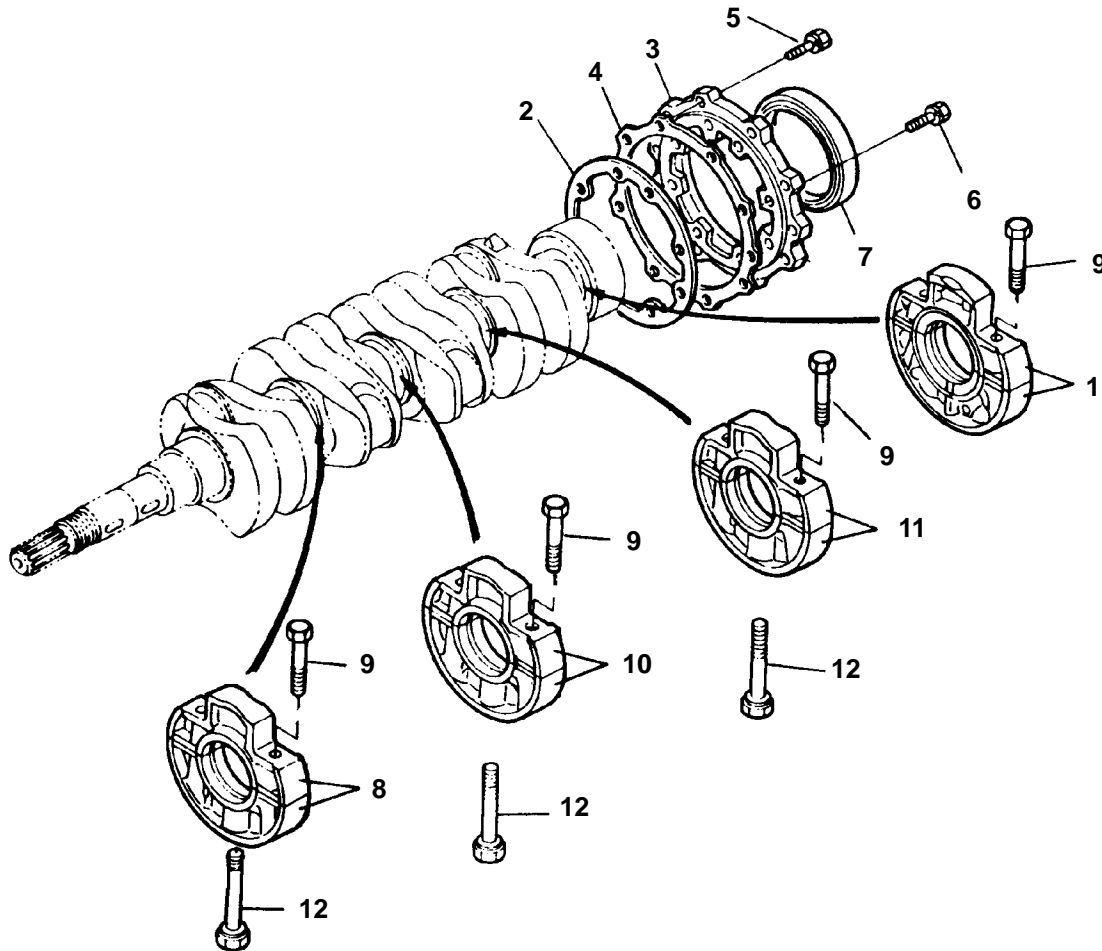


1	25-38725-00	TUBE, BREATHER	1
2	44-00045-01	CLAMP, HOSE	2
3	25-38727-00	NIPPLE	2
4	25-38719-00	COVER, BREATHER	1
5	25-36197-00	SCREW	4
6	25-38730-00	CLAMP, CORD	1
7	25-39024-00	BOLT	1
8	25-38720-00	VALVE, BREATHER	1

CT4-134-DI

ITEM	PART NO.	DESCRIPTION	QTY
------	----------	-------------	-----

10. MAIN BEARING CASE

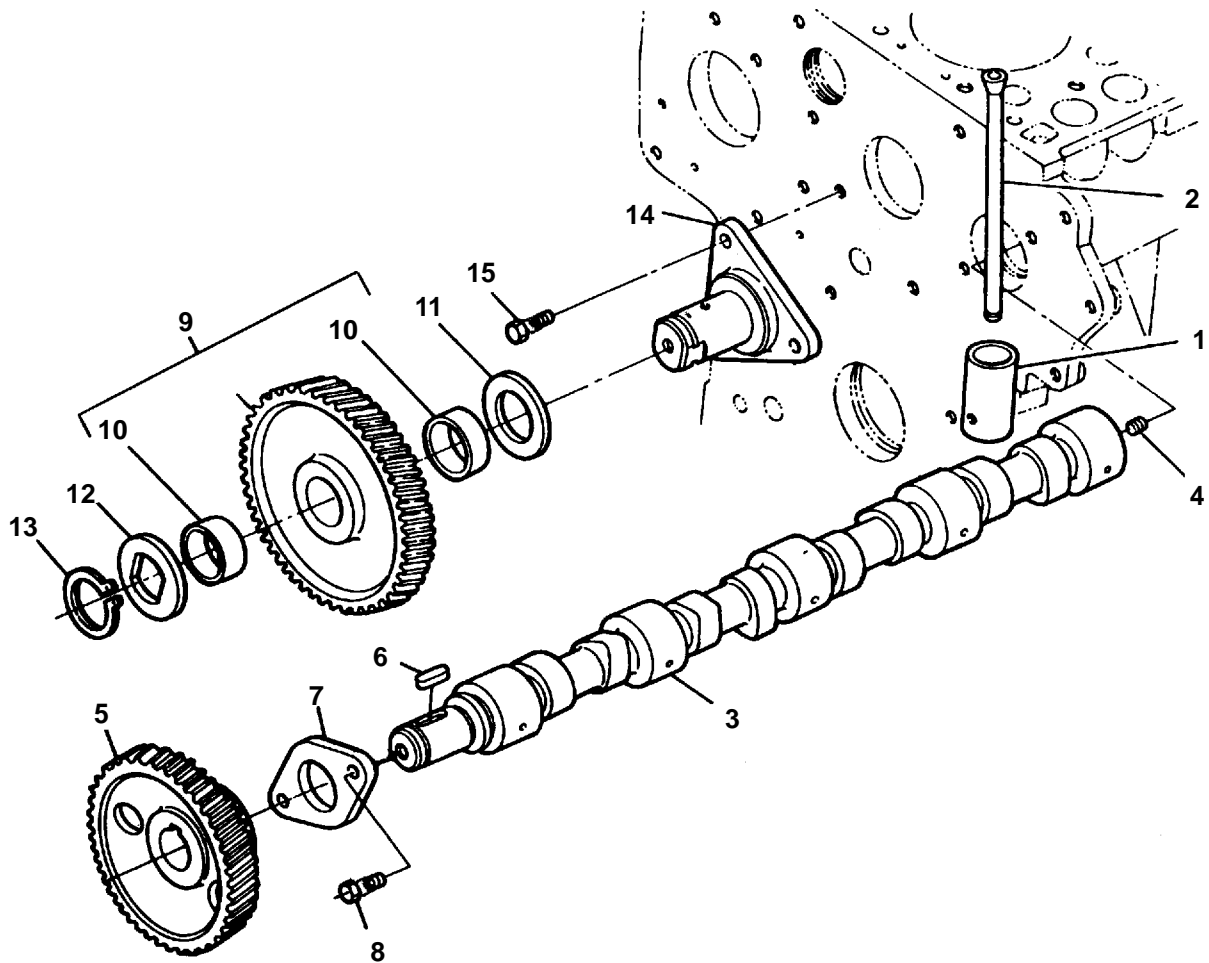


1	25-39297-00	CASE, MAIN BEARING, #4 - Prior to S/N 3S0001	1
	25-39371-00	CASE, MAIN BEARING, #4 - Starting with S/N 3S0001	1
2	25-38557-00	GASKET, MAIN BEARING CASE	1
3	25-38558-00	COVER, MAIN BEARING CASE - Prior to S/N 3S0001	1
	25-39377-00	COVER, MAIN BEARING CASE - Starting with S/N 3S0001	1
4	25-38717-00	GASKET, MAIN BEARING CASE COVER	1
5	25-37660-00	BOLT	8
6	25-38718-00	BOLT	8
7	25-37197-00	SEAL, REAR OIL	1
8	25-39294-00	CASE, MAIN BEARING, #1 - Prior to S/N 3S0001	1
	25-39373-00	CASE, MAIN BEARING, #1 - Starting with S/N 3S0001	1
9	25-38554-00	BOLT, MAIN BEARING CASE (SPEC) - Prior to S/N 3S0001	8
	25-39372-00	BOLT, MAIN BEARING CASE (SPEC) - Starting with S/N 3S0001	8
10	25-39295-00	CASE, MAIN BEARING, #2 - Prior to S/N 3S0001	1
	25-39374-00	CASE, MAIN BEARING, #2 - Starting with S/N 3S0001	1
11	25-39296-00	CASE, MAIN BEARING, #3 - Prior to S/N 3S0001	1
	25-39375-00	CASE, MAIN BEARING, #3 - Starting with S/N 3S0001	1
12	25-37191-01	BOLT, BEARING CASE - Prior to S/N 3S0001	3
	25-37191-00	BOLT, BEARING CASE - Starting with S/N 3S0001	3

CT4-134-DI

ITEM	PART NO.	DESCRIPTION	QTY
------	----------	-------------	-----

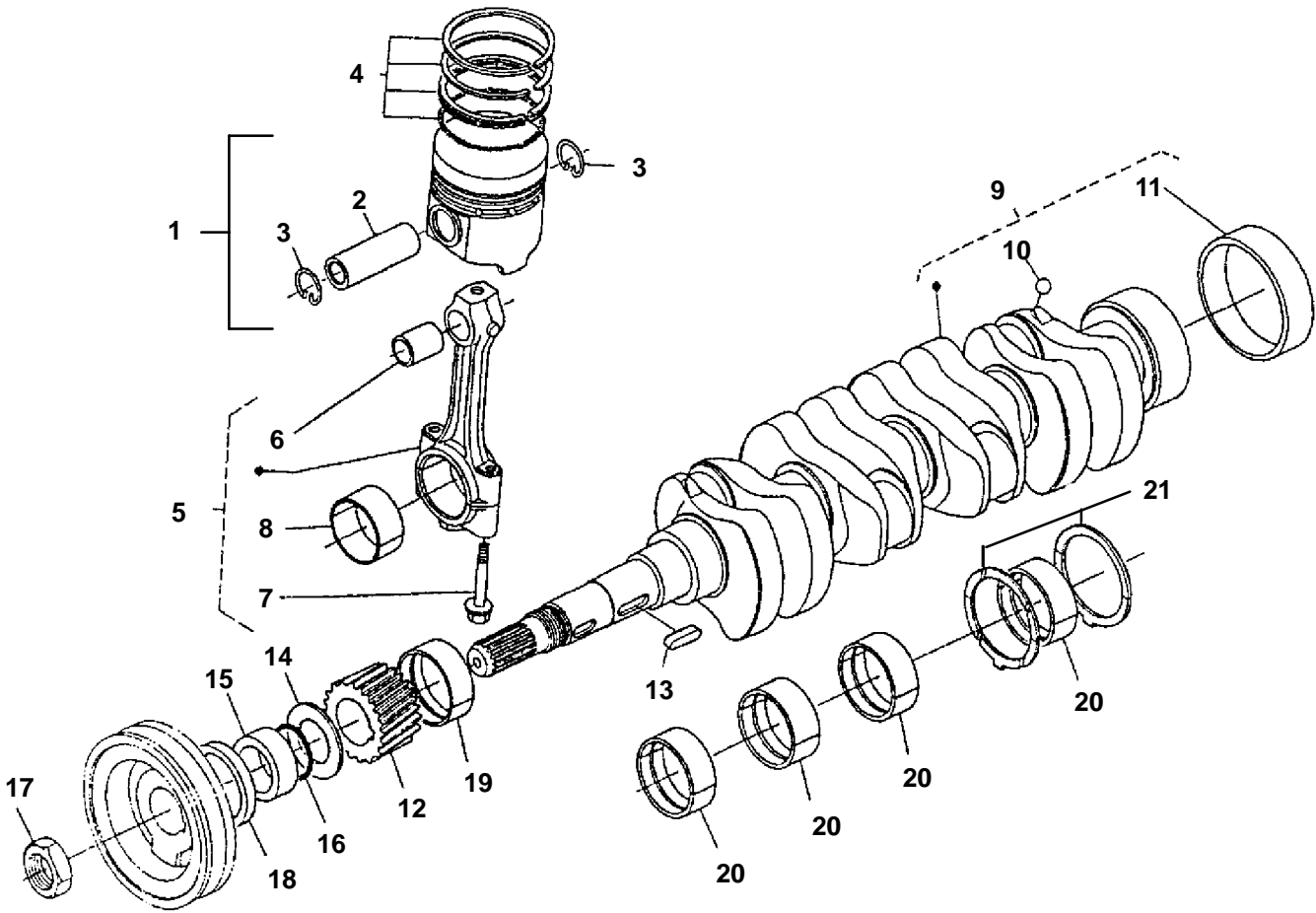
11. CAMSHAFT AND IDLER GEAR SHAFT



1	25-39100-00	TAPPET	8
2	25-38600-00	PUSH ROD	8
3	25-38761-00	CAMSHAFT ASSEMBLY - Includes:	1
4	25-37351-00	PLUG	1
5	25-37352-00	GEAR, CAM	1
6	25-37700-00	KEY FEATHER	1
7	25-37353-00	THRUST PLATE, CAMSHAFT	1
8	25-37658-00	BOLT (M8-1.25 x 18mm)	2
9	25-37354-00	GEAR, IDLER - Includes:	1
10	25-37354-02	BUSHING, IDLER GEAR	2
11	25-37355-00	COLLAR	1
12	25-37356-00	COLLAR	1
13	25-37357-00	CIR CLIP, IDLER GEAR	1
14	25-37358-00	SHAFT, IDLER GEAR	3
15	25-37658-00	BOLT	

CT4-134-DI

12. PISTON AND CRANKSHAFT



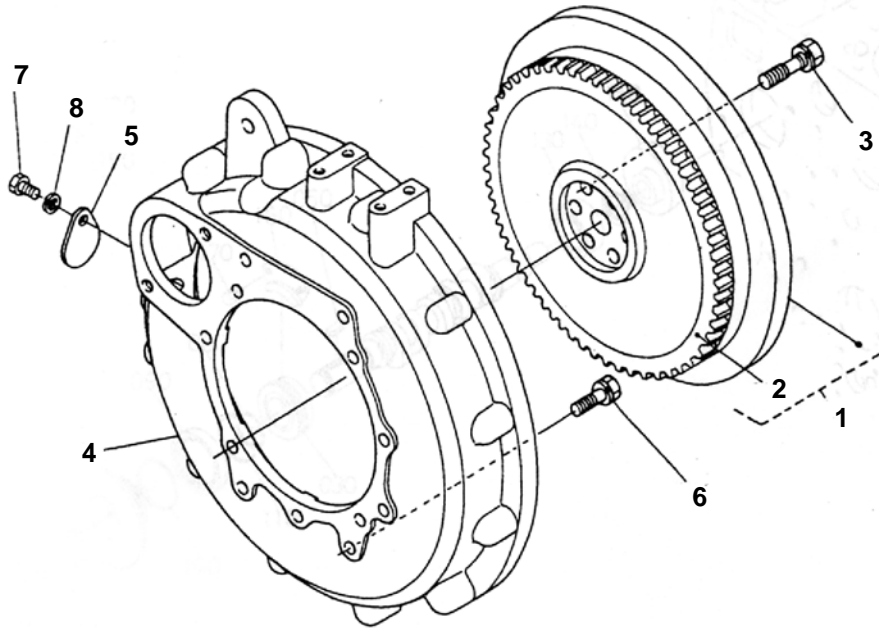
CT4-134-DI

ITEM	PART NO.	DESCRIPTION	QTY
12. PISTON AND CRANKSHAFT			
1	25-38737-00	PISTON, STD - Includes:	4
2	25-38118-00	PIN, PISTON	4
3	25-38612-00	CIR-CLIP, PISTON PIN	8
4	25-38089-00	RING SET, STD	4
5	25-38120-00	CONNECTING ROD, ASSY - Includes:	4
6	25-38121-01	BUSHING, PISTON PIN	4
7	25-37384-13	BOLT, CON ROD	8
8	25-39122-00	BEARING, ROD STD	4
	25-38122-01	BEARING, ROD (+0.2MM)	4
	25-38122-02	BEARING, ROD (+0.4MM)	4
9	25-39116-01	CRANKSHAFT - Prior to S/N 3S0001 - Includes:	1
	25-39341-00	CRANKSHAFT - Starting with S/N 3S0001 - Includes:	1
10	25-34169-00	BALL	4
11	25-37385-02	WEAR SLEEVE, CRANKSHAFT - REAR	1
12	25-37386-00	GEAR, CRANKSHAFT	1
13	25-37700-00	KEY, FEATHER	1
14	25-37387-00	SLINGER, OIL	1
15	25-37388-00	WEAR SLEEVE, CRANKSHAFT - FRONT	1
16	25-37389-00	O-RING	1
17	25-37390-00	NUT, CRANK SHAFT	1
18	25-37396-01	SEAL, FRONT	1
Prior To Serial Number 3S0001			
KIT	25-38126-00	BEARING SET, MAIN STD - Includes:	1
19	25-39120-00	BEARING #1 FRONT MAIN STD	1
20	25-39121-00	BEARING, MAIN STD	4
KIT	25-38126-01	BEARING SET, MAIN (+0.2MM) - Includes:	1
19	NSS	BEARING #1 FRONT MAIN (+0.2MM)	1
20	NSS	BEARING, MAIN (+0.2MM)	4
KIT	25-38126-02	BEARING SET, MAIN (+0.4MM) - Includes:	1
19	NSS	BEARING #1FRONT MAIN (+0.4MM)	1
20	NSS	BEARING, MAIN (+0.4MM)	4
21	25-37399-00	THRUSTWASHER, KIT STD	1
	25-37409-00	THRUSTWASHER, KIT (+0.2MM)	1
	25-37410-00	THRUSTWASHER, KIT (+0.4MM)	1
Beginning with Serial Number 3S0001			
19	25-39400-00	BEARING #1 FRONT MAIN STD	
	25-39401-00	BEARING #1 FRONT MAIN (+0.2MM)	1
	25-39402-00	BEARING #1FRONT MAIN (+0.4MM)	1
20	25-39378-00	BEARING, MAIN STD	4
	25-39379-00	BEARING, MAIN (+0.2MM)	4
	25-39380-00	BEARING, MAIN (+0.4MM)	4
21	25-39403-00	THRUSTWASHER, KIT STD	1
	25-39404-00	THRUSTWASHER, KIT (+0.2MM)	1
	25-39405-00	THRUSTWASHER, KIT (+0.4MM)	1

CT4-134-DI

ITEM	PART NO.	DESCRIPTION	QTY
------	----------	-------------	-----

13. FLYWHEEL

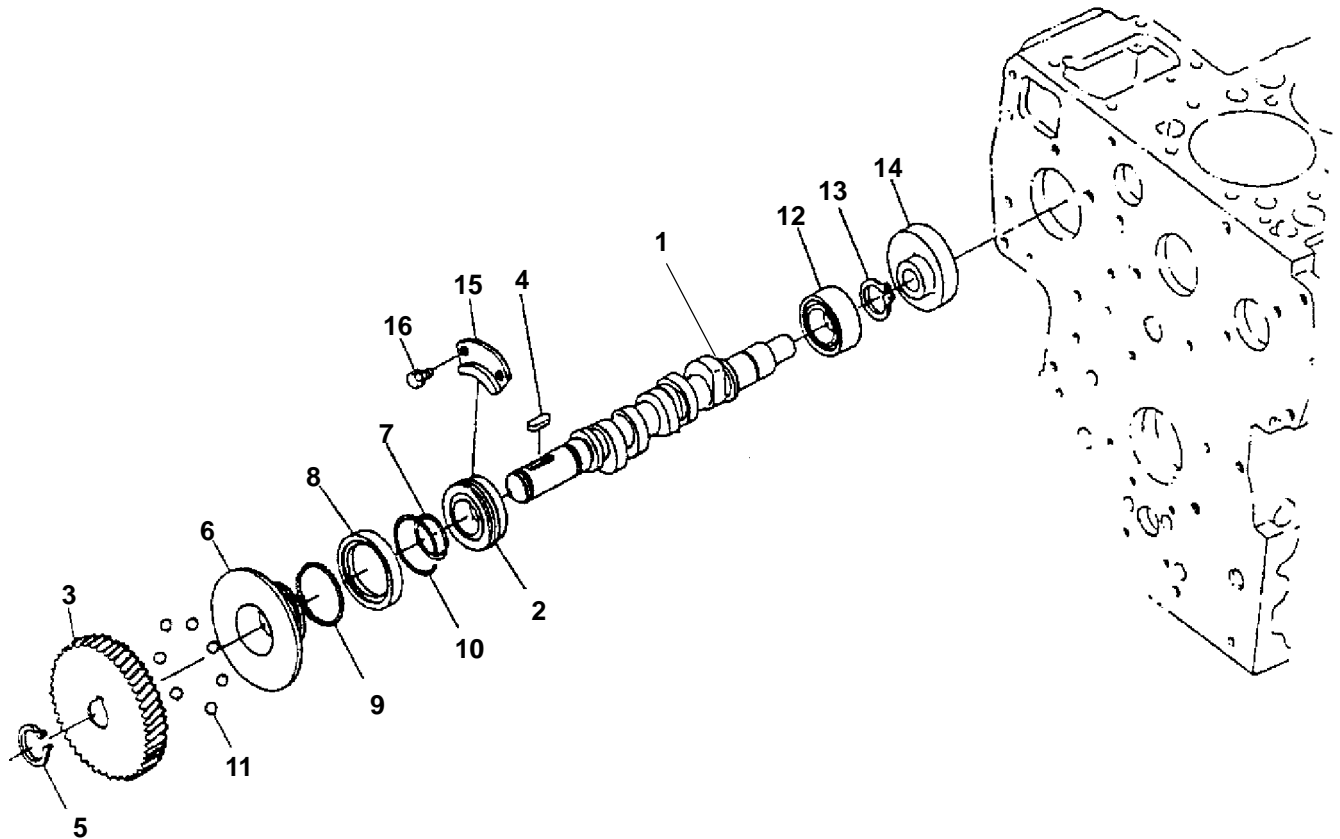


1	25-39126-00	FLYWHEEL ASSY - Includes:	1
2	25-39125-01	GEAR,RING (FLYWHEEL)	1
3	25-37421-01	BOLT, FLYWHEEL	6
4	25-39293-00	HOUSING, FLYWHEEL	1
5	25-39000-00	COVER	1
6	25-39001-00	BOLT	11
7	25-37425-00	BOLT PACKAGE	1
8	25-35687-00	WASHER, SPRING	1

CT4-134-DI

ITEM	PART NO.	DESCRIPTION	QTY
------	----------	-------------	-----

14. FUEL CAMSHAFT

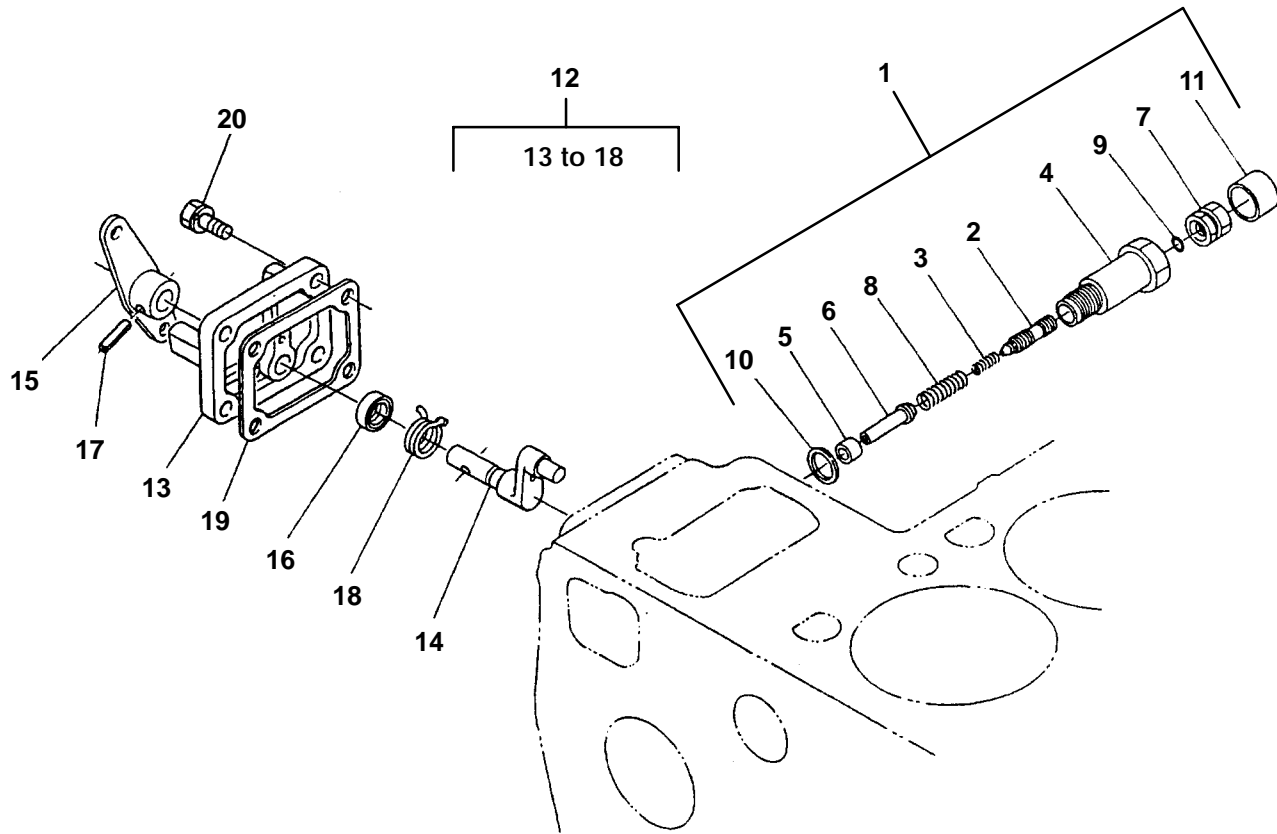


1	25-39002-00	CAMSHAFT, FUEL INJECTION PUMP - Prior to S/N YG0159	1
1	25-39181-00	CAMSHAFT, FUEL INJECTION PUMP - Starting with S/N YG0159	1
2	25-37431-00	BEARING, BALL	1
3	25-39004-00	GEAR, INJECTION PUMP	1
4	25-37433-00	KEY, FEATHER	1
5	25-37434-00	CIRCLIP	1
6	25-38165-00	SLEEVE, GOVERNOR	1
7	25-37436-00	CIRCLIP, SLEEVE	1
8	25-38167-00	CASE, GOVERNOR BALL	1
9	25-35389-00	BALL, 5/32	39
10	25-37438-00	CIRCLIP, BALL CASE	7
11	25-38169-00	BALL	1
12	25-38660-00	BEARING, BALL	1
13	25-37447-00	CIR CLIP, EXTERNAL	1
14	25-38661-00	CAM, LIFT PUMP	1
15	25-39183-00	STOPPER	1
16	944030	BOLT	2

CT4-134-DI

ITEM	PART NO.	DESCRIPTION	QTY
------	----------	-------------	-----

15. ENGINE STOP LEVER

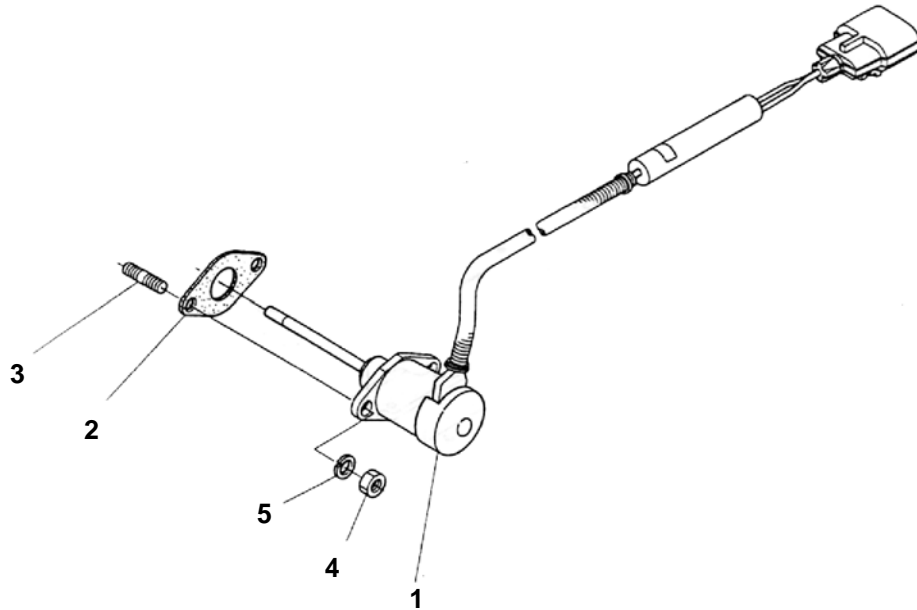


1	25-39301-00	IDLE , ADJUSTER ASSEMBLY - Includes:	1
2	25-39258-00	BOLT, ADJUSTING	1
3	25-39265-00	SPRING	1
4	25-39259-00	BODY	1
5	25-39260-00	SLEEVE	1
6	25-39261-00	GUIDE, SPRING	1
7	25-39262-00	NUT, SPRING	1
8	25-39263-00	SPRING, START	1
9	25-39266-00	O-RING	1
10	25-39267-00	O-RING	1
11	25-39264-00	CAP, IDLE ASSY	1
12	25-39082-00	LEVER, ENG. STOP ASSY - Includes:	1
13	NSS	COVER, ENG. STOP	1
14	NSS	SHAFT, ENG. STOP	1
15	NSS	LEVER, ENG. STOP	1
16	25-36830-00	SEAL, OIL	1
17	25-37536-00	ROLL PIN	1
18	25-39218-00	SPRING, RETURN	1
19	25-37537-00	GASKET, STOP LEVER COVER	1
20	25-39084-00	BOLT	4

CT4-134-DI

ITEM	PART NO.	DESCRIPTION	QTY
------	----------	-------------	-----

16. STOP SOLENOID

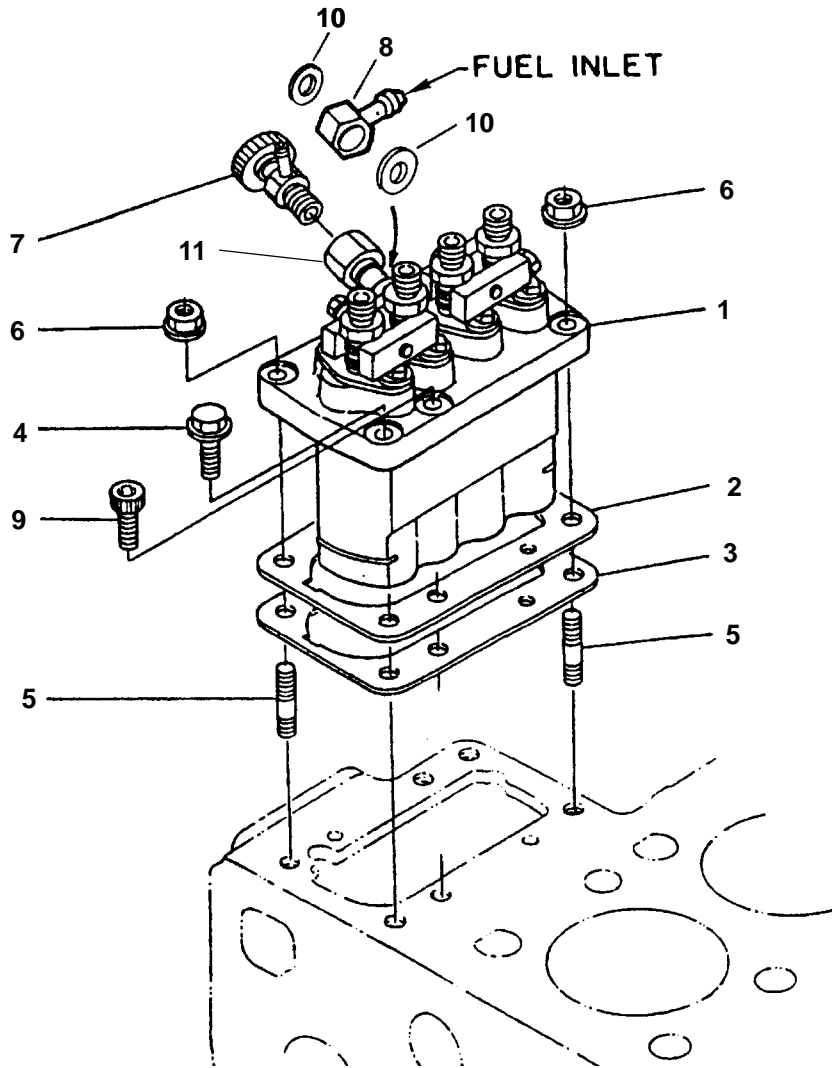


1	25-38109-05SV	SOLENOID, FUEL 12 VDC	1
2	25-39171-00	GASKET, FUEL SOLENOID	1
3	25-37672-00	STUD, M6	2
4	25-35684-00	NUT, M6	2
5	25-35692-00	WASHER, SPRING, M6	2

CT4-134-DI

ITEM	PART NO.	DESCRIPTION	QTY
------	----------	-------------	-----

17. INJECTION PUMP

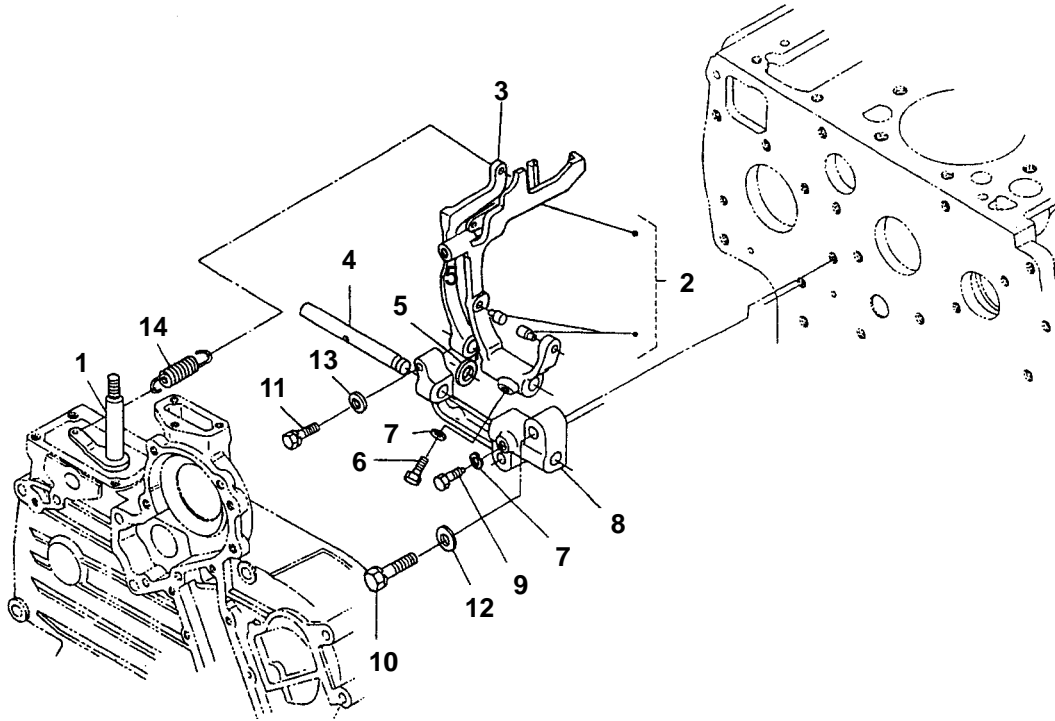


1	25-39091-00	INJECTION PUMP, ASSY - Prior to S/N YG0159	1
1	25-39304-00	INJECTION PUMP, ASSY - Starting with S/N YG0159	1
2	25-37591-00	SHIM (0.20MM)	A/R
2	25-39174-00	SHIM (0.25MM)	A/R
3	25-39172-00	SHIM (0.30 MM)	A/R
4	25-39093-00	BOLT	3
5	25-37237-00	STUD	2
6	25-39095-00	NUT	2
7	25-37593-00	VALVE, FUEL BLEEDER	1
8	25-35485-00	FITTING, BANJO	1
9	25-39097-00	BOLT, HEX-SOC-HD	1
10	25-36641-00	GASKET, COPPER O-RING	2
11	25-36618-00	BOLT, BANJO	1

CT4-134-DI

ITEM	PART NO.	DESCRIPTION	QTY
------	----------	-------------	-----

18. GOVERNOR

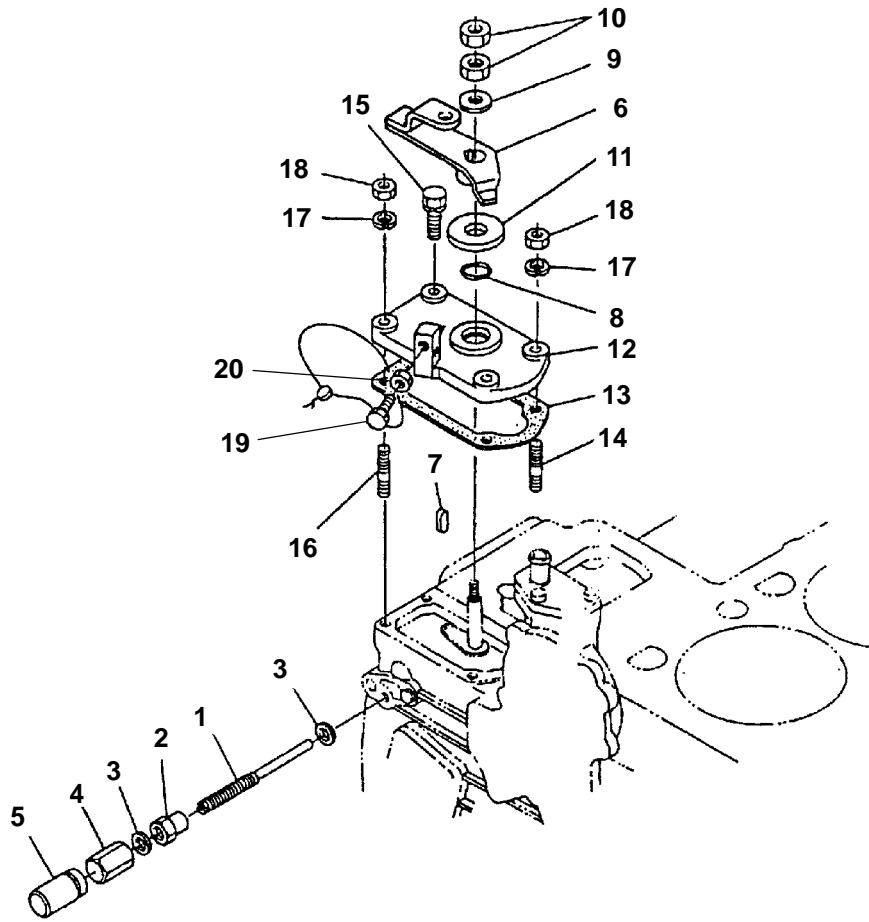


1	25-39269-00	LEVER ASSY, GOVERNOR	1
2	25-39271-00	FORK LEVER	1
3	25-39103-00	FORK LEVER	1
4	25-39272-00	SHAFT, FORK LEVER	1
5	25-39213-00	WASHER, PLAIN	1
6	25-39273-00	BOLT	1
7	25-35692-00	WASHER, SPRING, M6	2
8	25-39274-00	HOLDER, FORK LEVER	1
9	25-35354-00	BOLT, SPECIAL	1
10	25-37471-00	BOLT, M8 X 32 mm LONG - GRADE 7	2
11	25-37472-00	BOLT, M6 X 28 mm LONG - GRADE 7	1
12	25-35531-00	WASHER, PLAIN	2
13	25-37685-00	WASHER, PLAIN (M6)	1
14	25-39275-00	SPRING, GOVERNOR (TRAILER)	1
	25-39219-00	SPRING, GOVERNOR (GENSET)	1

CT4-134-DI

ITEM	PART NO.	DESCRIPTION	QTY
------	----------	-------------	-----

19. SPEED CONTROL PLATE

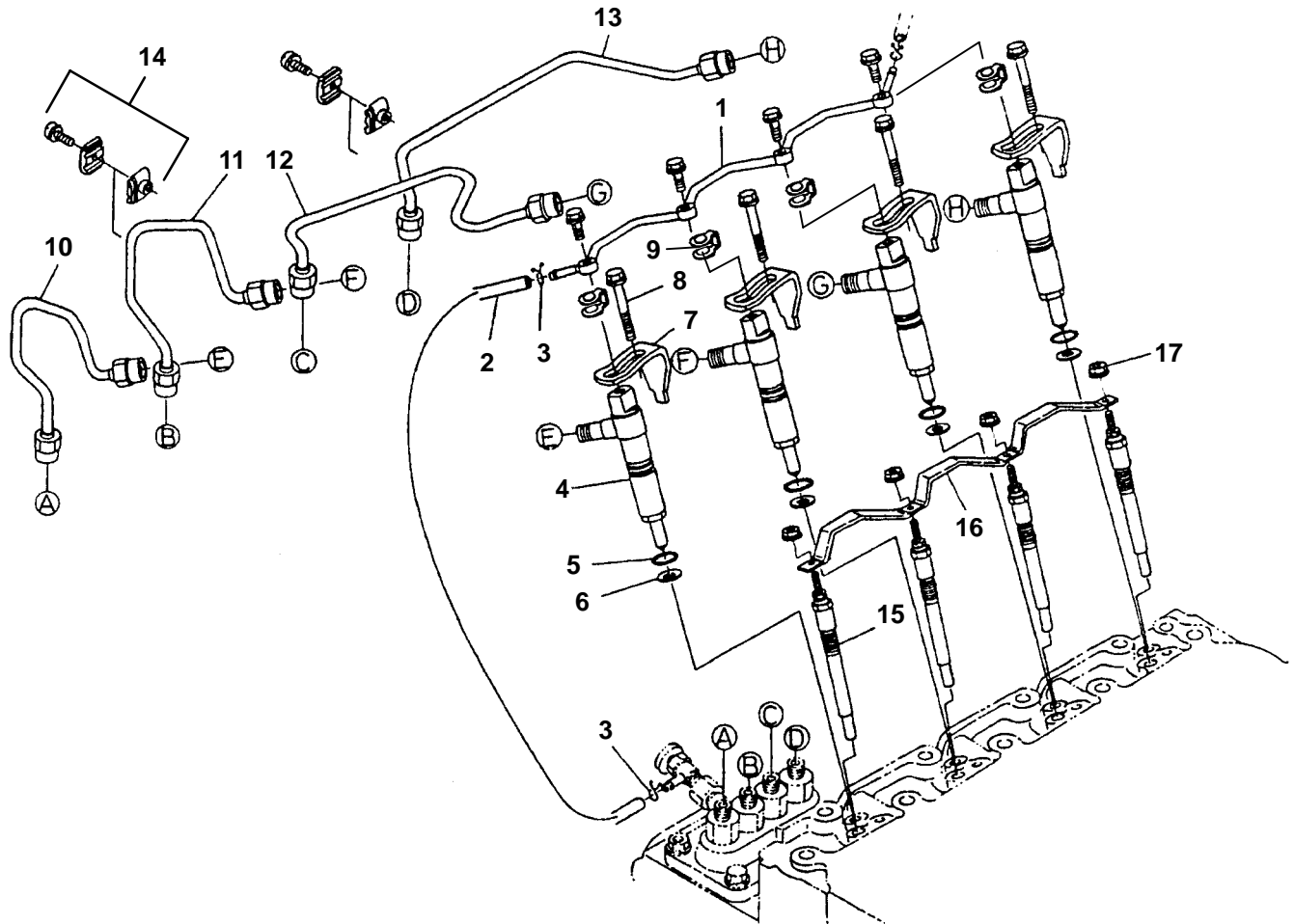


1	25-37490-00	BOLT, ADJUSTING	1
2	25-37491-00	NUT, SPECIAL	1
3	25-37492-00	GASKET, COPPER O-RING	2
4	25-39191-00	NUT, LOCK	1
5	25-15301-00	CAP, FUEL ADJUSTMENT	1
6	25-37503-00SV	LEVER, SPEED CONTROL PLATE	1
7	25-37496-00	KEY, FEATHER	1
8	25-39200-00	SEAL, O-RING	1
9	25-37686-00	WASHER, PLAIN (8M)	1
10	25-35524-00	NUT	2
11	25-39193-00	PLATE, FRICTION	1
12	25-39194-01	PLATE, SPEED CONTROL - INCLUDES:	1
13	25-37500-01	GASKET, SPEED CONTROL PLATE	1
14	25-39195-00	STUD	1
15	25-37656-00	BOLT	2
16	25-37672-00	STUD	1
17	25-35692-00	WASHER, SPRING, M6	2
18	25-35684-00	NUT	4
19	25-37502-00	BOLT, M6 X 40 mm LONG	1
20	25-35684-00	NUT, M6	1

CT4-134-DI

ITEM	PART NO.	DESCRIPTION	QTY.
------	----------	-------------	------

20. INJECTORS AND GLOW PLUGS

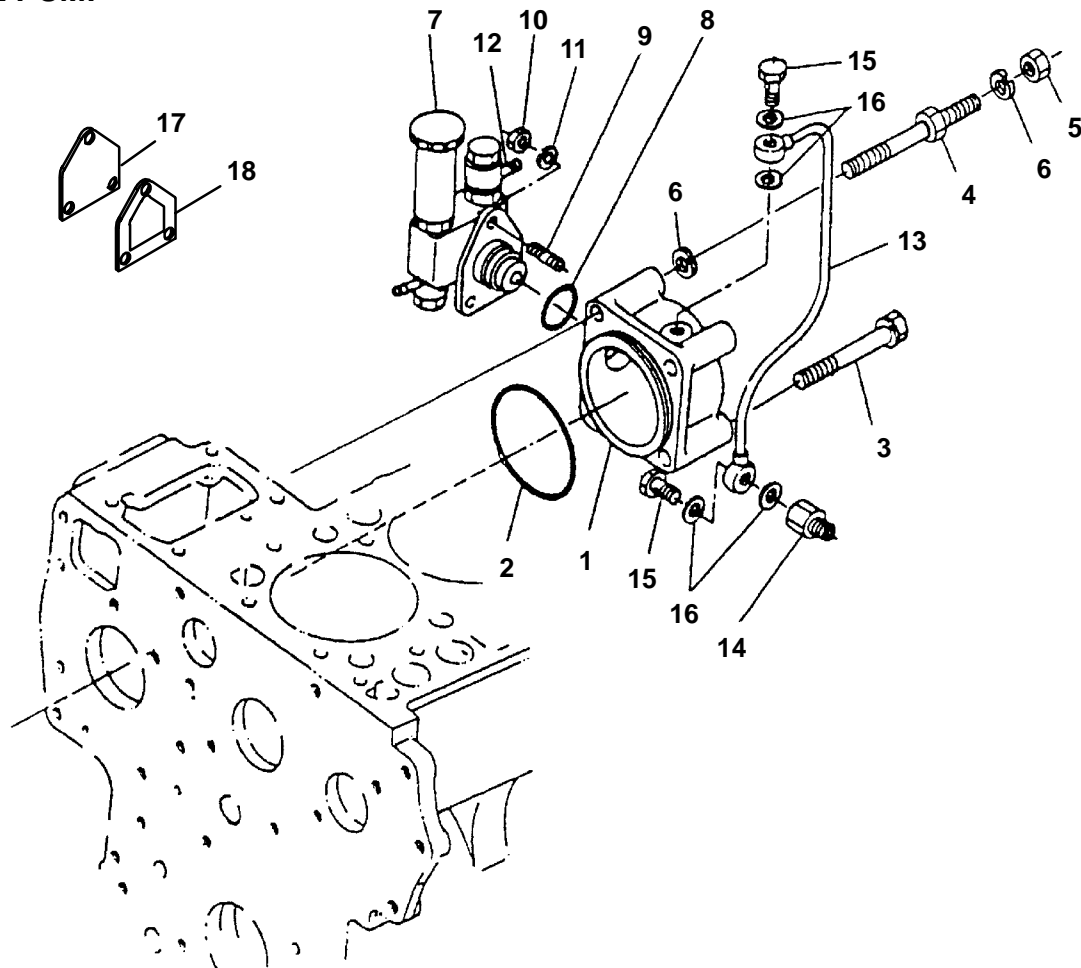


1	25-39222-00	PIPE ASSEMBLY, OVER FLOW	1
2	58-00659-00	PIPE, FUEL OVER FLOW	A/R
3	44-00045-25	CLAMP, HOSE	3
4	25-39223-00	INJECTOR ASSY - Prior to S/N YG0159	4
4	25-39303-00	INJECTOR ASSY - Starting with S/N YG0159	4
5	25-37142-00	O-RING	4
6	25-39228-00	GASKET	4
7	25-39229-00	CLAMP, NOZZLE	4
8	25-39230-00	BOLT, FLANGE	4
9	25-39298-00	GASKET, LEAK OFF LINE	4
10	25-39232-00	PIPE, INJECTION CYLINDER #1	1
11	25-39233-00	PIPE, INJECTION CYLINDER #2	1
12	25-39234-00	PIPE, INJECTION CYLINDER #3	1
13	25-39237-00	PIPE, INJECTION CYLINDER #4	1
14	25-38140-00	CLAMP, KIT INJECTOR LINE	A/R
15	25-39238-00	GLOW PLUG	4
16	25-39239-00	CORD, GLOW PLUG	1
17	25-34222-00	NUT, FLANGE (M4)	4

CT4-134-DI

ITEM	PART NO.	DESCRIPTION	QTY
------	----------	-------------	-----

21. FUEL PUMP

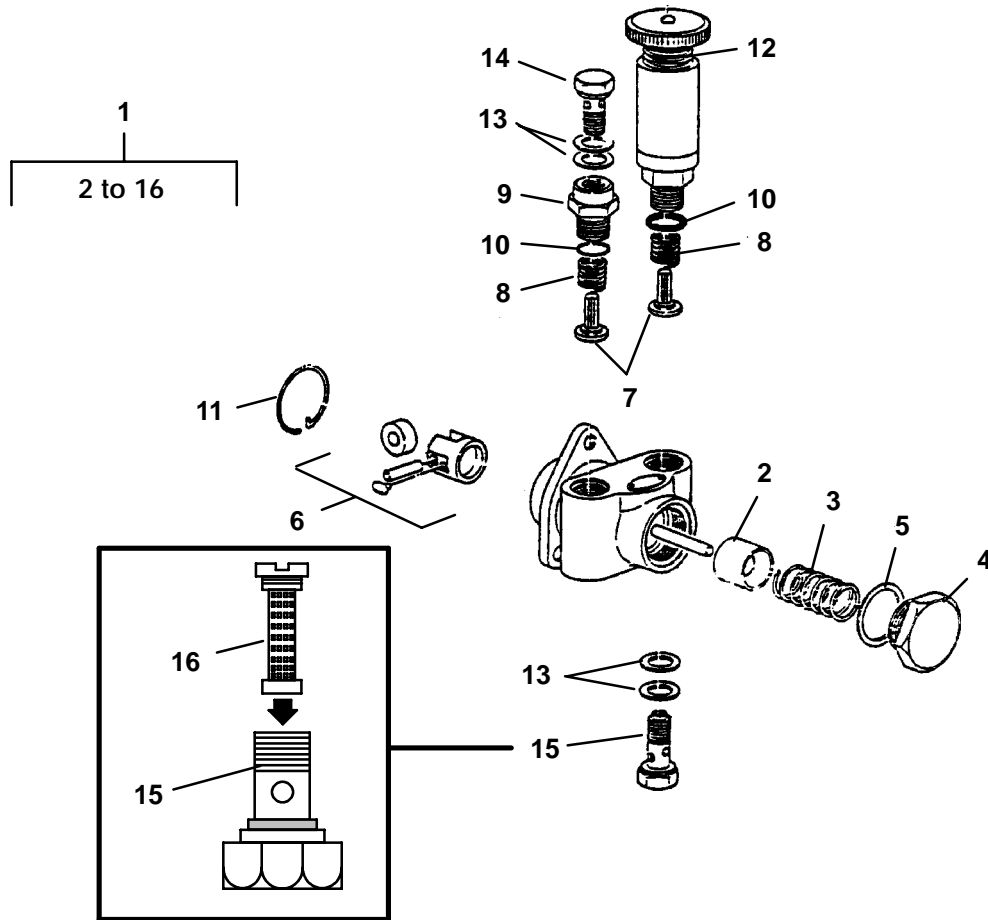


1	25-38663-00	HOLDER, FUEL LIFT PUMP	1
2	25-38664-00	O-RING	1
3	25-38665-00	BOLT	2
4	25-38662-00	STUD	2
5	25-37681-00	NUT, M10	2
6	25-37690-00	WASHER, M10	4
7	25-38666-00	PUMP ASSY, FUEL LIFT	1
8	25-38667-00	O-RING	1
9	25-36715-00	STUD	3
10	25-35684-00	NUT	3
11	25-35692-00	WASHER, SPRING, M6	3
12	25-37594-00	BANJO, FITTING	2
13	25-38668-00	PIPE, OIL FEED LIFT PUMP	1
14	25-38669-00	FITTING	1
15	25-38670-00	BOLT, BANJO	2
16	25-35136-05	GASKET, COPPER O-RING	4
17	25-38673-00	COVER, FUEL PUMP (Used when item 7 is not used)	1
18	25-38674-00	GASKET, FUEL PUMP (Used when item 7 is not used)	1

CT4-134-DI

ITEM	PART NO.	DESCRIPTION	QTY
------	----------	-------------	-----

22. FUEL PUMP ASSEMBLY

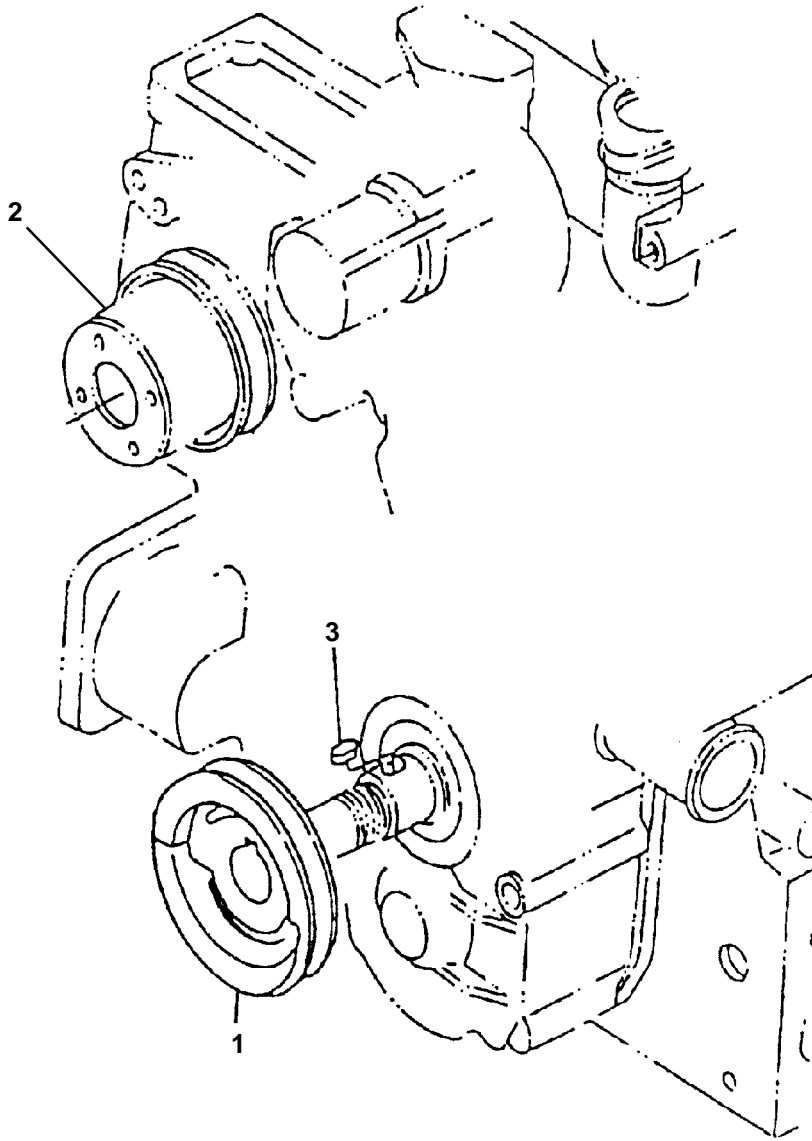


1	25-38666-00	PUMP ASSY, FUEL LIFT - Includes:	1
2	25-38666-01	PISTON, FUEL PUMP	1
3	25-38666-02	SPRING, FUEL PUMP	1
4	25-38666-03	PLUG, FUEL PUMP	1
5	25-38666-04	GASKET, COPPER O-RING	1
6	25-38666-05	TAPPET ASSEMBLY	1
7	25-38666-06	VALVE, FUEL PUMP	2
8	25-38666-07	SPRING, PUMP VALVE	2
9	25-38666-08	ADAPTER	1
10	25-38666-09	O-RING	2
11	25-38666-10	CIR-CLIP	1
12	25-38666-11	PUMP, HAND PRIMING	1
13	25-38666-13	GASKET, COPPER O-RING	4
14	25-38666-14	BOLT, BANJO	1
15	25-38666-12	BOLT, EYE JOINT - Includes:	1
16	25-38666-16	FILTER (BRASS)	1

CT4-134-DI

ITEM	PART NO.	DESCRIPTION	QTY
------	----------	-------------	-----

23. PULLEY



NOTE: Crankshaft and Water Pump Pulleys MUST be Matched (mm Dia.) as Shown below.

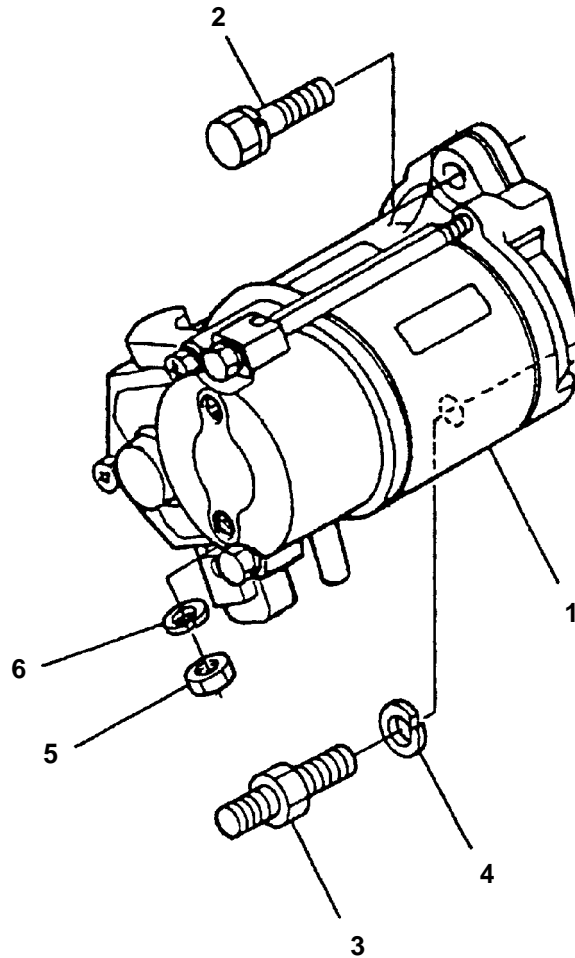
All Genset Engines and Trailer Engines Prior to S/N XA0001

1	25-37402-00	PULLEY, CRANKSHAFT - 154 mm Dia.	1
2	25-37580-07	PULLEY, WATER PUMP - 104 mm Dia.	1
Trailer Engines From S/N XA0001 to YZ9999			
1	25-39307-00	PULLEY, CRANKSHAFT - 104 mm Dia.	1
2	25-39306-00	PULLEY, WATER PUMP - 97 mm Dia.	1
Trailer Engines Starting With S/N 1L0001			
1	25-39312-00	PULLEY, CRANKSHAFT - 120 mm Dia.	1
2	25-37580-07	PULLEY, WATER PUMP - 104 mm Dia.	1
3	25-37700-00	KEY, FEATHER	1

CT4-134-DI

ITEM	PART NO.	DESCRIPTION	QTY
------	----------	-------------	-----

24. STARTER



1	25-39316-00	STARTER ASSY (2 KW)	1
2	25-37663-00	BOLT	1
3	25-38767-00	STUD (M10 X 1.25)	1
4	25-37690-00	WASHER, SPRING	1
5	25-37680-00	NUT, M8	1
6	25-35687-00	WASHER, SPRING	1

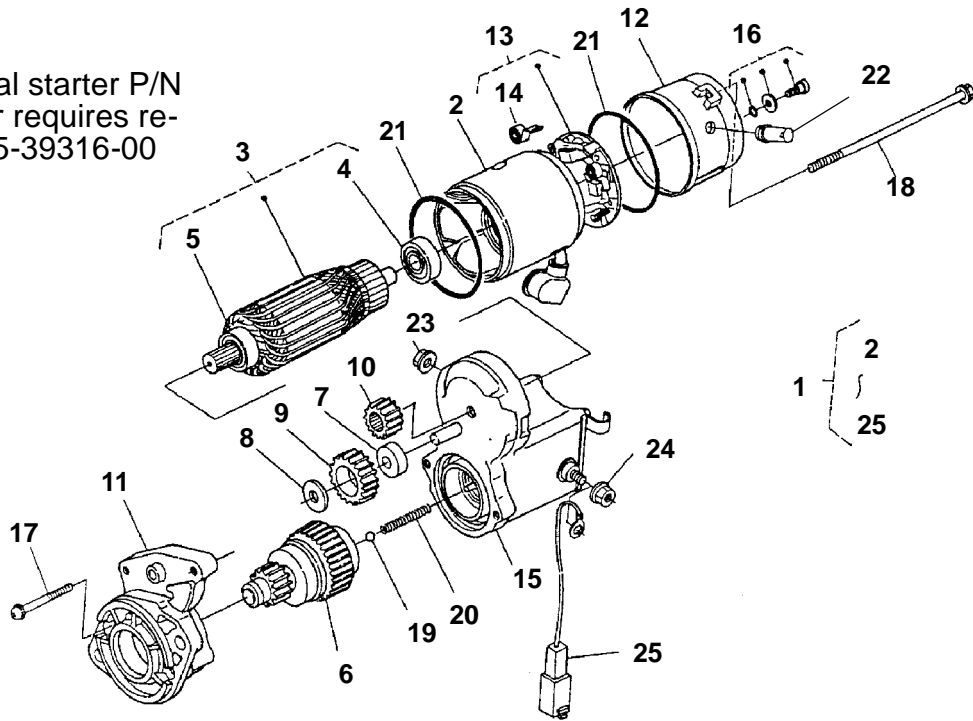
CT4-134-DI

ITEM	PART NO.	DESCRIPTION	QTY
------	----------	-------------	-----

25. STARTER ASSEMBLY

NOTE

Repair parts for original starter P/N 25-39291-00. If starter requires replacement, use P/N 25-39316-00

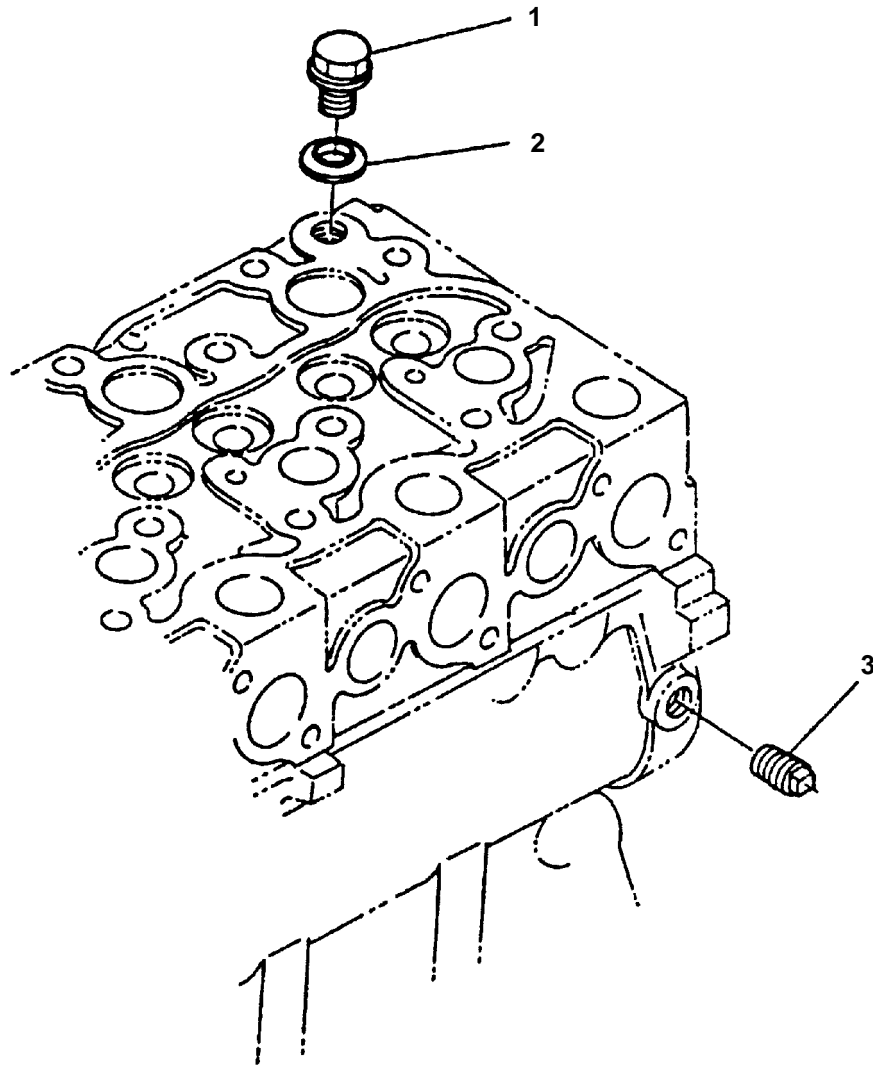


1	See Note	STARTER ASSY (2 KW, Original Part Number 25-39291-00) - Includes:	1
2	25-39240-00	FIELD COIL	1
3	25-39241-00	ARMATURE - Includes:	1
4	25-39242-00	BEARING	1
5	29-70123-00	BEARING	1
6	25-39137-00	CLUTCH ASSY, STARTER 9 TOOTH	1
7	25-35458-09	ROLLER	5
8	7103057	RETAINER	1
9	7103056	GEAR IDLER	1
10	25-39243-00	GEAR, ARMATURE	1
11	25-39244-00	FRAME, DRIVE END	1
12	25-39245-00	FRAME, BRUSH HOLDER END	1
13	25-39246-00	HOLDER, BRUSH - Includes:	1
14	25-39247-00	SPRING, BRUSH	4
15	25-39248-00	SOLENOID, ASSY	1
16	25-39249-00	SCREW	2
17	25-39185-00	SCREW	2
18	25-39186-00	BOLT, THROUGH	2
19	941598	BALL, STEEL	1
20	7103058	SPRING, CLUTCH ENGAGEMENT	1
21	25-37738-00	O-RING, STARTER	2
22	29-70227-00	PIPE, DRAIN	1
23	25-37742-00	NUT	1
24	29-70223-00	NUT	1
25	25-39135-03	WIRE ASSY, SOLENOID	1

CT4-134-DI

ITEM	PART NO.	DESCRIPTION	QTY
------	----------	-------------	-----

26. PLUG

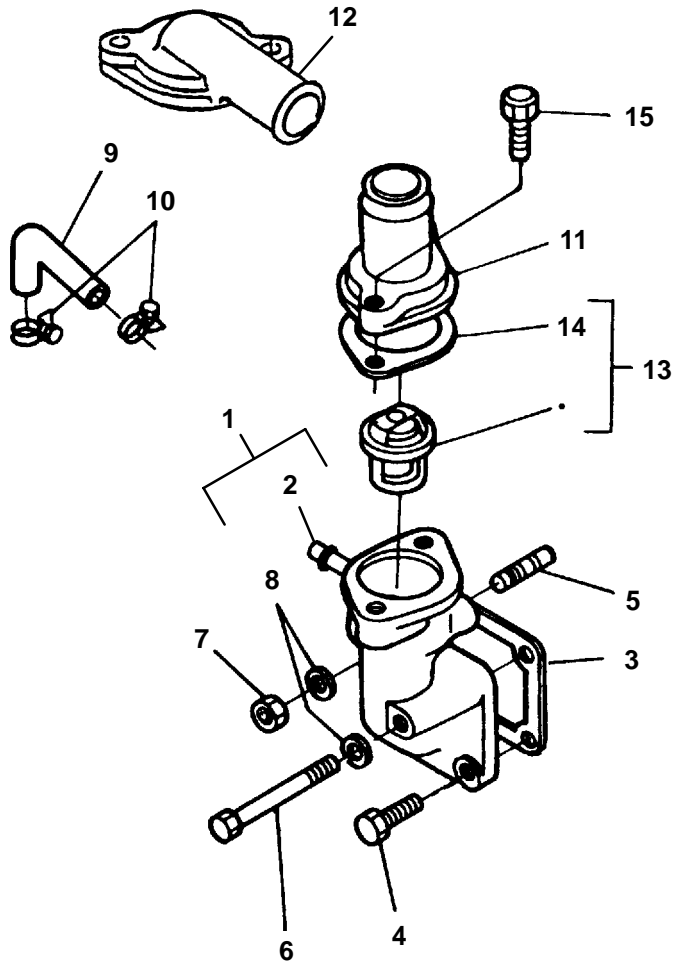


1	25-38052-00	PLUG	1
2	25-38053-00	WASHER, W RUBBER	1
3	25-37049-00	PLUG	1

CT4-134-DI

ITEM	PART NO.	DESCRIPTION	QTY
------	----------	-------------	-----

27. THERMOSTAT

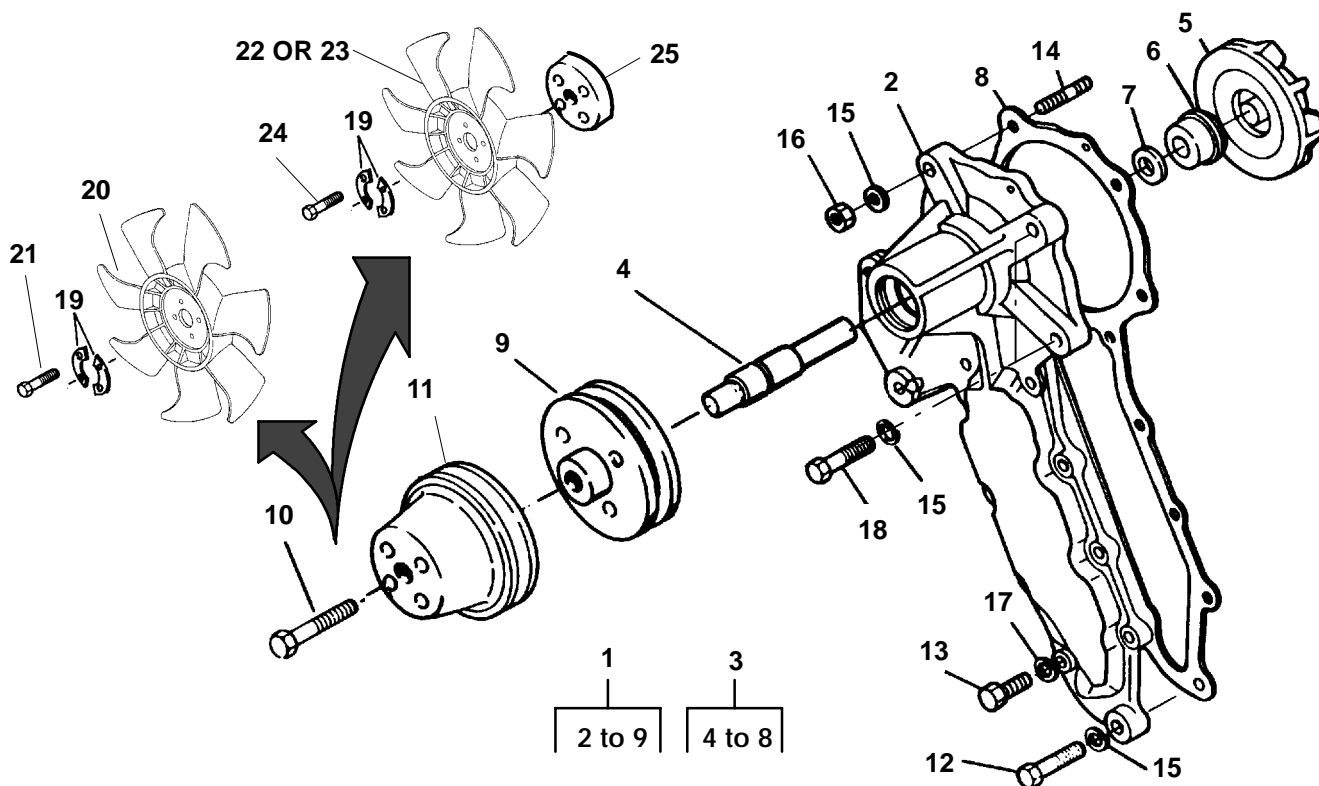


1	25-37560-01	FLANGE, THERMOSTAT - Includes:	1
2	25-38727-00	PIPE, WATER RETURN	1
3	25-37561-00	GASKET, THERMOSTAT FLANGE	1
4	25-38283-00	BOLT (M8 x 22mm LONG - GRADE 7)	2
5	25-37237-00	STUD	1
6	25-37664-00	BOLT (M8-1.25 x 65mm)	1
7	25-35685-00	NUT, HEX M8	1
8	25-35687-00	WASHER, SPRING	2
9	25-37556-00	HOSE, BY-PASS	1
10	44-00045-06	CLAMP	2
11	25-37557-00	HOUSING, THERMOSTAT	1
12	25-38735-00	HOUSING, THERMOSTAT (90_ used on Gen Set)	1
13	25-37559-01	THERMOSTAT, KIT - Includes:	1
14	25-37558-00	GASKET, THERMOSTAT HOUSING	1
15	25-37662-00	BOLT	2

CT4-134-DI

ITEM	PART NO.	DESCRIPTION	QTY
------	----------	-------------	-----

28. WATER PUMP

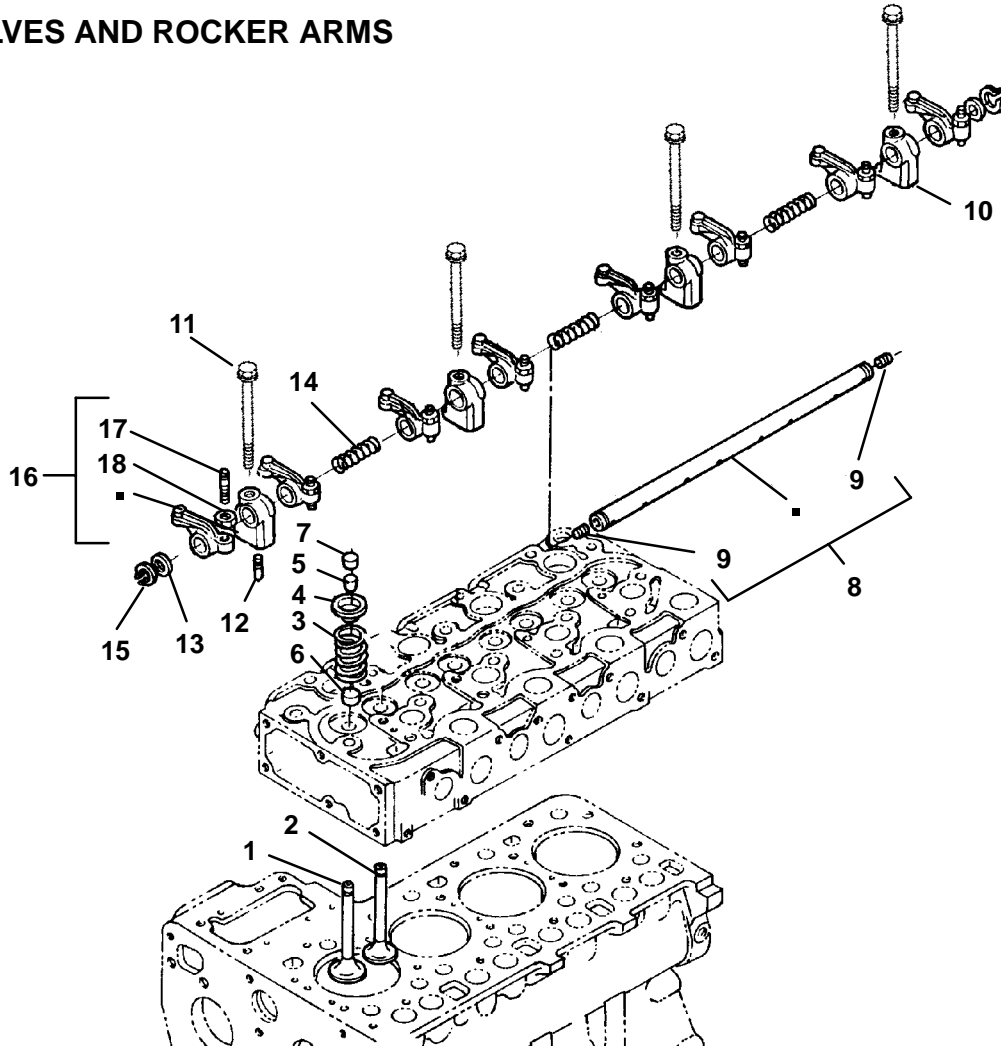


1	25-37581-10	PUMP ASSY, WATER - Includes:	1
2	NSS	BODY, WATER PUMP	1
3	25-37580-20	KIT, WATER PUMP - Includes:	1
4	NSS	SHAFT, WATER PUMP	1
5	NSS	IMPELLER, WATER PUMP	1
6	NSS	SEAL, WATER PUMP	1
7	NSS	SLINGER	1
8	25-37574-00	GASKET, WATER PUMP	1
9	25-37580-05	FLANGE, WATER PUMP	1
10	25-35675-00	BOLT	4
11	-	PULLEY, WATER PUMP - REFER TO SECTION 23.	1
12	25-37148-00	BOLT, M8 X 87 mm LONG - GRADE 7	3
13	25-39084-00	BOLT (M6-1.00 x 18mm)	8
14	25-37671-00	STUD	2
15	25-35687-00	WASHER, SPRING	7
16	25-35685-00	NUT, HEX M8	2
17	25-35692-00	WASHER, SPRING, M6	8
18	25-38718-00	BOLT (M8-1.25 x 28mm)	2
19	25-37580-08	RETAINER FAN	2
20	25-39320-00	FAN (Installed without spacer - used with Item 21)	4
21	945721	BOLT, FAN -10mm (Used with Item 20)	1
22	38-00525-00	FAN (For 69UG Gen Sets Only - used with Items 24 & 25)	4
23	38-00152-00	FAN (For 69RG Gen Sets and Trailer Units - used with Items 24 & 25)	4
24	25-39277-00	BOLT, FAN SPACER - 30mm (Used with Items 22 or 23 & 25)	4
25	25-39226-00	SPACER, FAN (Used with Items 22 or 23 & 24)	4

CT4-134-DI

ITEM	PART NO.	DESCRIPTION	QTY
------	----------	-------------	-----

29. VALVES AND ROCKER ARMS

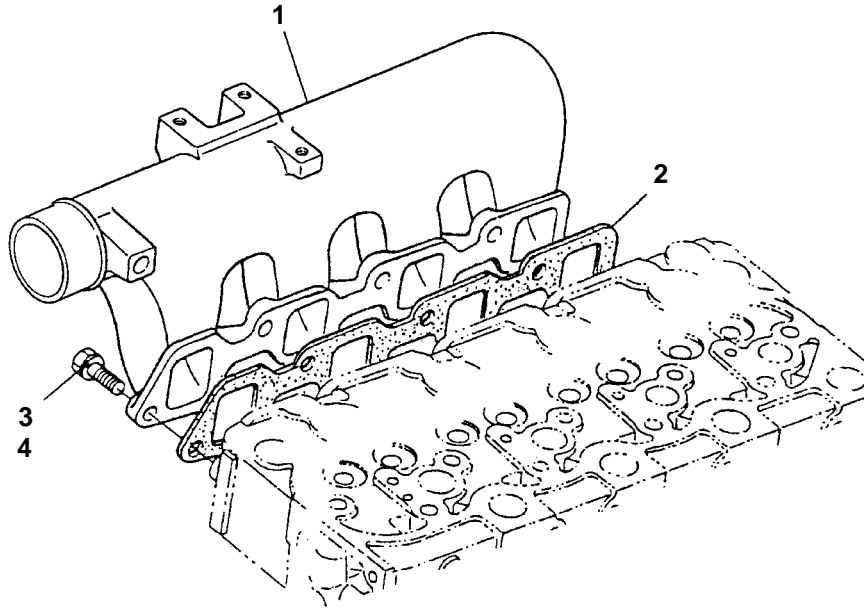


1	25-38087-00	VALVE, INLET	4
2	25-38088-00	VALVE, EXHAUST	4
3	25-37262-00	SPRING, VALVE	8
4	25-37263-00	RETAINER, SPRING	8
5	25-37264-00	KEEPER, VALVE	8
6	25-37265-00	SEAL, VALVE STEM	8
7	25-37266-00	CAP, VALVE	8
8	25-37267-00	SHAFT, ROCKER ARM - Includes:	1
9	25-37267-02	SCREW, SET	2
10	25-37268-00	BRACKET, ROCKER ARM	4
11	25-39189-00	BOLT	4
12	25-39023-00	PIN, SPRING	1
13	25-37271-00	WASHER, ROCKER ARM SHAFT	2
14	25-37272-00	SPRING, ROCKER ARM	3
15	25-37273-00	CIR CLIP EXT	2
16	25-39090-00	ROCKER ARM - Includes:	8
17	25-37276-00	SCREW, ROCKER ARM ADJUSTING	8
18	25-37277-00	NUT, ROCKER ARM ADJUSTING	8

CT4-134-DI

ITEM	PART NO.	DESCRIPTION	QTY
------	----------	-------------	-----

30. INLET MANIFOLD

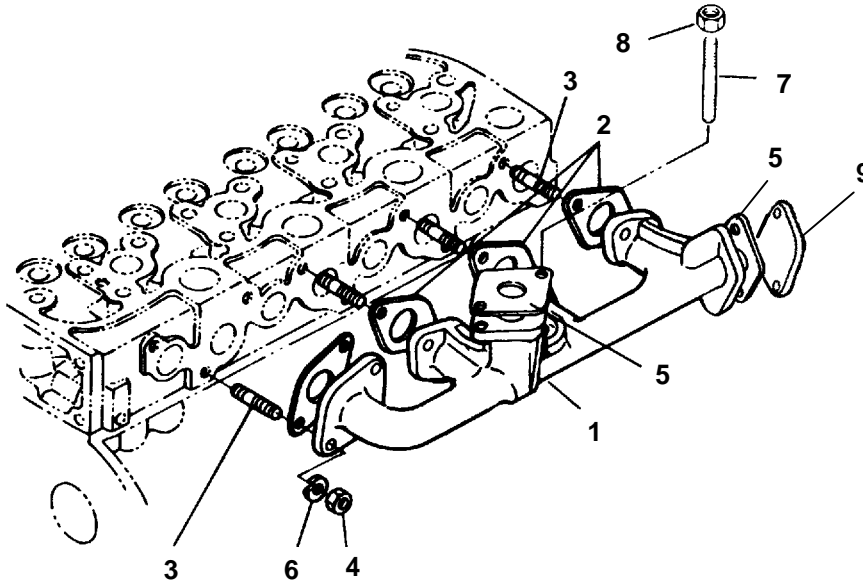


1	25-39187-00	MANIFOLD, INLET	1
2	25-39188-00	GASKET, INTAKE MANIFOLD	1
3	25-37659-00	BOLT	7
4	25-35687-00	WASHER, SPRING LOCK	7

CT4-134-DI

ITEM	PART NO.	DESCRIPTION	QTY
------	----------	-------------	-----

31. EXHAUST MANIFOLD



1	25-39077-00	MANIFOLD, EXHAUST	1
2	25-37236-01	GASKET, EXHAUST MANIFOLD	4
3	25-37237-00	STUD	8
4	25-35685-00	NUT, HEX M8	8
5	25-37238-00	GASKET, MUFFLER	1
6	25-35687-00	WASHER, SPRING LOCK	2
7	34-00964-00	STUD, EXHAUST SPECIAL	2
8	34-00932-13	NUT, HEX (BRASS 3/8-24)	2
9	25-37235-01	COVER, EXHAUST MANIFOLD	1

CT4-134-DI

32. GASKET SET

NOTE: REFER TO APPROPRIATE GROUP FOR ILLUSTRATION

GROUP	ITEM	PART NO.	DESCRIPTION	QTY
NS	NS	25-38534-00	GASKET KIT - Includes:	1
2.	3	25-39027-00	GASKET,OIL PAN	1
3.	15	25-38532-00	GASKET, CYLINDER HEAD	1
4.	8	25-39054-00	GASKET, GEAR CASE	1
4.	23	25-37156-00	GASKET, WATER RETURN FLANGE	1
10.	2	25-38557-00	GASKET, MAIN BEARING CASE	1
10.	4	25-38717-00	GASKET, MAIN BEARING CASE COVER	1
30.	2	25-39188-00	GASKET, INTAKE MANIFOLD	1
31.	2	25-37236-01	GASKET, EXHAUST MANIFOLD	1
31.	5	25-37238-00	GASKET, MUFFLER	1
5.	4	25-38713-00	GASKET, VALVE COVER	1
8.	2	25-37041-00	GASKET, OIL PUMP	1
19.	13	25-37500-01	GASKET, SPEED CONTROL PLATE	1
15.	19	25-37537-00	GASKET, STOP LEVER COVER	1
27.	3	25-37561-00	GASKET, THERMOSTAT FLANGE	1
28.	8	25-37574-00	GASKET, WATER PUMP	1
27.	14	25-37558-00	GASKET, THERMOSTAT HOUSING	1
NS	NS	§25-37092-00	§GASKET, HOUR METER COVER	1
1.	16	25-35032-00	O-RING	1
4.	3	25-37142-00	O-RING	2
4.	5	25-37143-00	O-RING	1
12.	16	25-37389-00	O-RING	1
2., 3.	14, 16	25-39032-00	O-RING	1
NS	NS	§25-37158-00	§SEAL,O-RING	1
7.	4	25-37310-00	O-RING	1
15.	10	25-39267-00	O-RING	1
19.	8	25-39200-00	SEAL,O-RING	1
21.	2	25-38664-00	O-RING	1
21.	8	25-38667-00	O-RING	1
4.	4	25-39046-00	O-RING	1
1., 21.	15, 16	25-35136-05	GASKET, COPPER O-RING	9
15.	16	25-36830-00	SEAL, OIL	1
NS	NS	§25-37151-01	§GASKET, COPPER O-RING	1
10.	7	25-37197-00	SEAL, REAR OIL	1
29.	6	25-37265-00	SEAL, VALVE STEM	8
12.	18	25-37396-01	SEAL, FRONT	1
19.	3	25-37492-00	GASKET, METAL O-RING	2
17.	10	25-36641-00	GASKET, COPPER O-RING	2
NS	NS	§25-38155-01	§SEAL WASHER, DI INJECTOR	4
NS	NS	§25-38155-02SV	§SEAL CARBON, DI INJECTOR	4
§ INDICATES PARTS THAT ARE IN THE KIT BUT ARE NOT USED ON THIS ENGINE.				

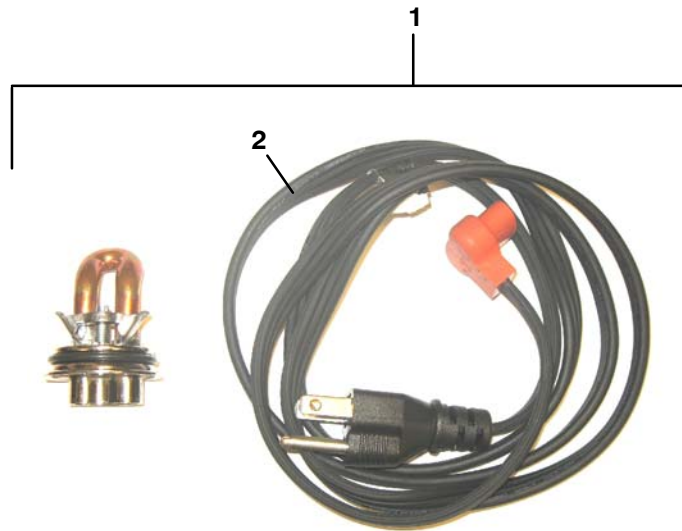
CT4-134-DI

GROUP	ITEM	PART NO.	DESCRIPTION	QTY
NS	NS	25-38533-00	GASKET KIT, CYLINDER HEAD - Includes:	1
3.	15	25-38532-00	GASKET, CYLINDER HEAD	1
30.	2	25-39188-00	GASKET, INTAKE MANIFOLD	1
31.	2	25-37236-01	GASKET, EXHAUST MANIFOLD	1
31.	5	25-37238-00	GASKET, MUFFLER	1
5.	4	25-38713-00	GASKET, VALVE COVER	1
27.	3	25-37561-00	GASKET, THERMOSTAT FLANGE	1
27.	14	25-37558-00	GASKET, THERMOSTAT HOUSING	1
1.	16	25-35032-00	O-RING	1
20.	6	25-39228-00	GASKET, INJECTOR	4
20.	9	25-39298-00	GASKET, LEAK OFF LINE	4
29.	6	25-37265-00	SEAL, VALVE STEM	8

CT4-134-DI

ITEM	PART NO.	DESCRIPTION	QTY
------	----------	-------------	-----

33. ACCESSORIES AND SERVICE PARTS



Item	Part Number	Description	Qty
1	25-38774-00	Heater, Engine Block - Includes:	1
2	25-38774-01	Extension Cord, Engine Block Heater (60" Long)	1

PART NUMBER INDEX

PART NO.	PAGE NO.	PART NO.	PAGE NO.	PART NO.	PAGE NO
25-15019-00	3	25-37034-00	1	25-37197-00	10, 33
25-15020-00	3	25-37035-00	1	25-37235-01	32
25-15070-00	7	25-37036-00	1	25-37236-01	32, 33, 34
25-15071-00	7	25-37037-00	1	25-37237-00	18, 28, 32
25-15301-00	20	25-37039-00	1	25-37238-00	32, 33, 34
25-15302-00	4	25-37040-00	8	25-37262-00	30
25-34169-00	13	25-37041-00	8, 33	25-37263-00	30
25-34222-00	21	25-37042-00	8	25-37264-00	30
25-35031-00	1	25-37043-00	8	25-37265-00	30, 33, 34
25-35032-00	1, 33, 34	25-37044-00	8	25-37266-00	30
25-35045-00	2	25-37048-00	1	25-37267-00	30
25-35136-05	1, 22, 33	25-37049-00	27	25-37267-02	30
25-35354-00	19	25-37077-00	2	25-37268-00	30
25-35389-00	15	25-37079-00	2	25-37271-00	30
25-35458-09	26	25-37085-00	7	25-37272-00	30
25-35485-00	18	25-37087-00	7	25-37273-00	30
25-35524-00	20	25-37089-00	7	25-37276-00	30
25-35531-00	3, 4, 19	25-37092-00	33	25-37277-00	30
25-35675-00	29	25-37106-00	3	25-37310-00	7, 33
25-35684-00	17, 20, 22	25-37107-00	3	25-37351-00	11
25-35685-00	3, 28, 29 32	25-37108-00	3	25-37352-00	11
25-35687-00	3, 4, 14 25, 28, 29 31, 32	25-37119-00	3	25-37353-00	11
25-35692-00	8, 17, 19 20, 22, 29	25-37142-00	4, 21, 33	25-37354-00	11
25-36197-00	5, 9	25-37143-00	4, 33	25-37354-02	11
25-36618-00	18	25-37144-00	4	25-37355-00	11
25-36641-00	18, 33	25-37146-00	4	25-37356-00	11
25-36683-00	6	25-37147-00	4	25-37357-00	11
25-36715-00	22	25-37148-00	4, 29	25-37358-00	11
25-36738-00SV	2, 4	25-37149-00	4	25-37384-13	13
25-36739-00	2	25-37150-00	6	25-37385-02	13
25-36830-00	16, 33	25-37151-00	4	25-37386-00	13
25-37026-00	1	25-37151-01	33	25-37387-00	13
25-37028-00	1	25-37152-00	4	25-37388-00	13
25-37029-00	1	25-37154-00	4	25-37389-00	13, 33
25-37031-00	1	25-37155-00	4	25-37390-00	13
25-37032-00	1	25-37156-00	4, 33	25-37396-01	13, 33
25-37033-00	1	25-37158-00	33	25-37399-00	13
		25-37191-00	10	25-37402-00	24
		25-37191-01	10	25-37409-00	13

PART NUMBER INDEX

PART NO.	PAGE NO.	PART NO.	PAGE NO.	PART NO.	PAGE NO
25-37410-00	13	25-37662-00	28	25-38534-00	33
25-37421-01	14	25-37663-00	25	25-38554-00	10
25-37425-00	14	25-37664-00	28	25-38557-00	10, 33
25-37431-00	15	25-37665-00	4	25-38558-00	10
25-37433-00	15	25-37671-00	29	25-38600-00	11
25-37434-00	15	25-37672-00	17, 20	25-38612-00	13
25-37436-00	15	25-37680-00	25	25-38660-00	15
25-37438-00	15	25-37681-00	22	25-38661-00	15
25-37447-00	15	25-37685-00	19	25-38662-00	22
25-37471-00	19	25-37686-00	20	25-38663-00	22
25-37472-00	19	25-37690-00	22, 25	25-38664-00	22, 33
25-37490-00	20	25-37695-00	1, 4	25-38665-00	22
25-37491-00	20	25-37700-00	11, 13, 24	25-38666-00	22, 23
25-37492-00	20, 33	25-37738-00	26	25-38666-01	23
25-37496-00	20	25-37742-00	26	25-38666-02	23
25-37500-01	20, 33	25-38052-00	27	25-38666-03	23
25-37502-00	20	25-38053-00	27	25-38666-04	23
25-37503-00SV	20	25-38087-00	30	25-38666-05	23
25-37536-00	16	25-38088-00	30	25-38666-06	23
25-37537-00	16, 33	25-38089-00	13	25-38666-07	23
25-37556-00	28	25-38109-05SV	17	25-38666-08	23
25-37557-00	28	25-38118-00	13	25-38666-09	23
25-37558-00	28, 33, 34	25-38120-00	13	25-38666-10	23
25-37559-01	28	25-38121-01	13	25-38666-11	23
25-37560-01	28	25-38122-01	13	25-38666-12	23
25-37561-00	28, 33, 34	25-38122-02	13	25-38666-13	23
25-37574-00	29, 33	25-38126-00	13	25-38666-14	23
25-37580-05	29	25-38126-01	13	25-38666-16	23
25-37580-07	24	25-38126-02	13	25-38667-00	22, 33
25-37580-08	29	25-38140-00	21	25-38668-00	22
25-37580-20	29	25-38155-01	33	25-38669-00	22
25-37581-10	29	25-38155-02SV	33	25-38670-00	22
25-37591-00	18	25-38165-00	15	25-38673-00	22
25-37593-00	18	25-38167-00	15	25-38674-00	22
25-37594-00	22	25-38169-00	15	25-38712-00	5
25-37656-00	20	25-38283-00	28	25-38713-00	5, 33, 34
25-37657-00	2, 3	25-38528-00	3	25-38714-00	5
25-37658-00	11	25-38532-00	3, 33, 34	25-38716-00	8
25-37659-00	31	25-38533-00	34	25-38717-00	10, 33
25-37660-00	10				

PART NUMBER INDEX

PART NO.	PAGE NO.	PART NO.	PAGE NO.	PART NO.	PAGE NO
25-38718-00	10, 29	25-39084-00	16, 29	25-39230-00	21
25-38719-00	9	25-39090-00	30	25-39232-00	21
25-38720-00	9	25-39091-00	18	25-39233-00	21
25-38725-00	9	25-39093-00	18	25-39234-00	21
25-38727-00	9, 28	25-39095-00	18	25-39237-00	21
25-38730-00	9	25-39097-00	18	25-39238-00	21
25-38735-00	28	25-39100-00	11	25-39239-00	21
25-38737-00	13	25-39103-00	19	25-39240-00	26
25-38761-00	11	25-39116-01	13	25-39241-00	26
25-38767-00	25	25-39120-00	13	25-39242-00	26
25-38769-00	5	25-39121-00	13	25-39243-00	26
25-38774-00	35	25-39122-00	13	25-39244-00	26
25-38774-01	35	25-39123-00	6	25-39245-00	26
25-39000-00	14	25-39125-01	14	25-39246-00	26
25-39001-00	14	25-39126-00	14	25-39247-00	26
25-39002-00	15	25-39135-03	26	25-39248-00	26
25-39004-00	15	25-39137-00	26	25-39249-00	26
25-39013-00	1	25-39171-00	17	25-39258-00	16
25-39015-00	1	25-39172-00	18	25-39259-00	16
25-39021-00	2, 6	25-39174-00	18	25-39260-00	16
25-39022-00	6	25-39181-00	15	25-39261-00	16
25-39023-00	30	25-39183-00	15	25-39262-00	16
25-39024-00	9	25-39185-00	26	25-39263-00	16
25-39026-00	2	25-39186-00	26	25-39264-00	16
25-39027-00	2, 33	25-39187-00	31	25-39265-00	16
25-39028-00	2	25-39188-00	31, 33, 34	25-39266-00	16
25-39029-00	2	25-39189-00	30	25-39267-00	16, 33
25-39030-00	2	25-39191-00	20	25-39269-00	19
25-39032-00	2, 3, 33	25-39193-00	20	25-39271-00	19
25-39036-00	3	25-39194-01	20	25-39272-00	19
25-39046-00	4, 33	25-39195-00	20	25-39273-00	19
25-39050-00	4	25-39200-00	20, 33	25-39274-00	19
25-39051-00	4	25-39213-00	19	25-39275-00	19
25-39054-00	4, 33	25-39218-00	16	25-39276-00	2
25-39056-00	6	25-39219-00	19	25-39277-00	2, 29
25-39057-00	6	25-39222-00	21	25-39292-00	2
25-39066-00	4	25-39223-00	21	25-39293-00	14
25-39068-00	3	25-39226-00	29	25-39294-00	10
25-39077-00	32	25-39228-00	21, 34	25-39295-00	10
25-39082-00	16	25-39229-00	21	25-39296-00	10

PART NUMBER INDEX

PART NO.	PAGE NO.	PART NO.	PAGE NO.	PART NO.	PAGE NO
25-39297-00	10	25-39373-00	10	30-00323-00	6
25-39298-00	21, 34	25-39374-00	10	30-00463-00	6
25-39301-00	16	25-39375-00	10	34-00932-13	32
25-39303-00	21	25-39377-00	10	34-00964-00	32
25-39304-00	18	25-39378-00	13	38-00152-00	29
25-39305-00	3	25-39379-00	13	38-00525-00	29
25-39306-00	24	25-39380-00	13	44-00045-01	9
25-39307-00	24	25-39400-00	13	44-00045-06	28
25-39312-00	24	25-39401-00	13	44-00045-25	21
25-39316-00	25	25-39402-00	13	58-00659-00	21
25-39320-00	29	25-39403-00	13	7103056	26
25-39321-00	6	25-39404-00	13	7103057	26
25-39341-01	13	25-39405-00	13	7103058	26
25-39345-00	1	29-70123-00	26	941598	26
25-39371-00	10	29-70223-00	26	944030	15
25-39372-00	10	29-70227-00	26	945721	29



Carrier

A United Technologies Company

Carrier Transicold Division, Carrier Corporation
Truck/Trailer & Container Products Groups
P.O. Box 4805
Syracuse, N.Y. 13221 U.S.A.

www.carrier.transicold.com



A member of the United Technologies Corporation family. Stock symbol UTX
©2005 Carrier Corporation D Printed in U. S. A. 1005