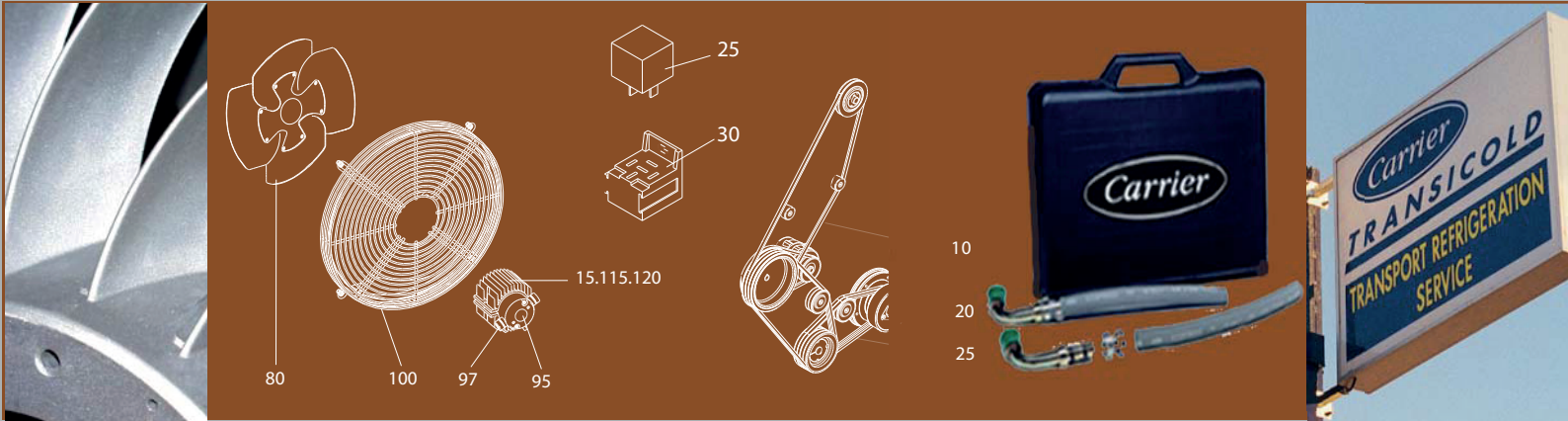




# Refrigeration Connection Components Spare Parts Catalog





# Service Parts List Refrigeration Connection Components

## Table of Contents

Introduction .....	ii
Replacement Engine Part Number .....	ii
Ordering Instruction .....	ii
Assembly Instruction .....	iii
1. Hose for Fitting Crimping .....	4
2. Flare Crimping Female Fitting .....	5
3. O.R.F.S. Crimping Female Fitting .....	6
4. O-Ring Pilot Crimping Female Fitting .....	7
5. O-Ring Pilot Crimping Male Fitting .....	8
6. Crimping Service Port .....	9
7. Collector .....	11
8. Short Female O-Ring Pilot Crimping Fitting .....	11
9. Quick Connect Fitting .....	11
10. Flare Female Reusable Fitting .....	12
11. Reusable Female 24° DIN Fitting (Hydraulic) .....	13
12. O-Ring .....	14
13. O.R.F.S. Fitting .....	15
14. Fitting Flare .....	17
15. Valve .....	20
16. Elbow .....	21
17. O-Ring Pilot 90° Fitting to be Screwed .....	23
18. O.R.F.S. 90° Elbow to be Screwed / Brazed .....	23
19. Adapter .....	23
20. Tee .....	24
21. Fitting .....	26
22. Vibrasorber .....	27
23. The Coppers .....	29
24. Flux Additament for Copper and Silver Soldering .....	36



Carrier Transicold Europe, l'Européen Bâtiment D - 4, rue Joseph Monier  
92500 Rueil Malmaison- FRANCE  
Carrier Transicold Division, Carrier Corporation, P.O. Box 4805, Syracuse, N.Y. 13221

# Refrigeration Components

---

## Introduction :

This spare parts manual contains all the refrigeration circuit connections used by CARRIER TRANSICOLD in transport refrigeration.

Detailed parts identification for these items may be found in the applicable parts lists.

## Ordering Instruction :

All orders and inquiries for parts must include:

- Unit Serial Number
- Part No.
- Description of part as shown on list
- Quantity required

Address all correspondence for parts to the following address according to your living area.

<b>You live in:</b>	<b>EUROPE (East/West) C.T.E. AFRICA - MIDDLE EAST</b>	<b>AMERICA (North/Middle/South) N.A.O.</b>
Address your orders to:	CARRIER TRANSICOLD EUROPE L'Européen Bâtiment D 4, Rue Joseph Monier 92500 Rueil-Malmaison Phone : (33).1.41.42.28.00 Fax : (33).1.41.42.28.28	CARRIER TRANSICOLD Division Replacement Components Group TR-20 P.O. Box 4805, Syracuse, NY 13221 or Fax to : (315) 432.3778

## General Notes :

To find replacement parts, determine major group in which replacement part is located, consult table of contents for they appropriate page for the illustrated breakdown of the replacement part.

# Refrigeration Components

## Assembly instructions for Twin-Clip Fast Crimp connections

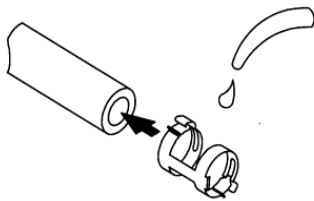


07-60133-00 - Fitting Insertion Tool, Includes:  
07-60133-10 - Set of jaws  
07-60133-20 - Set of adapters  
07-60133-30 - Set of springs

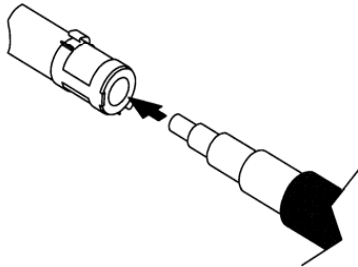


07-60117-00 - Tool Kit

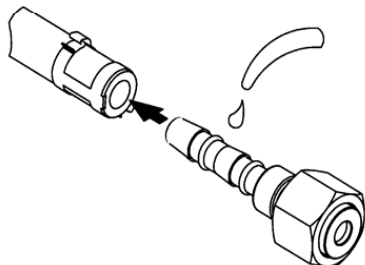
1. Cut the end of the tube using the hose cutter in the tool kit.



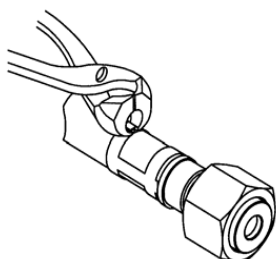
2. Fit the clamp bracket into the hose until the sharp edge angle comes up against the tube edge. Oil the clamp with refrigeration oil compatible with the refrigerant.



3. Using the reducer contained in the case, widen the tube to prevent the connection seals from turning when installed.



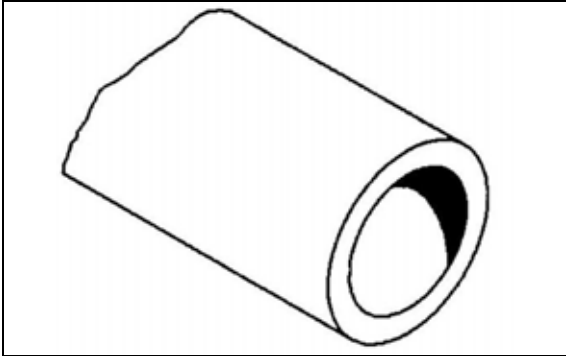
4. Oil the nozzle with refrigeration oil compatible with the refrigerant and press the nozzle into the tube until it comes up against the collar of the clamp bracket.



5. Using the pliers in the case, clip the clamp lugs tightly together.

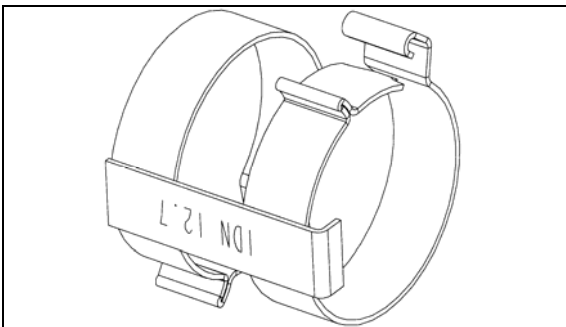
# Refrigeration Components

## 1. Hose for Fitting Crimping



Hose for Fitting Crimping		
IDN	Ø Ext (mm)	CODE
8 (3/8")	16	58-60745-01
10,7 (1/2")	19	58-60745-02
12,7 (5/8")	21	58-60745-03
16,1 (3/4")	24	58-60745-04

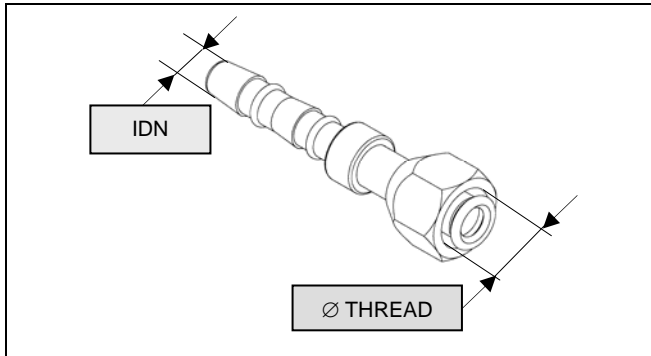
NOTE: Hose is sold in 15m. lengths. It is compatible with Refrigerants R500, R502, R134A, R402A, R404A and R403B.



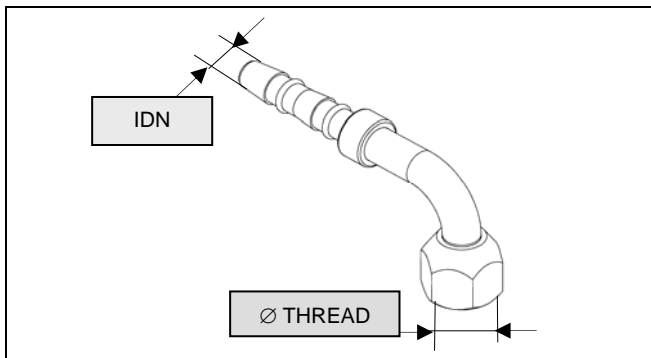
Double Clic Clamp for Hose Crimping	
IDN	CODE
8 (3/8")	44-60129-01
10,7 (1/2")	44-60129-02
12,7 (5/8")	44-60129-03
16,1 (3/4")	44-60129-04

# Refrigeration Components

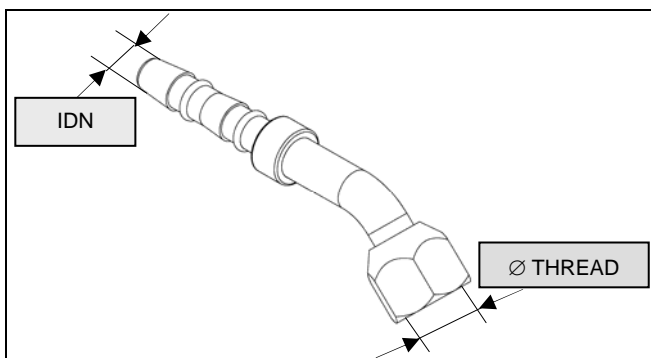
## 2. Flare Crimping Female Fitting



FEMALE FLARE, <b>STRAIGHT</b> , CRIMPING FITTINGS		
Ø THREAD	IDN	CODE
1/4"	8 (3/8")	40-60306-10
3/8"	8 (3/8")	40-60306-01
1/2"	10,7 (1/2")	40-60306-02
1/2"	12,7 (5/8")	40-60306-12
5/8"	12,7 (5/8")	40-60306-03
5/8"	16,1 (3/4")	40-60306-13
3/4"	16,1 (3/4")	40-60306-04



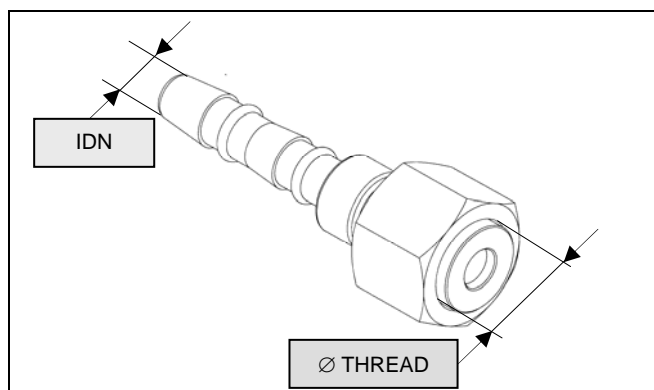
FEMALE FLARE, <b>90°</b> CRIMPING FITTINGS		
Ø THREAD	IDN	CODE
1/4"	8 (3/8")	40-60307-10
3/8"	8 (3/8")	40-60307-01
1/2"	10,7 (1/2")	40-60307-02
1/2"	12,7 (5/8")	40-60307-12
5/8"	12,7 (5/8")	40-60307-03
5/8"	16,1 (3/4")	40-60307-13
3/4"	16,1 (3/4")	40-60307-04



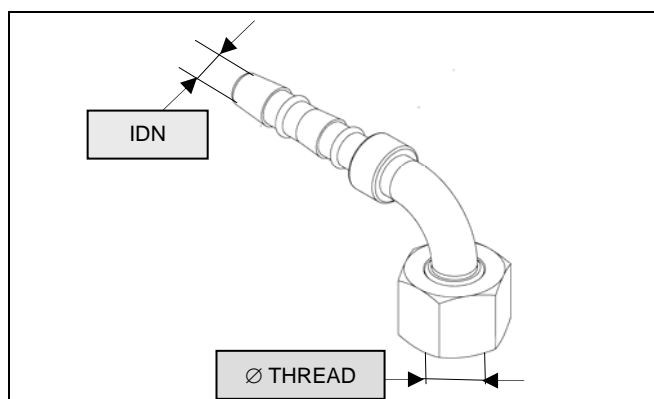
FEMALE FLARE, <b>135°</b> CRIMPING FITTINGS		
Ø THREAD	IDN	CODE
1/4"	8 (3/8")	40-60308-10
3/8"	8 (3/8")	40-60308-01
1/2"	10,7 (1/2")	40-60308-02
1/2"	12,7 (5/8")	40-60308-12
5/8"	12,7 (5/8")	40-60308-03
5/8"	16,1 (3/4")	40-60308-13
3/4"	16,1 (3/4")	40-60308-04

# Refrigeration Components

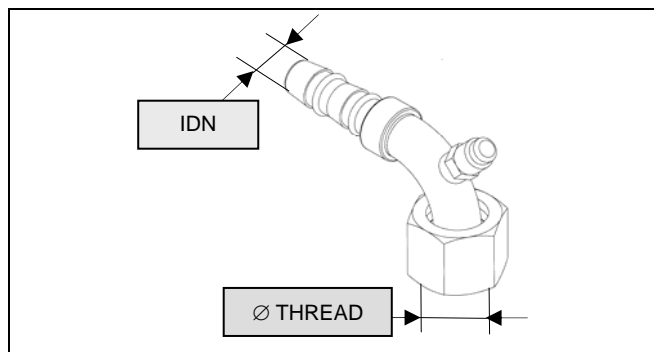
## 3. O.R.F.S Crimping Female Fitting



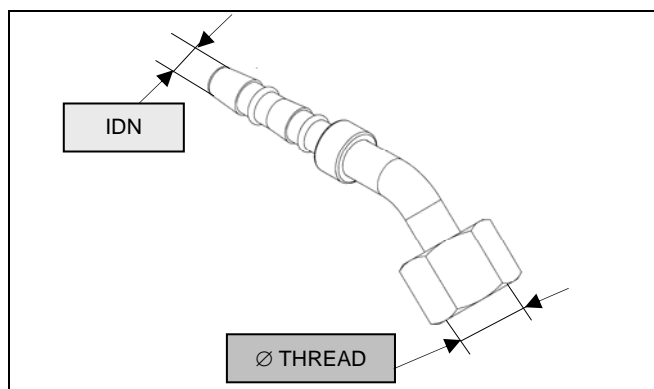
O.R.F.S FEMALE, <b>STRAIGHT</b> FITTINGS		
Ø THREAD	IDN	CODE
1/4"	8 (3/8")	40-60288-10
3/8"	8 (3/8")	40-60288-01
1/2"	10,7 (1/2")	40-60288-02
1/2"	12,7 (5/8")	40-60288-12
5/8"	12,7 (5/8")	40-60288-03
3/4"	16,1 (3/4")	40-60288-04



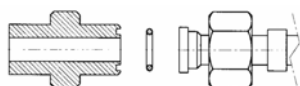
O.R.F.S FEMALE, <b>90°</b> FITTINGS		
Ø THREAD	IDN	CODE
1/4"	8 (3/8")	40-60289-10
3/8"	8 (3/8")	40-60289-01
1/2"	10,7 (1/2")	40-60289-02
1/2"	12,7 (5/8")	40-60289-12
5/8"	12,7 (5/8")	40-60289-03
5/8"	16,1 (3/4")	40-60289-13
3/4"	16,1 (3/4")	40-60289-04



O.R.F.S, <b>90°</b> CRIMPING FITTINGS		
Ø THREAD	IDN	CODE
5/8"	12,7 (5/8")	40-60289-23



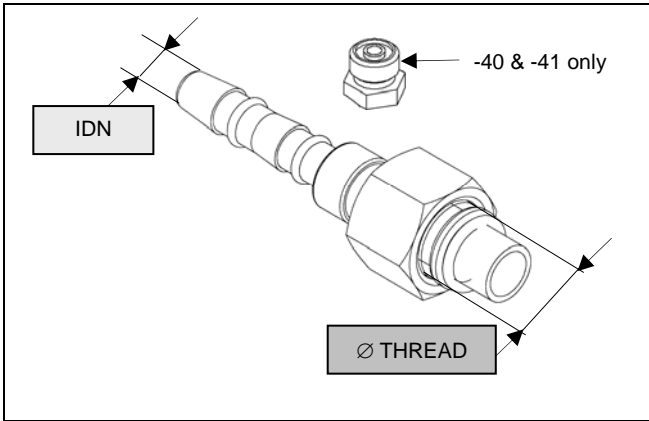
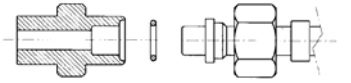
O.R.F.S FEMALE, <b>135°</b> FITTINGS		
Ø THREAD	IDN	CODE
1/4"	8 (3/8")	40-60290-10
3/8"	8 (3/8")	40-60290-01
1/2"	10,7 (1/2")	40-60290-02
1/2"	12,7 (5/8")	40-60290-12
5/8"	12,7 (5/8")	40-60290-03
3/4"	16,1 (3/4")	40-60290-04



O.R.F.S : O-RING FACE SEAL

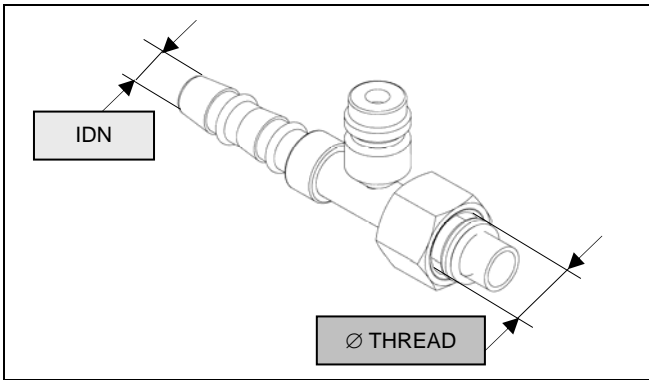
# Refrigeration Components

## 4. O-Ring Pilot Crimping Female Fitting



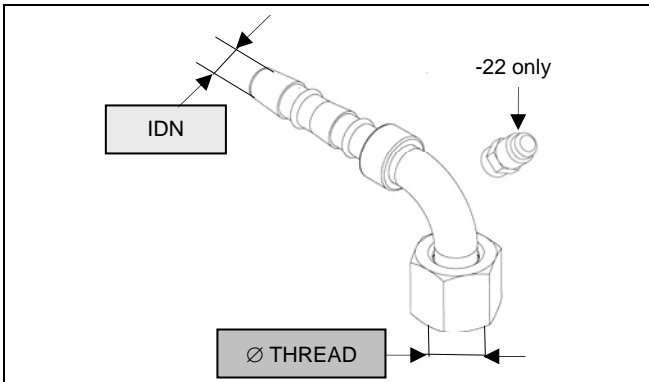
O-RING PILOT, **STRAIGHT** CRIMPING FEMALE FITTINGS

Ø THREAD	IDN	CODE
3/8"	8 (3/8")	40-60285-01
1/2"	10,7 (1/2")	40-60285-02
1/2"	12,7 (5/8")	40-60285-12
5/8"	12,7 (5/8")	40-60285-03
5/8"	12,7 (5/8")	40-60285-40
5/8"	16,1 (3/4")	40-60285-13
5/8"	16,1 (3/4")	40-60285-41
3/4"	16,1 (3/4")	40-60285-04



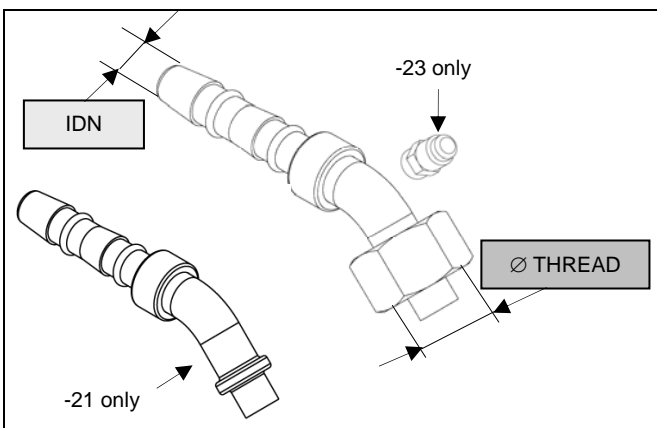
O-RING PILOT **STRAIGHT** CONNECTION

Ø THREAD	IDN	CODE
1/2"	6 (1/2")	40-60285-22
5/8"	12,7 (5/8")	40-60285-23
5/8"	16,1 (3/4")	40-60285-33



O.RING PILOT **90°** CRIMPING FEMALE FITTINGS

Ø THREAD	IDN	CODE
3/8"	8 (3/8")	40-60286-01
1/2"	10,7 (1/2")	40-60286-02
1/2"	10,7 (1/2")	40-60286-22
1/2"	10,7 (1/2")	40-60286-40
1/2"	12,7 (5/8")	40-60286-12
5/8"	12,7 (5/8")	40-60286-03
5/8"	16,1 (3/4")	40-60286-13



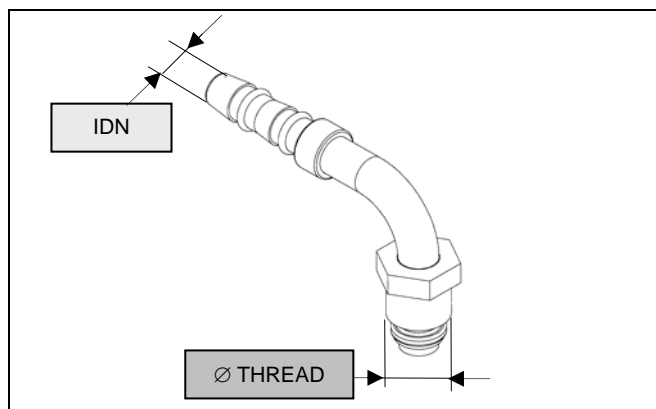
O-RING PILOT, **135°** CRIMPING FEMALE FITTINGS

Ø THREAD	IDN	CODE
3/8"	8 (3/8")	40-60287-01
1/2"	10,7 (1/2")	40-60287-02
1/2"	12,7 (5/8")	40-60287-12
5/8"	12,7 (5/8")	40-60287-03
5/8"	12,7 (5/8")	40-60287-23
5/8"	16,1 (3/4")	40-60287-13
3/4"	16,1 (3/4")	40-60287-04
Without nut	8 (3/8")	40-60287-21



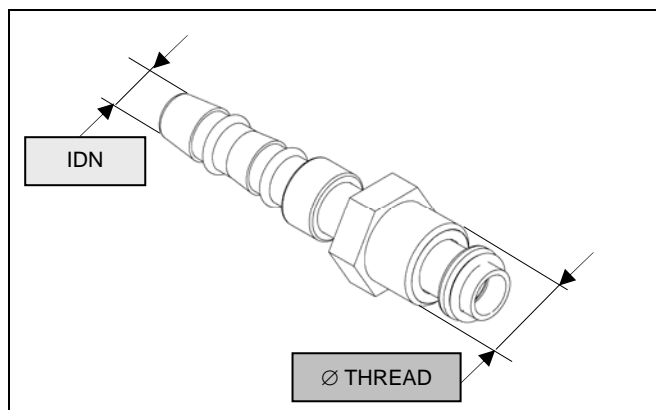
# Refrigeration Components

## 5. O-Ring Pilot Crimping Male Fitting



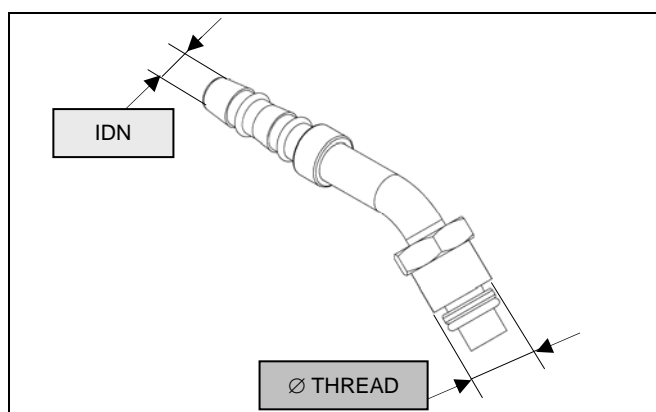
O-RING PILOT, **90°** CRIMPING MALE FITTINGS

Ø THREAD	IDN	CODE
3/8"	8 (3/8")	40-60309-01
3/8"	10,7 (1/2")	40-60309-11
1/2"	10,7 (1/2")	40-60309-02
5/8"	12,7 (5/8")	40-60309-03
5/8"	16,1 (3/4")	40-60309-13



O-RING PILOT, **STRAIGHT** CRIMPING MALE FITTINGS

Ø THREAD	IDN	CODE
3/8"	8 (3/8")	40-60310-01
3/8"	10,7 (1/2")	40-60310-11
1/2"	10,7 (1/2")	40-60310-02
5/8"	12,7 (5/8")	40-60310-03
5/8"	16,1 (3/4")	40-60310-13

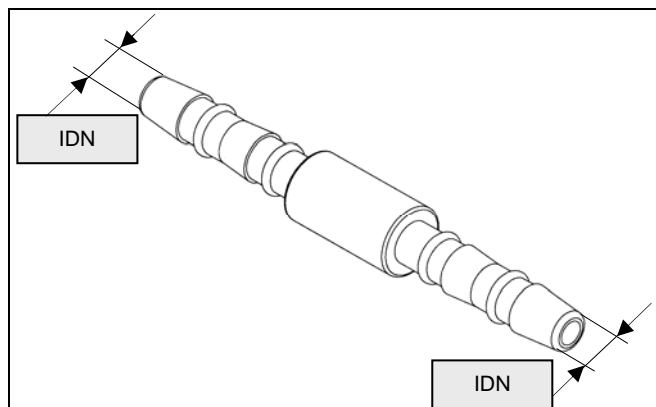


O-RING PILOT, **135°** CRIMPING MALE FITTINGS

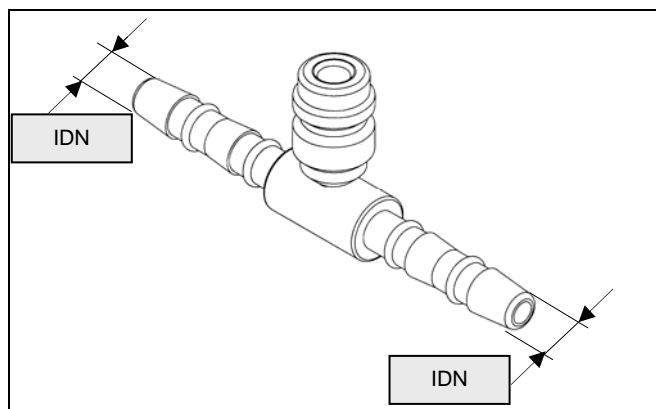
Ø THREAD	IDN	CODE
3/8"	8 (3/8")	40-60315-01
1/2"	10,7 (1/2")	40-60315-02
5/8"	12,7 (5/8")	40-60315-03

# Refrigeration Components

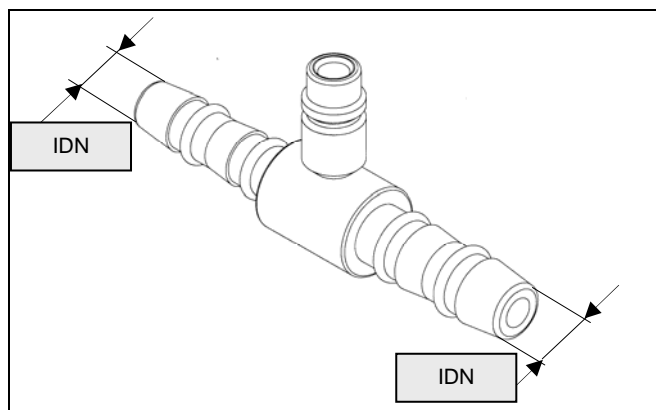
## 6. Crimping Service Port



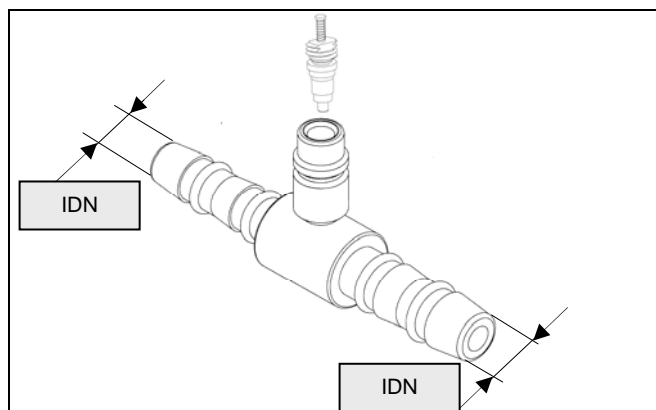
CRIMPING FITTING	
IDN	CODE
8 (3/8")	40-60291-01
10,7 (1/2")	40-60291-02
12,7 (5/8")	40-60291-03
16,1 (3/4")	40-60291-04



HP CRIMPING SERVICE PORT	
IDN	CODE
8 (3/8")	40-60291-21
10,7 (1/2")	40-60291-22
12,7 (5/8")	40-60291-23

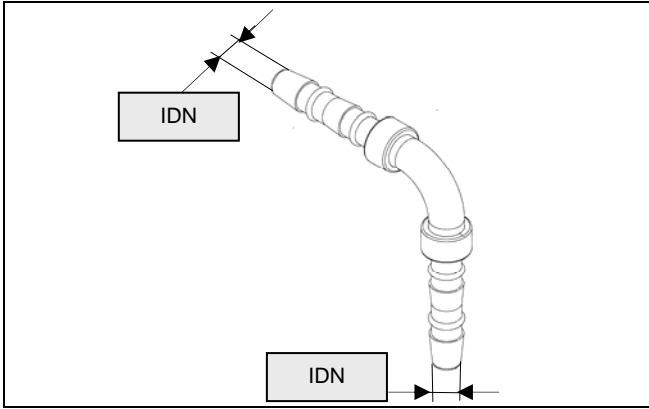


LP CRIMPING SERVICE PORT	
IDN	CODE
12,7 (5/8")	40-60291-24
16,1 (3/4")	40-60291-25

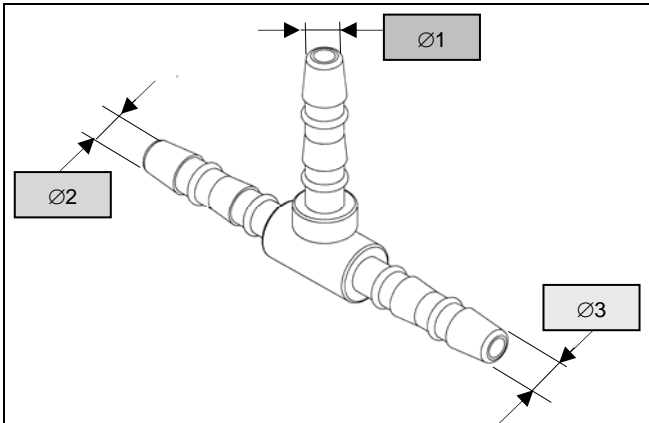


SERVICE PORT + 1/4 FLARE SCHRADER FITTING	
IDN	CODE
8 (3/8")	40-60291-26
10,7 (1/2")	40-60291-27
12,7 (5/8")	40-60291-28
16,1 (3/4")	40-60291-29

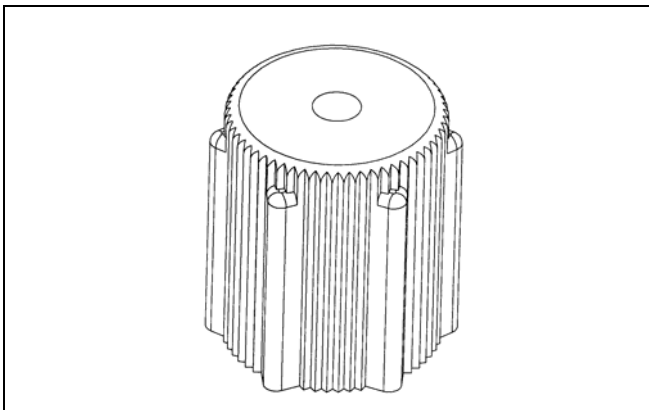
# Refrigeration Components



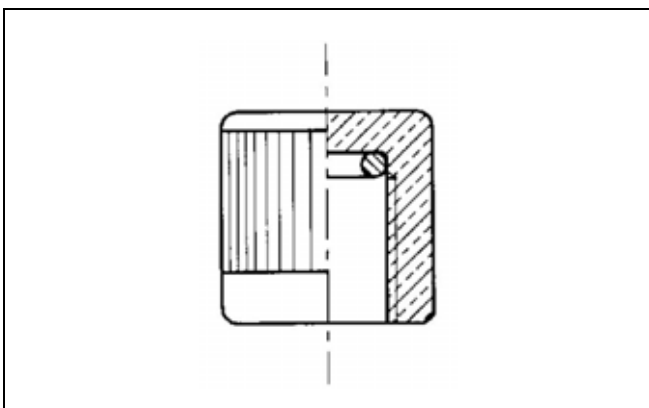
CRIMPING FITTING 90°	
IDN	CODE
8 (3/8")	40-60292-01
10,7 (1/2")	40-60292-02
12,7 (5/8")	40-60292-03
16,1 (3/4")	40-60292-04



CRIMPING TEE FITTING			
Ø1	Ø2	Ø3	CODE
8	8	8	40-60293-01



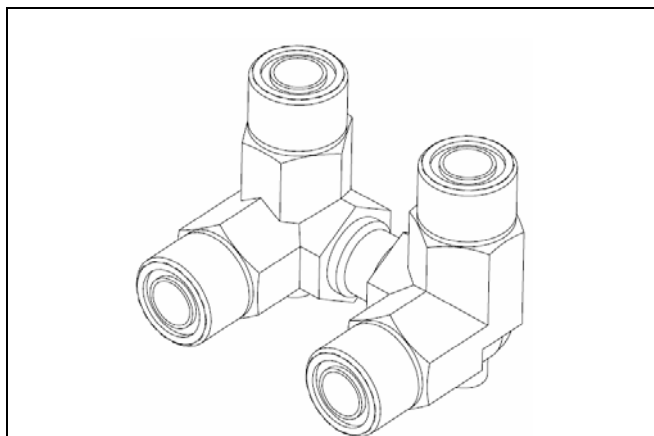
PLASTIC PLUG FOR SERVICE PORT	
For	CODE
H.P	58-60230-00
L.P	58-60231-00



PLASTIC PLUG FOR SERVICE PORT	
Ø THREAD	CODE
1/4"	58-60232-00

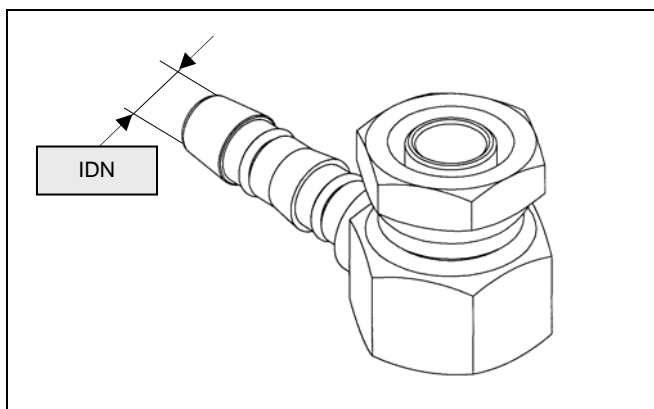
# Refrigeration Components

## 7. Collector



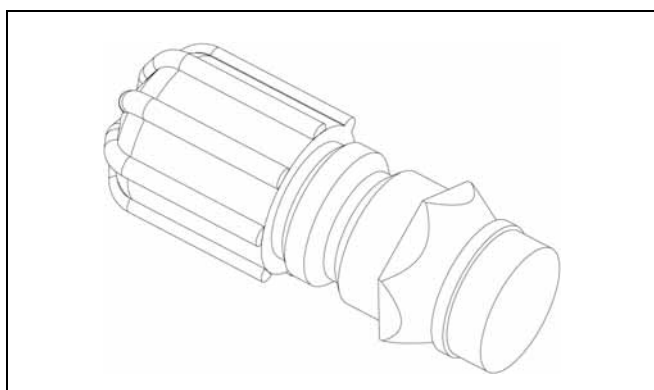
COLLECTOR LP 4 WAYS	
CODE	
40-60217-00	

## 8. Short Female O-Ring Pilot Crimping Fitting



FEMALE O-RING PILOT 90° SHORT CRIMPING FITTING	
IDN	CODE
10,7 (1/2")	40-60311-02
12,7 (5/8")	40-60311-03

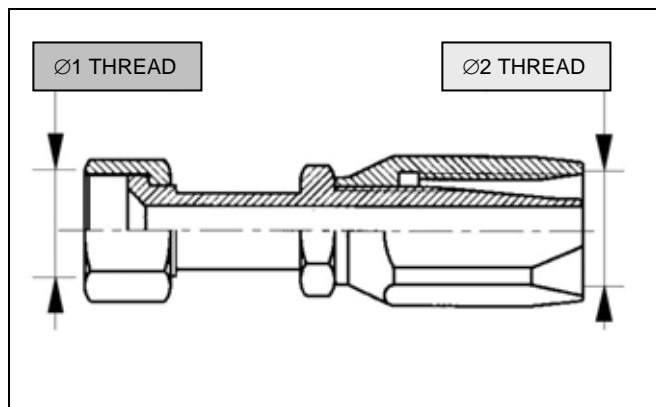
## 9. Quick Connect Fitting



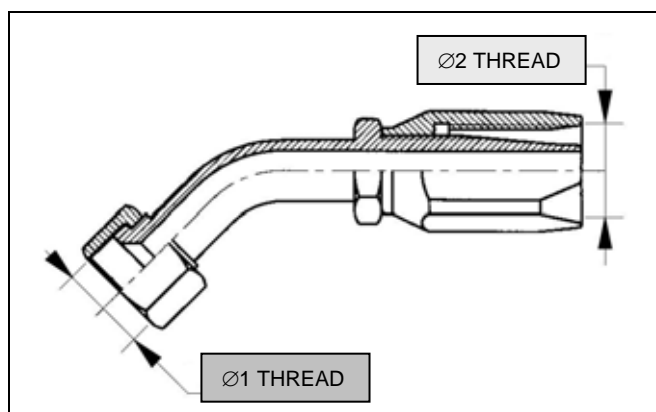
QUICK CONNECT NIPPLE WITH CAP	
For	CODE
H.P	40-00520-00
L.P	40-00520-01
CAP ONLY	
For	CODE
H.P	40-00520-02
L.P	40-00520-03

# Refrigeration Components

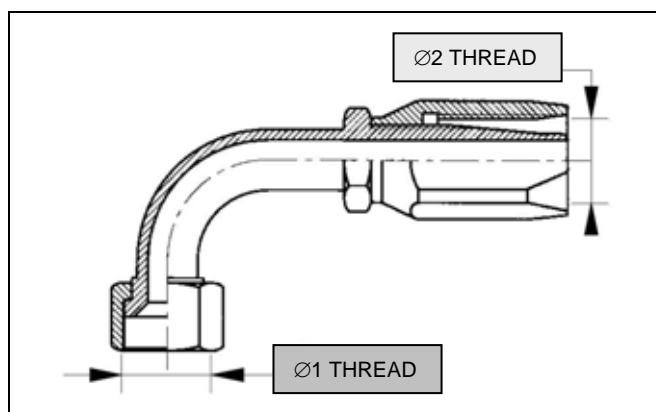
## 10. Flare Female Reusable Fitting



FLARE STRAIGHT FEMALE REUSABLE FITTING		
Ø1 THREAD	Ø2 THREAD	CODE
1/4"	1/4"	150564
1'	1'	150572



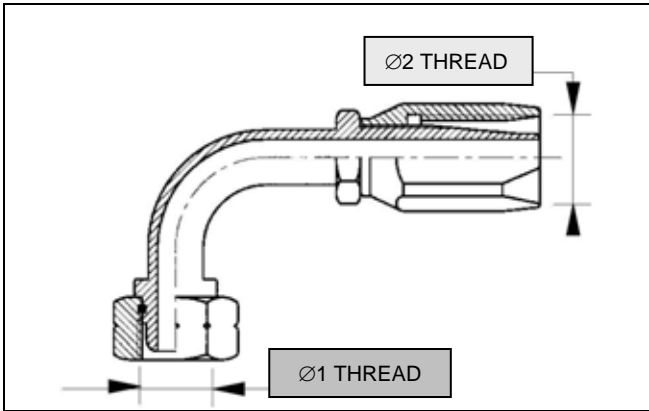
FLARE 135° FEMALE REUSABLE FITTING		
Ø1 THREAD	Ø2 THREAD	CODE
1/4"	1/4"	150655
1'	1'	150646



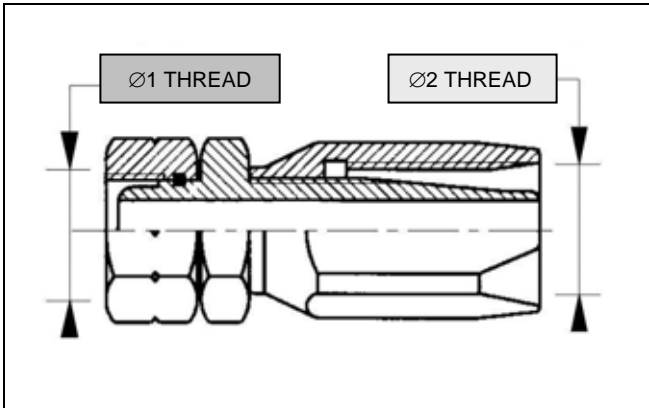
FLARE 90° FEMALE REUSABLE FITTING		
Ø1 THREAD	Ø2 THREAD	CODE
1/4"	1/4"	150565
1'	1'	150573

# Refrigeration Components

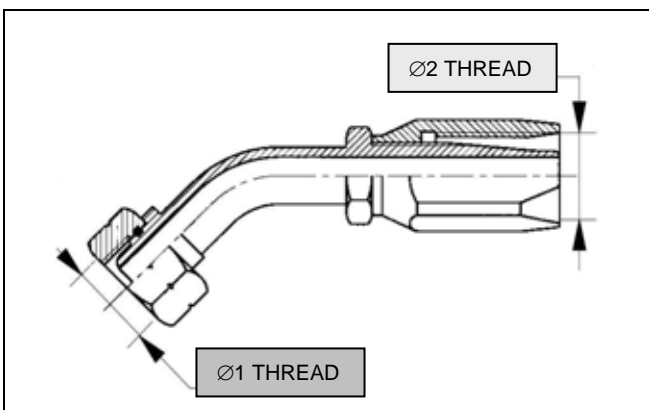
## 11. Reusable Female 24° DIN Fitting (Hydraulic)



FEMALE 90° REUSABLE FITTING 24° DIN FEMALE		
Ø1 THREAD	Ø2 THREAD	CODE
M 30X2	1'	40-60088-06
M 36X2	1' 1/8"	40-60088-07



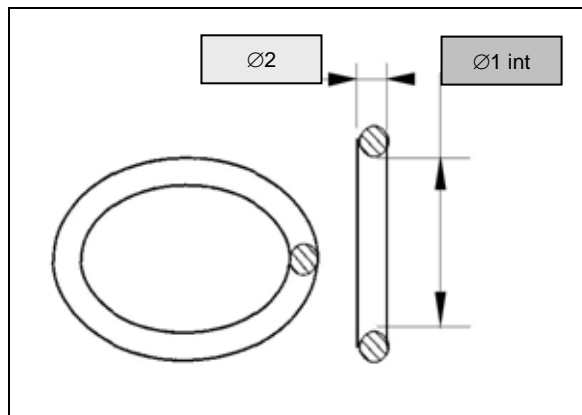
FEMALE STRAIGHT REUSABLE FITTING 24° DIN		
Ø1 THREAD	Ø2 THREAD	CODE
M 30X2	1'	40-60089-06
M 36X2	1' 1/8"	40-60089-07



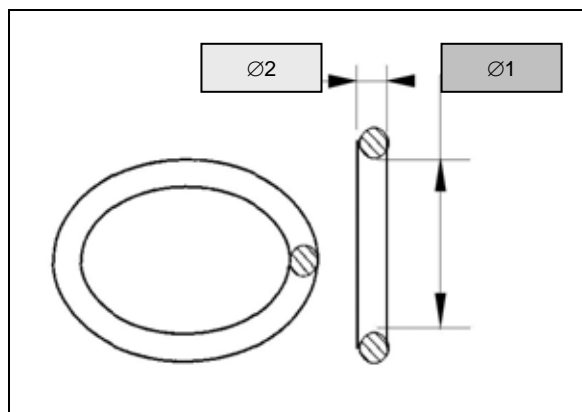
FEMALE 135° REUSABLE FITTING 24° DIN		
Ø1 THREAD	Ø2 THREAD	CODE
M 30X2	1'	40-60090-06
M 30X2	1' 1/8"	40-60090-09
M 36X2	1'	40-60090-08
M 36X2	1' 1/8"	40-60090-07

# Refrigeration Components

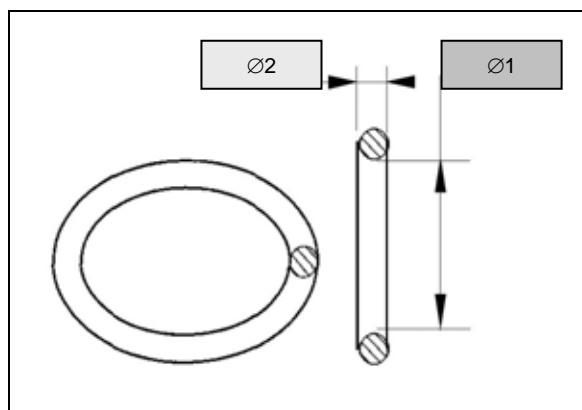
## 12. O-Ring



O-RING					
O.R.S	SAE O-RING	O-RING PILOT	Ø1 (mm)	Ø2 (mm)	CODE
4		6	7.66	1.78	42-00243-10
6			9.25	1.78	42-00243-09
8			12.42	1.78	42-00243-04
10			15.60	1.78	42-00243-03
12			18.77	1.78	42-00243-11
		8	10.82	1.78	42-00243-12
		10	14	1.78	42-00243-13
16			23.52	1.78	42-00243-16
16			23.39	3.53	42-00243-00
	6		11.88	1.98	42-00243-05
			40.86	3.53	42-00243-06
	4		8.91	1.83	42-00243-07
			9	1.50	42-00243-23
			40	2	42-00243-24
			12	2	42-00243-25
			65	2	42-00243-26
			61.50	3.50	42-00243-29



O-RING FOR HYDRAULIC		
Ø1	Ø2	CODE
21.94	1.78	42-00243-15
25.02	2.62	42-00243-17

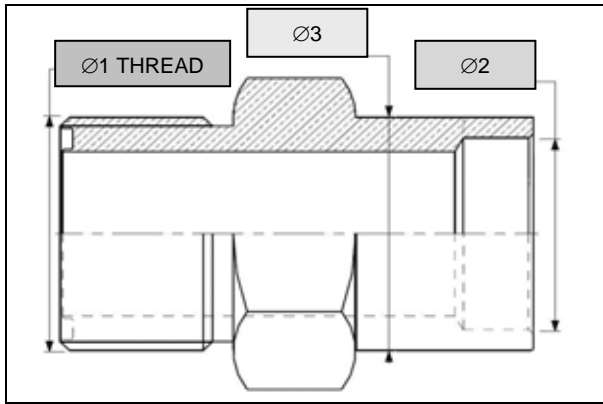


O-RING FOR FLANGE COUPLING			
Application compressor	Ø 1	Ø 2	CODE
TM15 / TM16	21.49	2.47	42-60023-00

# Refrigeration Components

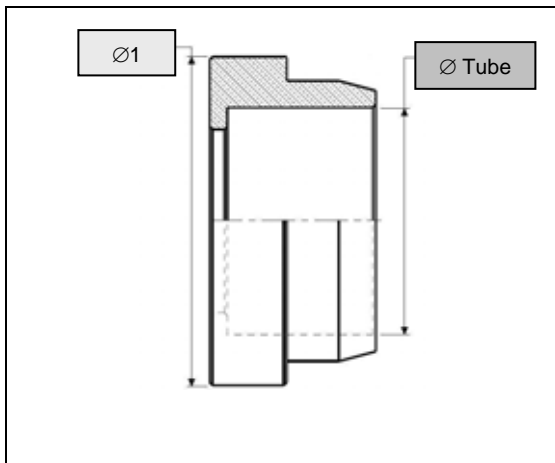
## 13. O.R.F.S Fitting

The fitting is not delivered with its O-RING. See page 44.



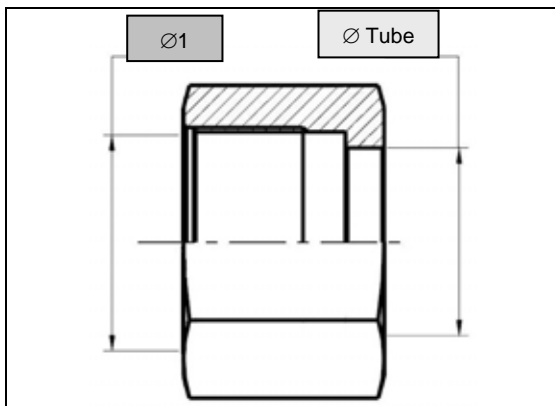
O-RING FOR FLANGE COUPLING

Ø1 THREAD	Ø2	Ø3	CODE
9/16-18	6.50	9.52	40-60007-01
11/16-16	9.65	12.70	40-60007-02
13/16-16	12.85	15.88	40-60007-03
1-14	16	19.05	40-60007-04
1 <sup>3</sup> /16-12	19.20	22.22	40-60007-05
13/16-16	16	19.05	40-60007-06
9/16-18	9.65	12.70	40-60007-07
1-14	19.20	22.22	40-60007-08
1-14	12.85	15.88	40-60007-09
9/16-18	-	7	40-60007-10
1 <sup>5</sup> /16-12	22.4	25.40	40-60007-11
11/16-16	12.85	15.88	40-60007-12
11/16-16	9.65	12.70	40-60007-13
11/16-16	4.40	6.35	40-60007-14
13/16-16	-	12.70	40-60007-15
1 <sup>5</sup> /16-12	12.85	15.88	40-60007-17
1 <sup>5</sup> /16-12	16	25.4	40-60007-19
1 <sup>3</sup> /16-12	19.2	22.2	40-60007-20
1 <sup>5</sup> /16-12	22.4	28.7	40-60007-21



O.R.F.S FEMALE SLEEVE TO BE BRAZED

Ø Tube	Ø1 Module nut	CODE
1/4"	4	40-60008-01
3/8"	6	40-60008-02
1/2"	8	40-60008-03
5/8"	10	40-60008-04
3/4"	12	40-60008-05
7/8"	16	40-60008-06
7/8"	14	40-60008-07
3/8"	10	40-60008-08
1/2"	10	40-60008-09
3/8"	6 SP	40-60008-10

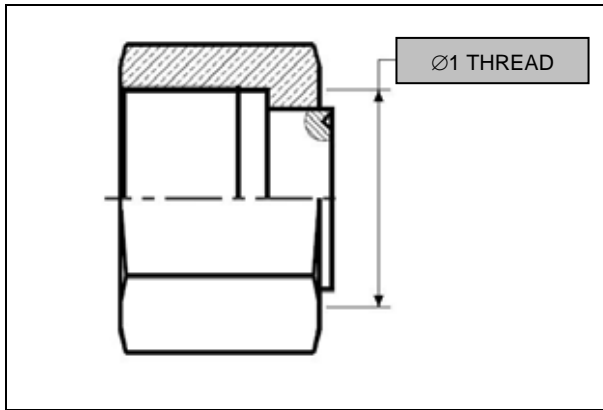


O.R.F.S NUT

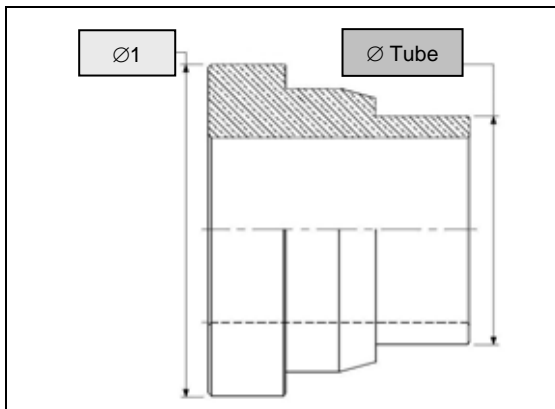
Ø THREAD	Ø Tube	CODE
9/16-18	1/4"	40-60009-01
11/16-16	3/8"	40-60009-02
13/16-16	1/2"	40-60009-03
1-14	5/8"	40-60009-04
1 <sup>3</sup> /16-12	3/4"	40-60009-05
1 <sup>5</sup> /16-12	7/8"	40-60009-06



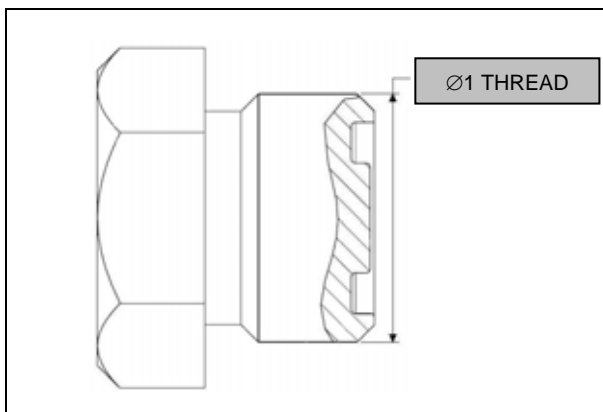
# Refrigeration Components



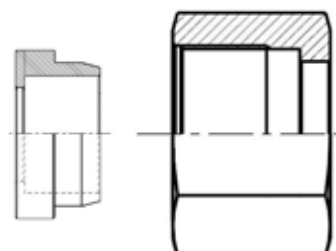
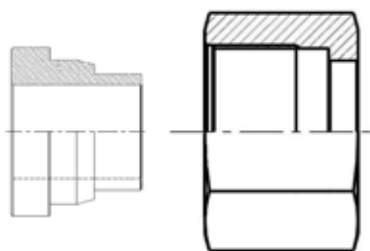
O.R.F.S CAP FEMALE TO BE SCREWED	
Ø1 THREAD	CODE
9/16-18	40-60010-01
11/16-16	40-60010-02
13/16-16	40-60010-03
1-14	40-60010-04
1'3/16-12	40-60010-05
1'5/16-12	40-60010-06



O.R.F.S MALE SLEEVE TO BE BRAZED		
Ø Tube	Ø1 Module nut	CODE
3/8" Female	6	40-60018-02
1/2" Female	8	40-60018-03
5/8" Female	10	40-60018-04
3/4" Female	12	40-60018-05
3/4" Male	10	40-60018-06
7/8" Male	10	40-60018-07

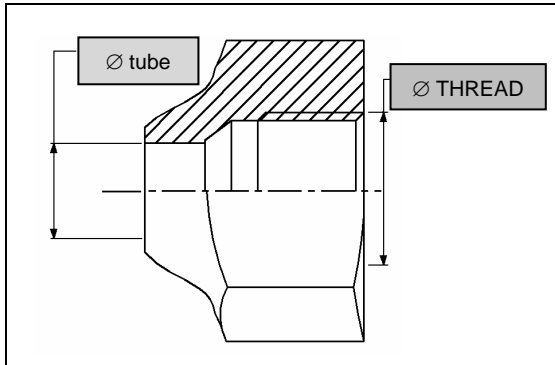


O.R.F.S CAP MALE TO BE SCREWED	
Ø1 THREAD	CODE
9/16-18	40-60019-01
11/16-16	40-60019-02
13/16-16	40-60019-03
1-14	40-60019-04
1'3/16-12	40-60019-05

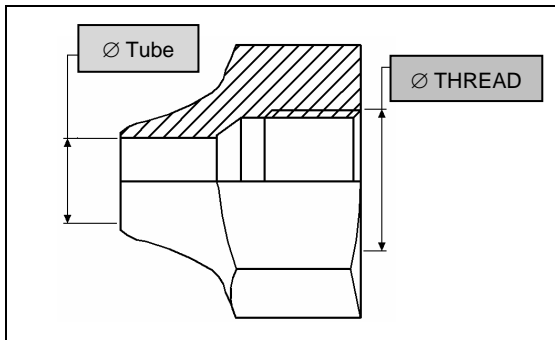


# Refrigeration Components

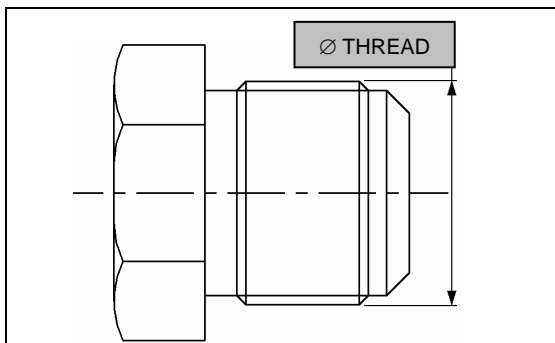
## 14. Fitting Flare



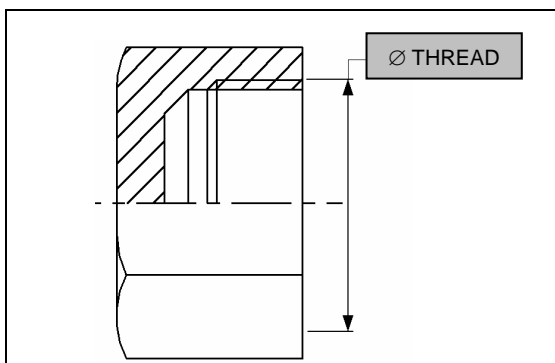
SHORT BRASS NUT		
Ø THREAD	Ø Tube	CODE
7/16" (1/4")	1/4"	40-00086-04
5/8" (3/8")	3/8"	40-00086-06
3/4" (1/2")	1/2"	150039
7/8" (5/8")	5/8"	150040
1 1/16" (3/4")	3/4"	150041
3/4" (1/2")	3/8"	150043
5/8" (3/8")	1/4"	150521



LONG BRASS NUT		
Ø THREAD	Ø Tube	CODE
5/8" (3/8")	3/8"	150049
3/4" (1/2")	1/2"	150050
7/8" (5/8")	5/8"	150051
3/4" (1/2")	3/8"	150690

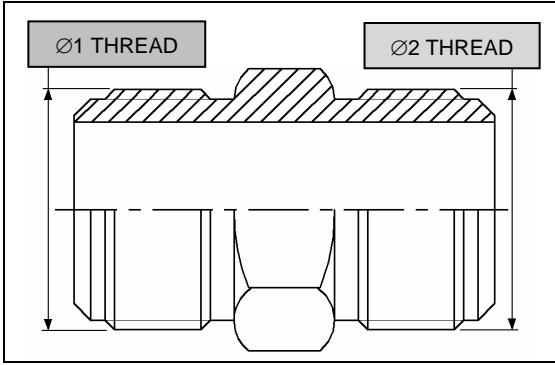


MALE CAP TO BE SCREWED	
Ø THREAD	CODE
7/16" (1/4")	150001
5/8" (3/8")	150002
3/4" (1/2")	150003
7/8" (5/8")	150004
1 1/16" (3/4")	150005

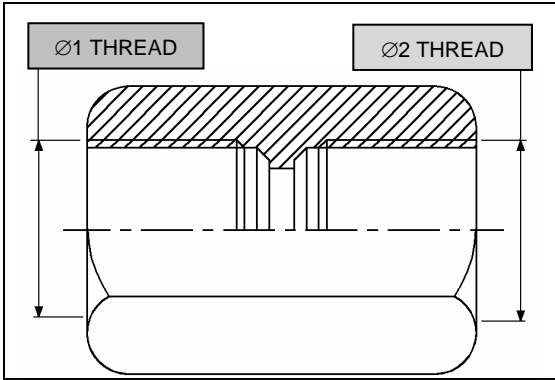


FEMALE CAP TO BE SCREWED	
Ø THREAD	CODE
7/16" (1/4")	150530

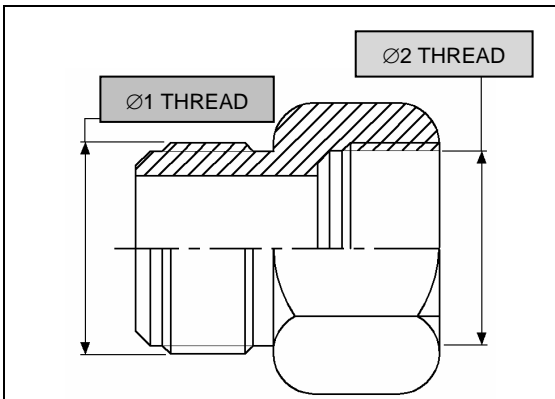
# REFRIGERATION COMPONENTS



DOUBLE <b>MALE</b> FITTING TO BE SCREWED		
Ø1 THREAD	Ø2 THREAD	CODE
7/16" (1/4")	7/16" (1/4")	150066
5/8" (3/8")	5/8" (3/8")	150067
3/4" (1/2")	3/4" (1/2")	150068
7/8"(5/8")	7/8"(5/8")	150069
1"1/16"(3/4")	1"1/16"(3/4")	150070
5/8" (3/8")	7/16"(1/4")	150074
3/4"(1/2")	7/16"(1/4")	150078
3/4"(1/2")	5/8" (3/8")	150076
3/4"(1/2")	7/8"(5/8")	150077
1"1/16"(3/4")	7/8"(5/8")	7101376

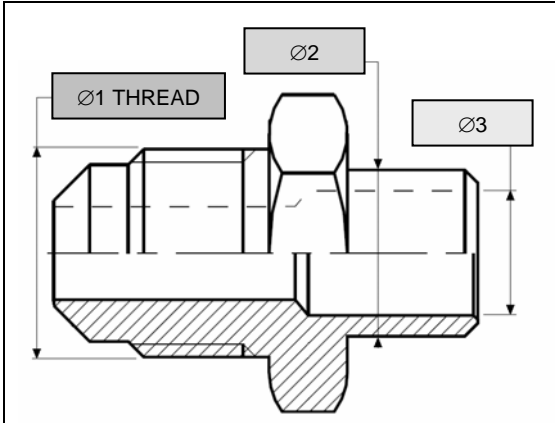


DOUBLE <b>FEMALE</b> FITTING TO BE SCREWED		
Ø1 THREAD	Ø2 THREAD	CODE
7/16" (1/4")	7/16" (1/4")	150062
5/8" (3/8")	5/8" (3/8")	150063
3/4" (1/2")	3/4" (1/2")	150064
5/8" (3/8")	3/4" (1/2")	151009

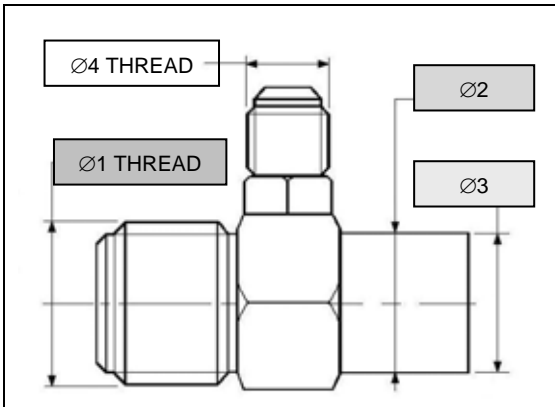


MALE / FEMALE FITTING TO BE SCREWED		
Ø1 THREAD	Ø2 THREAD	CODE
7/16" (1/4")	7/16" (1/4")	150160
7/16" (1/4")	5/8" (3/8")	150098
7/16" (1/4")	3/4" (1/2")	151802
3/4" (1/2")	5/8"(3/8")	150099
3/4" (1/2")	3/4" (1/2")	150103
3/4" (1/2")	7/8"(5/8")	150106
5/8" (3/8")	1"1/16"(3/4")	150102
5/8" (3/8")	5/8" (3/8")	150104
7/8"(5/8")	5/8" (3/8")	150110
7/8"(5/8")	3/4" (1/2")	150105
7/8"(5/8")	1"1/16"(3/4")	150108
7/8"(5/8")	7/8"(5/8")	150107

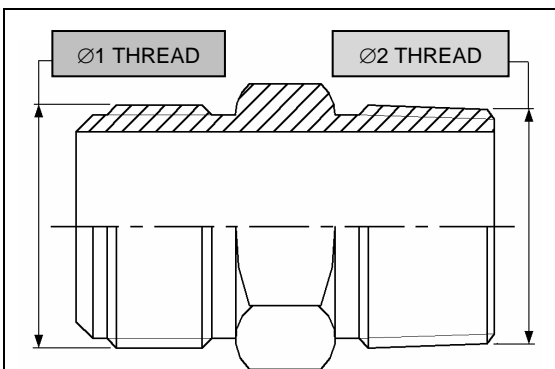
# REFRIGERATION COMPONENTS



FITTING TO BE SCREWED / BRAZED			
Ø1 THREAD	Ø2(mm)	Ø3(mm)	CODE
7/16" (1/4")	7	4.8	40-60158-10
7/16" (1/4")	12	6.5	40-60158-11
7/16" (1/4")	15.87	9.7	40-60158-12
5/8" (3/8")	9.5	7.1	40-60158-00
5/8" (3/8")	12.7	9.52	40-60158-01
5/8" (3/8")	16	7.1	40-60158-02
5/8" (3/8")	16	9.52	40-60158-03
5/8" (3/8")	16	12.8	40-60158-04
3/4" (1/2")	19	12.9	40-60158-15
3/4" (1/2")	18	12.9	40-60158-16
3/4" (1/2")	19	9.52	40-60158-17
3/4" (1/2")	22.2	19.1	40-60158-18
3/4" (1/2")	22.2	10.3	40-60158-19
7/8" (5/8")	22	16.1	40-60158-25
7/8" (5/8")	22	18.3	40-60158-26
7/8" (5/8")	22	19.1	40-60158-27
7/8" (5/8")	23	19	40-60158-28
7/8" (5/8")	23	23	40-60158-29
1'1/16" (3/4")	22	17.5	40-60158-35
1'1/16" (3/4")	27	22.2	40-60158-36
3/4" (1/2")	22.2	16	40-60158-37



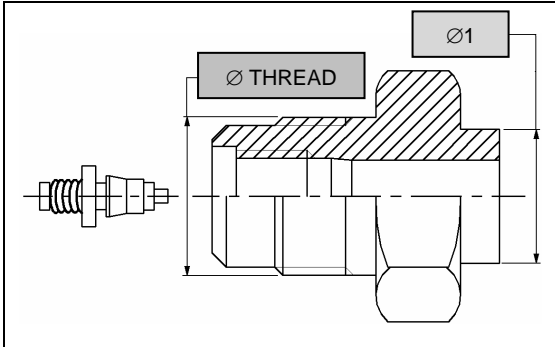
FITTING TO BE SCREWED / BRAZED + SERVICE PORT				
Ø1 THREAD	Ø2	Ø3	Ø4 THREAD	CODE
7/16" (1/4")	7/8"	5/8"	7/16" (1/4")	151581
7/16" (1/4")	7/8"		5/8" (3/8")	151598
7/16" (1/4")	7/8"	5/8"	7/16" (1/4")	151644



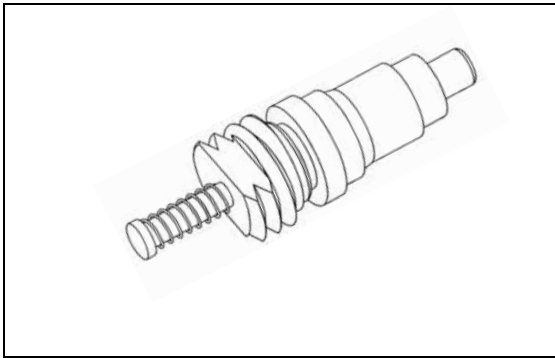
MALE FLARE / PIPE FITTING TO BE SCREWED		
Ø1 Flare	Ø2 NPTF	CODE
7/16" (1/4")	1/4"	150085
7/16" (1/4")	1/8"	150086
5/8" (3/8")	1/4"	150095
5/8" (3/8")	3/8"	150072
1'1/16" (3/4")	3/4"	150966
3/4" (1/2")	3/8"	150087

# Refrigeration Components

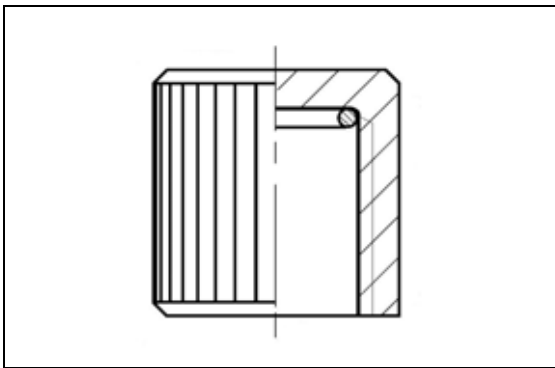
## 15. Valve



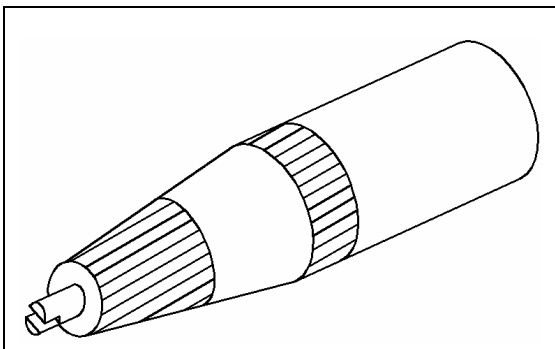
FLARE SAE 45° FITTING +VALVE		
Ø THREAD	Ø1(mm)	CODE
7/16" (1/4")	9.5	40-60159-00
5/8" (3/8")	12.7	7103247
7/16" (1/4")	6.35	40-60159-01



VALVE	
For	CODE
1/4"	40-60087-00
3/8"	40-60087-01



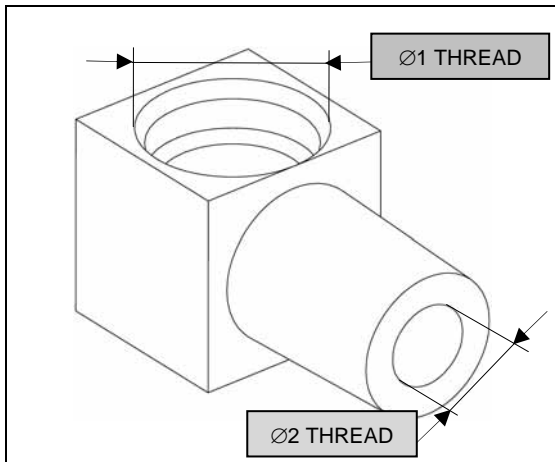
PLUG	
For	CODE
1/4"	40-60004-00



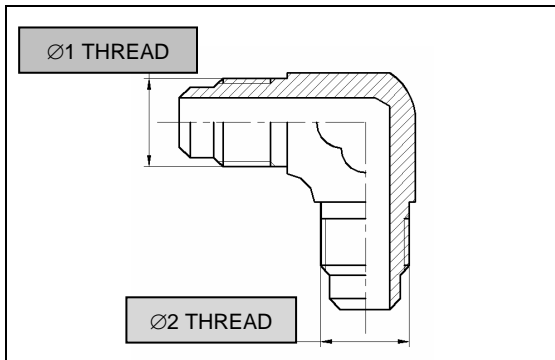
SCREWDRIVE VALVE	
For	CODE
1/4"	07-60028-00
3/8"	07-60028-01

# Refrigeration Components

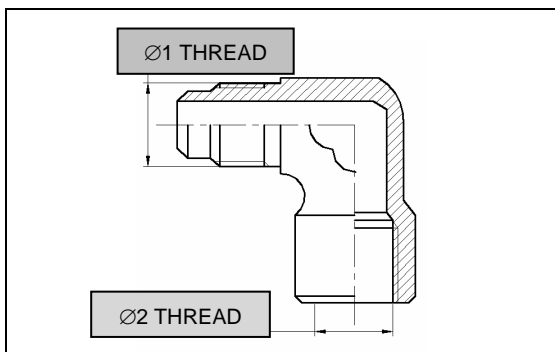
## 16. Elbow



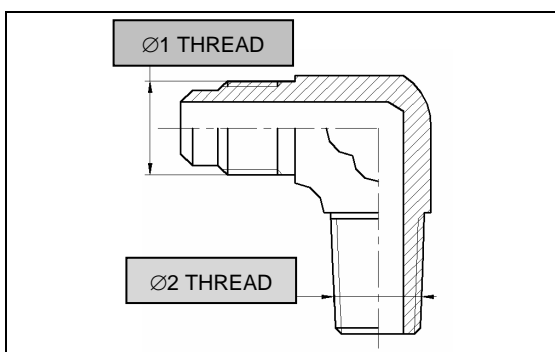
MALE / FEMALE ELBOW 90° NPT TO BE SCREWED			
Ø1 THREAD	Ø2 THREAD	CODE	For
M13	1/4"	40-00524-00	L.P
M15	1/8"	40-00524-01	H.P



MALE / MALE ELBOW 90° TO BE SCREWED		
Ø1 THREAD	Ø2 THREAD	CODE
7/16" (1/4")	7/16" (1/4")	150014
5/8" (3/8")	5/8" (3/8")	150018
3/4" (1/2")	3/4" (1/2")	150021
1'1/16"(3/4")	1'1/16"(3/4")	150213
5/8" (3/8")	7/16" (1/4")	150522

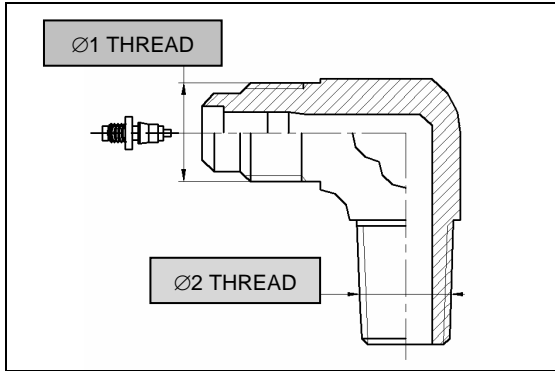


MALE / FEMALE ELBOW 90° TO BE SCREWED		
Ø1 THREAD	Ø2 THREAD	CODE
7/16" (1/4")	7/16" (1/4")	40-00202-01
5/8" (3/8")	5/8" (3/8")	150028
3/4" (1/2")	3/4" (1/2")	150029
1'1/16"(3/4")	1'1/16"(3/4")	150036



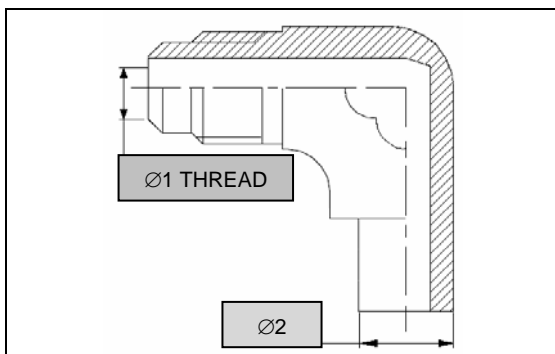
MALE FLARE / PIPE ELBOW 90° TO BE SCREWED		
Ø1 THREAD FLARE	Ø2 THREAD NPTF	CODE
7/16" (1/4")	1/8"	40-60155-00
7/16" (1/4")	1/4"	40-60155-02
5/8" (3/8")	1/4"	151442
7/8" (5/8")	3/4"	40-60155-18

# Refrigeration Components

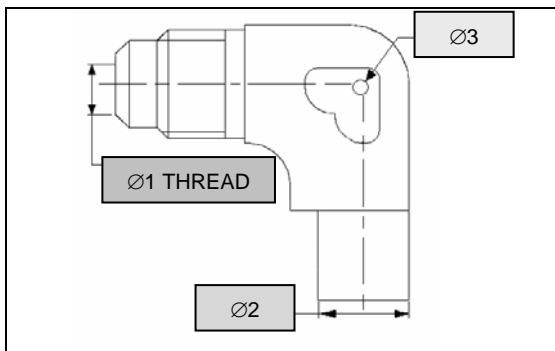


MALE FLARE / PIPE + VALVE ELBOW 90° TO BE SCREWED		
Ø1 THREAD FLARE	Ø2 THREAD NPTF	CODE
7/16" (1/4")	1/4"	40-60062-00

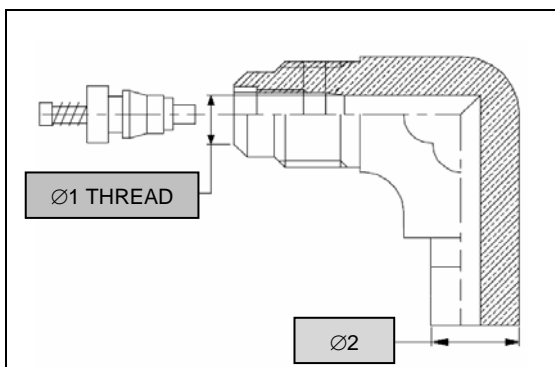
VALVE SEE PAGE : 20



ELBOW 90° TO BE SCREWED / BRAZED		
Ø1 THREAD	Ø2	CODE
7/16" (1/4")	5/8"	7100176
5/8" (3/8")	1/2"	40-60003-00
5/8" (3/8")	5/8"	151744
1'1/16"(3/4")	22mm	152021
5/8" (3/8")	28mm	151096



ELBOW 90° TO BE SCREWED / BRAZED + <b>SERVICE PORT</b>			
Ø1 THREAD	Ø2	Ø3	CODE
5/8" (3/8")	5/8"	1/4"	151955
3/4" (1/2")	7/8"	7mm	151004
3/4" (1/2")	7/8"	1/4"	7101468



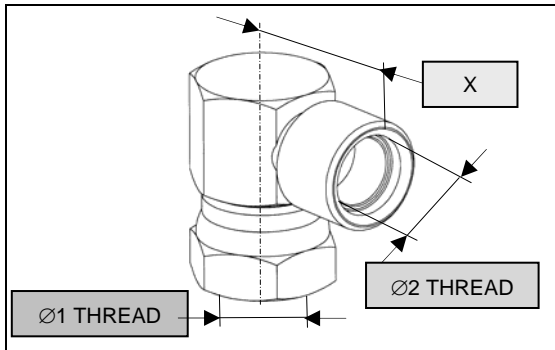
ELBOW 90° TO BE SCREWED / BRAZED + <b>VALVE</b>		
Ø1 THREAD	Ø2	CODE
7/16" (1/4")	1/4"	40-60006-00

VALVE SEE PAGE : 20

# Refrigeration Components

## 17. O-Ring Pilot 90° fitting to be screwed

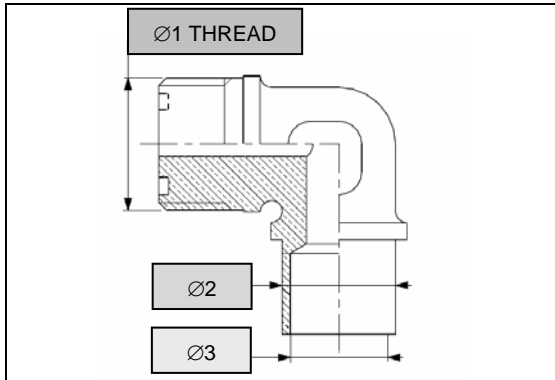
THE FITTING IS DELIVERED WITH ITS O-RING



FITTING FEMALE SCREW O-RING PILOT 90° SHORT			
Ø1 THREAD	Ø2 THREAD	Cote X (mm)	CODE
3/4"-16-UNF	3/4"-16-UNF	28	40-60301-00
7/8"-14-UNF	7/8"-14-UNF	34.5	40-60301-01

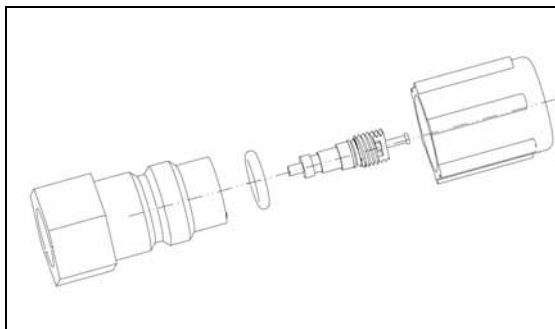
## 18. O.R.F.S 90° Elbow to be screwed / brazed

THE ELBOW IS NOT DELIVERED WITH ITS O-RING SEE PAGE : 14

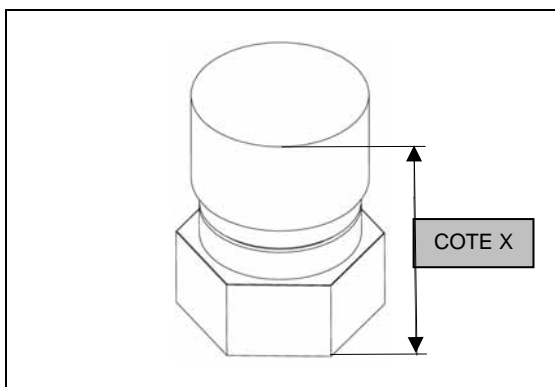


O.R.F.S ELBOW 90° TO BE SCREWED / BRAZED			
Ø1 THREAD	Ø2	Ø3	CODE
9/16" (1/4")	1/4"		40-60045-01
11/16" (3/8")	1/2"		40-60045-00
1"(5/8")	5/8"		40-60045-03
1"(5/8")		5/8"	40-60045-02

## 19. Adapter



ADAPTER ASSY, FEMALE QUICK CONNECT 1/4" FLARE 7/16" SAE ( LOW SIDE )	
CODE	
40-01184-00	

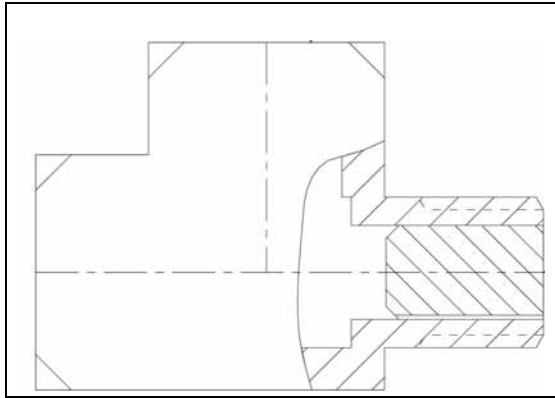


ADAPTER ASSY, FEMALE QUICK CONNECT 1/4" FLARE 7/16" SAE ( HIGH SIDE )	
Cote X (mm)	CODE
40	40-60042-00
22.35	40-60042-01

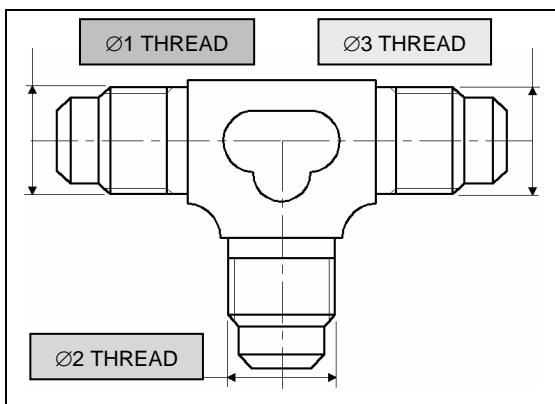


# Refrigeration Components

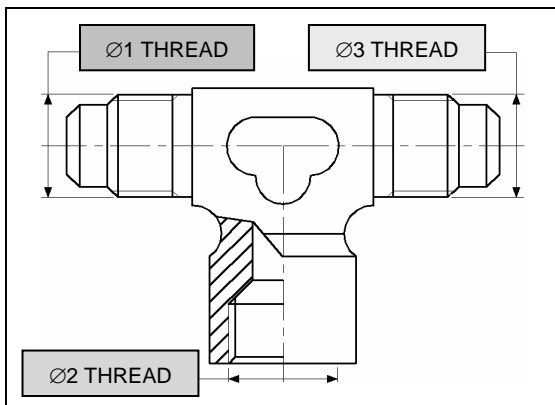
## 20. Tee



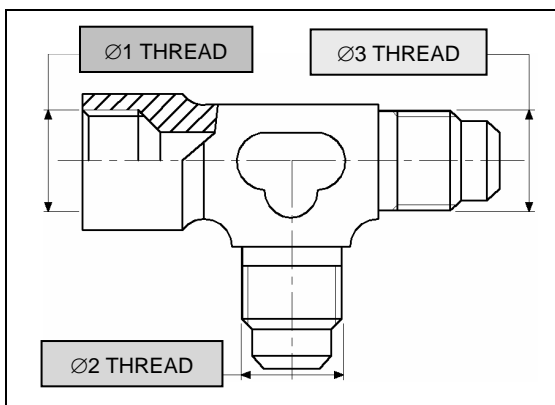
SNUBBER TEE, 1/8" NPT X 1/8" NPT
CODE
79-00965-00



MALE TEE TO BE SCREWED			
Ø1 THREAD	Ø2 THREAD	Ø3 THREAD	CODE
7/16" (1/4")	7/16" (1/4")	7/16" (1/4")	150137
7/16" (1/4")	3/4" (1/2")	7/16" (1/4")	150151
5/8" (3/8")	5/8" (3/8")	5/8" (3/8")	150138
3/4" (1/2")	3/4" (1/2")	3/4" (1/2")	150139
3/4" (1/2")	7/8" (5/8")	3/4" (1/2")	150155
7/8" (5/8")	7/8" (5/8")	7/8" (5/8")	150140
7/8" (5/8")	3/4" (1/2")	7/8" (5/8")	150159
1 1/16" (3/4")	1 1/16" (3/4")	1 1/16" (3/4")	150141

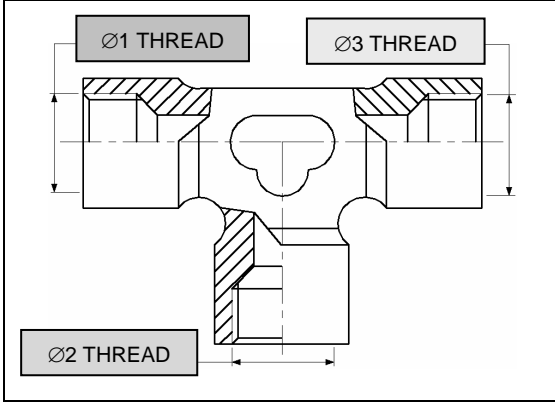


MALE / FEMALE / MALE TEE TO BE SCREWED			
Ø1 THREAD	Ø2 THREAD	Ø3 THREAD	CODE
7/16" (1/4")	7/16" (1/4")	7/16" (1/4")	150143
3/4" (1/2")	5/8" (3/8")	3/4" (1/2")	151748
3/4" (1/2")	3/4" (1/2")	5/8" (3/8")	151619
3/4" (1/2")	3/4" (1/2")	3/4" (1/2")	150429

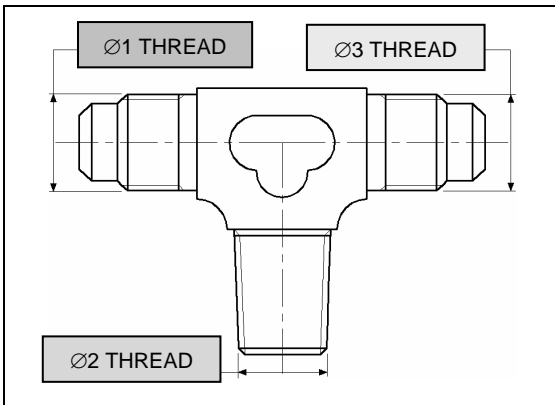


FEMALE / MALE / FEMALE TEE TO BE SCREWED			
Ø1 THREAD	Ø2 THREAD	Ø3 THREAD	CODE
5/8" (3/8")	7/16" (1/4")	5/8" (3/8")	150730
5/8" (3/8")	5/8" (3/8")	5/8" (3/8")	151326
3/4" (1/2")	5/8" (3/8")	3/4" (1/2")	150432
7/8" (5/8")	5/8" (3/8")	7/8" (5/8")	150447

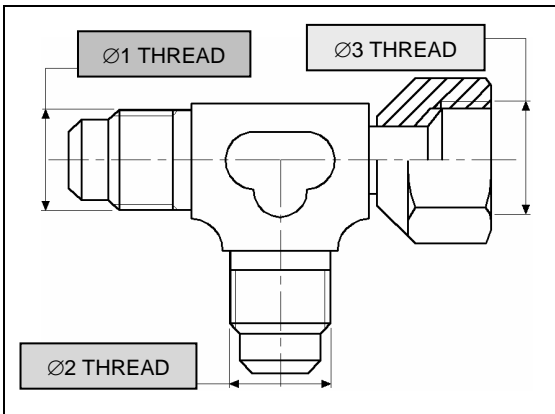
# Refrigeration Components



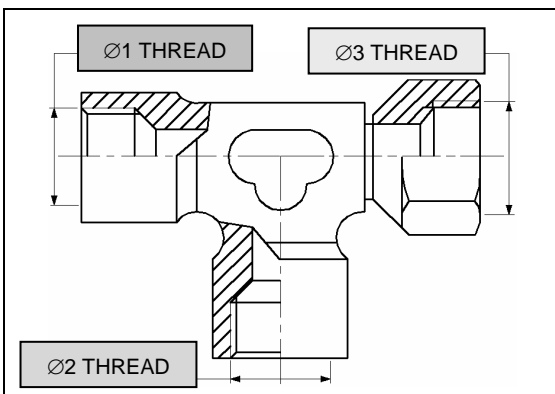
FEMALE TEE TO BE SCREWED			
Ø1 THREAD	Ø2 THREAD	Ø3 THREAD	CODE
5/8" (3/8")	5/8" (3/8")	5/8" (3/8")	151620



MALE (FLARE / PIPE / FLARE) TEE TO BE SCREWED			
Ø1 THREAD	Ø2 THREAD	Ø3 THREAD	CODE
7/16" (1/4")	1/8"	7/16" (1/4")	150149
7/16" (1/4")	1/4"	7/16" (1/4")	150148
5/8" (3/8")	3/8"	5/8" (3/8")	150145
3/4" (1/2")	1/4"	3/4" (1/2")	150146

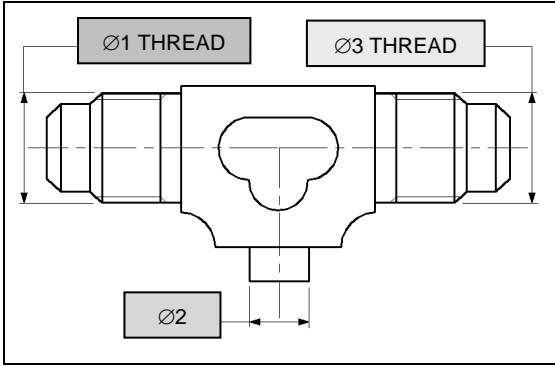


MALE / MALE / FEMALE WINDING TEE TO BE SCREWED			
Ø1 THREAD	Ø2 THREAD	Ø3 THREAD	CODE
3/4" (1/2")	7/16" (1/4")	3/4" (1/2")	151953
3/4" (1/2")	5/8" (3/8")	3/4" (1/2")	151742
7/8" (5/8")	5/8" (3/8")	7/8" (5/8")	151985
7/8" (5/8")	3/4" (1/2")	7/8" (5/8")	151986
1'1/16" (3/4")	7/16" (1/4")	7/8" (5/8")	151774

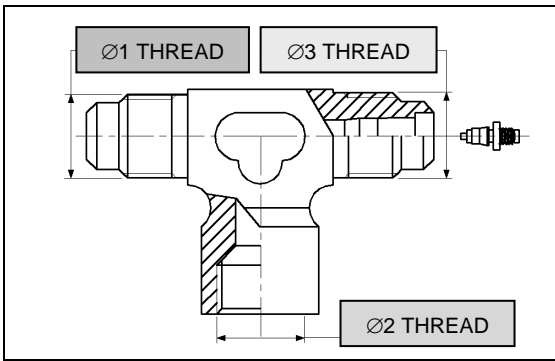


FEMALE / FEMALE WINDING FEMALE TEE TO BE SCREWED			
Ø1 THREAD	Ø2 THREAD	Ø3 THREAD	CODE
5/8" (3/8")	5/8" (3/8")	5/8" (3/8")	151741

# Refrigeration Components

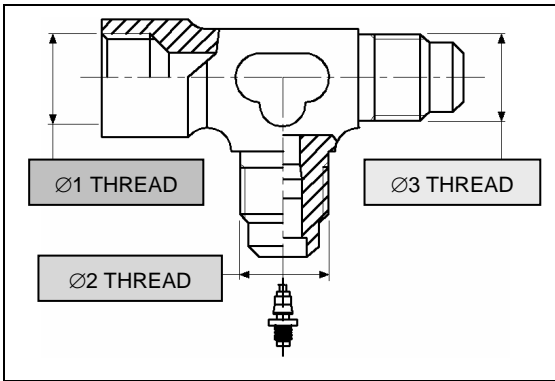


MALE TEE TO BE SCREWED / BRAZED / SCREWED			
Ø1 THREAD	Ø2	Ø3 THREAD	CODE
7/16" (1/4")	7mm	7/16" (1/4")	151433



MALE / FEMALE / MALE + VALVE TEE TO BE SCREWED			
Ø1 THREAD	Ø2 THREAD	Ø3 THREAD	CODE
7/16" (1/4")	7/16" (1/4")	7/16" (1/4")	7104342

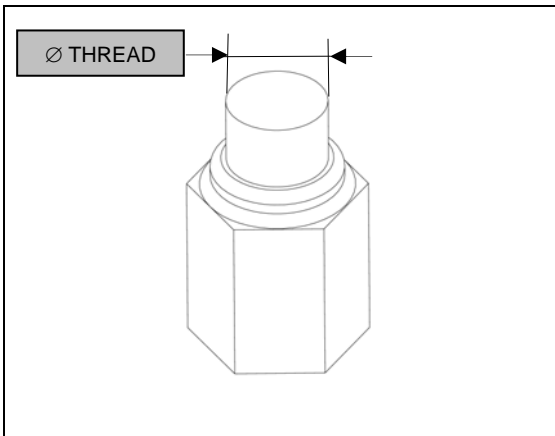
VALVE SEE PAGE : 20



FEMALE / MALE + VALVE / MALE TEE TO BE SCREWED			
Ø1 THREAD	Ø2 THREAD	Ø3 THREAD	CODE
5/8" (3/8")	7/16" (1/4")	5/8" (3/8")	151361

VALVE SEE PAGE : 20

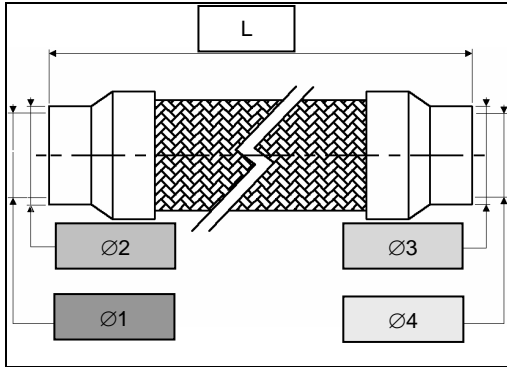
## 21. Fitting



FEMALE / MALE, STRAIGHT WITH O-RING		
Ø THREAD	Ø	CODE
9/16"-18	1/4"	40-00528-00
7/16"-20	1/4"	40-60528-02

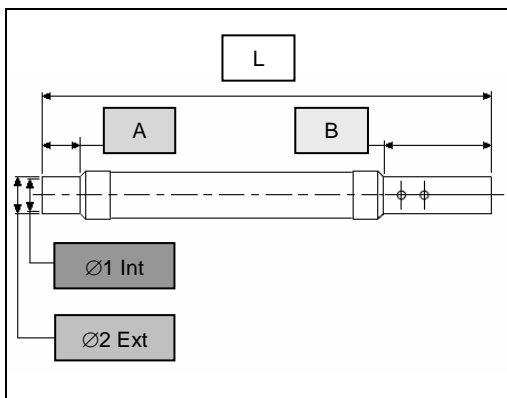
# Refrigeration Components

## 22. Vibrasorber



VIBRASORBER					
Ø1 (mm)	Ø2 (mm)	Ø3 (mm)	Ø4 (mm)	L (mm)	CODE
16.2	19.05	19.05	16.2	220	73-60013-02
25.55	28.55	34.9	31.9	275	73-60042-00
19.15	22.2	22.2	19.15	280	73-60035-00
19.15	22.2	22.2	19.15	320	73-60035-03
16	19.05	22.2	19.15	330	73-60012-00
28.7	31.75	31.75	28.7	330	15164301
16.1	19.05	19.05	16.1	340	73-60035-01
16.1	19.05	19.05	16.1	340	73-60035-02
19.15	22.2	22.2	19.15	360	73-60010-00
25.55	28.55	28.55	25.55	375	7102273
16.2	19.05	19.05	16.2	390	73-60013-00
16.2	19.05	19.05	16.2	420	73-60013-03
19.15	22.2	22.2	19.15	440	73-60087-00
16.2	19.05	19.05	16.2	480	73-60013-01
19.15	22.2	22.2	19.15	525	73-60010-03
19.15	22.2	22.2	19.15	525	73-60010-04
19.15	22.2	22.2	19.15	525	73-60010-05
25.55	28.55	28.55	25.55	555	73-60076-00
25.55	28.55	28.55	25.55	555	73-60045-00
-	28.72	28.55	25.55	555	73-60090-00
19.15	22.2	22.2	19.15	590	73-60010-01
28.7	31.75	25.55	25.55	670	151826

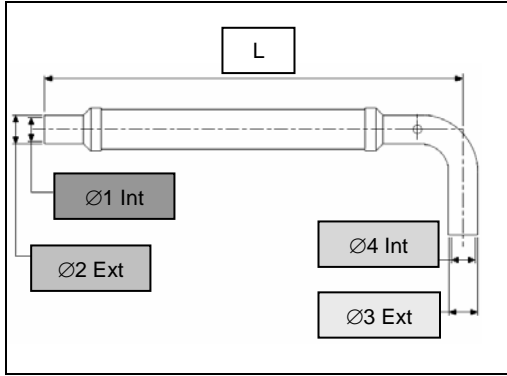
**SERVICE PRESSURE IN PSIG = 426 PSIG = 29 BARS MAX**



VIBRASORBER					
Ø1 (mm)	Ø2 (mm)	A (mm)	B (mm)	L (mm)	CODE
25.55	28.55	30	30	445	73-60024-00
25.55	28.55	30	30	465	73-60024-07
25.55	28.55	85	30	495	73-60024-05
25.55	28.55	85	85	495	73-60024-08
25.55	28.55	30	30	560	73-60024-01
25.55	28.55	85	85	560	73-60024-06
25.55	28.55	40	40	615	73-60024-02
25.55	28.55	85	30	670	73-60024-03

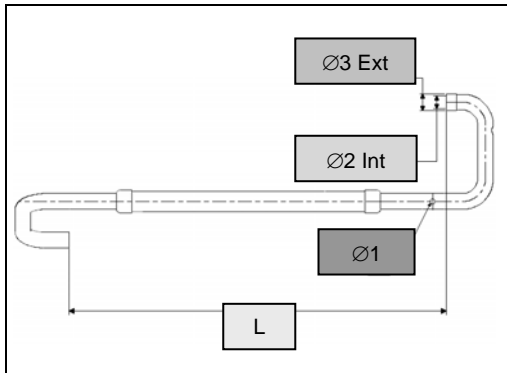
**SERVICE PRESSURE IN PSIG = 426 PSIG = 29 BARS MAX**

# Refrigeration Components



VIBRASORBER					
Ø1 (mm)	Ø2 (mm)	Ø3 (mm)	Ø4 (mm)	L (mm)	CODE
19.15	22.2	22.2	19.15	412.5	73-60083-00

**SERVICE PRESSURE IN PSIG = 426 PSIG = 29 BARS MAX**

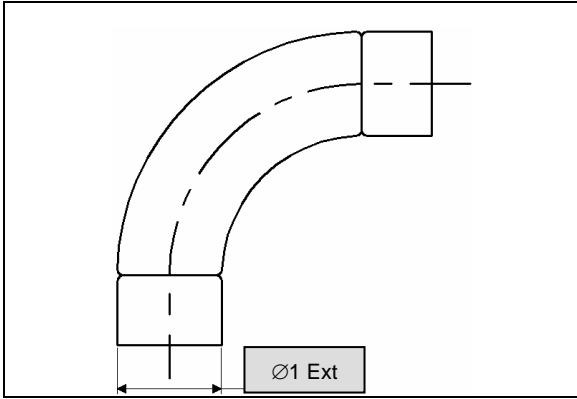


VIBRASORBER				
Ø1 (mm)	Ø2 (mm)	Ø3 (mm)	L (mm)	CODE
Without hole Ø 7	22.4	24.4	528	73-60089-00
With hole Ø 7	22.4	24.4	528	73-60089-01

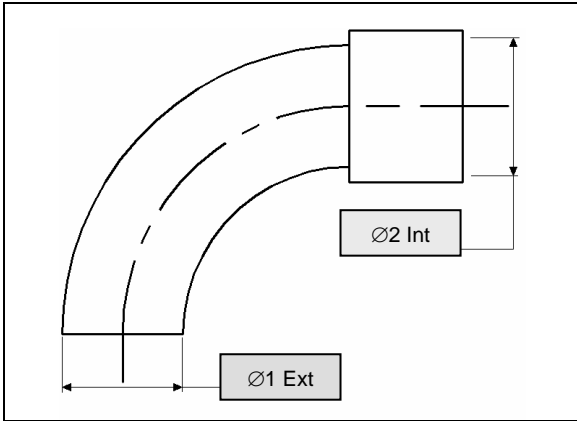
**SERVICE PRESSURE IN PSIG = 426 PSIG = 29 BARS MAX**

# Refrigeration Components

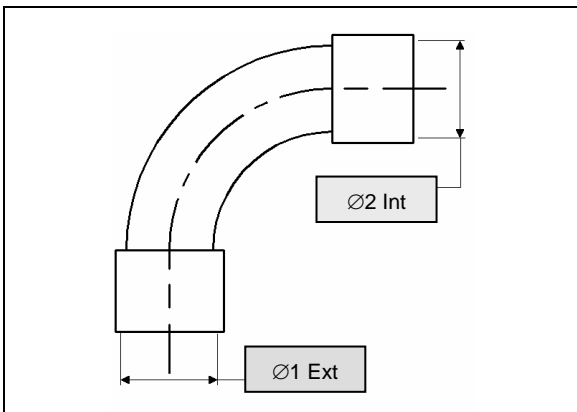
## 23. The Coppers



LARGE RADIUS <b>MALE / MALE</b> ELBOW 90° TO BE BRAZED	
Ø1	CODE
3/8"	150168
3/4"	7103964
7/8"	7103980
1'1/8"	40-00073-09

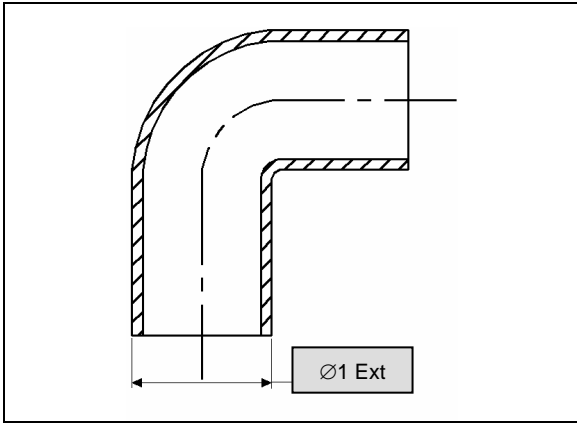


LARGE RADIUS <b>MALE / FEMALE</b> ELBOW 90° TO BE BRAZED		
Ø1	Ø2	CODE
1/2"	1/2"	40-00072-18
7/8"	7/8"	40-00072-07
1'1/8"	1'1/8"	40-00072-20
1'3/8"	1'5/8"	151646
1'5/8"	1'5/8"	40-00072-13
1'3/8"	1'3/8"	40-00072-21

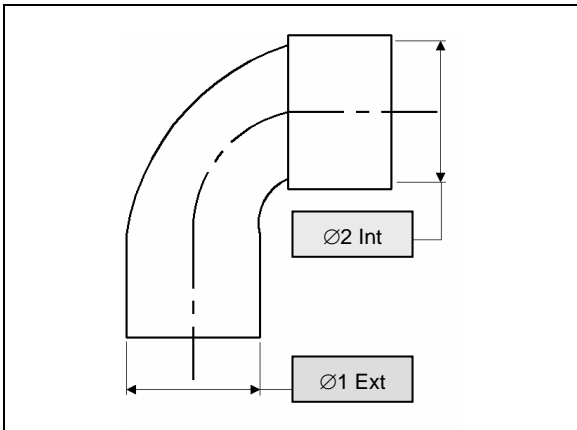


LARGE RADIUS <b>FEMALE / FEMALE</b> ELBOW 90° TO BE BRAZED		
Ø1	Ø2	CODE
1/4"	1/4"	40-00071-41
1/2"	1/2"	40-00071-38
5/8"	1/2"	40-00071-60
5/8"	5/8"	40-00071-44
3/4"	1/2"	40-00071-25
3/4"	5/8"	40-00071-62
3/4"	3/4"	40-00071-45
7/8"	1/2"	40-00071-65
7/8"	3/4"	40-00071-63
7/8"	7/8"	40-00071-39
1'	1'	40-00071-54
7/8"	7/8"	40-00071-66
1'1/8"	1'1/8"	40-00071-46
1'3/8"	1'3/8"	40-00071-19
1'5/8"	1'1/8"	40-00071-36
1'5/8"	1'5/8"	151718

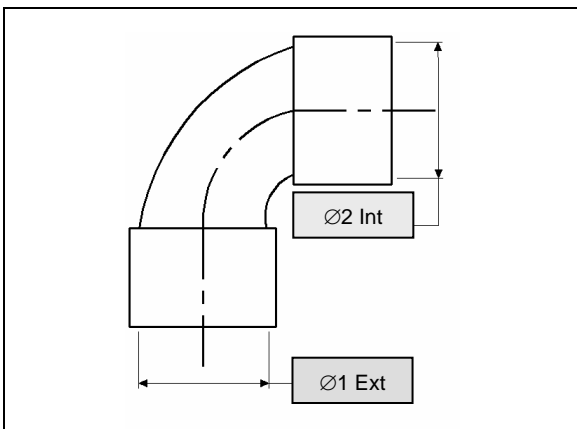
# Refrigeration Components



SMALL RADIUS <b>MALE / MALE</b> ELBOW 90° TO BE BRAZED		
Ø1	CODE	
1'1/8"	151861	

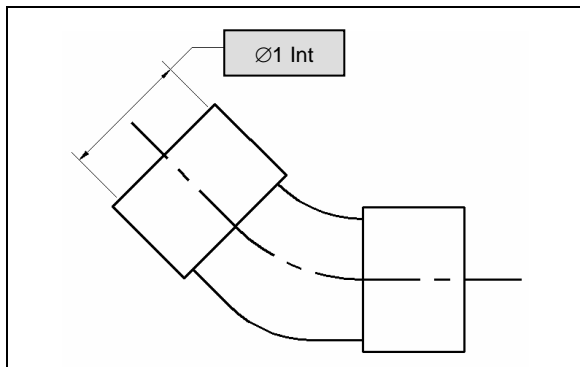


SMALL RADIUS <b>MALE / FEMALE</b> ELBOW 90° TO BE BRAZED		
Ø1	Ø2	CODE
1'1/8"	1'1/8"	151714

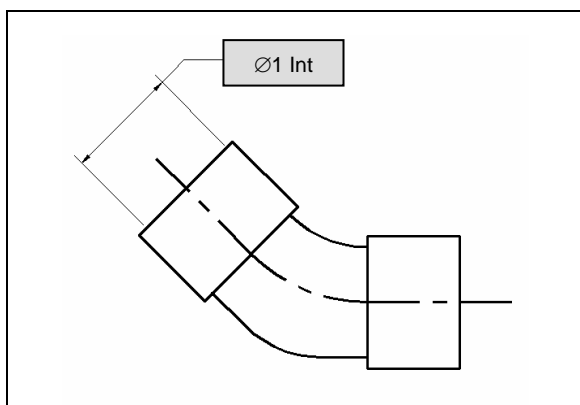


SMALL RADIUS <b>FEMALE / FEMALE</b> ELBOW 90° TO BE BRAZED		
Ø1	Ø2	CODE
3/8"	3/8"	40-00071-43
1/2"	1/2"	40-00071-38
5/8"	3/8"	40-00071-26
5/8"	5/8"	40-00071-05
3/4"	3/4"	40-00071-06
1'1/8"	1'1/8"	40-00071-09
1'3/8"	1'3/8"	40-00071-11
1'5/8"	1'5/8"	40-00071-13

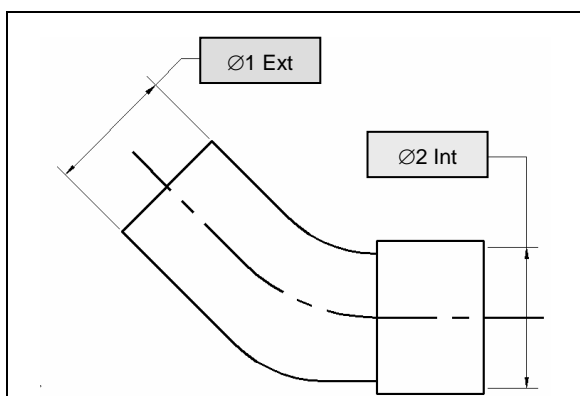
# Refrigeration Components



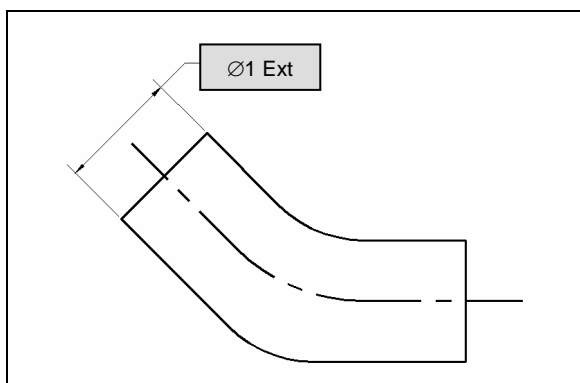
SMALL RADIUS FEMALE / FEMALE ELBOW 135° TO BE BRAZED	
Ø1	CODE
1'5/8"	151900



FEMALE / FEMALE ELBOW 135° TO BE BRAZED	
Ø1	CODE
5/8"	40-00074-05
3/4"	40-00074-06
7/8"	40-00074-07
1'1/8"	40-00074-09
1'1/4"	56-60163-00
1'3/8"	40-00074-11
1'5/8"	40-00074-13



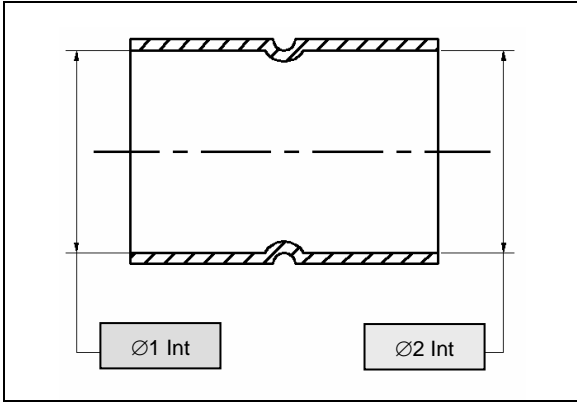
MALE / FEMALE ELBOW 135° TO BE BRAZED		
Ø1	Ø2	CODE
7/8"	7/8"	40-00075-07
1'1/8"	1'1/8"	7101685
1'3/8"	1'3/8"	7103004
1'5/8"	1'5/8"	40-60110-00



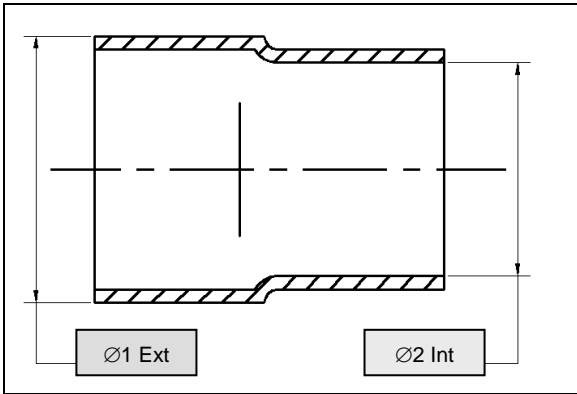
MALE / MALE ELBOW 135° TO BE BRAZED	
Ø1	CODE
3/4"	40-00076-06
1'1/8"	40-60111-00



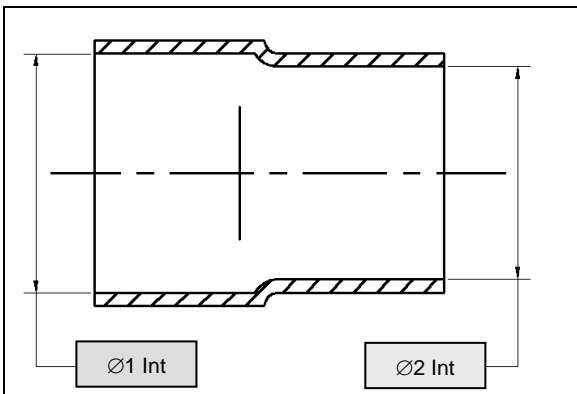
# Refrigeration Components



FEMALE SLEEVE TO BE BRAZED		
Ø1	Ø2	CODE
1/4"	1/4"	40-00091-02
3/8"	3/8"	40-00091-03
1/2"	1/2"	40-00091-04
5/8"	5/8"	40-00091-05
3/4"	3/4"	40-00091-06
7/8"	7/8"	40-00091-07
1'	1'	40-00091-08
1'1/8"	1'1/8"	40-00091-09
1'3/8"	1'3/8"	40-00091-11
1'5/8"	1'5/8"	40-00091-13

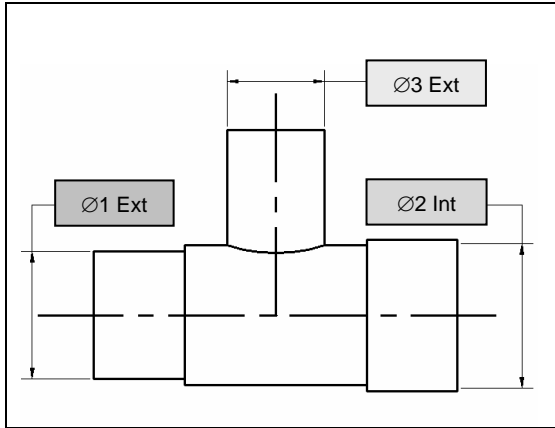


MALE / FEMALE REDUCING SLEEVE TO BE BRAZED		
Ø1	Ø2	CODE
1/2"	3/8"	40-00090-04
5/8"	3/8"	40-00090-11
7/8"	3/8"	7104019
7/8"	1/2"	7100323
7/8"	3/4"	40-60074-00
1'1/8"	7/8"	40-00090-14
1'5/8"	1'1/8"	7103003

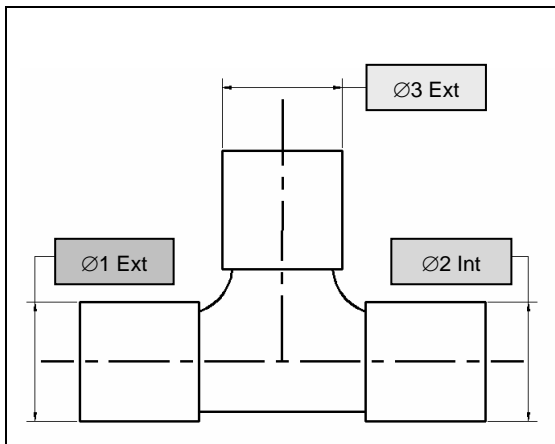


FEMALE / FEMALE REDUCING SLEEVE TO BE BRAZED		
Ø1	Ø2	CODE
3/8"	1/4"	40-00130-04
1/2"	1/4"	40-00130-06
1/2"	3/8"	150119
5/8"	3/8"	40-00130-08
5/8"	1/2"	40-00130-07
3/4"	1/2"	150132
3/4"	5/8"	40-00130-10
7/8"	1/2"	40-00130-15
7/8"	5/8"	40-00130-14
7/8"	3/4"	40-00130-13
1'1/8"	1/2"	40-00130-19
1'1/8"	3/4"	40-00130-26
1'1/8"	7/8"	40-00130-17
1'1/8"	1'	40-00130-27
1'3/8"	3/4"	40-00130-28
1'3/8"	7/8"	40-00130-21
1'3/8"	1'1/8"	40-00130-20
1'5/8"	1'1/8"	40-00130-25
1'5/8"	1'3/8"	40-00130-24

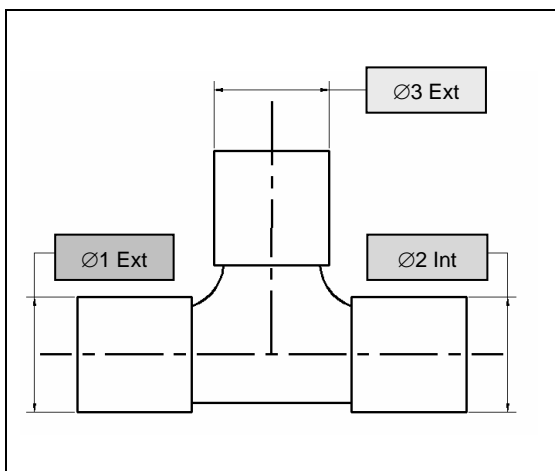
# Refrigeration Components



MALE / FEMALE / MALE TEE TO BE BRAZED			
Ø1	Ø2	Ø3	CODE
1'1/8"	1'1/8"	1'3/4"	151959

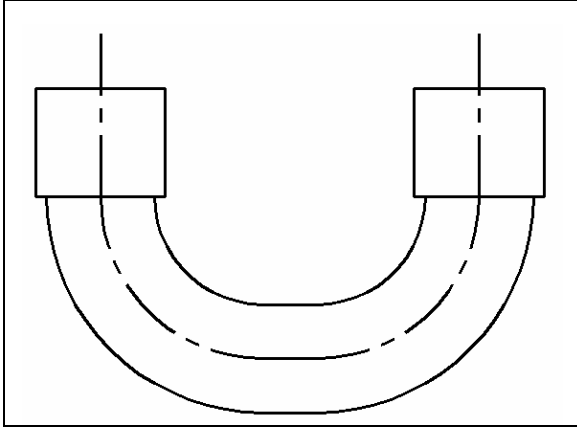


FEMALE TEE TO BE BRAZED			
Ø1	Ø2	Ø3	CODE
3/8"	3/8"	3/8"	40-00168-03
1/2"	1/2"	1/2"	40-00168-04
5/8"	5/8"	5/8"	40-00168-05
3/4"	3/4"	3/4"	40-00168-06
7/8"	7/8"	7/8"	40-00168-07
1'1/8"	1'1/8"	1'1/8"	40-00168-09

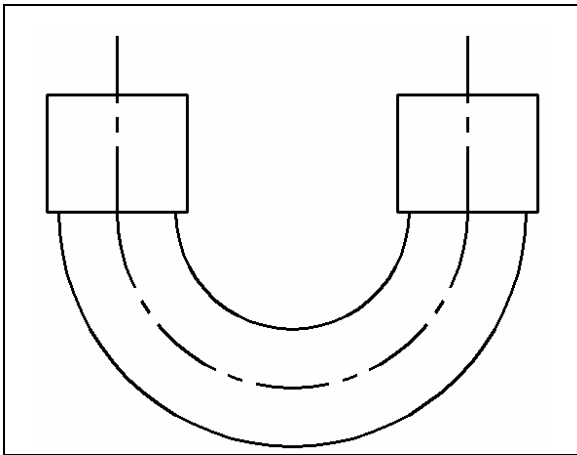


FEMALE REDUCING TEE TO BE BRAZED			
Ø1	Ø2	Ø3	CODE
3/8"	3/8"	1/4"	40-00169-39
3/8"	3/8"	1/2"	40-00169-47
1/2"	1/2"	1/4"	150668
1/2"	1/2"	3/8"	150200
1/2"	3/8"	1/2"	40-00169-38
1/2"	1/2"	5/8"	40-00169-24
5/8"	5/8"	3/8"	150203
5/8"	5/8"	1/2"	150199
5/8"	3/8"	5/8"	40-00169-18
3/4"	3/4"	1/2"	40-00169-01
7/8"	7/8"	1/2"	40-00169-08
7/8"	7/8"	1'1/8"	40-00169-21
1'1/8"	1'1/8"	3/4"	40-00169-49
1'3/8"	1'1/8"	7/8"	40-60106-00
1'1/8"	1'3/8"	1'3/8"	40-00169-51
1'5/8"	1'5/8"	1'3/8"	40-00169-53
1'3/8"	1'3/8"	1'1/8"	40-60040-00

# Refrigeration Components

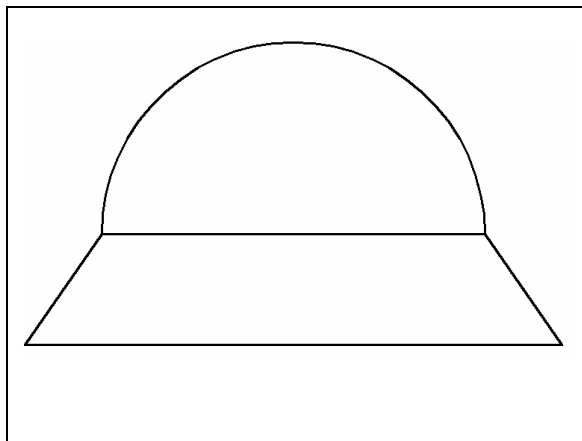


CROSS TO BE BRAZED 180°	
Ø	CODE
1/2"	150007
5/8"	150008
3/4"	150009
7/8"	40-00298-03
1'1/8"	150012
1'3/8"	150013
1'5/8"	151649

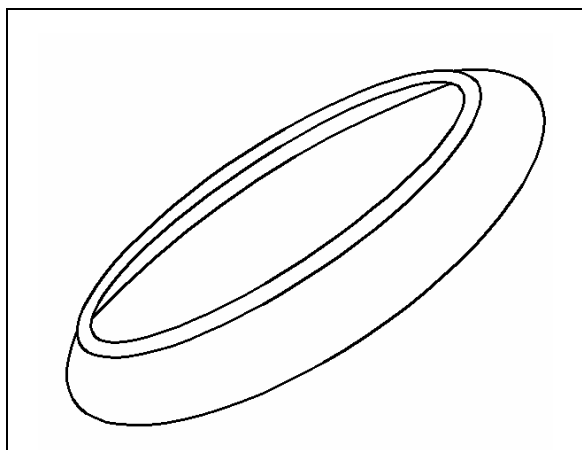


SMALL RADUIS 180° CROSS TO BE BRAZED	
Ø	CODE
5/8"	151906

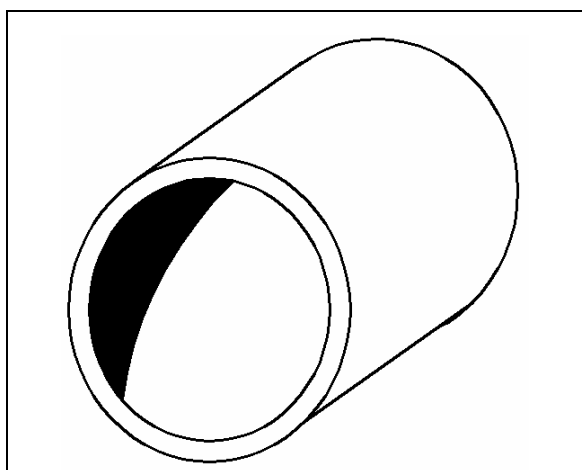
# Refrigeration Components



OBSTURATING CAP	
Ø	CODE
1/4"	150366
3/8"	150365
1/2"	150364
5/8"	150363
3/4"	150411
7/8"	150362



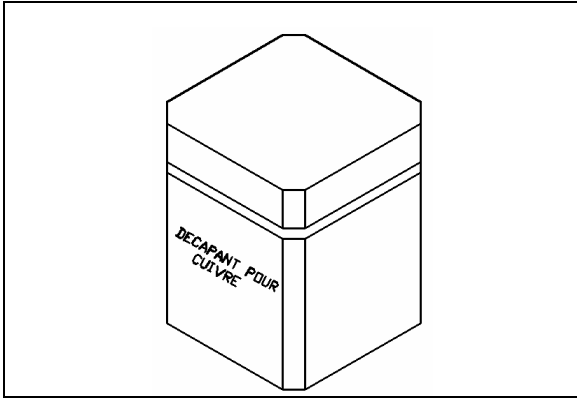
SPACER GASKET	
Ø	CODE
1/4"	150371
3/8"	150370
1/2"	150369
5/8"	150368
3/4"	150410
7/8"	151443



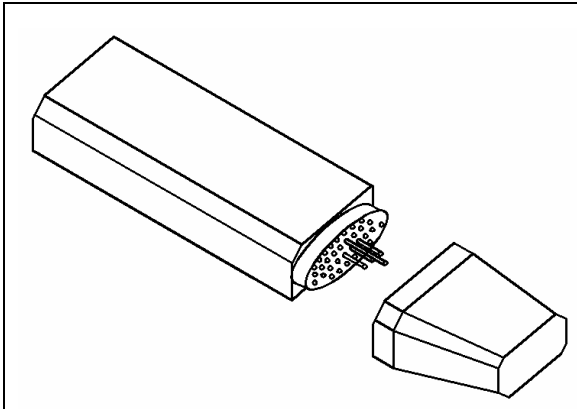
CAP TO BE BRAZED	
Ø	CODE
1/4"	40-60038-00
3/8"	40-60038-01
1/2"	40-60038-02
3/4"	40-60038-03
7/8"	40-60038-04
1 1/8"	40-60038-05
1 3/8"	40-60038-06

# Refrigeration Components

## 24. Flux Additament for Copper and Silver Soldering



FLUX ADDITAMENT FOR COPPER
CODE
240010



SILVER SOLDERING
CODE
240018



**24 HOUR**



**ASSISTANCE**

500 Carrier service stations  
in Europe, Russia,  
Middle East and Africa



**Carrier**

A United Technologies Company

Carrier Transicold europe S.C.S.  
L'Européen Bâtiment D  
4, rue Joseph Monier  
92500 Rueil-Malmaison  
Phone: +33 (0)1 34 43 48 00  
Fax: +33 (0)1 34 43 48 48  
[www.carrier-transicold-europe.com](http://www.carrier-transicold-europe.com)