



TRANSICOLD

SERVICE PARTS LIST CONTAINER REFRIGERATION UNIT

MODELS
69NT40-449
69NT40-459



1.	Quick List - Clamps, Filter-drier, Fuse, Ty-raps, And Wire Terminals .	1
2.	Tools	1
3.	refrigeration Unit Assembly	2
3.1	refrigeration Unit - Front	2
3.1	refrigeration Unit - Front	3
3.2	control Box Door	4
3.2	control Box Door	5
3.3	control Box Door - 69nt40-449-15	6
3.3	control Box Door - 69nt40-449-15	7
3.4	control Box	8
3.4	control Box	9
3.5	control Box - High Voltage Shield Removed	10
3.5	control Box - High Voltage Shield Removed	11
3.6	control Box - Microprocessor Controller Box	12
3.6	control Box - Microprocessor Controller Box	13
3.7	Control Box - Microprocessor Controller Box - Cover Removed ..	14
3.7	Control Box - Microprocessor Controller Box - Cover Removed ..	15
3.8	condenser Fan Motor And Coil Section	16
3.8	condenser Fan Motor And Coil Section	17
3.9	receiver And Tubing Section	18
3.9	receiver And Tubing Section	19
3.10	water-cooled Condenser	20
3.10	water-cooled Condenser	21
3.11	evaporator Fan Motor And Access Panel Section	22
3.11	evaporator Fan Motor And Access Panel Section	23
3.12	evaporator Coil Section - Rear Panels Removed	24
3.12	evaporator Coil Section - Rear Panels Removed	25
3.13	evaporator Coil Section - Rear Panels Attached	26
3.13	Evaporator Coil Section - Rear Panels Attached (Continued)	27
3.13	Evaporator Coil Section - Rear Panels Attached (Continued)	28
3.14	Recording Thermometer (Partlow) - Prior To Serial Number 90237090 ..	29
3.15	Recording Thermometer (Partlow) - Starting With Serial Number 90237090 ..	30
3.15	Recording Thermometer (Partlow) - Starting With Serial Number 90237090 ..	31
3.16	thermostatic Expansion Valve - Alco	32
3.17	suction Solenoid Valve	33
3.18	modulating Solenoid Valve	34
3.19	nitrogen Feed	35
3.20	compressor Mounting And Gauges	36
3.20	compressor Mounting And Gauges	37
3.21	voltage Options	38
3.21	voltage Options	39
3.22	fresh Air Makeup Vent	40
3.22	fresh Air Makeup Vent	41
3.23	labels And Decals	42
3.23	Labels And Decals	43
4.	Accessories	44
4.1	Interrogator And Portable/Personal Computer Connections	44
4.1	Interrogator And Portable/Personal Computer Connections	45
4.2	Interrogator And Husky 16/80 Computer Connections	46

4.2	Interrogator And Husky 16/80 Computer Connections	47
4.3	Interrogator And Husky Hunter Computer Connections	48
4.3	Interrogator And Husky Hunter Computer Connections	49
4.4	Battery And Charger Module	50
4.5	Usda "c" Size Battery Box	51
4.6	Communications Interface Module (Rmu) Option	52
4.6	Communications Interface Module (Rmu) Option	53
5.	compressor - Motor Assembly	54
5.1	Service Replacement Compressor	55
5.2	Terminal Mounting And Junction Box Group	55
5.3	Service Valve Group	55
5.4	Compressor - Motor Body Group	55
5.4	Compressor - Motor Body Group (Continued)	56
5.5	Pump End Group	56
5.6	Crankshaft, Rod And Piston Group	56
5.7	Valve Plate Group	56
5.8	Gasket Set	57

INTRODUCTION

This parts list identifies service replacement parts for the Carrier Transicold container Models listed in the Model Chart below.

ORDERING INSTRUCTIONS

All orders and inquiries for parts must include: Model, Unit Serial Number, part no., description of part as shown on list and quantity required. Address all correspondence for parts to the following address:

CARRIER TRANSICOLD DIVISION
Replacement Components Group, TR-20
P.O. Box 4805, Syracuse, New York 13221
or
FAX to: (315) 432-3778

LETTER DESIGNATIONS

The following letter designations are used to classify parts throughout this list:

- A/R *As Required.*
- NLO *No Longer Offered.*
- NS *Not Shown in the illustration.*
- NSA *Non-Stock Assembly* – order components listed under the assembly.
- NSI *Non-Stock Item* – may be available on special order.
- NSS *Not Sold Separately* – order next higher assembly or kit.
- P-- *Suffix P--* added to part number means part is available in packaged quantity only. Example: P/N34-00373-01P10 is a package of 10 P/N 34-00373-01. Use part number and P-- suffix when ordering.
- PL *Purchase Locally.*
- SST *Stainless Steel* – 300 Series unless otherwise specified.
- SV *Suffix SV* – added to part number designates service replacement part.

Model Chart

MODELS	Hinged Rear Panels	Two Speed Evaporator Fan Motors	Water-Cooled Condenser	Receiver	Power (Auto) Transformer	Dual Voltage Compressor	Humidistat	USDA Cold Treatment	Partlow Temperature Recorder	Communications Interface Module (RMU)
69NT40-449-7	-	X	-	X	X	-	B	-	X	E
69NT40-449-15	X	-	-	X	-	X	B	C	X	E
69NT40-449-17	-	-	-	X	-	X	B	-	X	E
69NT40-449-18	-	X	-	X	-	-	X	X	-	D
69NT40-449-21	-	-	-	X	-	X	B	C	X	E
69NT40-449-22	-	-	-	X	-	X	B	C	X	E
69NT40-449-23	-	-	-	X	-	X	B	C	X	E
69NT40-449-27	-	X	-	X	-	-	X	X	-	X
69NT40-449-28	-	X	-	X	X	-	B	C	X	E
69NT40-449-29	-	X	X	-	-	-	X	X	-	X
69NT40-459-4	-	X	X	-	-	-	B	-	-	X

A – Provision for water-cooled condenser. If water-cooled condenser is added, refrigerant charge will change.

B – The microprocessor includes code 32 for dehumidification, even though the units do not have a humidistat.

C – Provision for USDA Cold Treatment.

D – Provision for Communications Interface Module (RMU) option w/ connectors

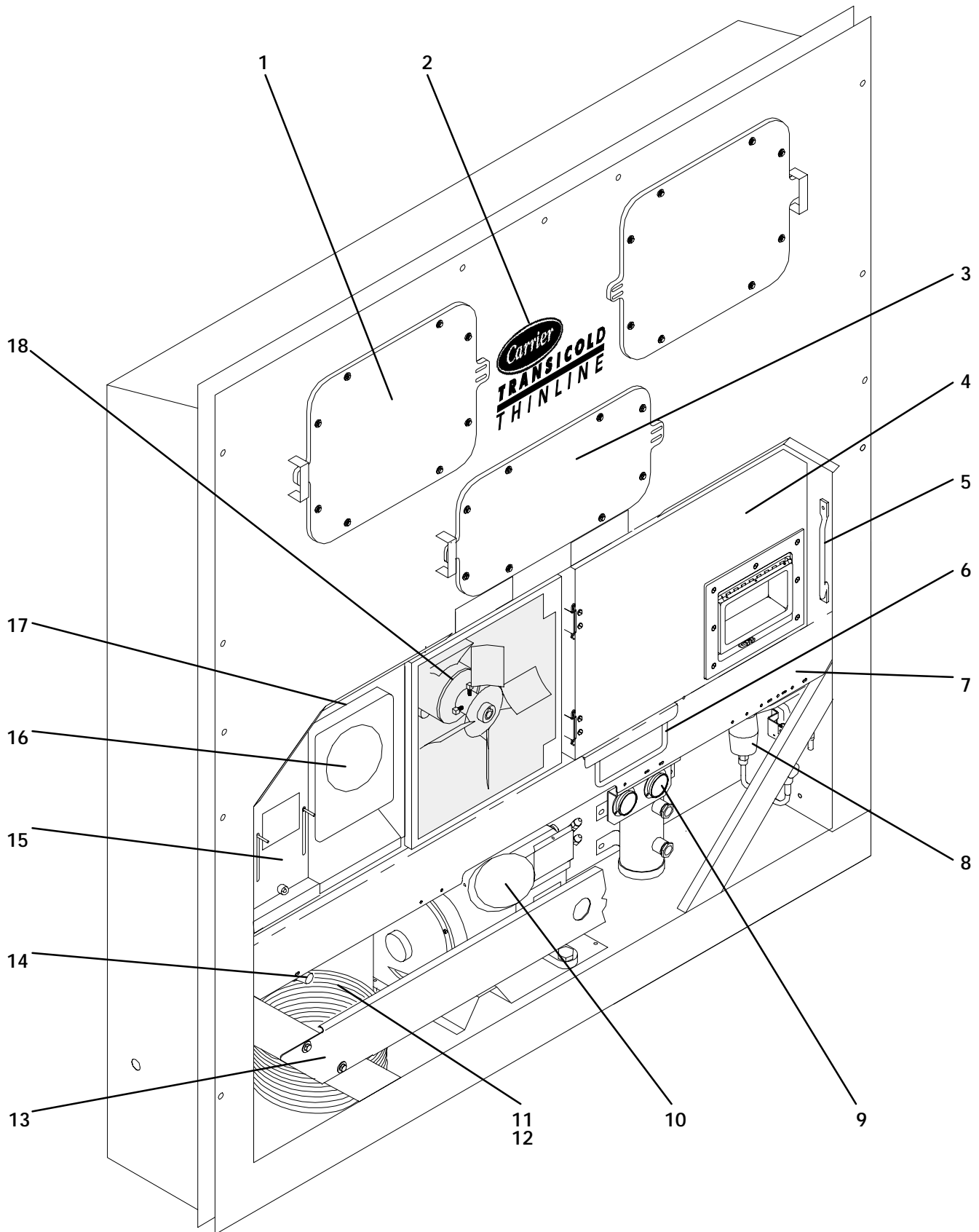
E – Provision for Communications Interface Module (RMU) option w/out connectors

X – Features that apply to model.

PART NO.	DESCRIPTION
1. QUICK LIST -- CLAMPS, FILTER-DRIER, FUSE, TY-RAPS, AND WIRE TERMINALS	
34-00373-51P10	Clamp, Tube, 1/4 – SST
34-00373-53P10	Clamp, Tube, 3/8 – SST
34-00373-05P10	Clamp, Tube, 1/2 – SST
34-00373-07P10	Clamp, Tube, 5/8 – SST
34-00373-59P10	Clamp, Tube, 3/4 – SST
34-00373-11P10	Clamp, Tube, 7/8 – SST
34-00373-65P10	Clamp, Tube, 1-1/8 – SST
34-00373-67P10	Clamp, Tube, 1-1/4 – SST
34-00373-69P10	Clamp, Tube, 1-3/8 – SST
34-00373-71P10	Clamp, Tube, 1-1/2 – SST
22-00066-01P25	Connector, Butt End, Wire Range – 22 to 16 Gauge
22-00066-02P25	Connector, Butt End, Wire Range – 16 to 14 Gauge
22-00066-03P25	Connector, Butt End, Wire Range – 12 to 10 Gauge
22-00041-00P25	Connector, Closed End, Wire Range – 22 to 14 Gauge
22-00041-02P25	Connector, Closed End, Wire Range – 18 to 10 Gauge
66U1-7472-1	Filter-Drier
HY10FJ006-P05	Fuse, 6 amp
22-00060-21P05	Fuse, 5 amp (Slow Blow)
HY10FJ203-P05	Fuse, 3 amp
22-00060-22P05	Fuse, 1 amp
22-01140-01P25	Ring Terminal, #6, Wire Range – 12 to 10 Gauge
22-01140-02P25	Ring Terminal, #10, Wire Range – 12 to 10 Gauge
22-01140-04P25	Ring Terminal, 3/8, Wire Range – 12 to 10 Gauge
22-00119-04P25	Ring Terminal, 1/4, Wire Range – 12 to 10 Gauge
22-00120-04P25	Ring Terminal, #10, Wire Range – 16 to 14 Gauge
22-00120-07P25	Ring Terminal, 5/16, Wire Range – 16 to 14 Gauge
22-00121-07P25	Ring Terminal, #10, Wire Range – 22 to 16 Gauge
22-01139-04P25	Ring Terminal, 3/8, Wire Range – 16 to 14 Gauge
22-01141-01P25	Spade Terminal, 1/4 x 5/16, Wire Range – 16 to 14 Gauge
22-00595-01P25	Spade Terminal, 3/8, Wire Range – 12 to 10 Gauge
22-01106-00F25	Spiral Wrap, 1/4 Diameter x 25 ft lg
22-01107-00F25	Spiral Wrap, 1/2 Diameter x 25 ft lg
66U1-3803P10	Tube, Heat Shrink, 1/4 ID x 2-1/8 lg
44-01043-05P25	Ty-Raps, 5-1/2 inches lg
44-01043-07P25	Ty-Raps, 11.00 inches lg
22-50007 Series	Wire Markers
07-00292-00P12	SW20 Compressor Oil, Castrol Icematic (Quart)
07-00293-00	Sealant, Pipe (Used to seal fittings on unit with R-134a)
2. TOOLS	
07-00013	Temperature Tester (Simpson Meter)
07-00013-01	Temperature Test Lead (15 Foot)
07-00013-02	Temperature Test Lead (50 Foot)
07-00013-03	Adapter, Males (Both Ends) (Use with Temperature Tester)
07-00015	Case, Carrying (Used with 07-00013)
07-00219	Wrench, Compressor Sight Glass
07-00221	Inspection Light with Mirror
07-00228	Volt-Ohmmeter, Digital
07-00229	Amprobe Clamp (Used with 07-00228)
07-00238	Wrench, Service Valve
07-00243-05	Volt-Ohmmeter, Digital (Fluke)
07-00254-00	Pin Extender, Plug Connector
07-00263-00	Pliers, Crimping (Used for compressor terminal block replacement)
07-00264-00	Grip, Wire Vise (Used for compressor terminal block replacement)
07-00268-00	Crimper, Micro Contact Pins
07-00277-00	Kit, Static Dissipative (Used for working on electronic components)
07-00304-00	Ground Strap, Wrist (Used for working on electronic components)
07-00294-00	Gauge Set, Manifold – Fahrenheit/PSI (For R-134a)
07-00294-05	Gauge Set, Manifold – Centigrade/KPA (For R-134a)
07-00295-00	Detector, Leak (For R-134a)
07-00297-00	Extractor, Integrated Circuit (For Eprom removal)
07-00298-00	Insertion, Integrated Circuit (For Eprom installation and pin straightener)

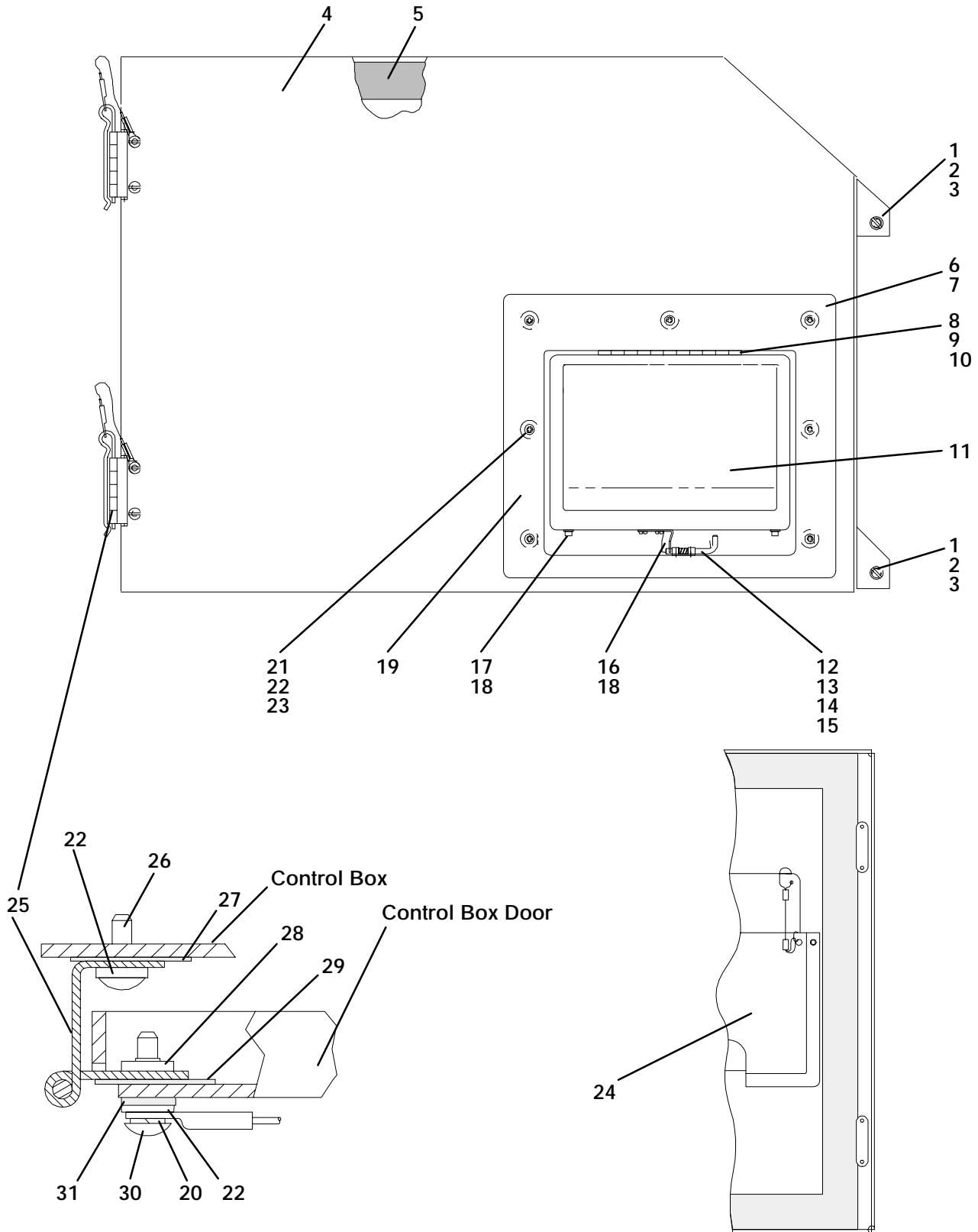
3. REFRIGERATION UNIT ASSEMBLY

3.1 REFRIGERATION UNIT -- FRONT



ITEM	PART NO.	DESCRIPTION	QTY
3.1 REFRIGERATION UNIT -- FRONT			
1	–	Panel, Access & Evaporator Fan Motor – Refer to Section 3.11	–
2	–	Labels and Decals – Refer to Section 3.23	–
3	–	Valve, Thermostatic Expansion (Location) – Refer to Section 3.16	–
4	–	Box, Control – Refer to Sections 3.2 to 3.7	–
5	69NT35-8113	Handle (Optional)	2
6	69NT40-657	Handle, Hinged (Optional)	1
7	–	Coil, Condenser – Refer to Section 3.8	–
8	–	Receiver and Tubing or Water-Cooled Condenser – Refer to Section 3.9 or 3.10	–
9	–	Gauge, Pressures – Refer to Section 3.20	–
10	–	Compressor – Refer to Section 3.20 or 5.	–
11	–	Cable, Power – Refer to Section 3.21	–
12	–	Plug, Power – Refer to Section 3.21	–
13	–	Guard, Compressor – Refer to Section 3.20	–
14	–	Connector, Interrogator – Refer to Sections 4.1 to 4.3	–
15	–	Vent, Fresh Air Makeup – Refer to Section 3.22	–
16	–	Recording Thermometer (Optional) – Refer to Section 3.14	–
17	69NT42-544	Cover, Blank (For Unit without a Recording Thermometer)	1
17	69NT43-204	Cover, Blank (For Unit without a Recording Thermometer) 69NT40-449-29	1
18	–	Motor, Condenser Fan – Refer to Section 3.8	–
NS	69NT35-8734-1	Cable Assembly, Rear (Transfresh) (NSI)	1
NS	69NT35-8734-3	Cable, Power – A2C (Transfresh) (NSI)	1
NS	69NT35-8734-4	Cable Assembly, A3C (Transfresh) (NSI)	1
NS	69NT35-8734-5	Hose Assembly, Air (Transfresh) (NSI)	1
NS	69NT35-8734-6	Fuse Assembly, In-line (Transfresh) (NSI)	1

3.2 CONTROL BOX DOOR

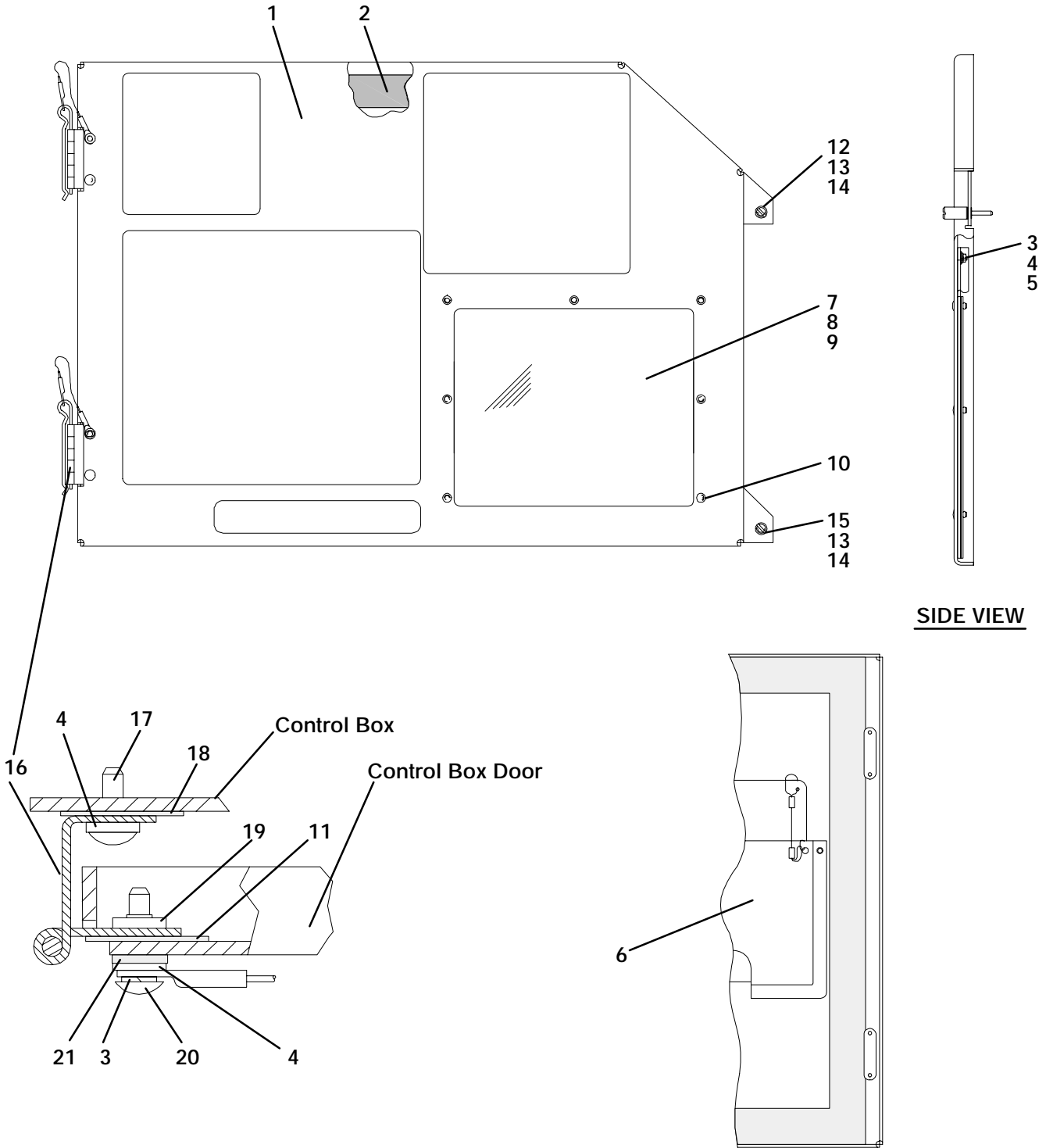


HINGE ASSEMBLY -- SECTIONAL VIEW

DOOR ASSEMBLY -- PARTIAL BACK VIEW

ITEM	PART NO.	DESCRIPTION	QTY
3.2 CONTROL BOX DOOR			
1	66U1-6811-11	Screw, Retaining	2
2	34-01226-00	Washer, Retaining	2
3	58-50013-03	Washer, Mylar	2
4	69NT42-414-5	Door Assembly – Includes:	1
4	69NT42-414-8	Door Assembly, Locking 69NT40-459-4 – Includes:	1
5	42-00189-00	Gasket, Door	1
6	69NT42-684	Door Assembly (Display) – Includes:	1
7	NSS	Bezel	1
8	44-00309-00	Hinge with Spring	1
9	66U1-6832-1	Rivet, Blind, 5/16 Diameter, Grip Range – 1/8-1/4 (NSI)	6
10	66U1-9132-1	Washer, Plain – Special – SST	3
11	69NT42-674	Door Assembly (Display) – Includes:	1
NS	69NT35-9613	Gasket	1
12	44-01125-00	Latch	1
13	66U1-6651	Screw, Pan Head, #6-32 X 1/2 lg – SST (NSI)	2
14	66U1-5321-14	Washer, Flat, #6 – SST (NSI)	2
15	34-00667-07	Locknut, #6-32 – SST (NSI)	2
16	69NT35-5732	Strike	1
17	66U1-5321-2	Washer, Flat, #8 – SST (NSI)	2
18	34-00667-08	Locknut, #8-32 – SST (NSI)	4
19	42-00201-00	Gasket (Display Bezel)	1
20	66U1-5331-3	Washer, Lock, #10 – SST (NSI)	4
21	34-06059-00	Screw, Oval Head, #10-24 x 3/4 lg – SST (NSI)	7
22	66U1-5321-8	Washer, Flat, #10 – SST	15
23	34-00795-09	Locknut, #10-32 – SST (NSI)	7
24	58-00971-00	Pocket, Placecard	1
25	44-01116-00	Hinge (Used on Door Assembly 69NT42-414-8)	2
25	44-00300-00	Hinge Assembly (NSI) – Includes:	2
NS	44-00300-01	Hinge, Half	1
NS	44-00300-02	Hinge, Half	1
NS	44-00300-03	Pin Assembly, with Tether	1
26	66U1-2403-1	Screw, Truss Head, #10-24 x 3/4 lg – SST (NSI)	4
27	58-04101-01	Protector, Mylar, Hinge (Used between hinge and unit frame)	2
28	34-01167-01	Retainer, Nut	2
29	58-04101-00	Protector, Mylar, Hinge (Used between hinge and door)	2
30	66U1-2403-1	Screw, Truss Head, #10-24 x 3/4 lg – SST (NSI)	4
31	34-06053-05	Washer, Mylar, 0.205 ID x 0.60 OD	4

3.3 CONTROL BOX DOOR -- 69NT40-449-15

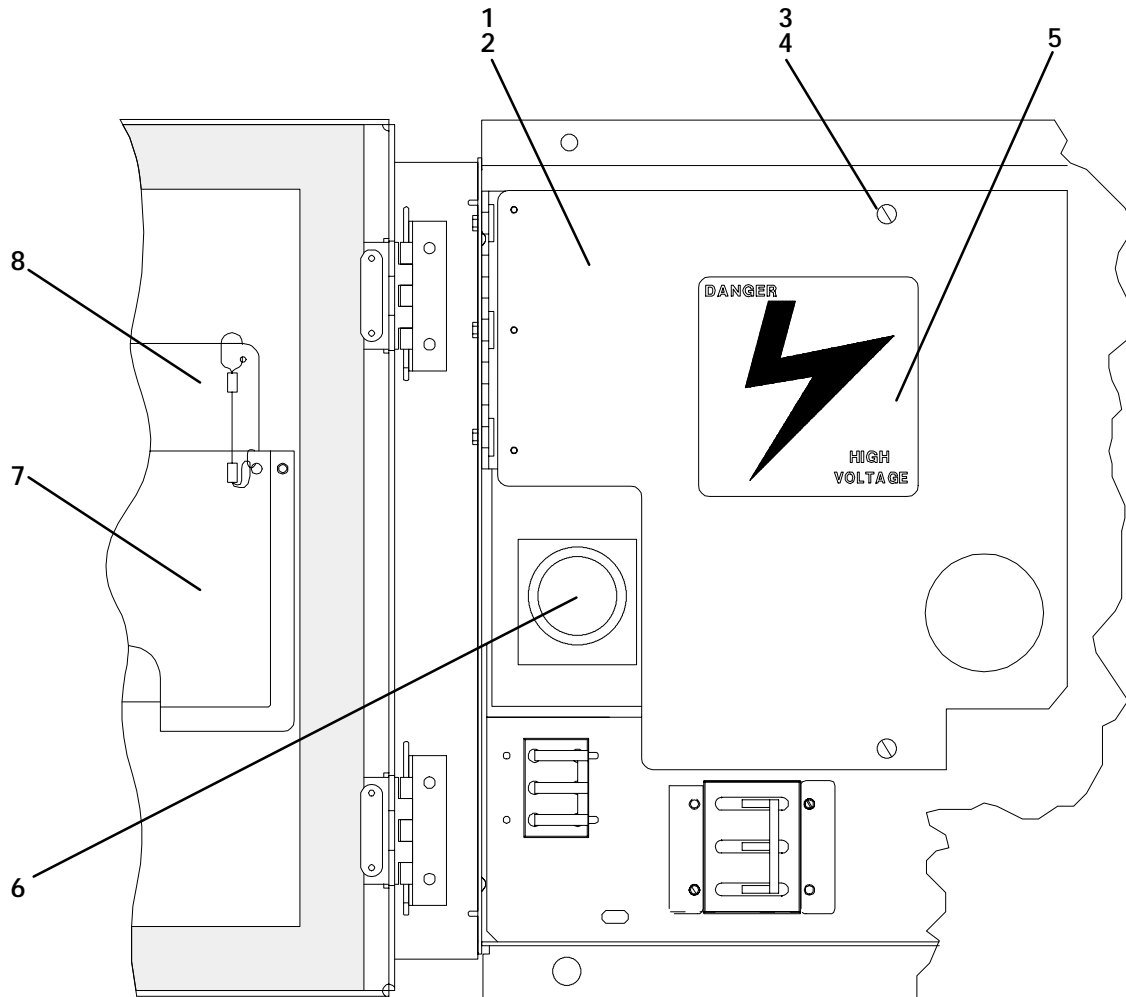


HINGE ASSEMBLY -- SECTIONAL VIEW

DOOR ASSEMBLY -- PARTIAL BACK VIEW

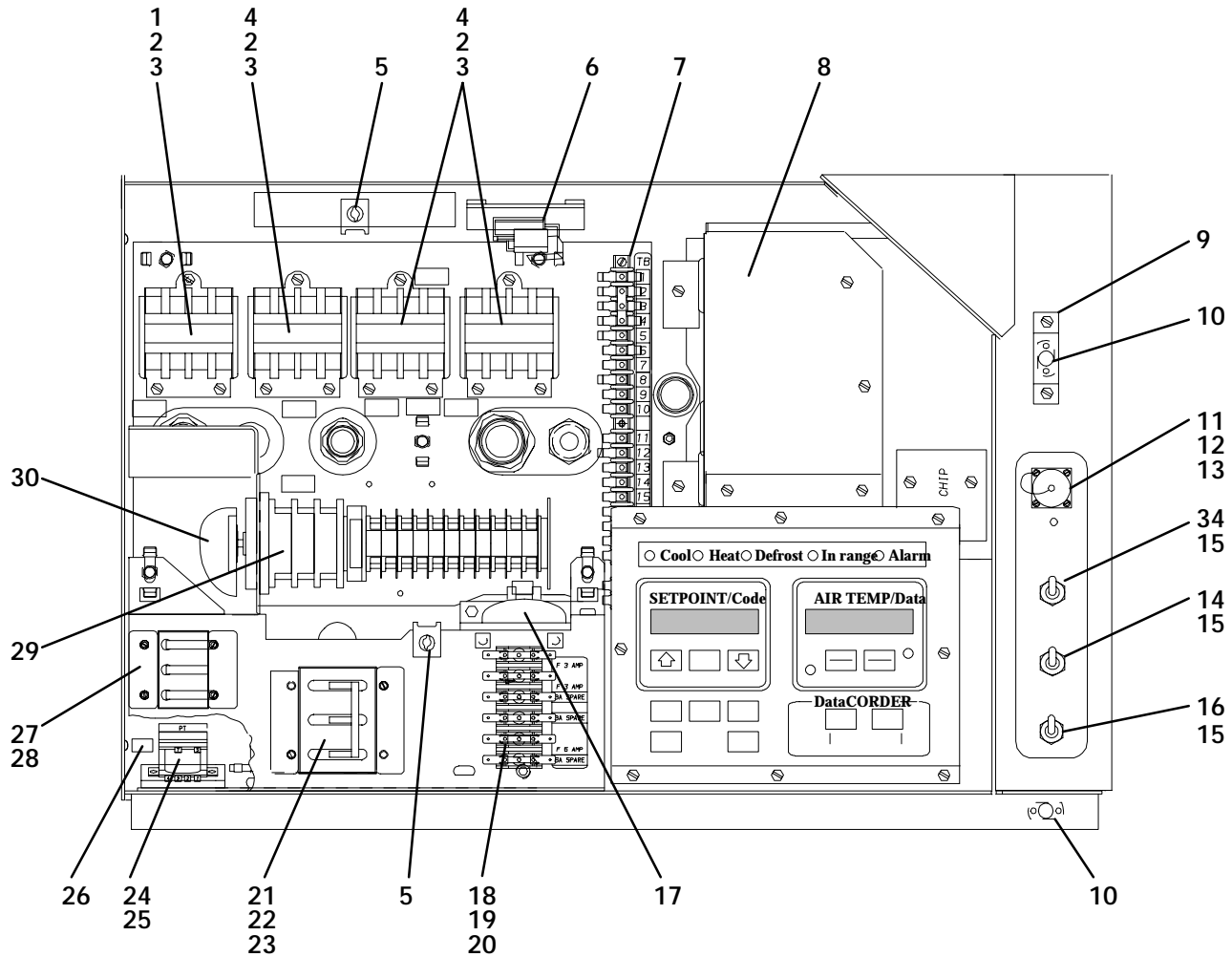
ITEM	PART NO.	DESCRIPTION	QTY
3.3 CONTROL BOX DOOR -- 69NT40-449-15			
1	69NT42-414-16	Door Assembly – Includes:	1
2	42-00189-01	Gasket, Door	1
3	66U1-5331-3	Washer, Lock, #10 – SST (NSI)	47
4	66U1-5321-8	Washer, Flat, #10 – SST	7
5	34-00665-09	Locknut, #10-32 – SST (NSI)	3
6	58-00971-00	Pocket, Placecard	–
7	58-04123-00	Window, Lexan, 10.48 x 12.62 x .125 thick (NSI)	1
8	42-00262-00	Gasket (Used between window and backup plate)	1
9	69NT35-1927	Plate, Backup, 5/8 thick – Aluminium (NSI)	1
10	34-00774-04	Rivet, Blind, 3/16 Diameter, Grip Range – 1/4-5/8 (NSI)	7
11	58-04101-00	Protector, Mylar, Hinge (Used between hinge and door)	2
12	66U1-6811-11	Screw, Retaining	1
13	34-01226-00	Washer, Retaining	2
14	58-50013-02	Washer, Mylar	2
15	66U1-6811-10	Screw, Retaining	1
16	44-00300-00	Hinge Assembly (NSI) – Includes:	2
NS	44-00300-01	Hinge, Half	1
NS	44-00300-02	Hinge, Half	1
NS	44-00300-03	Pin Assembly, w/Tether	1
17	66U1-5371-7	Screw, Truss Head, #10-24 x 1/2 lg – SST (NSI)	4
18	58-04101-01	Protector, Mylar, Hinge (Used between hinge and unit frame)	2
19	34-01167-01	Retaining, Nut	2
20	66U1-2403-1	Screw, #10-24 x 3/4 lg – SST (NSI)	4
21	34-06053-05	Washer, Mylar	4

3.4 CONTROL BOX

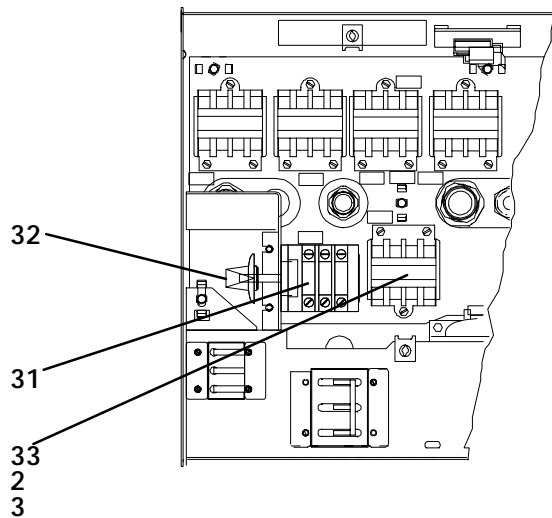


ITEM	PART NO.	DESCRIPTION	QTY
3.4 CONTROL BOX			
1	69NT40-907	Shield, High Voltage – Includes:	1
2	44-00297-00	Hinge	1
3	66U1-3442-2	Stud, 1/4 Turn	2
4	66U1-9212-1	Retainer	2
5	66CH1-1022-4	Label, Danger – High Voltage	1
6	66U1-3823	Meter, Hour – Optional	1
7	–	Pocket, Placard – Refer to Section 3.2 or 3.3	–
8	69NT20-373-143	Plate, Schematic & Diagram (NSI) – 69NT40-449-27	1
8	69NT20-373-144	Plate, Schematic & Diagram (NSI) – 69NT40-449-22, -23, -17	1
8	69NT20-373-145	Plate, Schematic & Diagram (NSI) – 69NT40-449-18	1
8	69NT20-373-146	Plate, Schematic & Diagram (NSI) – 69NT40-449-15	1
8	69NT20-373-147	Plate, Schematic & Diagram (NSI) – 69NT40-449-21	1
8	69NT20-373-148	Plate, Schematic & Diagram (NSI) – 69NT40-449-7	1
8	69NT20-373-149	Plate, Schematic & Diagram (NSI) – 69NT40-449-28	1
8	69NT20-373-150	Plate, Schematic & Diagram (NSI) – 69NT40-459-4	1
8	69NT20-373-152	Plate, Schematic & Diagram (NSI) – 69NT40-449-29	1

3.5 CONTROL BOX -- HIGH VOLTAGE SHIELD REMOVED



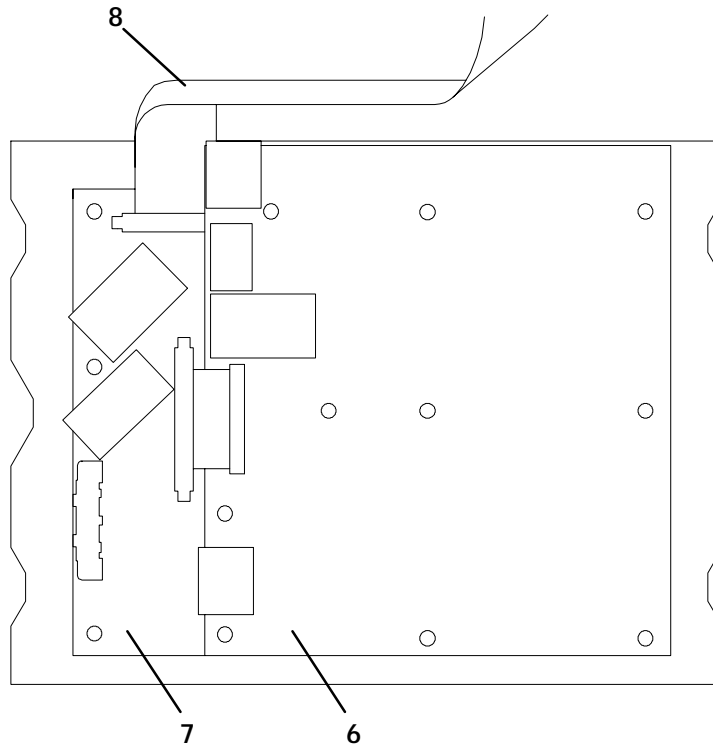
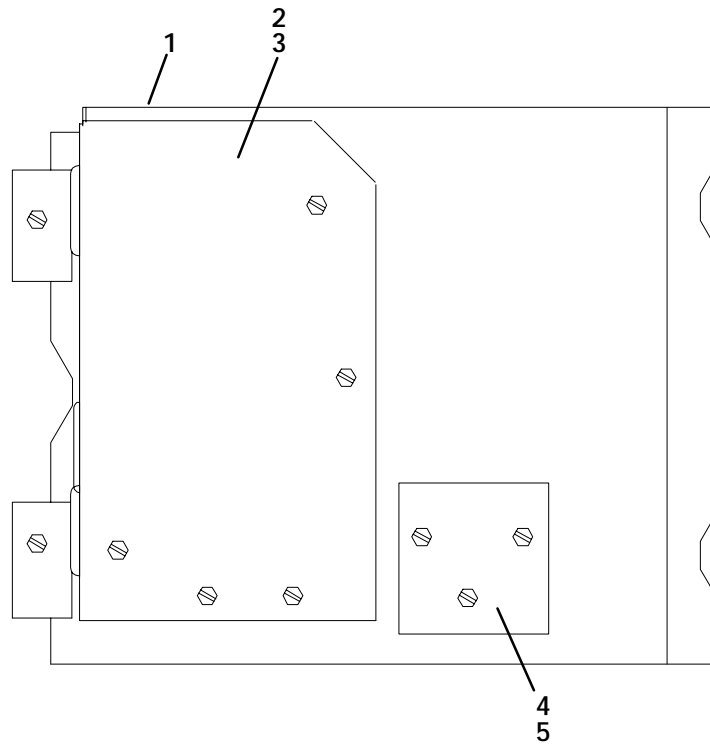
UNITS WITH ONE-SPEED EVAPORATOR MOTOR



UNITS WITH TWO-SPEED EVAPORATOR MOTOR

ITEM	PART NO.	DESCRIPTION	QTY
3.5 CONTROL BOX -- HIGH VOLTAGE SHIELD REMOVED			
1	10-00304-33	Contactora, Compressor (40 Amp)	1
1	10-00304-00	Contactora, Compressor (60 Amp) 69NT40-449-15	1
2	PL	Screw, Hex Head, #10-24 x 1/2 lg – SST	A/R
3	PL	Washer, Lock, #10 – SST	A/R
4	10-00304-32	Contactora, Condenser/Evaporator Fan Motor & Heater (CF, EF & HR)	3
5	66U1-9222	Receptacle, Retaining (For High Voltage Shield)	2
6	10-50016-00	Kit, Transformer Current	3
7	22-01553-00	Block, Terminal (NSI)	1
8	–	Controller Box, Microprocessor – Refer to Sections 3.6 and 3.7	–
9	69NT35-9453	Bracket (Latch/Lock) – Optional (NSI)	1
10	34-01142-01	Receptacle, Retaining (For Control Box Door)	2
11	22-02341-00	Receptacle, Communications (RMU) (Plastic) – Optional	1
NS	22-02368-00	Plug, Communications (RMU) – Optional	1
12	22-02341-01	Cap and Chain (RM) – Optional	1
13	66U1-6835	Gasket, Receptacle – Optional	1
14	10-00221	Switch, Toggle (MDS)	1
15	66U1-9752	Seal, Bushing	A/R
16	10-00237	Switch, Toggle (ST)	1
17	66U1-2353	Transformer, Control	1
18	22-02381-00	Fuse Block	1
19	HY10FJ006	Fuse, 6 amp	2
20	22-00060-21	Fuse, 5 amp (Slow Blow)	4
21	66U1-1723-3	Circuit Breaker – 460 vac (CB1)	1
22	66U1-6651-19	Screw, Pan Head, #6-32 x 7/16 lg – SST (NSI)	4
23	AU27JR081	Washer, Lock, #6 – SST (NSI)	4
24	69NT43-122	Transformer, Potential	1
25	34-00669-08	Screw, Roundhead, #6-32 x 1/2 lg – SST (NSI)	2
26	66CH1-1002-100	Label, (PT) (NSI)	1
27	10-00277-00	Circuit Breaker – 250vac 50 Amp (CB2) (See Model Chart)	1
28	58-00974-00	Plate, Blank Off (CB2) (NSI)	1
29	10-01148-01	Switch, Voltage (Grey or White Body) (See Model Chart)	1
30	10-01148-04	Handle (For P/N 10-01148-01) – Includes:	1
NS	10-01148-04SV	Tightening Element (For P/N 10-01148-04)	1
29	10-00331-00	Switch, Voltage (Green Body) (See Model Chart)	1
		Starting with Serial Number 90180838 – Includes:	1
30	10-00331-21	Handle (For P/N 10-00331--01) – Includes:	1
NS	NSS	Screw, Handle (For P/N 10-00331--21)	1
31	10-01149-01	Switch, Voltage (3 Station) (See Model Chart)	1
32	10-01149-04	Handle (For 3 Station) – Includes:	1
NS	10-01149-04SV	Tightening Element	1
33	10-00304-32SV	Contactora, Evaporator Fan Motor (ES) (See Model Chart) – Includes:	1
NS	10-00304-32	Contactora	1
NS	10-00304-41	Contactora, Auxiliary	1
34	10-01130-07	Switch, Toggle (BMS) 69NT40-449-7	1
34	10-00298-01	Switch, Toggle (CFS) 69NT40-459-4, 69NT40-449-29	1

3.6 CONTROL BOX -- MICROPROCESSOR CONTROLLER BOX

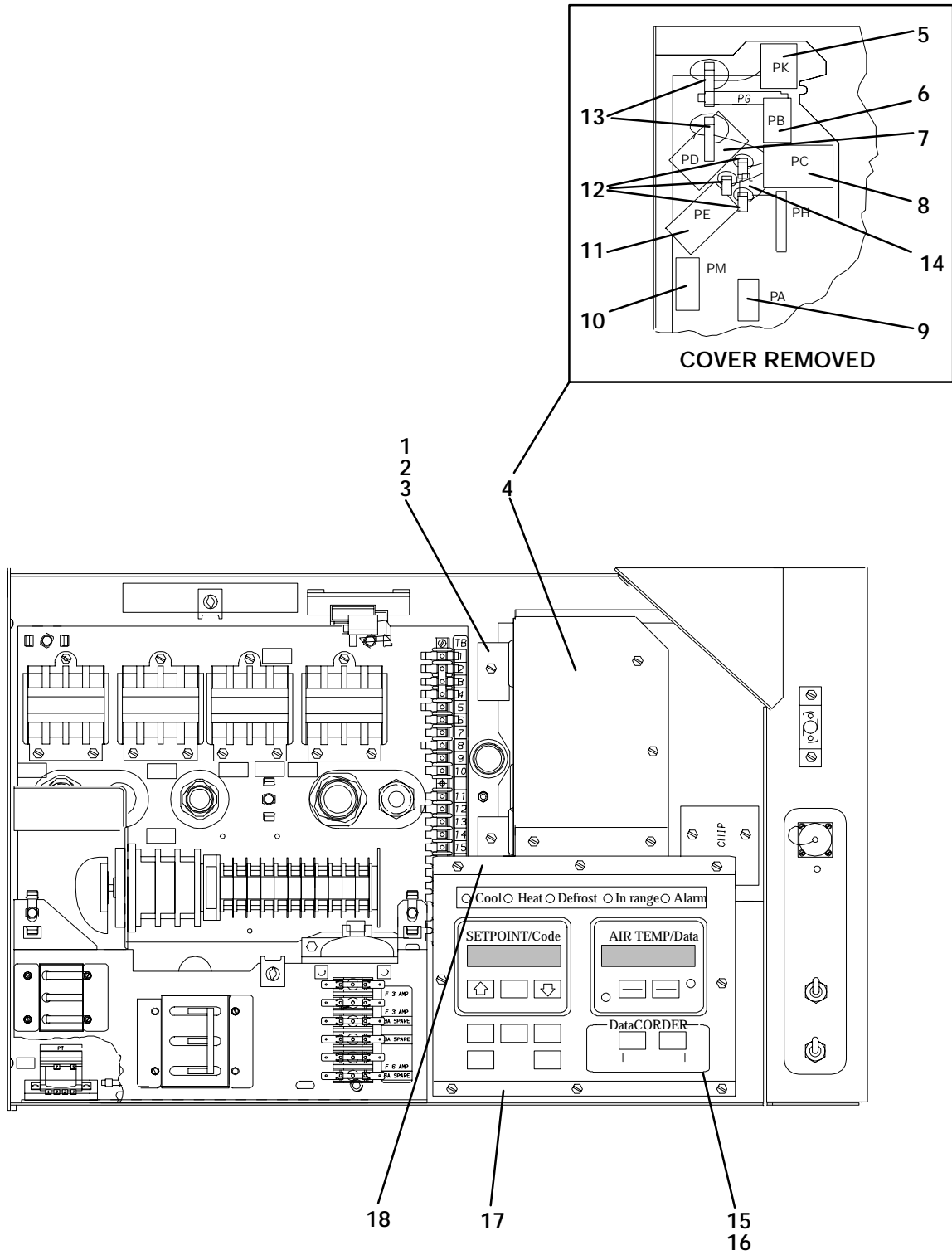


COVERS REMOVED

ITEM	PART NO.	DESCRIPTION	QTY
3.6 CONTROL BOX -- MICROPROCESSOR CONTROLLER BOX			
*1	69NT42-334-66	Controller Box, Micro 69NT40-449-18, -27 – Includes:	1
*1	69NT42-334-67	Controller Box, Micro 69NT40-449-15, -17, -21, -22, -23 – Includes:	1
*1	69NT42-334-69	Controller Box, Micro 69NT40-449-7, -28 & 69NT40-459-4 – Includes:	1
2	69NT40-897-SV	Cover – Includes:	1
3	69NT35-6372	Gasket	1
4	69NT35-6192-SV	Plate – Includes:	1
5	69NT35-6332	Gasket	1
6	12-00298-05	Board, Logic – NEW – Includes:	1
NS	12-01084-07	Battery, Lithium, 3.6 Volt	1
7	12-01123-00SV	Board, I/O – NEW	1
7	12-01123-20SV	Board, I/O – Remanufactured	1
*1	69NT42-334-77	Controller Box, Micro 69NT40-449-29 – Includes:	1
6	12-00298-07	Board, Logic – NEW 69NT40-449-29 – Includes:	1
NS	12-00353-00	Board, Expansion	1
NS	12-01084-07	Battery, Lithium, 3.6 Volt	1
6	12-00298-25	Board, Logic – Remanufactured – Includes:	1
NS	12-01084-07	Battery, Lithium, 3.6 Volt	1
6	12-00298-27	Board, Logic – Remanufactured 69NT40-449-29 – Includes:	1
NS	12-00353-00	Board, Expansion	1
NS	12-01084-07	Battery, Lithium, 3.6 Volt	1
8	12-00271-00	Cable, Ribbon	1
NS	76-50022-00	Kit Gaskets, Cover	1
NS	76-50023-00	Kit Gaskets, Controller Box	1

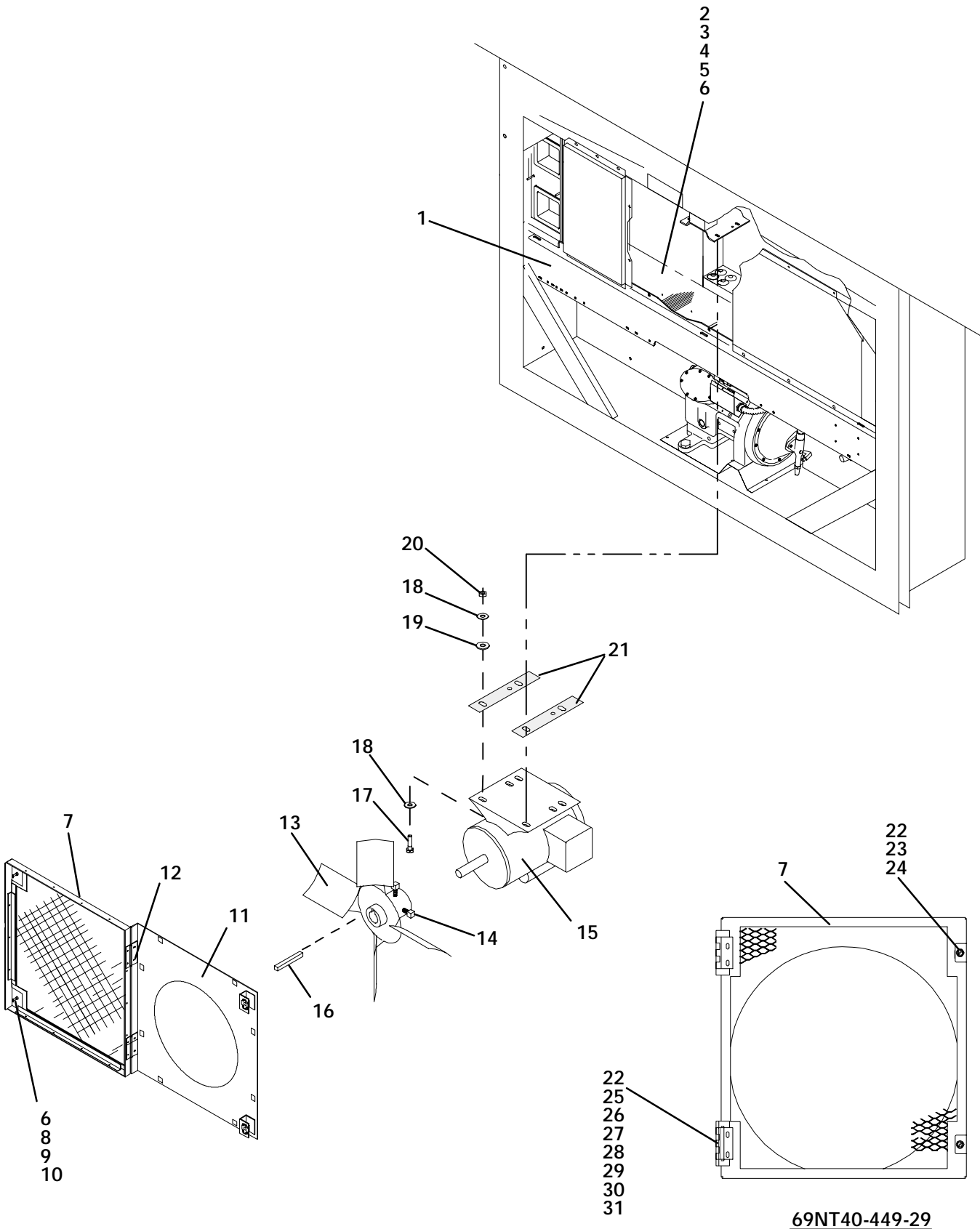
* NOTE: Indicates the items that may be order as remanufactured parts by adding RM to the end of the part number. Example 69NT42-334-66RM is a remanufactured 69NT42-334-66.

3.7 CONTROL BOX -- MICROPROCESSOR CONTROLLER BOX -- COVER REMOVED



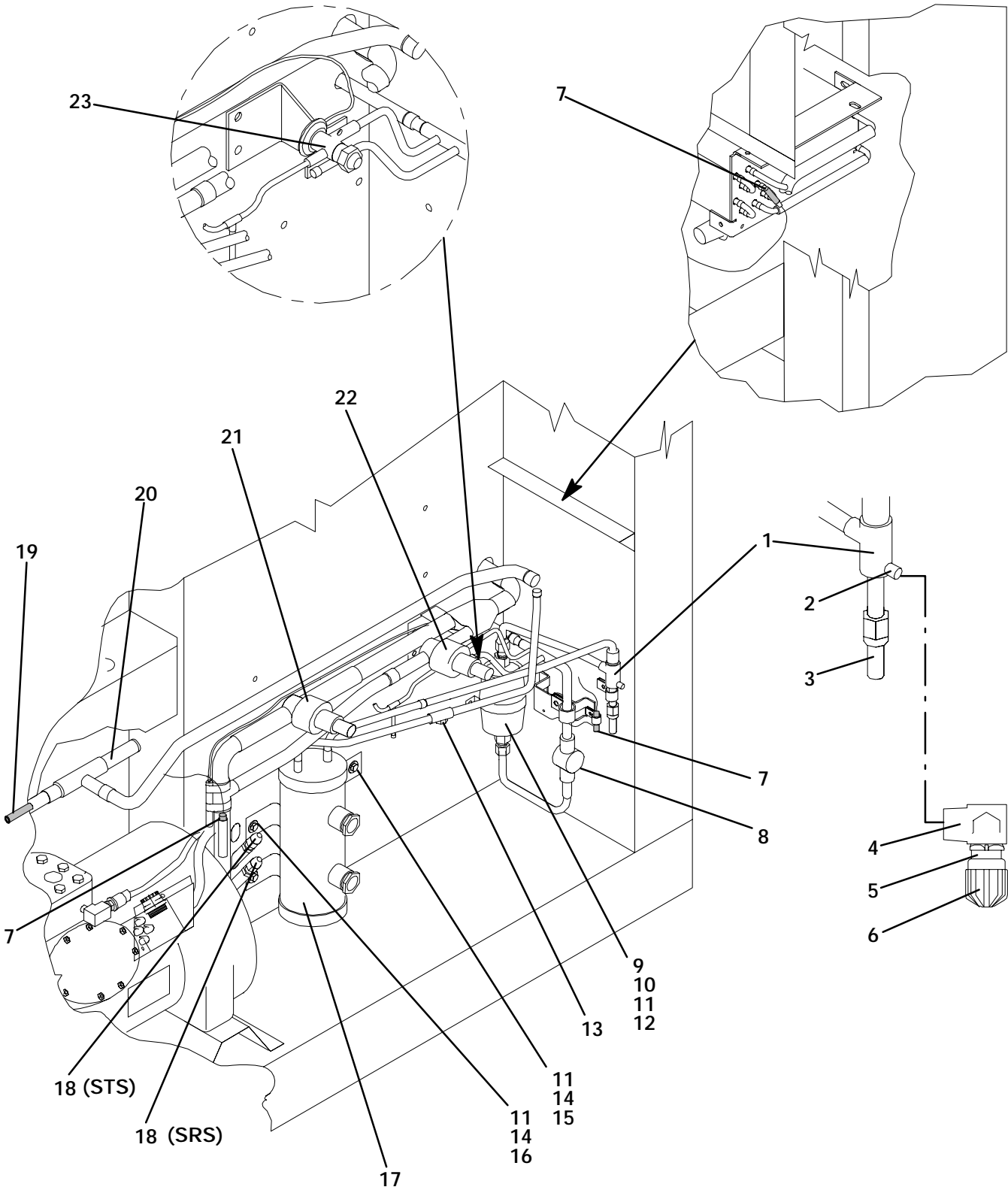
ITEM	PART NO.	DESCRIPTION	QTY
3.7 CONTROL BOX -- MICROPROCESSOR CONTROLLER BOX -- COVER REMOVED			
1	58-00965-00	Spacer, Nylon	2
2	66U1-5321-3	Washer, Flat, 1/4 – SST	2
3	34-00655-10	Capscrew, Hex Head, 1/4-20 x 1-1/4 lg – SST (NSI)	2
4	–	Cover – Refer to Section 3.6	–
5	22-02355-03SV	Connector, Plug (PK) – Includes:	1
		Socket, Terminal	9
NS	22-02362-01	Connector, Plug (PB) – Includes:	1
		Socket, Terminal	6
NS	22-02362-00	Connector, Plug (PD) – Includes:	1
		Socket, Terminal	24
8	22-02355-01SV	Connector, Plug (PC) – Includes:	1
NS	22-02362-01	Connector, Plug (PA) – Includes:	24
		Socket, Terminal	1
9	22-02357-02SV	Connector, Plug (PM) – Includes:	1
NS	22-02361-01	Connector, Plug (PE) – Includes:	9
		Socket, Terminal	6
10	22-02306-00	Suppressor, RFI, 0.31 I.D.	1
NS	22-02362-00	Suppressor, RFI, 0.76 I.D.	6
		Suppressor, RFI, 0.50 I.D. (Location)	1
11	22-02355-02SV	Display Assembly – Includes:	1
NS	22-02362-01	Gasket	18
		Keypad	1
12	22-02416-01	Board, Annunciator	3
13	22-02416-00	Board, Digital Display – NEW – Includes:	2
14	22-02416-02	Display, LCD	1
15	12-00313-00SV	Board, Digital Display – Remanufactured	1
NS	42-01094-00	Cover (Behind Display)	1
NS	12-01084-01	Cable, Ribbon Assembly – Refer to Section 3.6	–
NS	12-00313-01	Hinge	1
NS	12-01116-02	Bracket Assembly, Display (NSI)	1
NS	12-01116-04		
NS	12-01116-22		
NS	69NT40-817		
16	–		
17	44-00298-00		
18	69NT35-6222		

3.8 CONDENSER FAN MOTOR AND COIL SECTION



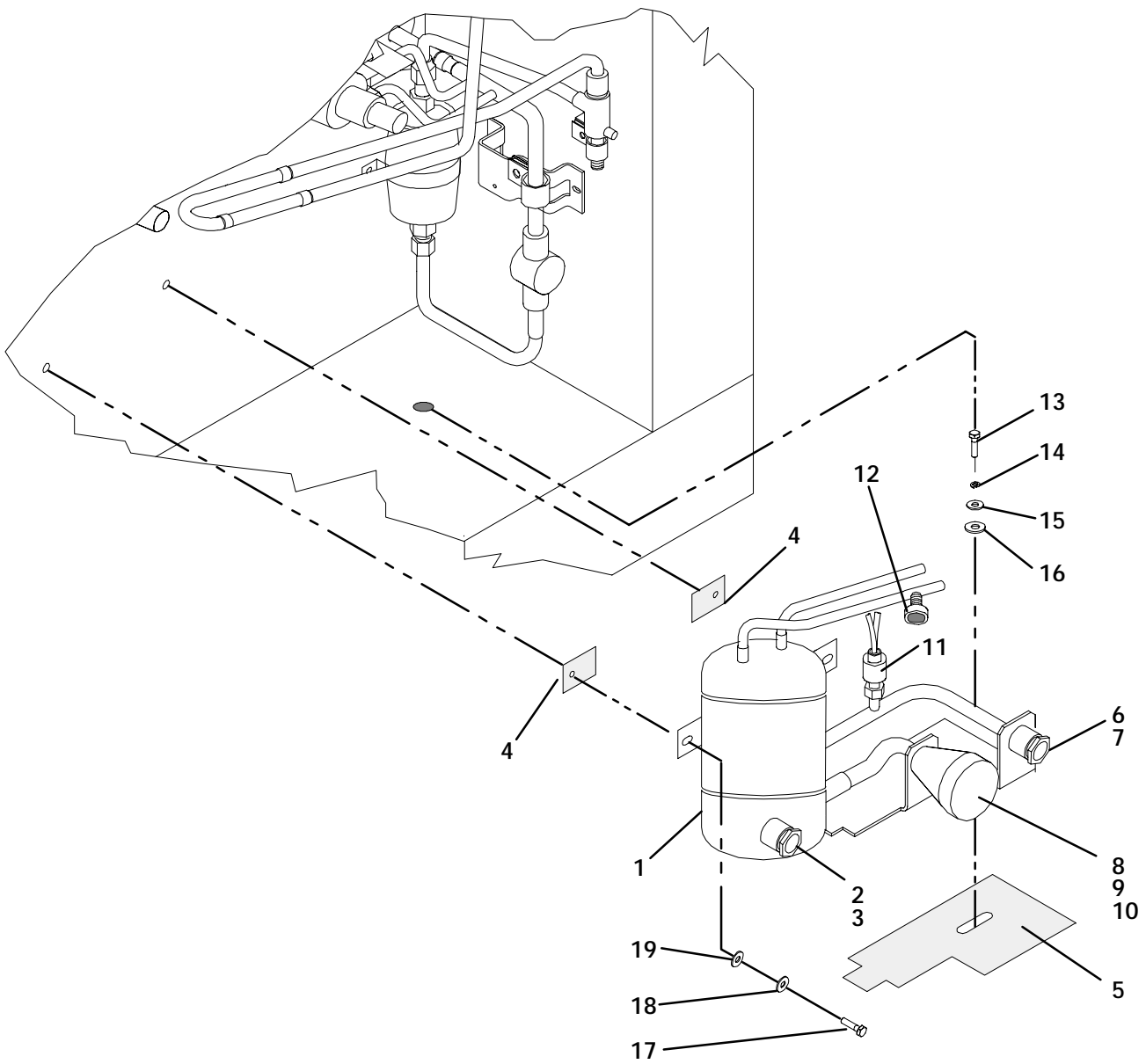
ITEM	PART NO.	DESCRIPTION	QTY
3.8 CONDENSER FAN MOTOR AND COIL SECTION			
1	69NT43-148-2	Cover, Condenser Coil	1
2	69NT42-108-SV	Coil, Condenser (Copper) – Includes Mylar Washers	1
NS	69NT35-8703	Protector (Apply between frame and coil & coil cover)	4
3	66U1-5361-25	Capscrew, Hex Head, 1/4-20 x 3/4 lg – SST (NSI)	10
4	66U1-5321-7	Washer, Flat, 1/4 – SST	10
5	58-50013-02	Washer, Mylar, 1/4 ID X 3/4 OD	10
6	58-50013-04	Washer, Mylar, 1/4 ID X 1.00 OD	2
NS	34-06053-05	Washer, Mylar, 13/64 ID X 39/64 OD	2
NS	58-04026-00	Protector, Mylar (Apply between coil mounting & frame RH side)	1
NS	58-04026-03	Protector, Mylar (Apply to top side center coil mounting)	1
NS	58-04026-04	Protector, Mylar (Apply between coil mounting & frame, RH & LH sides)	2
NS	58-04026-06	Protector, Mylar (Apply to center between frame & coil & coil cover)	2
NS	58-04026-08	Protector, Mylar (Apply to top side of coil bracket, RH & LH sides)	2
NS	58-04026-09	Protector, Mylar (Apply under coil center bracket attached to frame)	1
NS	58-04026-10	Protector, Mylar (Apply between coil & coil cover, RH & LH sides)	2
NS	58-04026-11	Protector, Mylar (Apply between coil mounting & frame LH side)	1
7	69NT43-228	Grille and Venturi Assembly – 69NT40-449-29	1
7	69NT40-847-2	Grille – Includes:	1
8	34-01150-04	Stud, 1/4 Turn	2
9	34-01150-30	Washer, Retaining	2
10	34-01150-31	Receptacle	2
11	69NT40-837-1	Venturi (For 17-1/2 diameter Fan)	1
NS	PL	Rivet, Blind, 5/32 Diameter, Grip Range – 1/8-5/8 – SST	4
12	69NT35-1482	Hinge	2
NS	PL	Rivet, Blind, 5/32 Diameter, Grip Range – 1/8-1/4 – SST	4
13	38-00142-01	Fan, Condenser (17-1/2 diameter) – SST – Includes:	1
13	38-00510-00SV	Fan, Condenser (17-1/2 diameter) (Painted Steel) – 69NT40-449-18, -27 – Includes:	1
13	38-00503-00	Fan, Condenser (17-1/2 diameter) (Plastic) – 69NT40-449-29 – Includes:	1
14	PL	Set Screw, Square Head, 5/16-24 x 5/8 lg – SST	2
15	54-00516-00SV	Motor, Condenser Fan – Includes:	1
16	PL	Key, 3/16 Square x 1-3/8 lg – SST	1
NS	04-50020-00	Bearing	2
NS	22-50088-00	Capacitor	1
17	66U1-5361-39	Screw, Hex Head/Washer, 5/16-18 x 1 lg – SST (NSI)	4
18	34-01181-01	Washer, Flat, 5/16 – SST (NSI)	8
19	58-50013-00	Washer, Mylar	4
20	34-00667-12	Locknut, 5/16-18 – SST (NSI)	4
21	69NT35-6112	Protector, Condenser Fan Motor Mounting	2
22	34-06053-05	Washer, Mylar, 13/64 ID x 39/64 OD	6
23	66U1-6811-8	Screw, Retaining	2
24	34-01226-00	Washer, Retaining – Nylon	2
25	44-01116-00	Hinge	2
26	66U1-2403	Screw, Truss Head, #10-24 x 1/2 lg – SST (NSI)	4
27	66U1-5331-3	Washer, Lock, #10 – SST (NSI)	4
28	66U1-5321-8	Washer, Flat, #10 – SST	4
29	58-04101-00	Protector, Mylar (Apply between Grille Hinge and Frame)	2
30	58-04101-01	Protector, Mylar (Apply between Grille and Retaining Nut)	2
31	34-01167-01	Nut, Retaining	2

3.9 RECEIVER AND TUBING SECTION



ITEM	PART NO.	DESCRIPTION	QTY
3.9 RECEIVER AND TUBING SECTION			
1	66U1-8552-2	Valve, Liquid Line – Starting with Serial #90215905	1
1	66U1-8552	Valve, Liquid Line – Includes:	1
2	40-00086-04	Cap, Flare – 1/4	1
3	17-21002-01	Cap, Valve	1
4	40-00519-01	Elbow, Swivel, 90_ 1/4 Flare x M15 – Brass	1
5	40-00520-01	Coupling, M15 – Brass – Includes:	1
6	40-00520-03	Cap, Service Port	1
7	12-01104-00	Sensor, Thermistor (AMBS, CPSS & CSAS)	3
8	14-00202-00	Indicator, Moisture – Liquid	1
9	66U1-7472-1	Filter-Drier	1
10	69NP20-1031	Clamp – Includes:	1
NS	58-50014-00F16	Gasket (16 ft, Cut to length)	A/R
11	66U1-5361-25	Screw, Hex Head, 1/4-20 x 3/4 lg (NSI)	A/R
12	58-50013-04	Washer, Mylar, 1/4 ID x 1.00 OD	2
13	14-01032-11	Plug, Fusible, 3/8 nptf – Brass	1
13	14-00215-03	Disc, Rupture, 3/8 npt 69NT40-449-29	1
14	66U1-5321-7	Washer, Flat, 1/4 – SST	A/R
15	58-04026-05	Protector	1
16	58-00956-00	Protector, Mylar	2
17	69NT42-924-1	Receiver Painted Steel – Includes: 69NT40-449-17, -23, -28	1
17	69NT40-977-1	Receiver (See Model Chart) SST – Includes:	1
NS	14-00111	Glass, Sight	2
NS	14-00111-01	Glass, Sight, with Red Balls 69NT40-449-15	2
18	12-00306-00	Sensor Assembly (SRS & STS)	2
19	12-01105-00	Sensor, Thermistor (CPDS)	1
20	14-00204-00	Valve, Pressure Regulator	1
21	–	Valve, Modulating Solenoid – Refer to Section 3.18	–
22	–	Valve, Suction Solenoid – Refer to Section 3.17	–
23	14-00212-01	Valve, Quench, Thermostatic Expansion	1

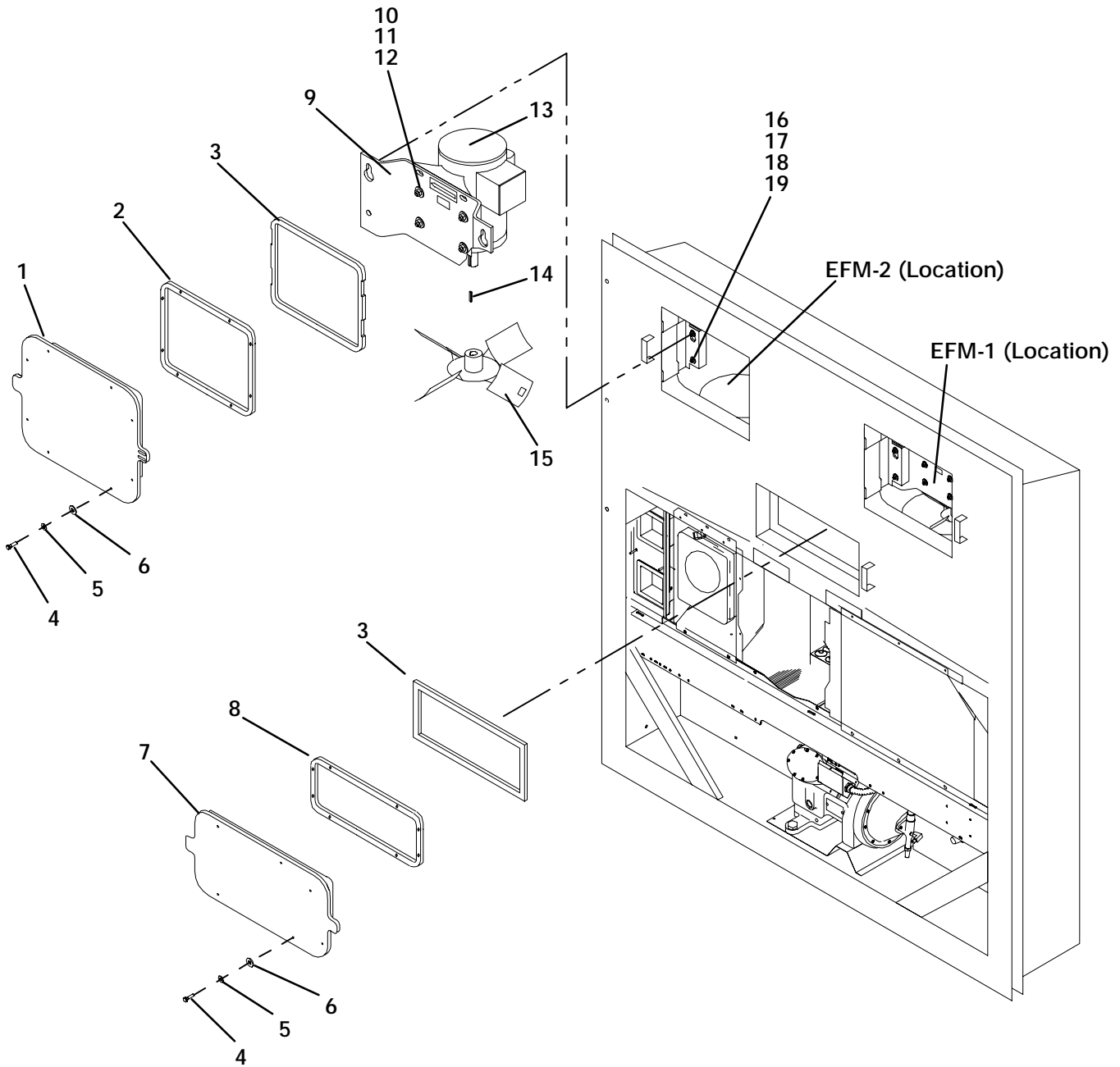
3.10 WATER-COOLED CONDENSER



e

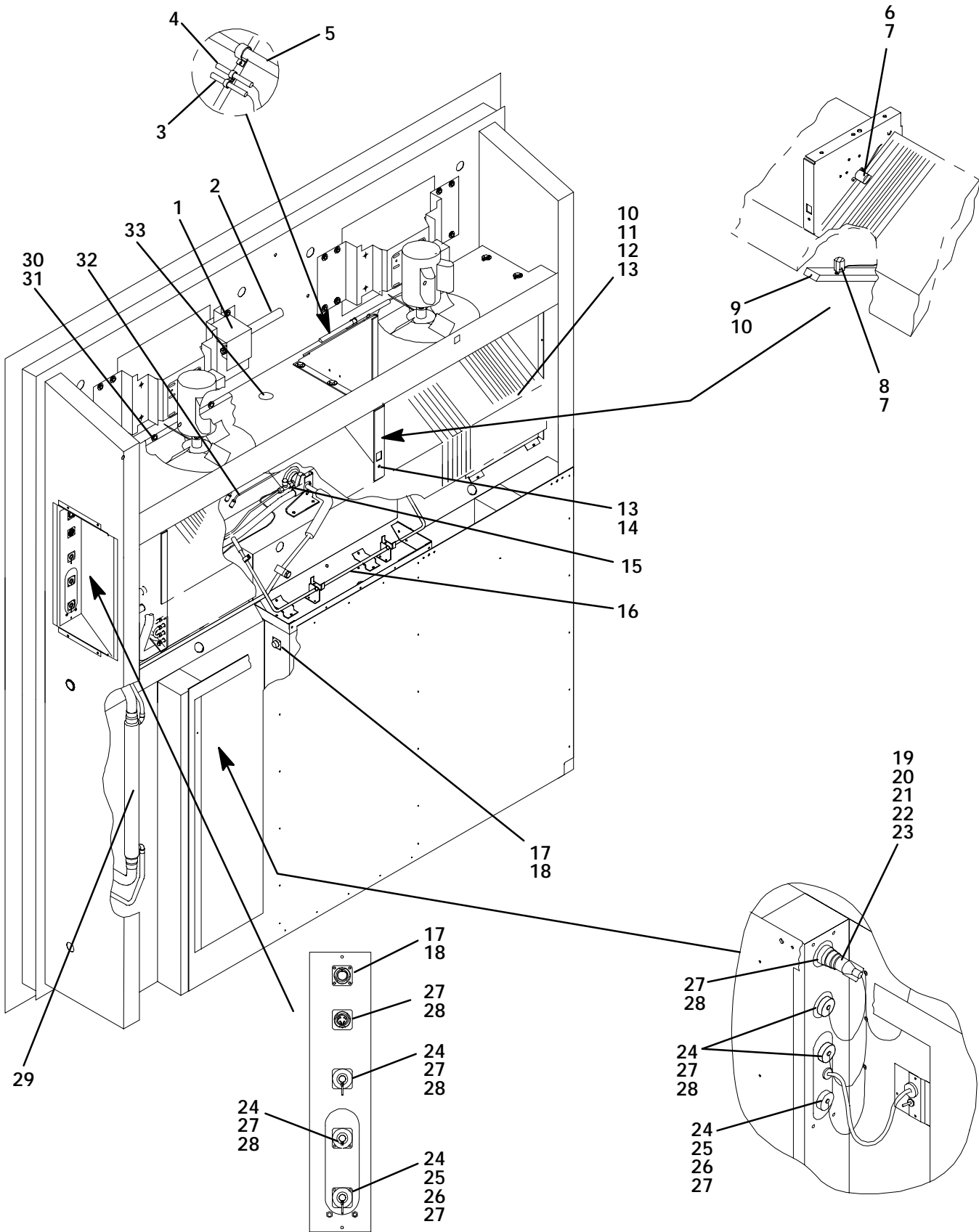
ITEM	PART NO.	DESCRIPTION	QTY
3.10 WATER-COOLED CONDENSER			
–	69NT42-128	Condenser/Receiver (SST) 69NT40-459-4 – Includes: Items 2 & 3	1
1	69NT42-914-1	Condenser/Receiver – Includes:	1
2	14-00111	Sight Glass (White Ball) – Includes:	1
3	NSS	Ball, Float	1
4	58-00956-00	Protector, Mylar	2
5	58-00957-00	Protector, Mylar	1
6	66U1-2763-5	Coupling (Water-In)	1
2	14-00111-01	Sight Glass (Red Ball) 69NT40-449-29	1
7	66U2-1142	Cap, Dust	1
8	40-01129	Coupling, Self Draining – Includes:	1
9	42-50000	Seal, O-Ring	1
10	66U2-1152	Cap, Dust	1
11	12-01071-01SV	Switch, Water Pressure	1
11	DD19CA061	Cap, Flare Seal – Brass 69NT40-449-29 & 69NT40-459-4	1
12	14-00215-03	Disk, Ruptured, 3/8 npt	1
13	66U1-5361-7	Bolt, Hex Head, 3/8-16 x 1.00 lg – SST (NSI)	1
14	66U1-5321-5	Washer, Flat, 3/8 – SST (NSI)	1
15	AU11JR241	Washer, Lock, 3/8 – SST	1
16	58-50013-00	Washer, Mylar, 3/8 ID x 1.00 OD	1
17	66U1-5361-25	Capscrew, Hex Head, 1/4-20 x 3/4 lg – SST (NSI)	A/R
18	66U1-5321-7	Washer, Flat, 1/4 – SST	A/R
19	58-50013-02	Washer, Mylar, 1/4 ID x 13/16 OD	2

3.11 EVAPORATOR FAN MOTOR AND ACCESS PANEL SECTION



ITEM	PART NO.	DESCRIPTION	QTY
3.11 EVAPORATOR FAN MOTOR AND ACCESS PANEL SECTION			
1	69NT40-908-1	Panel, Access – Includes:	2
1	69NT40-908-4	Panel, Access 69NT40-459-4 – Includes:	2
2	42-01082	Gasket	1
3	66U1-8115-F20	Gasket, Access Panel Seal – Adhesive Back, Pressure Sensitive, 4 x 1/2 thick (20 ft, Cut to length)	A/R
4	AA06JA170	Capscrew, Hex Head, 1/4-20 x 1 lg – SST	A/R
5	AN96OC416	Washer, Flat, 1/4 – SST	A/R
6	58-50013-03	Washer, Mylar, 1/4 ID X 1/2 OD	24
7	69NT40-898-1	Panel, Access – Includes:	1
7	69NT40-898-4	Panel, Access 69NT40-459-4 – Includes:	1
8	42-01081	Gasket	1
9	69NT35-1173	Bracket, Motor Mount	2
10	34-00933-12	Capscrew, Hex Head, 5/16-18 x 1-1/2 lg – SST (NSI)	4
11	34-01181-01	Washer, Flat, 5/16 – SST (NSI)	8
12	34-00667-12	Locknut, 5/16-18 – SST (NSI)	4
13	54-00513-00	Motor, Evaporator Fan (Two-Speed) (See Model Chart) – Includes:	2
14	PL	Key, 3/16 x 3/16 x 1-3/8 lg – SST	1
NS	04-50020-00	Bearing	2
NS	22-50087-00	Capacitor	1
13	54-00507-00	Motor, Evaporator Fan (One-Speed) (See Model Chart) – Includes:	2
14	PL	Key, 3/16 x 3/16 x 1-3/8 lg – SST	1
NS	04-50021-00	Bearing	2
NS	22-50087-00	Capacitor	1
15	38-00126	Fan, Evaporator (EFM-1) – Includes:	1
NS	PL	Setscrews, 5/16-24 x 5/8 lg – SST	2
15	38-00125	Fan, Evaporator (EFM-2) – Includes:	1
NS	PL	Setscrews, 5/16-24 x 5/8 lg – SST	2
16	66U1-5361-7	Bolt, Hex Head, 3/8-16 x 1.00 lg – SST (NSI)	8
17	66U1-5321-5	Washer, Flat, 3/8 – SST (NSI)	8
18	AU11JR241	Washer, Lock, 3/8 – SST	8
19	69NT40-476	Bracket, Mounting	4

3.12 EVAPORATOR COIL SECTION -- REAR PANELS REMOVED



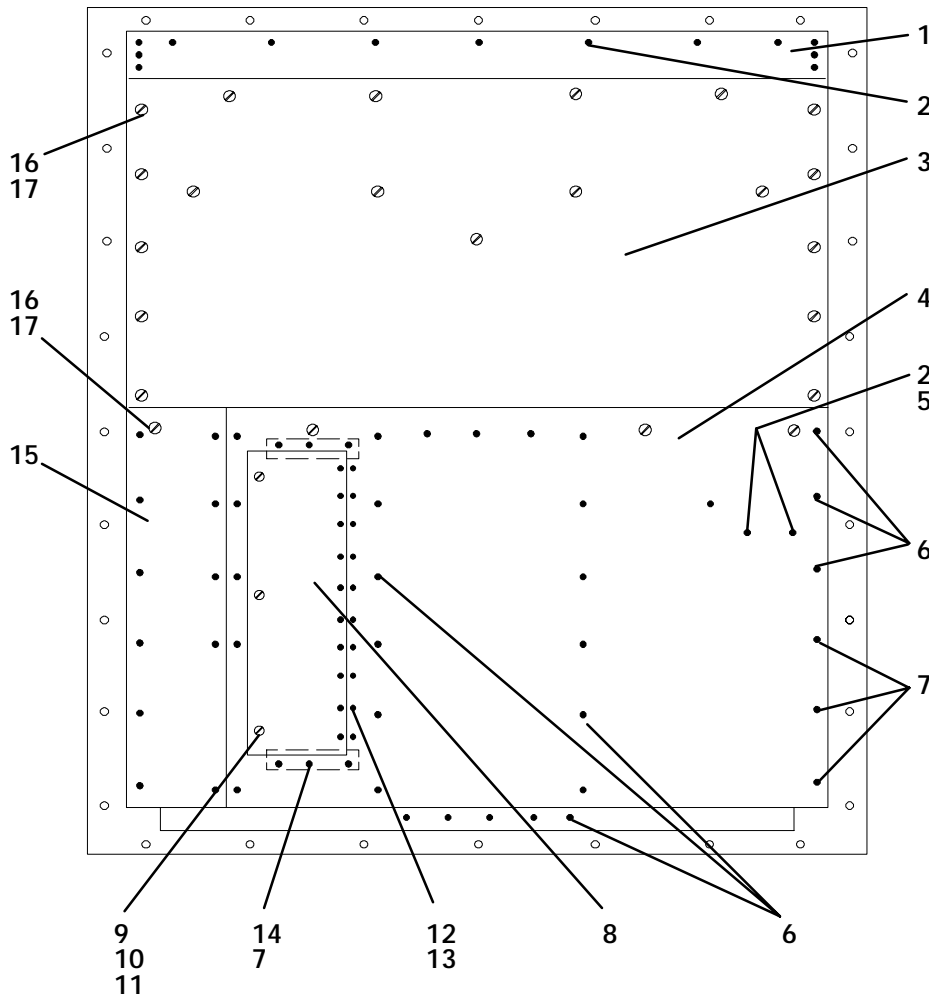
69NT40-449-29

ITEM	PART NO.	DESCRIPTION	QTY
3.12 EVAPORATOR COIL SECTION -- REAR PANELS REMOVED			
1	69NT20-553	Shield Assembly, Rain – Humidistat (NSI) – Optional	1
2	12-01066	Humidistat (HCS) (See Model Chart) – Optional	1
3	12-01119-00	Sensor Assembly (RRS)	1
4	12-00306-00	Sensor Assembly (RTS)	1
5	–	Sensor, Thermistor (Partlow) – Refer to Section 3.14	–
6	66U1-6912-8	Thermostat, Defrost (DTT), 75_F (24_C)	1
6	66U1-6912-13	Thermostat, Defrost (DTT), 75_F (24_C) 69NT40-459-4	1
7	34-01178-22	Capscrew, Hex Head, #8-32 x 1/2 lg – SST (NSI)	4
8	66U1-6912-7	Thermostat, High Temperature (HTT), 130_F (54_C)	1
9	AA06JA166	Capscrew, Hex Head, 1/4-20 x 1/2 lg (NSI)	1
10	AU11JR171	Washer, Lock, 1/4 – SST (NSI)	10
11	69NT42-968-1	Coil, Evaporator Does not include thermostats or heaters	1
NS	69NT35-6522	Retainer (For Heaters)	1
NS	69NT35-6532	Clip (For Heaters)	4
12	66U1-5361-25	Capscrew, Hex Head, 1/4-20 x 3/4 lg – SST (NSI)	9
13	66U1-5321-3	Washer, Flat, 1/4	A/R
14	66U1-7452-3	Screw, Lag, 1/4 x 2 lg	1
15	40-00489-00	Tee	1
16	24-00003	Heater, Drain Pan	1
17	22-02399-00	Dummy Receptacle	1
18	66U1-6835	Gasket	1
NS	69NT40-347-1	Sensor Assembly (USDA) (See Model Chart) – Includes:	–
19	22-02397-00	Connector Assembly (90_) – Includes:	1
20	NSS	Plug	1
21	NSS	Clamp, Cable	1
22	NSS	Bushing	4
*23	22-02397-04	Pin (Gold Plated)	4
24	22-02413-00	Cap and Chain	3
25	22-02412-00	Receptacle Interrogator – 5 Pin (ICR)	1
26	58-01256-00	Plug	1
*27	22-02398-02	Socket, Contact (Silver Plated)	A/R
*27	22-02398-03	Socket, Contact (Gold Plated)	A/R
28	22-02398-01	Receptacle – 4 Pin (PR1, PR2, PR3)	1
29	65-00144-00	Exchanger, Heat	1
30	34-00655-10	Screw, 1/4-20 x 1-1/4 lg – SST (NSI)	4
31	69NT35-2692-1	Washer, Fender, 1/16 Thick – SST (NSI)	4
32	66U1-2683-4	Heater	4
33	58-00616-00	Plug, Hole (2 inch diameter) (Located on Fan Deck)	1

* NOTE: Do not mix silver with gold pins and sockets.

ITEM	PART NO.	DESCRIPTION	QTY
------	----------	-------------	-----

3.13 EVAPORATOR COIL SECTION -- REAR PANELS ATTACHED



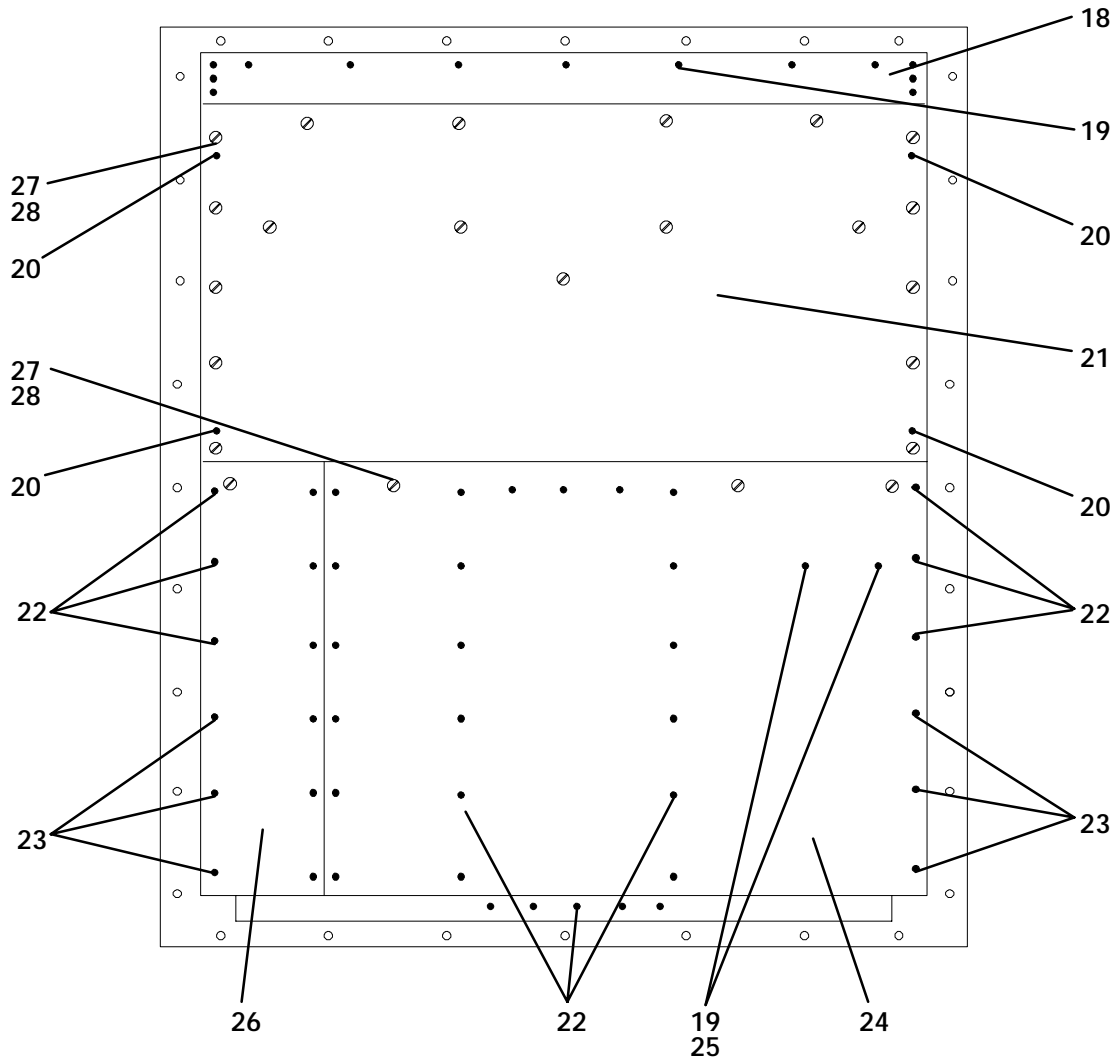
MODELS -- 69NT40-449-18,-21,-22,-23,-27,-28

UNITS WITH BOLTED PANELS

1	69NT40-614	Grille, Top	1
2	66U1-6832-1	Rivet, Blind, 5/16 Diameter, Grip Range – 1/8-1/4 (NSI)	A/R
3	69NT40-624-1	Panel Assembly, Upper – Includes:	1
NS	NSS	Drain Pan, Side	2
NS	NSS	Drain Pan, Center	1
4	69NT35-9744	Panel, Bottom	1
5	69NT35-2257	Duct, Air (Location – Behind Bottom Panel) (NSI)	1
6	66U1-6832-6	Rivet, Blind, 1/4 Diameter, Grip Range – 1/8-3/16 (NSI)	A/R
7	66U1-6832-3	Rivet, Blind, 1/4 Diameter, Grip Range – 3/16-1/4 (NSI)	A/R
8	69NT40-567	Door, Access – Includes:	1
NS	66U1-2803-8	Hinge	1
9	34-01150-04	Stud, 1/4 Turn	3
10	34-01150-30	Washer, Lock	3
11	34-01150-31	Receptacle, Retaining	3
12	34-00928-04	Rivet, Blind, 1/8 Diameter, Grip Range – 1/4-5/16 – SST (NSI)	20
13	69NT35-3772-3	Spacer, Hinge (NSI)	2
14	69NT35-6692	Plate (NSI)	1
15	69NT35-9744-2	Panel, Bottom, Side (For heat exchanger)	1
16	34-06153-00	Screw, Machine, Truss Head, #10-24 x 1/2 lg – SST (NSI)	19
17	69NT35-2692	Washer, Fender, #10 x 1.00 OD – SST (NSI)	19
NS	66U1-8075-F25	Gasket (25 ft, Cut to length)	A/R

ITEM	PART NO.	DESCRIPTION	QTY
------	----------	-------------	-----

3.13 EVAPORATOR COIL SECTION -- REAR PANELS ATTACHED (CONTINUED)



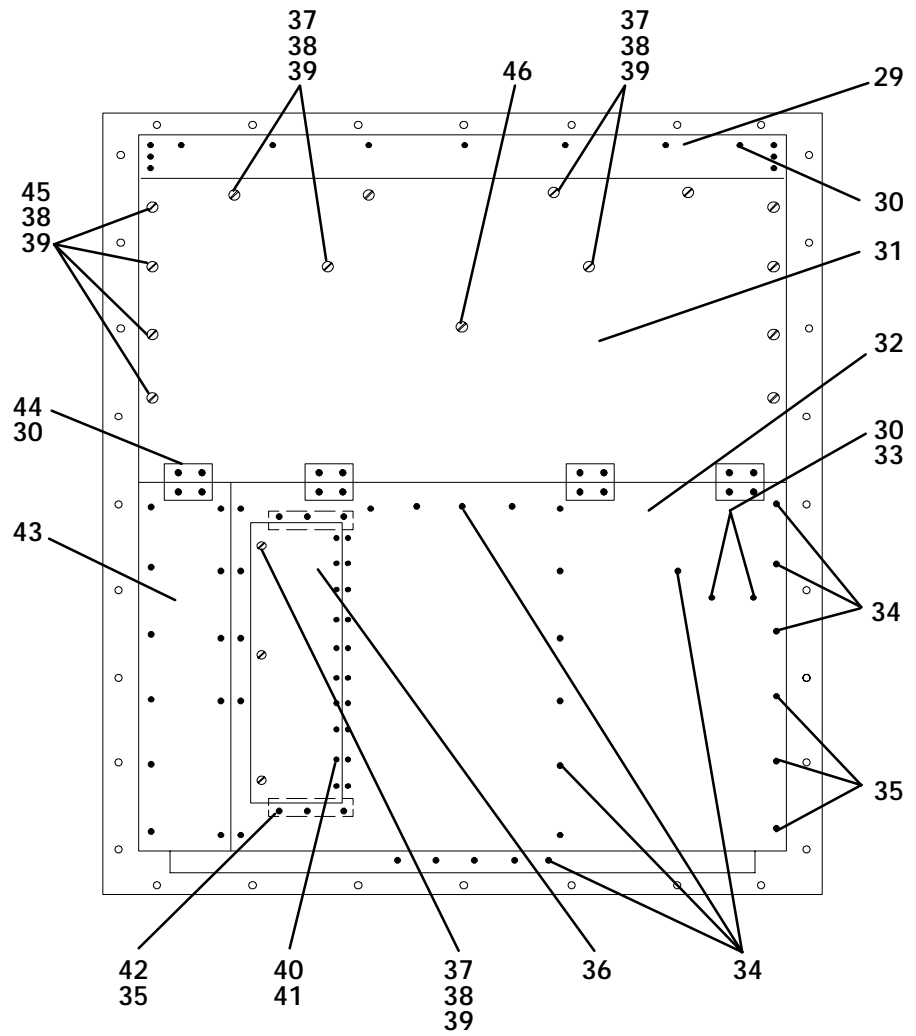
MODELS -- 69NT40-449-7,-17, -29 & 69NT40-459-4

UNITS WITH BOLTED PANELS

18	69NT40-614	Grille, Top	1
19	66U1-6832-1	Rivet, Blind, 5/16 Diameter, Grip Range – 1/8-1/4 (NSI)	A/R
20	66U1-7982-2	Rivet, TIR, 3/16 Diameter, Grip Range – 5/64-11/64 (NSI)	4
	69NT40-624-1	Panel Assembly, Upper – Includes:	1
NS	NSS	Drain Pan, Side	2
NS	NSS	Drain Pan, Center	1
22	66U1-6832-6	Rivet, Blind, 1/4 Diameter, Grip Range – 1/8-3/16 (NSI)	A/R
23	66U1-6832-3	Rivet, Blind, 1/4 Diameter, Grip Range – 3/16-1/4 (NSI)	A/R
24	69NT35-9744-3	Panel, Bottom	1
25	69NT35-2257	Duct, Air (Location – Behind Bottom Panel) (NSI) 69NT40-449-7,-17,-29	1
26	69NT35-9744-2	Panel, Bottom (Provision for heat exchanger location)	1
27	34-06153-00	Screw, Machine, Truss Head, #10-24 x 1/2 lg – SST (NSI)	19
28	69NT35-2692	Washer, Fender, #10 x 1.00 OD – SST (NSI)	19
NS	66U1-8075-F25	Gasket (25 ft, Cut to length)	A/R

ITEM	PART NO.	DESCRIPTION	QTY
------	----------	-------------	-----

3.13 EVAPORATOR COIL SECTION -- REAR PANELS ATTACHED (CONTINUED)

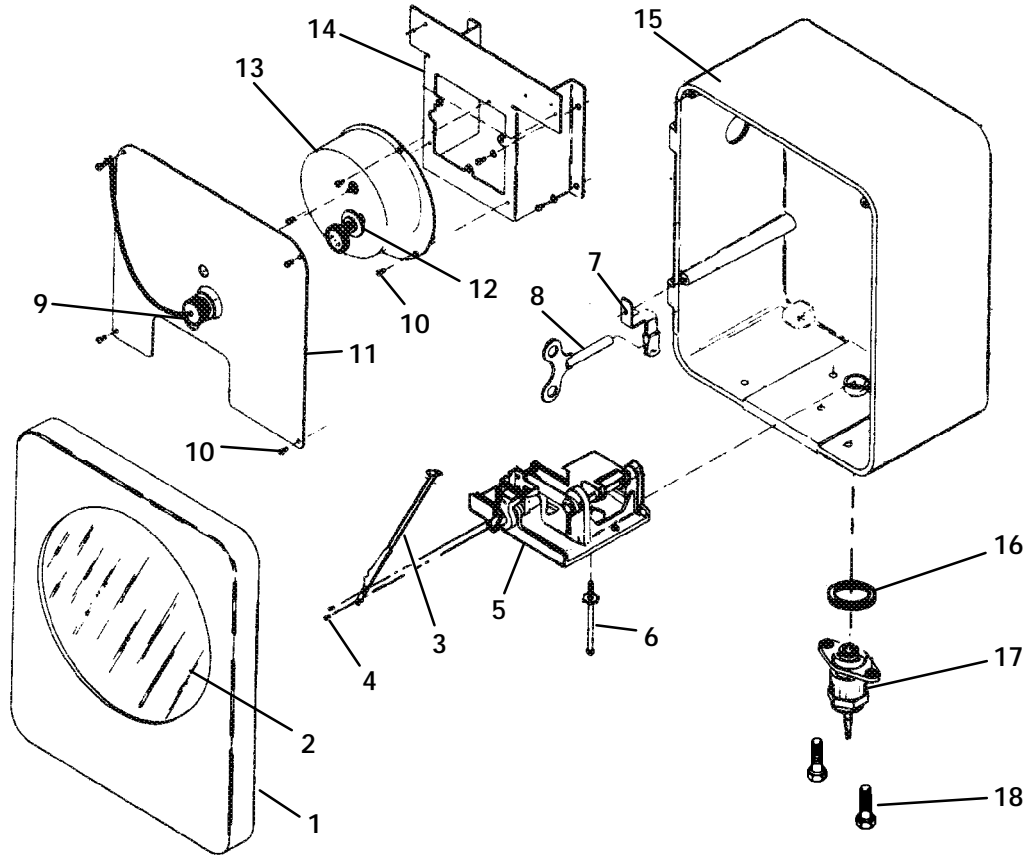


MODEL -- 69NT40-449-15
UNITS WITH HINGED PANELS

29	69NT40-614	Grille, Top	1
30	66U1-6832-1	Rivet, Blind, 5/16 Diameter, Grip Range – 1/8-1/4 (NSI)	31
31	69NT40-634	Panel, Upper – Includes:	1
NS	NSS	Drain Pan, Center	1
NS	NSS	Drain Pan, Side	2
32	69NT35-9744	Panel, Bottom	1
33	69NT35-2257	Duct, Air (Location – Behind Bottom Panel) (NSI)	1
34	66U1-6832-6	Rivet, Blind, 1/4 Diameter, Grip Range – 1/8-3/16 (NSI)	23
35	66U1-6832-3	Rivet, Blind, 1/4 Diameter, Grip Range – 3/16-1/4 (NSI)	12
36	69NT40-567	Door, Access – Includes:	1
NS	66U1-2803-8	Hinge	1
37	34-01150-04	Stud, 1/4 Turn, 0.97 lg	9
38	34-01150-30	Washer, Retaining	18
39	34-01150-31	Receptacle, Retaining	15
40	34-00928-04	Rivet, Blind, 1/8 Diameter, Grip Range – 1/4-5/16 (NSI)	20
41	69NT35-7662-1	Spacer, Hinge (NSI)	2
42	69NT35-6692	Plate, Stiffener (NSI)	2
43	69NT35-9744-2	Plate, Bottom, Side (For Heat Exchanger access)	1
44	69NT35-3282	Hinge	4
45	34-01150-04	Stud, 1/4 Turn, 0.97 lg	8
46	34-01150-06	Stud, 1/4 Turn, 1.06 lg	1

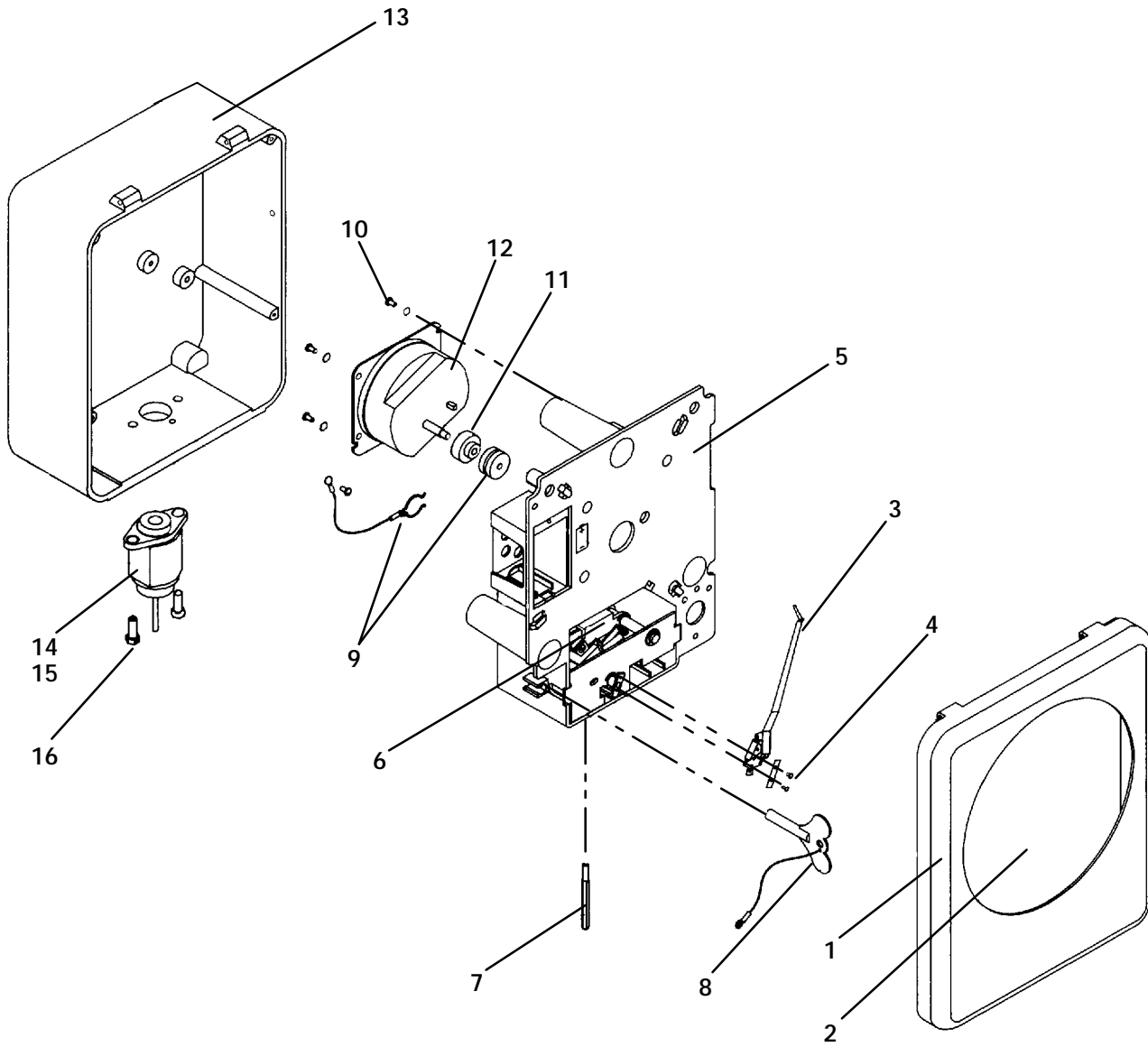
ITEM	PART NO.	DESCRIPTION	QTY
------	----------	-------------	-----

3.14 RECORDING THERMOMETER (PARTLOW) -- PRIOR TO SERIAL NUMBER 90237090



-	12-01076-00	Recording Thermometer (See Model Chart) – Includes:	1
1	09-00265-00	Cover Assembly (Bottom Latch) – Includes:	1
NS	09-00100-01	Seal, Cover – Rubber	1
NS	09-00100-02	Gasket, Cover Glass	1
2	09-00101	Glass, Cover	1
NS	09-00102	Catch Assembly, Cover	2
3	09-00104-05	Kit, Stylus – Includes:	1
4	NSS	Screw, Round Head, #2-56 x 3/16 lg	2
5	09-00147	Mechanism Assembly	1
6	09-00112	Rod, Push (Includes Setscrews)	1
7	09-00115	Clip, Key Mounting	1
8	09-00114	Key, Clock Winding	1
9	09-00119	Nut and Chain, Chart (Sonceboz Clock)	1
9	09-00180-00	Nut and Chain, Chart (Gluck Clock)	1
10	PL	Screw, Round Head #6-32 x 5/16	7
11	09-00116	Platen, Chart	1
12	09-00118	Flange, Chart Drive (Sonceboz)	1
12	09-00180-01	Flange, Chart Drive (Gluck)	1
13	09-00123	Clock, 31 Day, CCW (Counterclockwise)	1
14	09-00132	Stand, Mounting, Chart Drive	1
15	09-00267-00	Case (Top Hinge)	1
16	09-00137	O-Ring, Element Flange	4
17	09-00209	Element, 9 ft lg – Includes:	1
NS	09-00222	Sensor, Thermistor (Accessory 344 and Jack) – 15 ft lg	1
NS	22-02243	Pin (Use with Partlow Thermistor Assembly)	3
18	09-00136	Screw, Flange (NSI)	2
NS	09-00128	Charts _F – 31 Day (Box of 50) (-20_F to +80_F)	A/R
NS	09-00128-01	Charts _C – 31 Day (Box of 50) (-25_C to +25_C)	A/R
NS	44-50006-00	Kit, Hinge Replacement – Includes:	1
NS	NSS	Hinge	1
NS	NSS	Hardware, Mounting	1

3.15 RECORDING THERMOMETER (PARTLOW) -- STARTING WITH SERIAL NUMBER 90237090

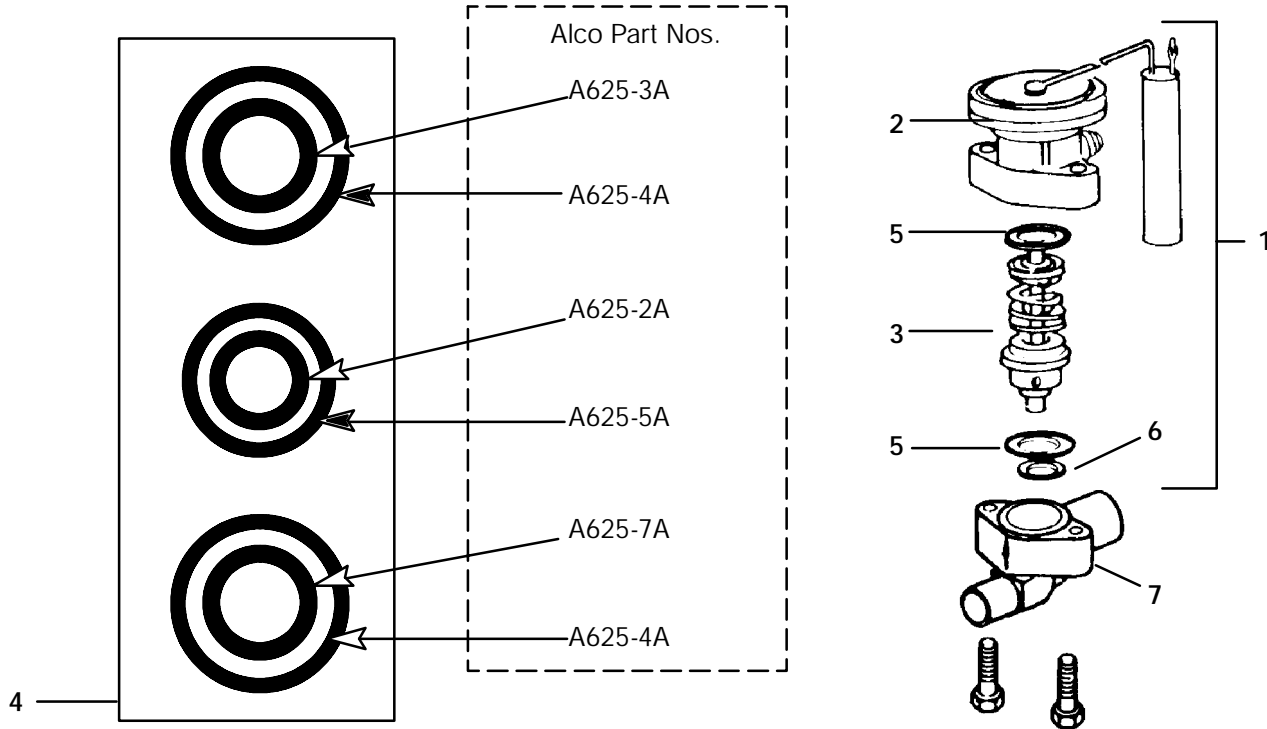


ITEM	PART NO.	DESCRIPTION	QTY
3.15 RECORDING THERMOMETER (PARTLOW) -- STARTING WITH SERIAL NUMBER 90237090			
* -	12-00348-00	Recording Thermometer – Includes:	1
1	09-00265-00	Cover Assembly (Bottom Latch) – Includes:	1
NS	09-00100-01	Seal, Cover – Rubber	1
NS	09-00100-02	Gasket, Cover Glass	1
2	09-00101	Glass, Cover	1
NS	09-00102	Catch Assembly, Cover	2
3	09-00104-05	Kit, Stylus – Includes:	1
4	NSS	Screw, Round Head, #2-56 x 3/16 lg	2
5	09-00296	Mechanism and Platen Assembly	1
6	09-00297	Main Lever and Push Rod Assembly (Includes Setscrews)	1
7	09-00298	Rod, Push	1
8	09-00114	Key, Clock Winding	1
9	09-00119	Nut and Chain, Chart (Sonceboz Clock)	1
9	09-00180-00	Nut and Chain, Chart (Gluck Clock)	1
10	PL	Screw, Round Head #6-32 x 5/16	7
11	09-00118	Flange, Chart Drive (Sonceboz)	1
11	09-00180-01	Flange, Chart Drive (Gluck)	1
12	09-00123	Clock, 31 Day, CCW (Counterclockwise)	1
13	09-00299	Case (Top Hinge)	1
14	09-00137	O-Ring, Element Flange	4
15	09-00209	Element, 9 ft lg – Includes:	1
NS	09-00222	Sensor, Thermistor (Accessory 344 and Jack) – 15 ft lg	1
NS	22-02243	Pin (Use with Partlow Thermistor Assembly)	3
16	09-00136	Screw, Flange (NSI)	2
NS	09-00128	Charts _F – 31 Day (Box of 50) (–20_F to +80_F)	A/R
NS	09-00128-01	Charts _C – 31 Day (Box of 50) (–25_C to +25_C)	A/R

* Mounting Kit 76-50041 must be used if Partlow Recorder P/N 12-01076-00 is replaced with Partlow Recorder P/N 12-00348-00 on units prior to S/N 90237090.

ITEM	PART NO.	DESCRIPTION	QTY
------	----------	-------------	-----

3.16 THERMOSTATIC EXPANSION VALVE -- Alco

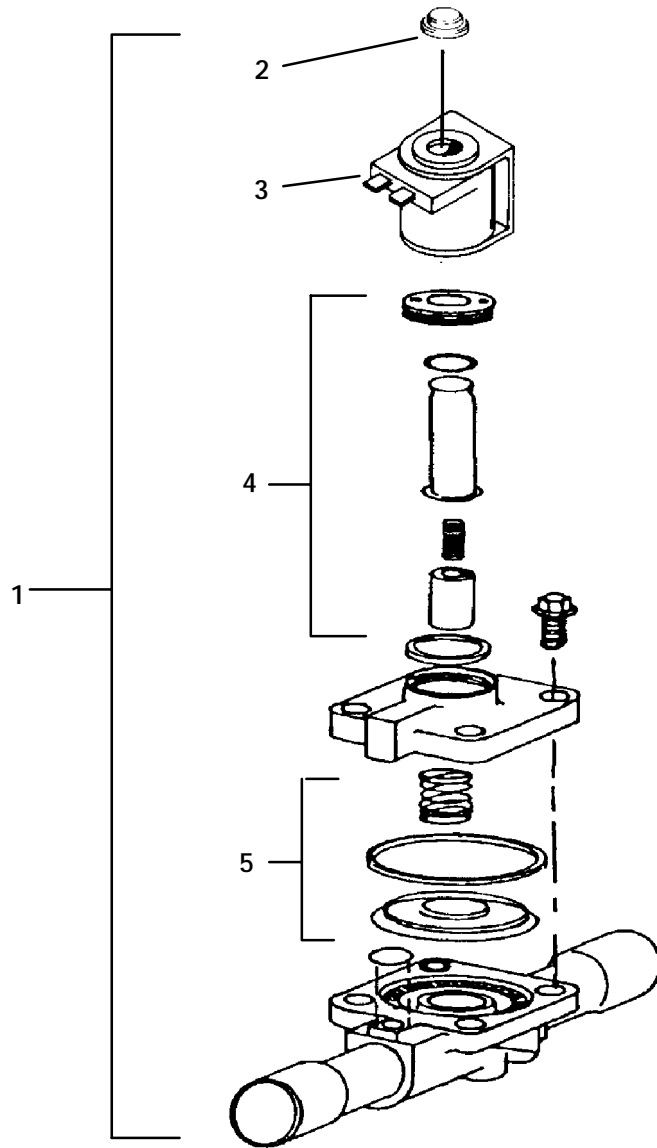


1	14-01104-12	Kit, Repair – Includes:	1
2	NSS	Power Head Assembly and Gasket, Item 5	1
3	NSS	Cage Assembly and Gasket, Item 6	1
4	66U1-6225	Gasket Set, Universal – Includes:	1
5	NSS	Gasket, Body Flange A625-4A	2
6	NSS	Gasket, Seat – A625-2A	1
7	66U1-1214-13	Flange, Body (NSI)	1
NS	40-00529-00	Coupling, M8 – Brass – Includes:	1
NS	40-00520-02	Cap, Service Port	1

ITEM	PART NO.	DESCRIPTION	QTY
------	----------	-------------	-----

3.17 SUCTION SOLENOID VALVE

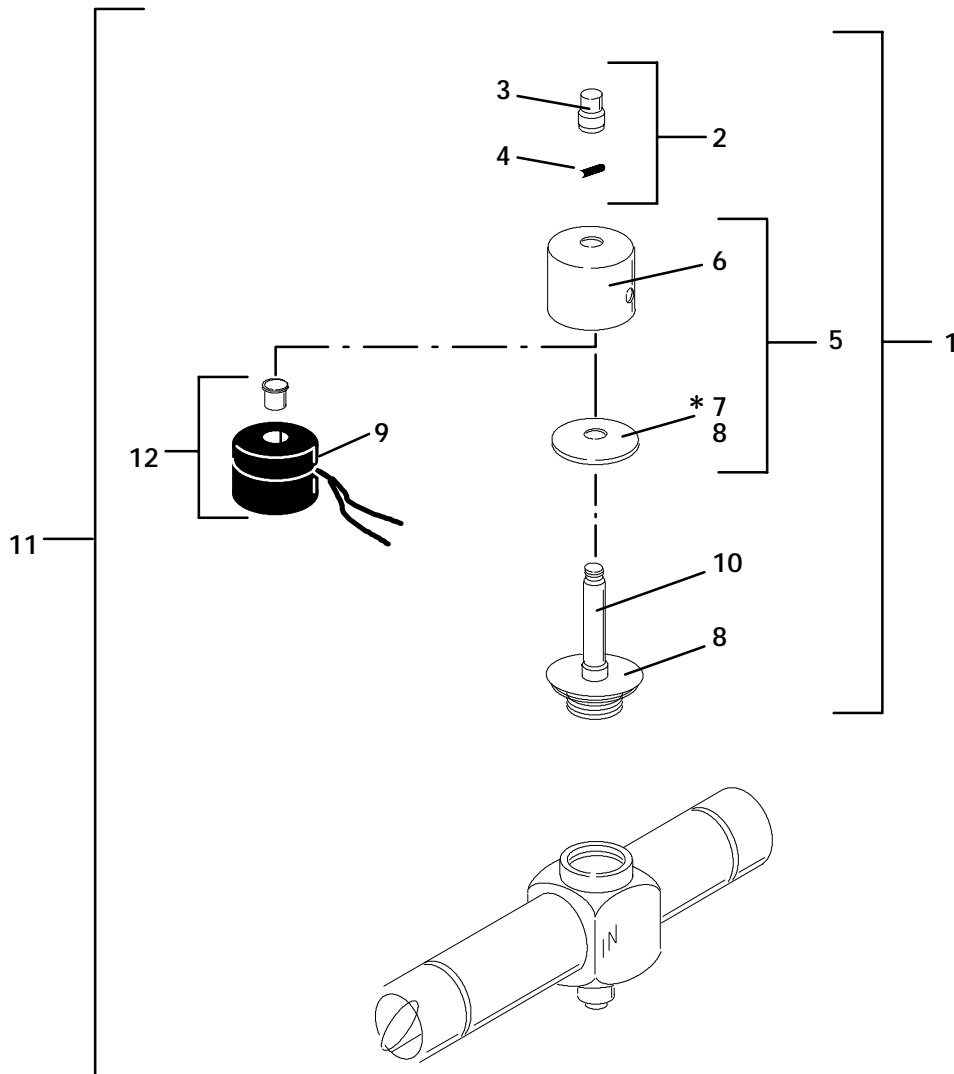
ALCO



1	14-00192-00	Solenoid Valve, Suction – Includes:	1
2	17-40408-02	Cap, Snap	1
3	14-50027-00	Coil	1
4	14-50025-00	Kit, Repair	1
5	14-50026-00	Kit, Repair Diaphragm	1

ITEM	PART NO.	DESCRIPTION	QTY
------	----------	-------------	-----

3.18 MODULATING SOLENOID VALVE

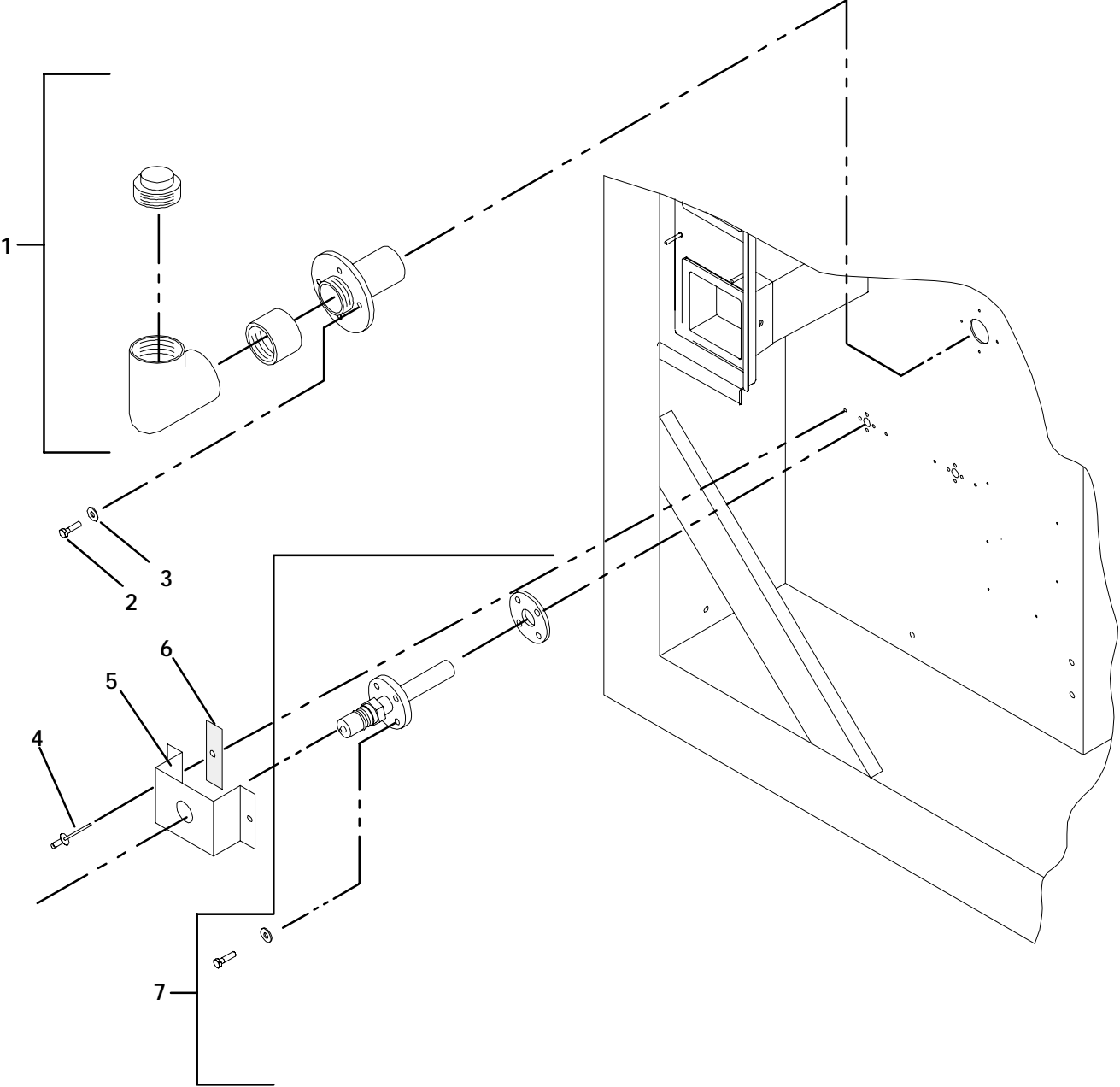


1	14-50021-01	Kit, Enclosing Tube & Coil Housing – Includes:	1
2	14-50021-03	Nut, Coil – Includes:	1
3	NSS	Nut, Coil	1
4	NSS	O-Ring, Coil Nut	1
5	14-50021-04	Housing, Coil – Includes:	1
6	NSS	Housing, Coil	1
*7	NSS	Plate, Coil Bottom	1
8	NSS	O-Ring, Coil Bottom Plate	1
9	NSS	Sleeve, Solenoid Coil	1
10	NSS	Tube Assembly, Coil Plate & Enclosing	1
11	14-01100-01	Valve, Modulating Solenoid – Includes:	1
12	14-50021-02	Coil, Solenoid – Includes:	1
9	NSS	Sleeve, Solenoid Coil	1

* NOTE: Coil bottom plate is only supplied in Kit 14-50021-04 as a separate item for use on early style enclosing tube assemblies.

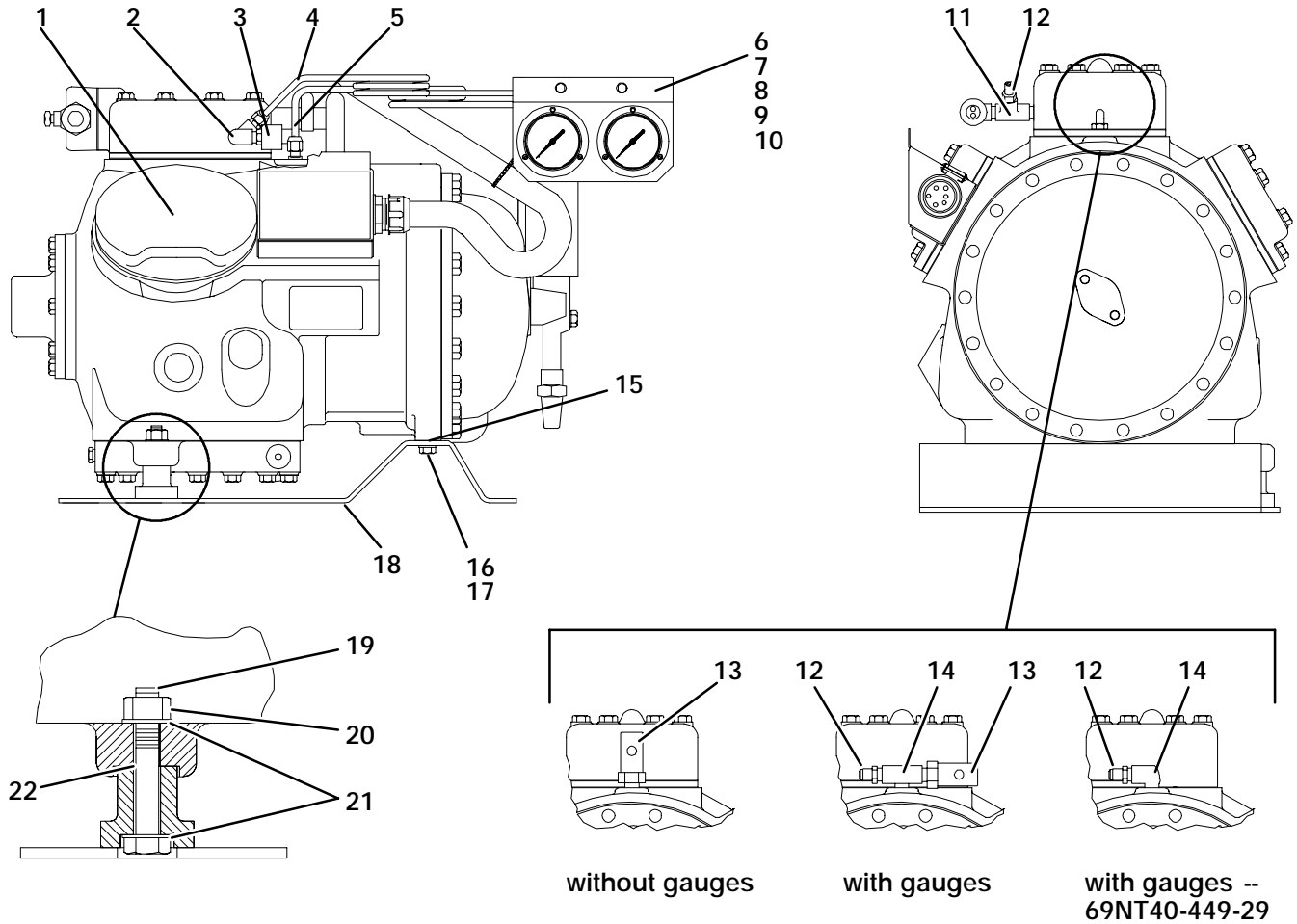
ITEM	PART NO.	DESCRIPTION	QTY
------	----------	-------------	-----

3.19 NITROGEN FEED



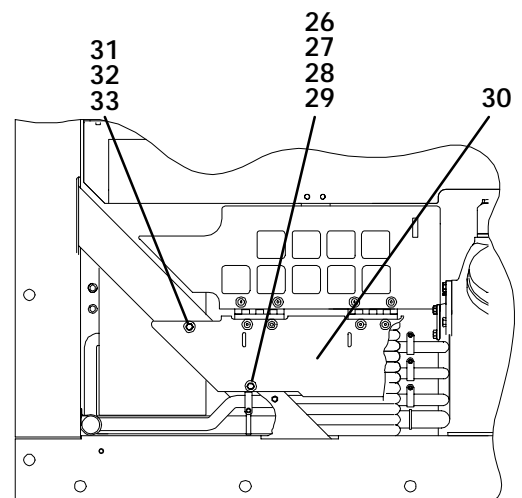
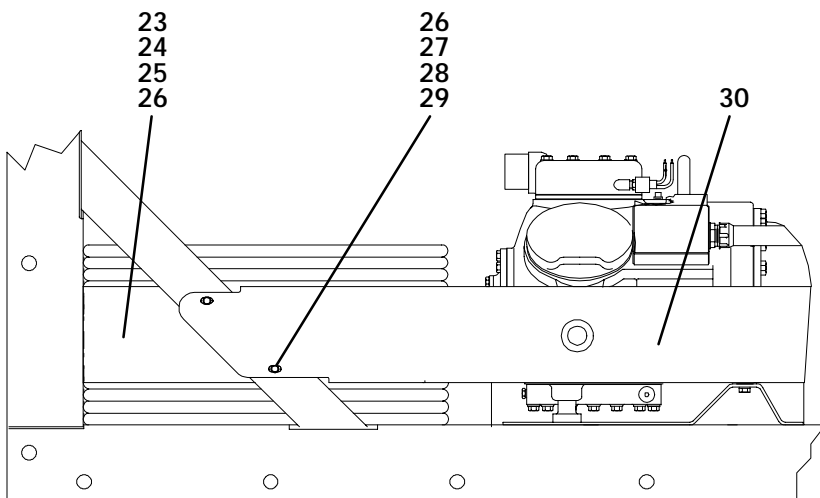
1	-	Valve Assembly, Pressure Relief – Customer Supplied	1
2	66U1-5371-8	Screw, Hex Head, 1/4-20 x 1.00 lg – SST (NSI)	4
3	66U1-5321-7	Washer, Flat, 1/4 – SST	8
4	69NT35-8012-1	Rivet, Blind, 5/32 Diameter, Grip Range 3/16 - 1/4 – SST (NSI)	4
5	-	Bracket Assembly – Customer Supplied	2
6	58-00989-03	Protector, Mylar (NSI)	4
7	-	Tube Assembly, Nitrogen Feed – Customer Supplied	2

3.20 COMPRESSOR MOUNTING AND GAUGES



COMPRESSOR FOOT CUTAWAY VIEW

CENTER CYLINDER HEAD VIEW



UNIT SECTIONAL VIEW

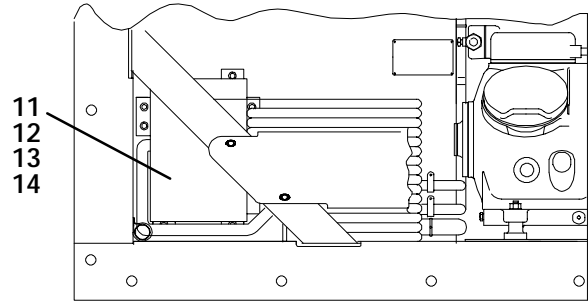
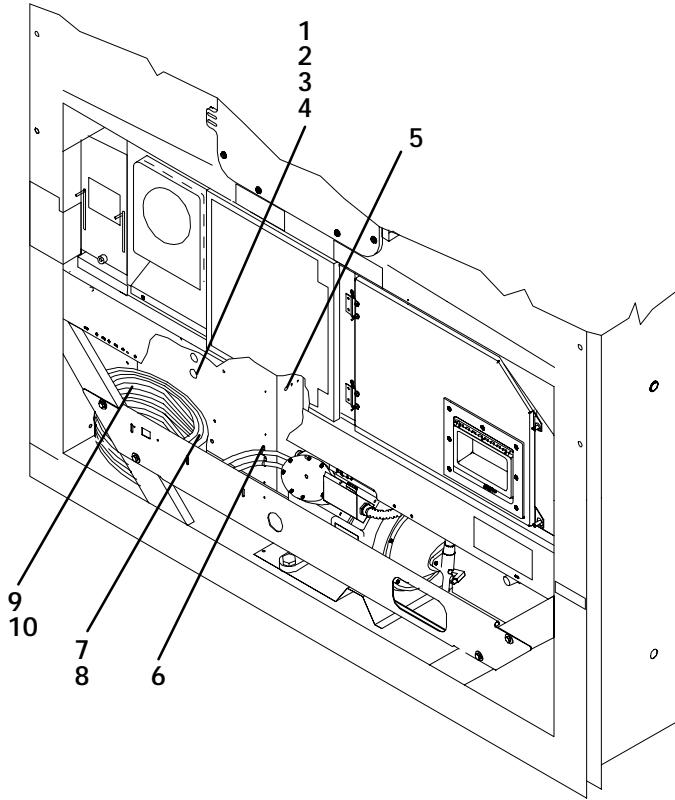
69NT40-449-7, -28 & 69NT40-459-4

ITEM	PART NO.	DESCRIPTION	QTY
3.20 COMPRESSOR MOUNTING AND GAUGES			
1	–	Compressor – Refer to Section 5	–
2	14-01093-00	Snubber Assembly	1
3	66U1-6942-6	Switch, High Pressure	1
4	69NT41-543	Tube Assembly, High Pressure	1
5	69NT41-553	Tube Assembly, Low Pressure	
6	69NT40-942	Stiffener Assembly	1
NS	66U1-5371-6	Screw, Hex Head, #10-24 x 3/4 lg – SST	} Used to mount stiffener assembly
NS	66U1-5321-8	Washer, Flat, #10 – SST (NSI)	
7	69NT40-912	Bracket Assembly, Gauge – Optional	1
8	12-01124-01	Gauge, Suction Pressure – Optional	1
9	12-01125-01	Gauge, Discharge Pressure – Optional	1
10	34-06053-05	Washer, Mylar, 0.205 ID x 0.600 OD	2
11	CA21JA051	Tee, 1/4 npt (NSI)	} Used with Pressure Gauge
12	06DA403-844	Valve Assembly, Core, Check – Brass	
13	14-00195-02	Valve, Pressure Relief – Low Side	1
14	40-00249-01	Tee, Male, 1/4 fpt x 1/4 fpt x 1/4 mpt – Brass	1
14	40-00060-02	Elbow, 1/4 mpt x 1/4 fpt – Brass 69NT40-449-29	1
15	69NT35-6132	Protector (Compressor to Compressor Base)	1
16	AU11JR241	Washer, Lock, 3/8 – SST	2
17	AA06JA232	Capscrew, Hex Head, 3/8-16 x 1-1/4 lg – SST (NSI)	2
18	69NT43-108	Base, Compressor	1
NS	66U1-5361-7	Bolt, Hex Head, 3/8-16 x 1.00 lg – SST (NSI)	} Used to mount compressor base to unit frame
NS	66U1-5321-5	Washer, Flat, 3/8 – SST (NSI)	
NS	AU11JR241	Washer, Lock, 3/8 – SST	
NS	58-50013-00	Washer, Mylar, 3/8 ID x 1.00 OD	
19	34-00849-22	Capscrew, 7/16-14 x 2-3/4 lg – SST (NSI)	2
20	34-00667-14	Locknut, 7/16-14 – SST (NSI)	2
21	66U1-5321	Washer, Flat, 7/16 – SST	4
22	58-50013-01	Washer, Mylar, 1/2 ID x 1-1/8 OD	2
23	69NT35-3573	Panel, Guard (NSI)	1
23	69NT35-1337	Panel, Guard (NSI) 69NT40-459-4	1
24	PL	Screw, Hex Head, #10-24 x 3/4 lg – SST	1
25	PL	Washer, Flat, #10 – SST	1
26	58-50013-02	Washer, Mylar, 1/4 ID x 3/4 OD	A/R
27	66U1-5361-11	Capscrew, Hex Head, 1/4-20 x 1-1/2 lg – SST (NSI)	A/R
28	34-00667-11	Locknut, 1/4-20 – SST (NSI)	A/R
29	66U1-5321-7	Washer, Flat, 1/4 – SST	A/R
30	69NT35-3104-1	Guard, Compressor	1
30	69NT35-3218	Guard, Compressor 69NT40-449-7* , -28, -29 & 69NT40-459-4	1
30	69NT35-2687	Guard, Compressor 69NT40-449-7**,-15,-17	1
31	66U1-5361-39	Capscrew, Hex Head, 5/16-18 x 1.00 lg – SST (NSI)	1
32	66U1-5321-4	Washer, Flat, 5/16 – SST	1
33	58-50013-00	Washer, Mylar, 3/8 ID X 1.00 OD	1
NS	07-00292-00	Oil, Compressor (Quart)	A/R

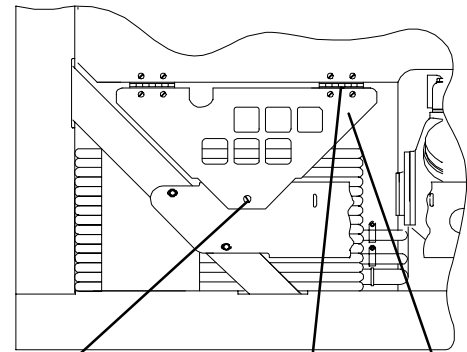
* **STARTING WITH SERIAL #90222437**

** **PRIOR TO SERIAL #90222437**

3.21 VOLTAGE OPTIONS



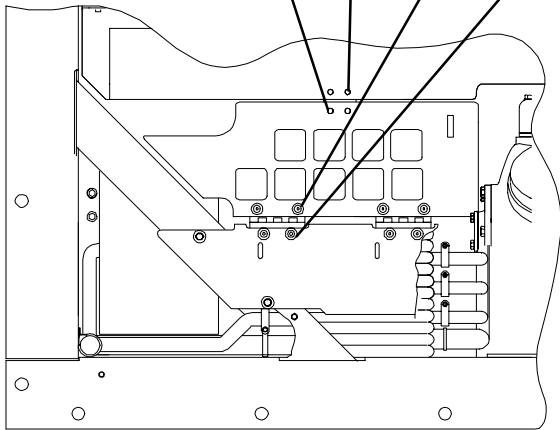
Power Transformer Option



- 20
21
29

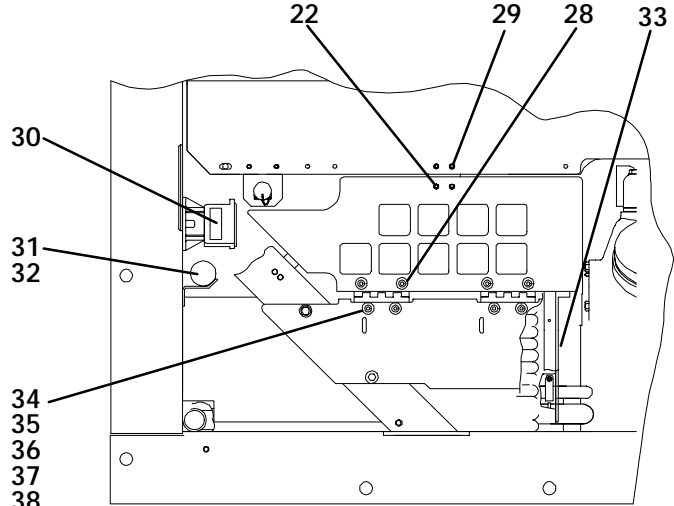
69NT40-449-15,-17
69NT40-449-7 Prior to Serial #90222437

- 17
18
19
20
21
22
23
24
25
26
27
28
29
34
35
36
37
38



69NT40-449 -28
69NT40-449-7 Starting with Serial #90222437

- 17
18
19
20
21
22
17
18
19
24
25
29
23
24
25
26
27
28
33



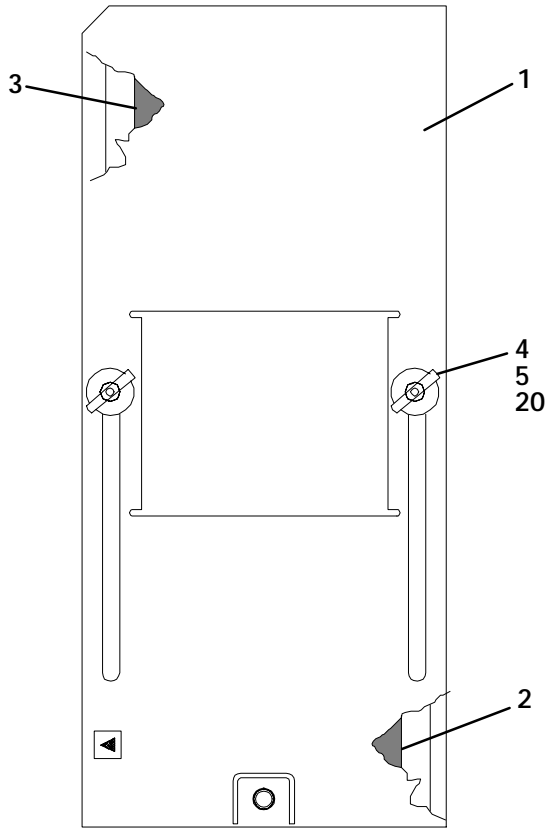
69NT40-459-4

ITEM	PART NO.	DESCRIPTION	QTY
3.21 VOLTAGE OPTIONS			
1	58-01214-00	Plug, Hole, Dupont Zytel (For 3/8 to 13/32 diameter hole)	A/R
1	69NT35-8382	Retaining Clip, Cable – 69NT40-449-29	1
2	58-04026-22	Protector, Mylar	1
3	AU11JR171	Washer, Lock, 1/4 – SST	2
4	AA06JA170	Screw, Hex Head, 1/4-20 x 1.00 lg	2
5	58-01213-00	Plug, Hole, Nylon – Black (For 1/4 diameter hole in doghouse wall)	A/R
6	34-06053-05	Washer, Mylar	16
7	22-01551-00	Cable, Power (460 vac) (NSI)	A/R
7	66U1-9782	Cable, Power (460 vac) (NSI)	A/R
8	22-02378-00	Plug, Power (460 vac) Mennekes 69NT40-449-7,-15,-17,-27,-28,-29	1
NS	22-02324-05	Bushing (For P/N 22-02378-00) (NSI)	4
8	22-01571-00	Plug, Power (460 vac) 69NT40-459-4 (NSI)	1
NS	22-02324-01	Bushing (For P/N 66U1-2443 & 22-01571-00) (NSI)	4
9	66U1-9782-1	Cable, Power (230 vac) (NSI)	A/R
10	66U1-6782-3	Plug, Power (230 vac) (NSI) 69NT40-449-7	A/R
NS	22-02324-02	Bushing (For P/N 66U1-6782-3) (NSI)	4
11	76-00365-01	Transformer, Power (See Model Chart)	1
12	69NT35-777	Bracket Assembly, Transformer (NSI)	1
13	34-00667-12	Locknut, Hex Head, 5/16-18 – SST (NSI)	} Used to mount Transformer } Bracket Assembly
14	34-01181-01	Washer, Flat, 5/16 – SST (NSI)	
15	69NT41-724-3	Cover Assembly w/Latch, Cable Storage (Swing Up)	
		69NT40-449-7**,-15,-17 – Includes:	1
16	69NT35-5262	Hinge	2
17	34-06126-08	Screw, Hex Head, #4-40 x 1/2 lg – SST (NSI)	2
18	34-00662-05	Washer, Flat, #4 –SST (NSI)	2
19	34-00667-05	Locknut, Hex Head, #4-40 (NSI)	2
20	34-06053-08	Washer, Mylar, 1/8 ID x 3/8 OD (NSI)	2
21	44-00340-02	Latch	1
22	69NT41-724-4	Cover Assembly w/Latch, Cable Storage (Swing Down)	
		69NT40-449-7*,-28 & 69NT40-459-4 – Includes:	1
17	34-06126-08	Screw, Hex Head, #4-40 x 1/2 lg – SST (NSI)	2
18	34-00662-05	Washer, Flat, #4 –SST (NSI)	4
19	34-00667-05	Locknut, Hex Head, #4-40 (NSI)	2
20	34-06053-08	Washer, Mylar, 1/8 ID x 3/8 OD (NSI)	2
21	44-00340-02	Latch	1
23	69NT35-8032	Hinge	2
24	66U1-2403	Screw, Truss Head, #10-24 x 1/2 lg – SST (NSI)	4
25	66U1-5321-8	Washer, Flat, #10 (NSI)	4
26	34-00667-09	Locknut, Hex Head, #10-24 – SST (NSI)	4
27	34-06053-05	Washer, Mylar, 3/16 ID x 5/8 OD	4
28	58-04001-02	Protector, Mylar (NSI)	2
29	44-00340-05	Latch, Catch (Located on compressor guard)	
		69NT40-449-7,-15,-17,-28 & 69NT40-459-4	1
30	22-01561-01	Receptacle, Dummy (For Power Plug)	1
31	69RN40-863-1	Holder, Document (NSI)	1
32	58-00024-23	Cap, Document Holder (NSI)	2
33	69NT41-473	Panel Assembly, Cable Storage	1
34	58-04001-01	Protector, Mylar (NSI)	1
35	34-06053-05	Washer, Mylar, 3/16 ID x 5/8 OD	2
36	34-01167-01	Retainer, Nut	1
37	66U1-2408	Screw, Truss Head, #10-24 x 1/2 lg – SST (NSI)	2
38	66U1-5321-8	Washer, Flat, #10 (NSI)	2

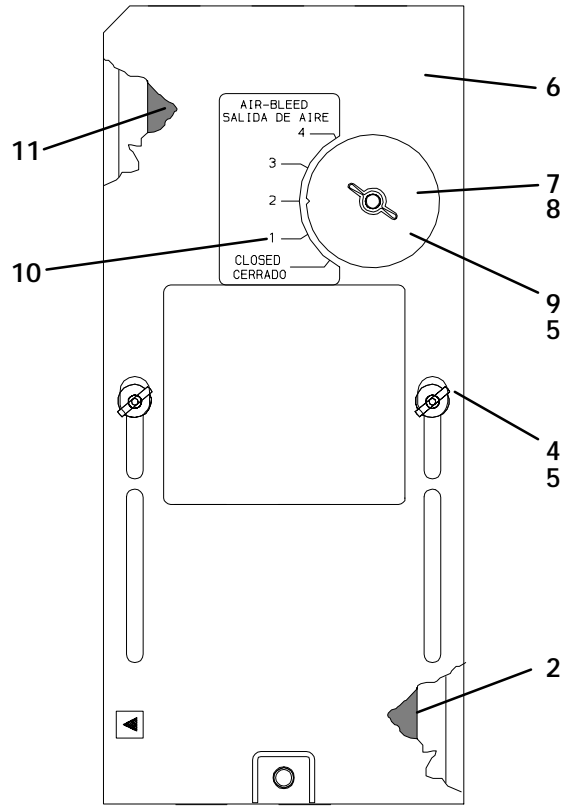
* **STARTING WITH SERIAL #90222437**

** **PRIOR TO SERIAL #90222437**

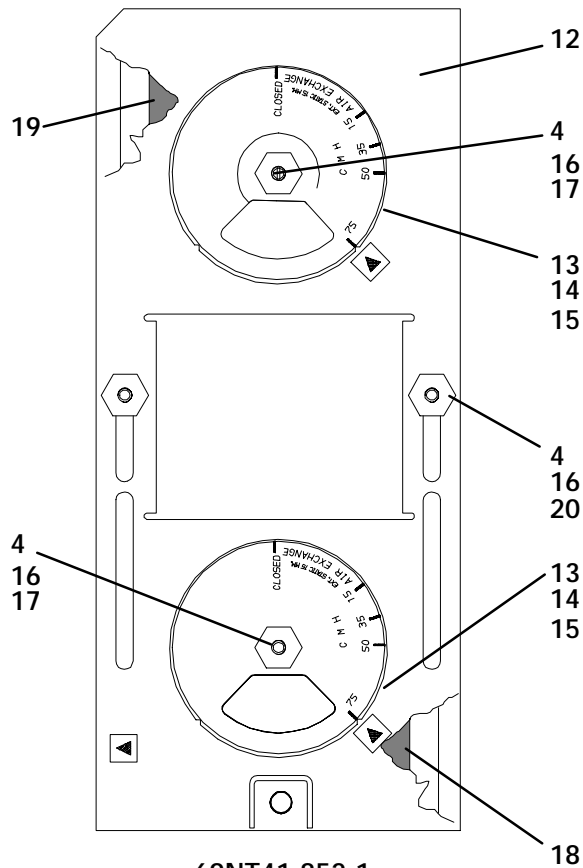
3.22 FRESH AIR MAKEUP VENT



69NT41-852



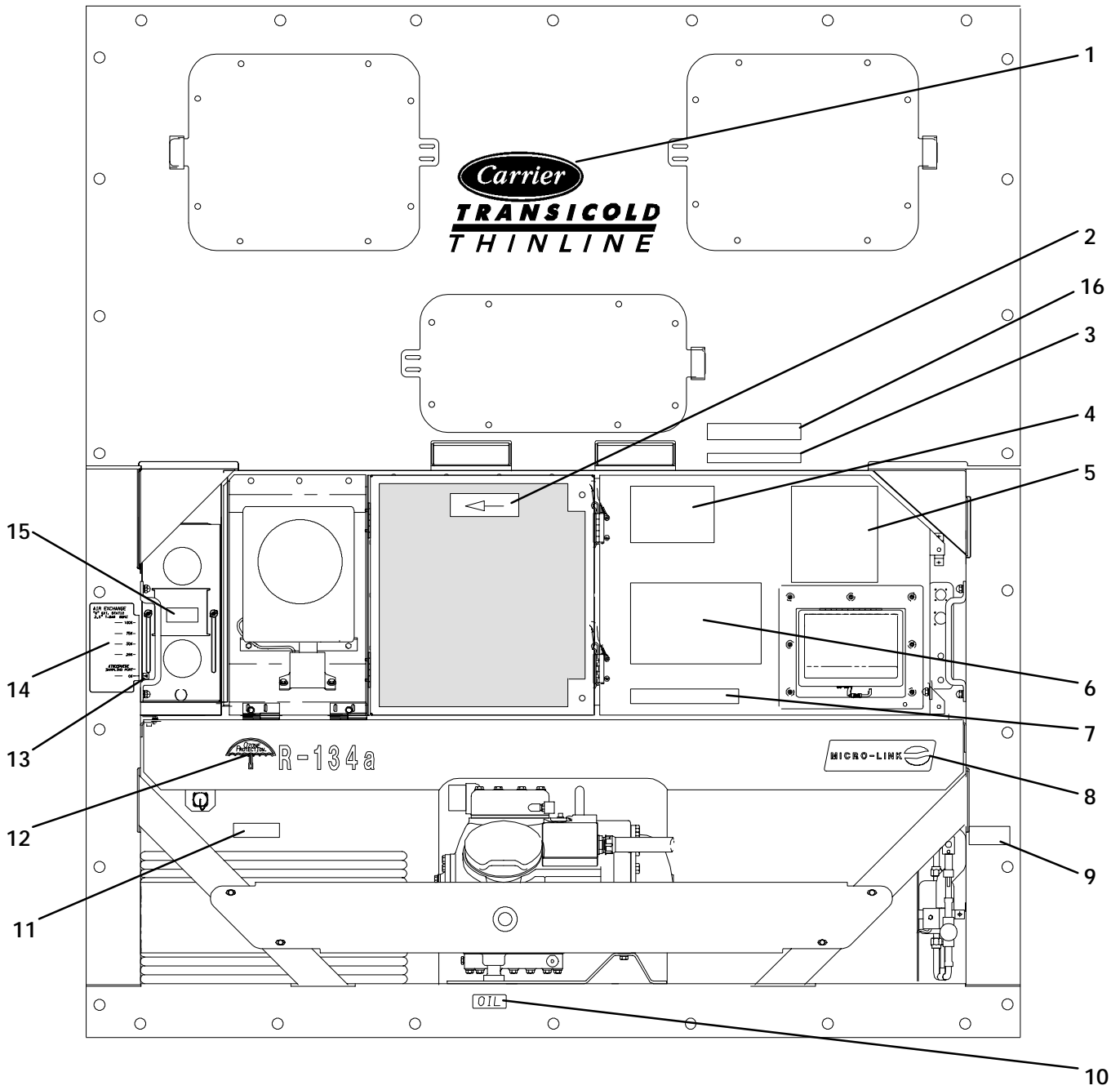
69NT40-976-5



69NT41-852-1

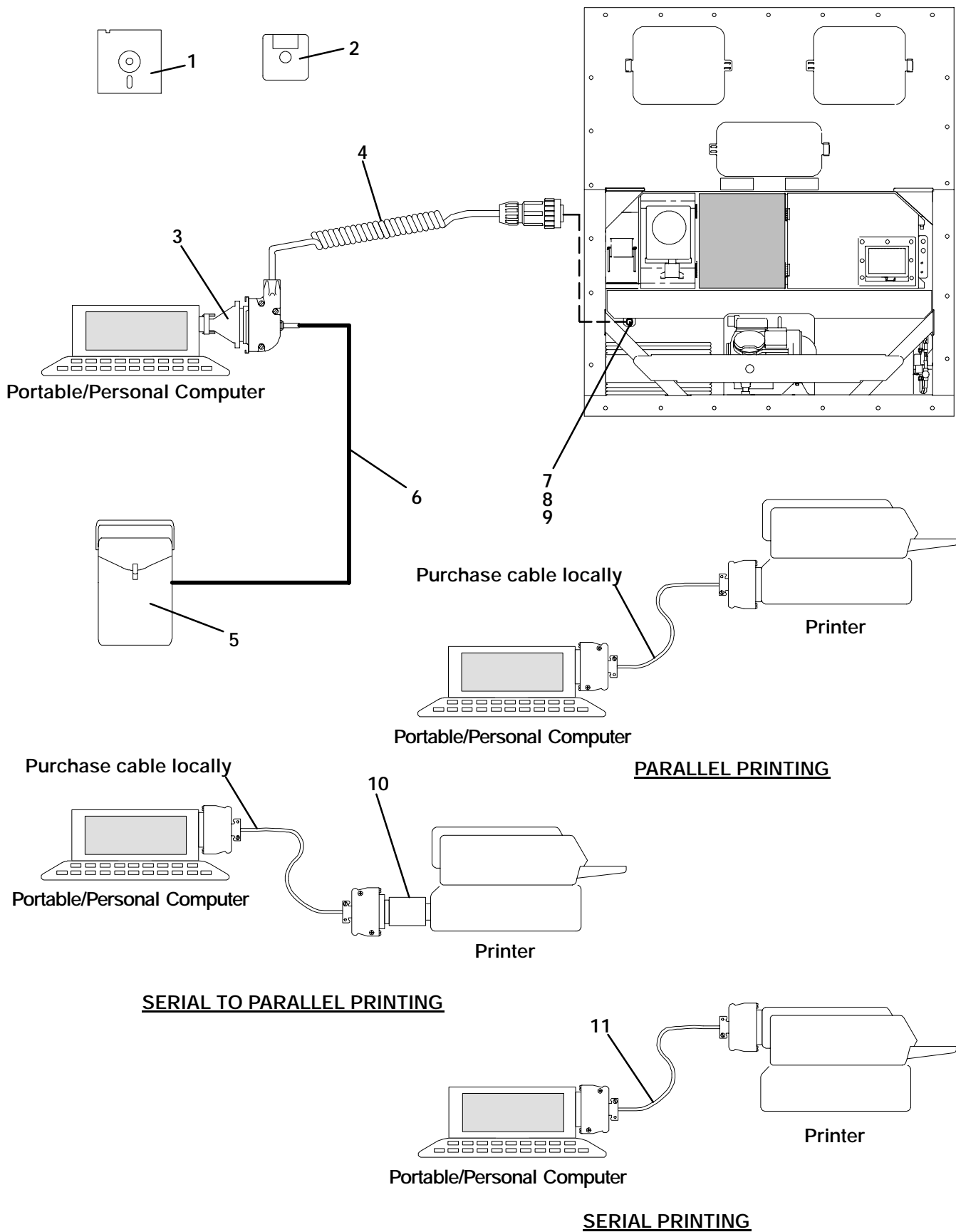
ITEM	PART NO.	DESCRIPTION	QTY
3.22 FRESH AIR MAKEUP VENT			
1	69NT41-852	Cover, Fresh Air Makeup – Includes:	1
2	42-00295-02	Gasket, Cover (NSI)	1
3	42-00295-03	Gasket, Cover (NSI)	1
4	66U1-5321-7	Washer, Flat, 1/4 – SST	1
5	66U1-5362-1	Nut, Wing, 1/4-20 – SST	1
6	69NT40-976-5	Cover, Fresh Air Makeup 69NT40-459-4 – Includes:	1
7	69NT40-976-6	Cover Assembly, Air Bleed – Includes:	1
8	42-00292-00	Gasket, Air Exchange	1
2	69NT35-2322-5	Gasket, Cover (NSI)	1
4	66U1-5321-7	Washer, Flat, 1/4 – SST	1
5	66U1-5362-1	Nut, Wing, 1/4-20 – SST	1
9	69NT35-2322-5	Gasket, Cover (NSI)	1
10	69NT35-3037	Label, Air Bleed (NSI)	1
11	69NT35-2322-12	Gasket, Cover (NSI)	1
12	69NT41-852-1	Cover, Fresh Air Makeup (With Air Bleed) 69NT40-449-18,-27,-29 – Includes:	1
13	69NT40-976-3	Cover Assembly, Air Bleed – Includes:	2
14	42-00233-00	Gasket, Air Exchange (NSI)	2
15	69NT35-1417	Label, Air Exchange (NSI)	2
4	66U1-5321-7	Washer, Flat, 1/4 – SST	2
16	PL	Nut, Hex, 1/4-20 UNC-2B – SST	2
17	58-50013-04	Washer, Mylar, 1/4 ID x 1.00 OD	2
18	42-00295-01	Gasket, Cover (NSI)	1
19	42-00295-00	Gasket, Cover (NSI)	1
20	69NT41-782	Bushing	2

3.23 LABELS AND DECALS



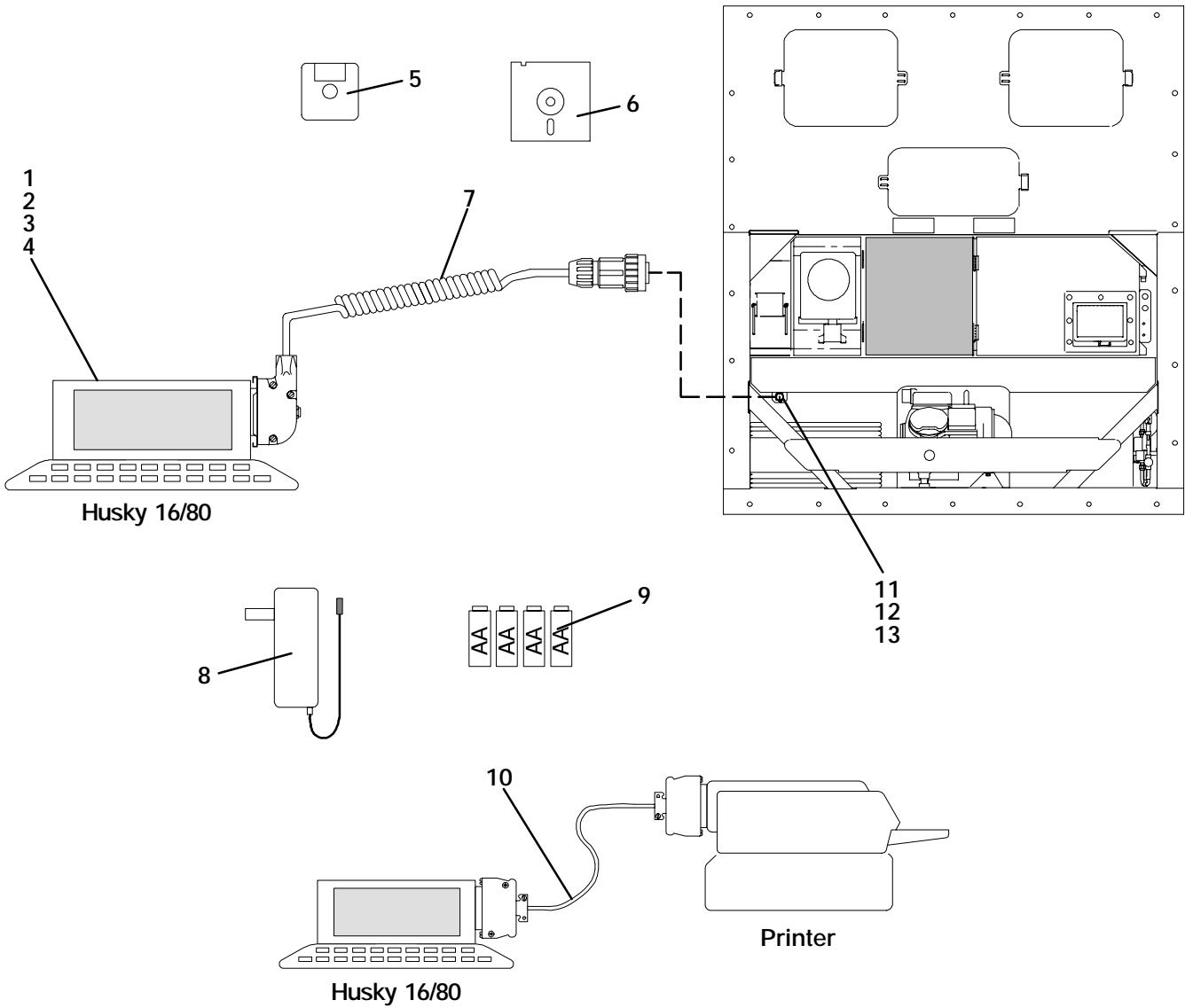
ITEM	PART NO.	DESCRIPTION	QTY
3.23 LABELS AND DECALS			
1	62-02531-00	Decal, Carrier Transicold Thinline (NSI)	1
2	66U1-8912	Label, Direction Arrow	1
3	69NT35-8653	Label, Humidistat (NSI)	1
4	69NT35-7794	Label, Fan Warning (NSI)	1
4	69NT35-7934	Label, Fan Warning (NSI) – 69NT40-449-15, -17	1
4	69NT35-7974	Label, Fan Warning (NSI) – 69NT40-449-7 & 69NT40-459-4	1
5	69NT35-7094	Label, Function Code (NSI) – 69NT40-449-15, -17, -18, -27,-29	1
5	69NT35-8824	Label, Function Code (NSI) – 69NT40-449-7, -21, -22, -23, -28 & 69NT40-459-4	1
6	69NT35-1918	Label, Operating (NSI) – 69NT40-449-7 & 69NT40-459-4	1
6	69NT35-9754	Label, Operating (NSI) – 69NT40-449-15, -17	1
6	69NT35-7804	Label, Operating (NSI) – 69NT40-449-21, -22, -23, -28	1
6	69NT35-9464	Label, Operating (NSI) – 69NT40-449-18, -27,-29	1
7	69NT35-8553	Label, Humidity Control Sensor (NSI)	1
8	69NT35-9813	Label, Micro Link (NSI)	1
9	62-02444-00	Label, Charge with R-134a – 69NT40-449-7 & 69NT40-459-4	1
9	62-02444-01	Label, Charge with R-134a (NSI)	1
10	62-02458-00	Label, POE Compressor Oil	1
11	69NT35-6512	Label, Nitrogen Feed (NSI) 69NT40-459-4	1
12	62-02530-00	Label, R-134a – Ozone Protection (NSI)	1
12	62-02530-01	Label, R-134a – Ozone Protection (NSI) – 69NT40-449-18, -27,-29	1
13	66CH1-1002-33	Label, Arrow (NSI)	1
14	69NT35-5323	Label, Air Exchange (NSI) – 69NT40-449-15, -17, -21, -22, -23, -28	1
14	69NT35-1287	Label, Air Exchange (NSI) – 69NT40-449-18, -27,-29	1
14	69NT35-9903	Label, Air Exchange (NSI) – 69NT40-449-7	1
14	69NT35-9493	Label, Air Exchange (NSI) – 69NT40-459-4	1
15	69NT35-7012	Label, Fresh Air (NSI) – 69NT40-449-18, -27,-29	1
16	69NT35-3787	Label, Economy Mode – 69NT40-449-29	1
NS	69NT35-8223	Label, USDA (Located on rear bottom panel) – 69NT40-449-18, -27	1
NS	69NT35-3657	Label, USDA (Located on rear upper panel) – 69NT40-449-29	1
NS	69NT35-3777	Label, Peel Off (Placed on item 6, over note 7) – 69NT40-449-29	1
NS	69NT35-3797	Label, Economy Mode (Located on inside of control box door) – 69NT40-449-29	1

4. ACCESSORIES
 4.1 INTERROGATOR AND PORTABLE/PERSONAL COMPUTER CONNECTIONS

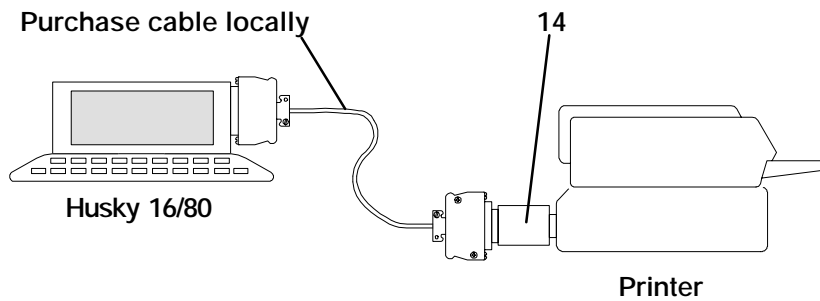


ITEM	PART NO.	DESCRIPTION	QTY
4.1 INTERROGATOR AND PORTABLE/PERSONAL COMPUTER CONNECTIONS			
1	12-00341-03	Software, PC/DOS (5.25 Diskette)	1
2	12-00341-02	Software, PC/DOS (3.5 Diskette)	1
3	22-02420-00	Adapter, DB25M to DB9F (25 pin male to 9 pin female)	1
4	22-02418-00	Cable, Unit to PC	1
5	12-01107-00	Battery Pack with Charger	1
6	22-02401-00	Cable, Battery Pack to PC	1
7	22-02413-00	Cap & Chain	1
8	69NT40-537-3	Connector, Interrogator (Optional) (NSI) – Includes:	1
	22-02412-00	Receptacle	1
NS	22-02398-02	Pin, Contact	5
NS	58-01256-00	Plug	1
NS	22-02362-01	Contact	1
NS	22-02361-01	Contact	3
9	69NT40-222	Bracket, Interrogator Connector (Optional)	1
10	12-00279-00	Microbuffer, Mini	1
11	22-02386-00	Cable, PC or Printer	1
NS	69NT40-957	Sensor Assembly, USDA Cold Treatment – Includes:	1
NS	22-02397-04	Pin	4

4.2 INTERROGATOR AND HUSKY 16/80 COMPUTER CONNECTIONS



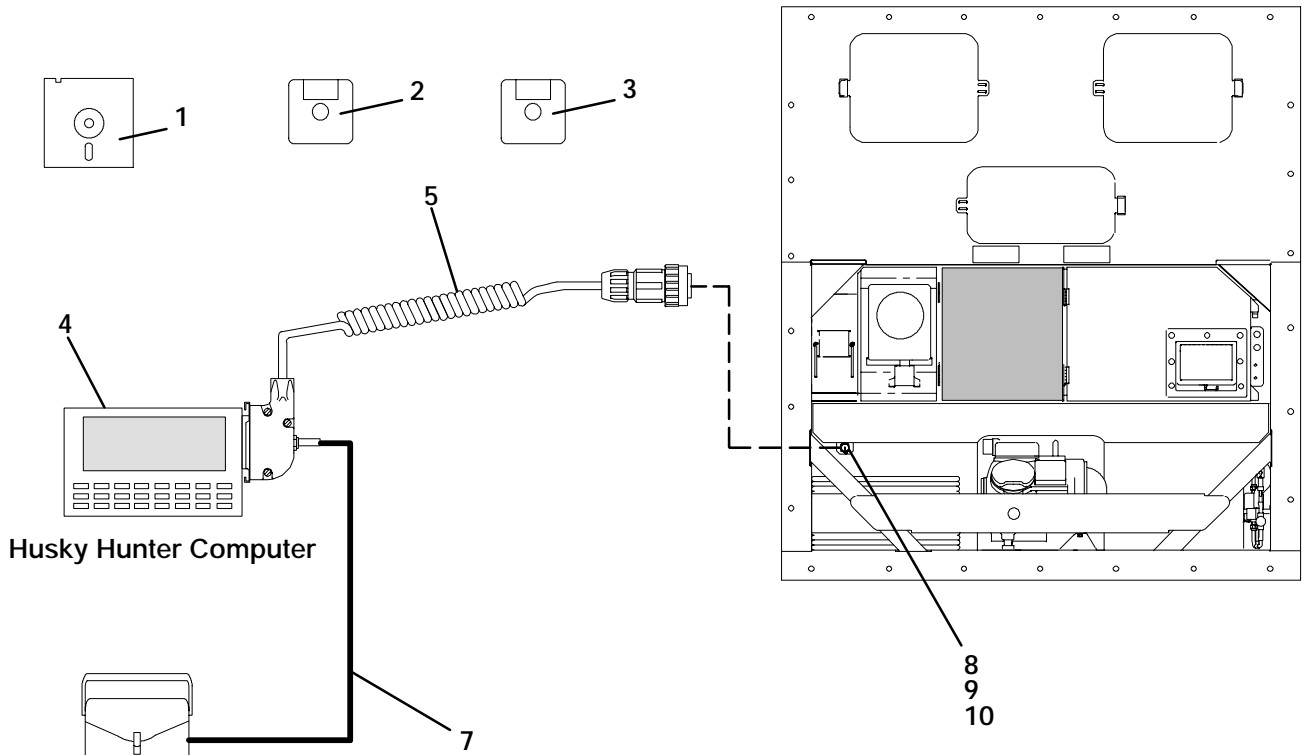
SERIAL PRINTING



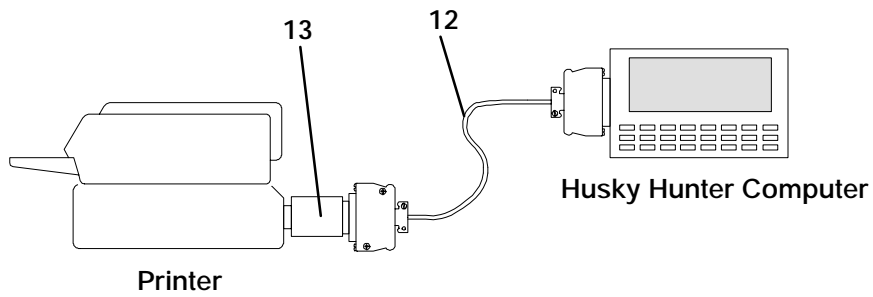
SERIAL TO PARALLEL PRINTING

ITEM	PART NO.	DESCRIPTION	QTY
4.2 INTERROGATOR AND HUSKY 16/80 COMPUTER CONNECTIONS			
–	76-00655-00	Interrogator Kit, Field (Optional) – Includes:	–
1	NSS	Computer, Husky 16/80 (NSI) – Includes:	1
2	62-02543-00	Manual, Husky 16/80 Operator (NSI)	1
3	PL	Batteries, AA Alkaline	4
4	58-04150-00	Case (for Husky 16/80) (NSI)	1
5	12-00341-02	Software, PC/DOS (3.5 Diskette)	1
6	12-00341-03	Software, PC/DOS (5.25 Diskette)	1
7	22-02418-02	Cable, Unit to Husky 16/80	1
–	76-00655-01	Interrogator Kit, Desktop (Optional) – Includes:	–
NS	12-00339-00	Disk Drive, 3.5 DS/HD for Husky 16/80 (NSI)	1
5	12-00341-02	Software, PC/DOS (3.5 DS/DD Diskette)	1
6	12-00341-03	Software, PC/DOS (5.25 DS/DD Diskette)	1
8	12-00340-00	Battery Charger – AA NiCad (NSI)	1
9	10-00339-00	Battery Pack, Rechargeable – AA NiCad (NSI)	2
10	22-02386-00	Cable Assembly (Husky 16/80 to PC or printer)	2
11	22-02413-00	Cap & Chain	1
12	69NT40-537-3	Connector, Interrogator (Optional) (NSI) – Includes:	1
NS	22-02412-00	Receptacle	1
NS	22-02398-02	Pin, Contact	5
NS	58-01256-00	Plug	1
NS	22-02362-01	Contact	1
NS	22-02361-01	Contact	3
13	69NT40-222	Bracket, Interrogator Connector (Optional)	1
14	12-00279-00	Microbuffer, Mini (for Husky to parallel Printer)	1

4.3 INTERROGATOR AND HUSKY HUNTER COMPUTER CONNECTIONS



FILE TRANSFER

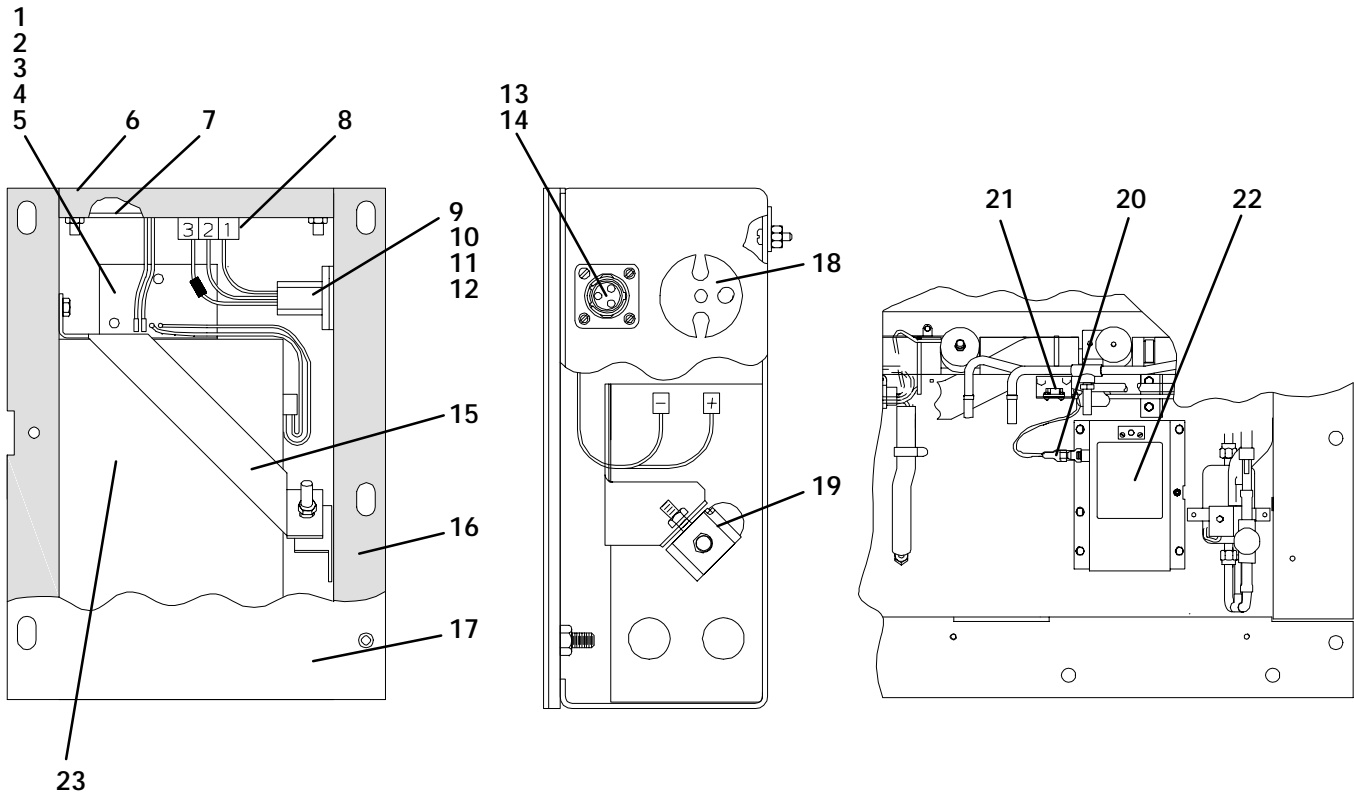


SERIAL TO PARALLEL PRINTING

ITEM	PART NO.	DESCRIPTION	QTY
4.3 INTERROGATOR AND HUSKY HUNTER COMPUTER CONNECTIONS			
1	12-00277-01	Software, Husky Hunter Menu Program (5.25 Diskette)	1
2	12-00277-00	Software, Husky Hunter Menu Program (3.5 Diskette)	1
3	12-01126-03	Software, DataREADER Program (3.5 Diskette)	1
4	12-01106-02	Husky Hunter Computer – 352K Memory (NLO)	–
NS	58-01246-00	Case (For Husky Hunter Computer) (NSI)	–
5	22-02418-00	Cable, Unit to Husky Hunter	1
6	12-01107-00	Battery Pack with Charger	1
7	22-02401-00	Cable, Battery Pack to Husky Hunter	1
8	22-02413-00	Cap & Chain	1
9	69NT40-537-3	Connector, Interrogator (Optional) (NSI) – Includes:	1
NS	22-02412-00	Receptacle	1
NS	22-02398-02	Pin, Contact	5
NS	58-01256-00	Plug	1
NS	22-02362-01	Contact	1
NS	22-02361-01	Contact	3
10	69NT40-222	Bracket, Interrogator Connector (Optional)	1
11	22-02420-00	Adapter, DB25M to DB9F (25 pin male to 9 pin female)	1
12	22-02386-00	Cable, Husky Hunter to PC or Printer	1
13	12-00279-00	Microbuffer, Mini (for Husky to parallel Printer)	1
NS	69NT40-957	Sensor Assembly, USDA Cold Treatment – Includes:	1
NS	22-02397-04	Pin	4

ITEM	PART NO.	DESCRIPTION	QTY
------	----------	-------------	-----

4.4 BATTERY AND CHARGER MODULE

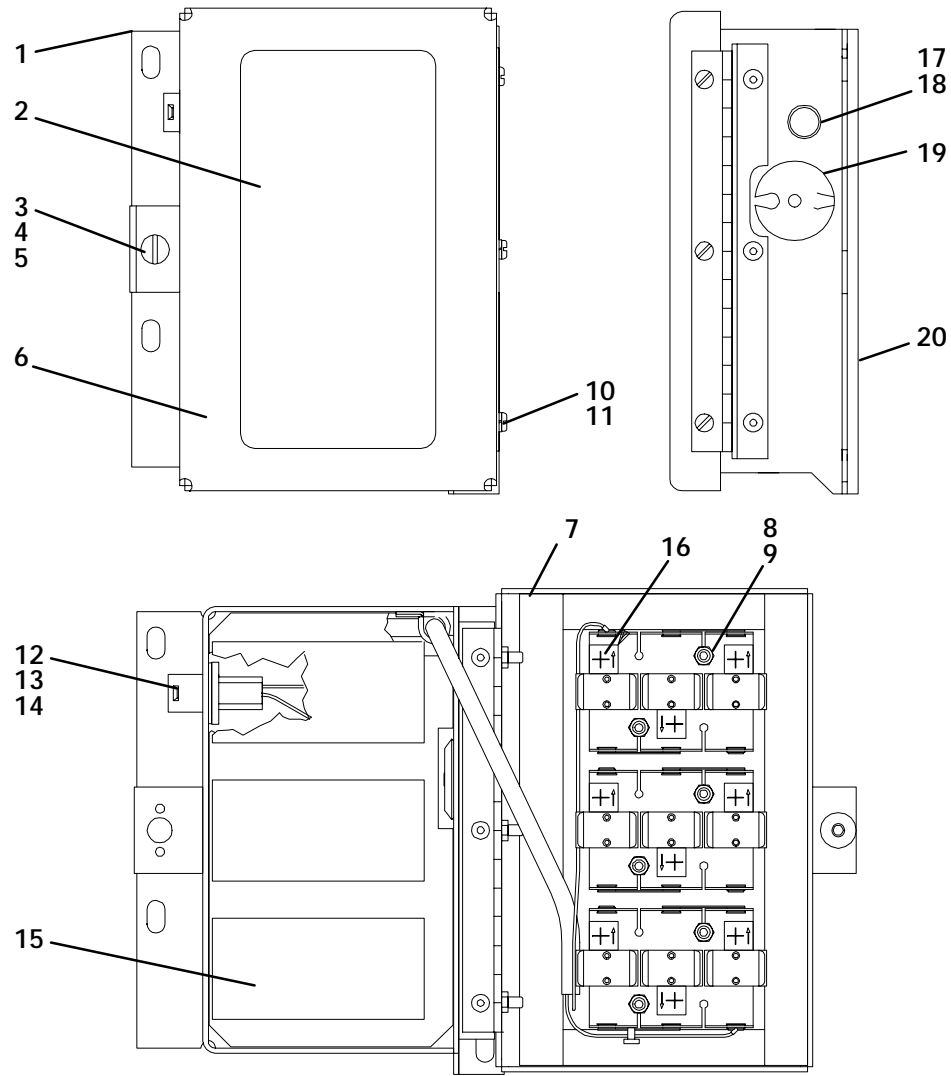


–	69NT40-177-4	Battery Box Assembly – Includes:	1
* –	74-00174-00	Kit, Charger Board – Includes:	1
* 1	12-00350-00	Board, Charger	1
2	34-00669-12	Screw, Machined Round Head, #6-32 x 3/4 lg – SST (NSI)	3
3	34-00662-07	Washer, Flat, #6 – SST (NSI)	3
4	34-06053-10	Washer, Mylar, 0.343 ID x 0.138 OD (NSI)	3
5	34-00667-07	Nut, Lock, #6-32 UNC-2B (NSI)	3
6	69NT40-177-3	Battery Box Assembly – Includes:	1
7	12-01111-00	Charger, Battery	1
8	22-01442-00	Connector, Receptacle	1
9	69NT40-682	Receptacle Assembly – Includes:	1
10	22-02387-00	Holder, Fuse, In-line	1
11	HY10FJ203	Fuse, 3 Amps	1
12	22-02361-01	Contact (Pin Type)	2
13	22-02382-00	Receptacle	1
14	42-01114-00	Gasket, Receptacle (NSI)	1
15	69NT40-147	Bracket, Battery	1
16	42-01112-00	Gasket, Battery Box (NSI)	1
17	69NT40-287	Cover (NSI)	1
18	58-00660	Drain, Washer Condensate (Plastic)	2
19	42-01113-00	Gasket, Battery Bracket (NSI)	1
20	22-02383-00	Plug (for Power Cable and Dummy Plug)	2
21	22-02362-01	Socket, Terminal (for Power Cable)	3
22	69NT35-7684	Label, Charger Battery Box (NSI) (USDA) 69NT40-449-18,-27,--29	1
22	69NT35-8074	Label, Charger Battery Box (NSI) (USDA) 69NT40-449-7	1
* 23	10-01162-00	Battery, 12 Volt	1

* Contact your RCG Customer Representative.

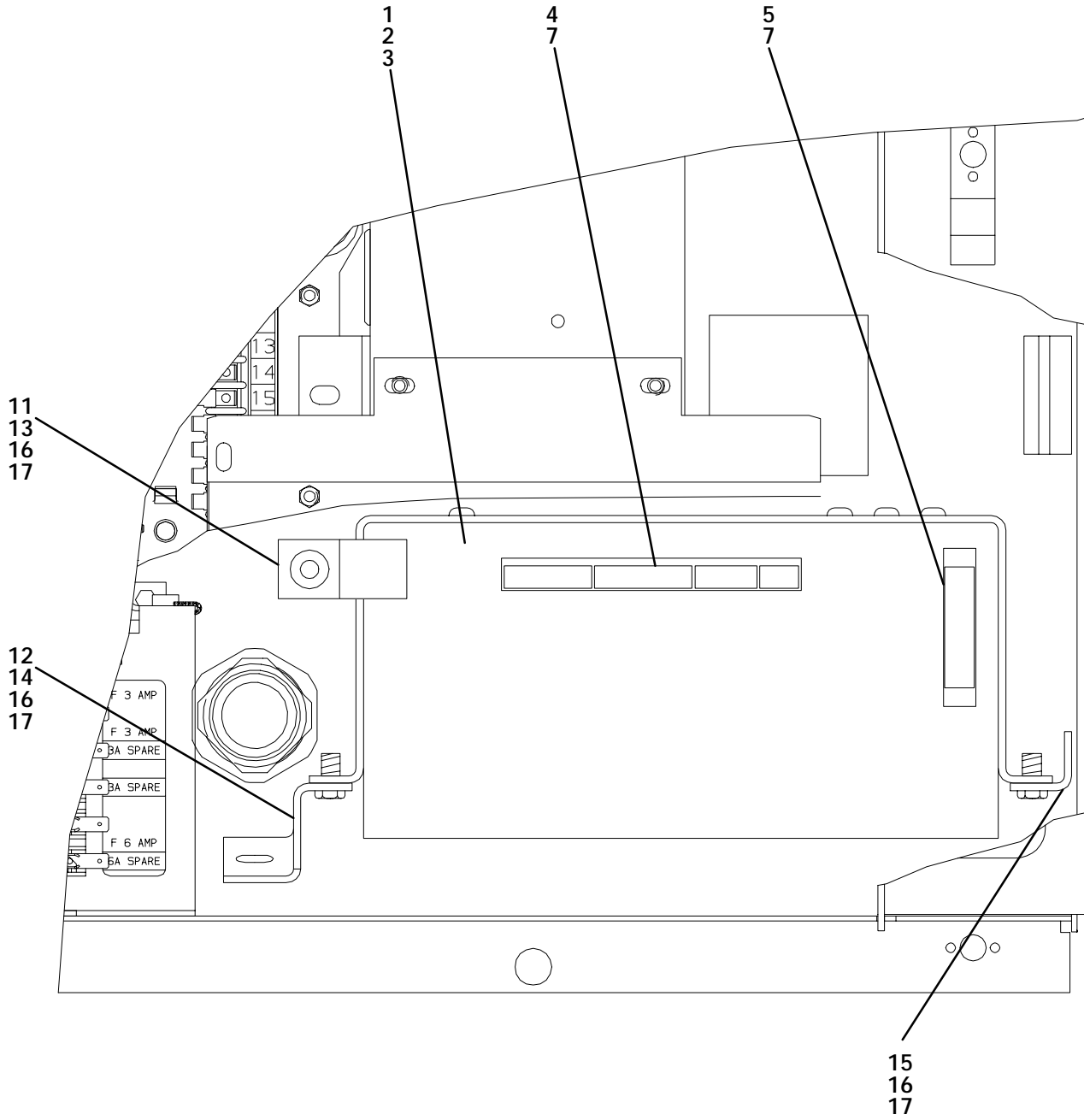
ITEM	PART NO.	DESCRIPTION	QTY
------	----------	-------------	-----

4.5 USDA "C" SIZE BATTERY BOX

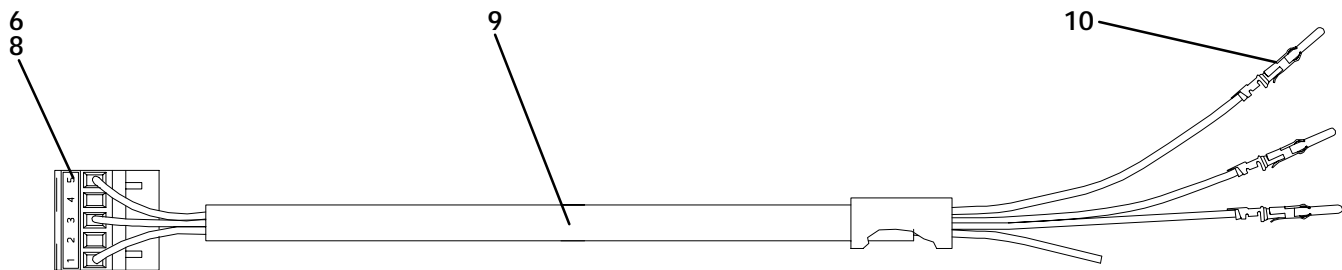


1	69NT40-997	Battery Box Assembly (NSI) – Includes:	1
2	69NT35-9563	Label, Instruction (NSI)	1
3	66U1-6811-10	Retaining, Screw	1
4	34-01226-00	Washer, Retaining	1
5	34-01142-01	Receptacle, Retaining	1
6	69NT41-143	Door (NSI) – Includes:	1
7	42-00206-00	Gasket (NSI)	1
8	22-01567-00	Holder, Battery	3
9	34-00667-07	Locknut, #6-32 (NSI)	6
10	69NT35-6552	Bracket (NSI)	1
11	44-00303-00	Hinge (NSI)	1
12	22-02382-00	Receptacle	1
13	42-01114-00	Gasket (NSI)	1
14	22-02361-01	Contact (Pin Type)	1
15	42-00211-00	Gasket (NSI)	3
16	69NT35-6572	Label (NSI)	9
17	22-01572-00	Holder, Fuse	1
18	22-00060-22	Fuse, 1 Amp	1
19	58-00660	Drain, Washer Condensate (Plastic)	2
20	42-00207-00	Gasket, Battery Box to Unit (NSI)	1
NS	PL	Battery "C" Size	9

4.6 COMMUNICATIONS INTERFACE MODULE (RMU) OPTION



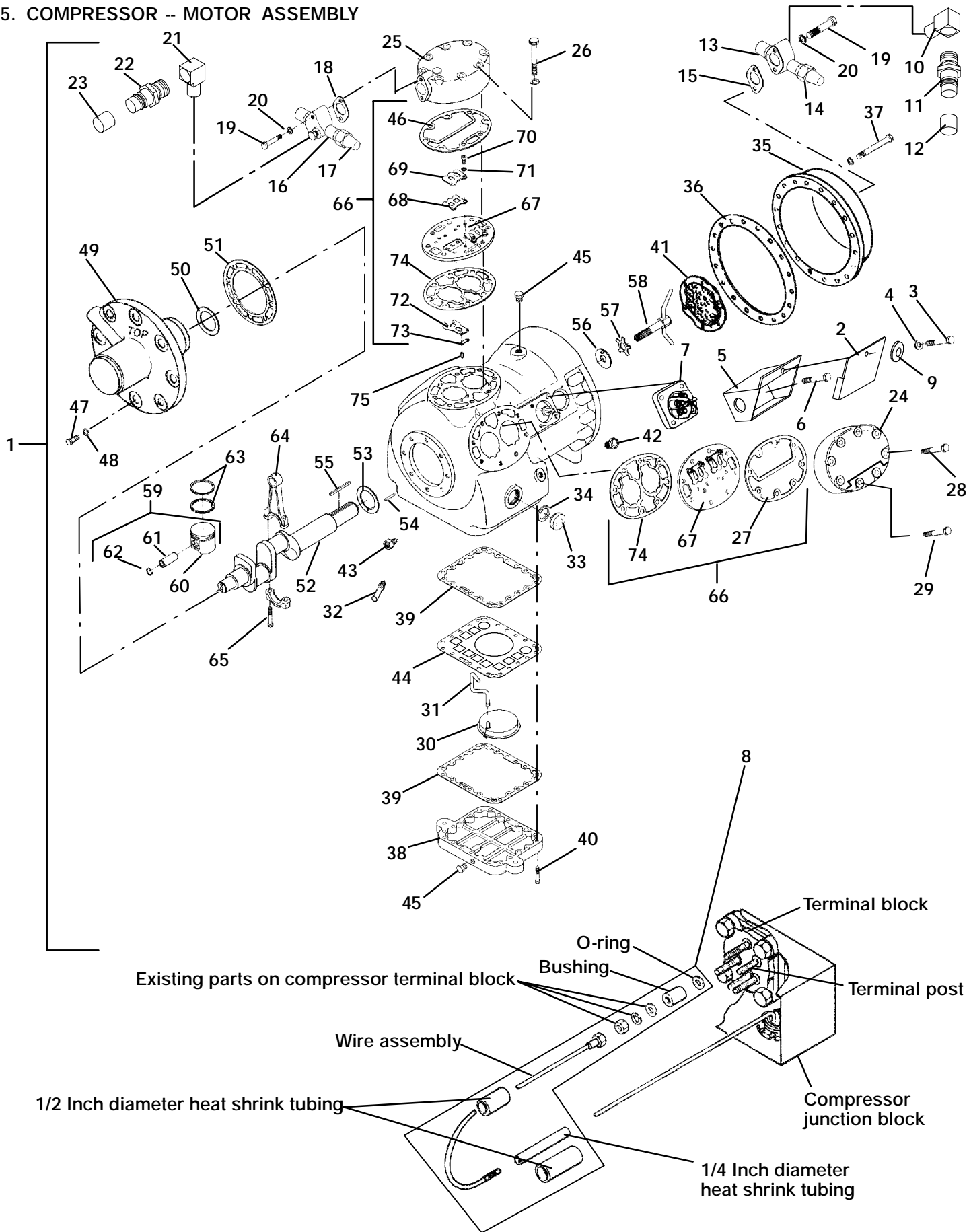
CONTROL BOX -- SECTIONAL VIEW



ITEM	PART NO.	DESCRIPTION	QTY
4.6 COMMUNICATIONS INTERFACE MODULE (RMU) OPTION			
* –	76-50038	Communications Interface Module (RMU), with Connectors (See Model Chart) – Includes:	1
1	12-00275-01	Module, Communications Interface 69NT40-459-4	1
1	12-00275-00SV	Module, Communications Interface – Includes:	1
2	66U1-3442-2	Fastener	4
3	66U1-9212-1	Retainer	4
4	22-02396-02	Connector, 3 Pin	1
5	22-01556-00	Connector, 7 Pin	1
6	22-02396-00	Connector, 5 Pin	1
7	22-02324-08	Bushing, 18 Gauge X 0.315 lg	6
8	22-02324-07	Bushing, 16 Gauge X 0.276 lg	3
9	69NT40-927	Cable Assembly (NSI) – Includes:	1
6	22-02396-00	Connector, 5 Pin	1
8	22-02324-07	Bushing, 16 Gauge X 0.276 lg	3
10	22-02361-01	Contact, Pin	3
11	69NT35-6282	Bracket Assembly (NSI)	1
12	42-00235-00	Gasket (NSI)	1
13	42-00235-01	Gasket (NSI)	1
14	69NT40-326	Bracket Assembly (NSI)	1
15	69NT40-336	Bracket Assembly (NSI)	1
16	34-00655-05	Screw, Hex Head, 1/4-20 X 5/8 lg – SST	7
17	66U1-5321-3	Washer, Flat, 1/4 – SST	7

* Units provisioned for Communications Interface Module option with Connectors, only need Communications Interface Module P/N 12-00275-00SV, See Model Chart.

5. COMPRESSOR -- MOTOR ASSEMBLY

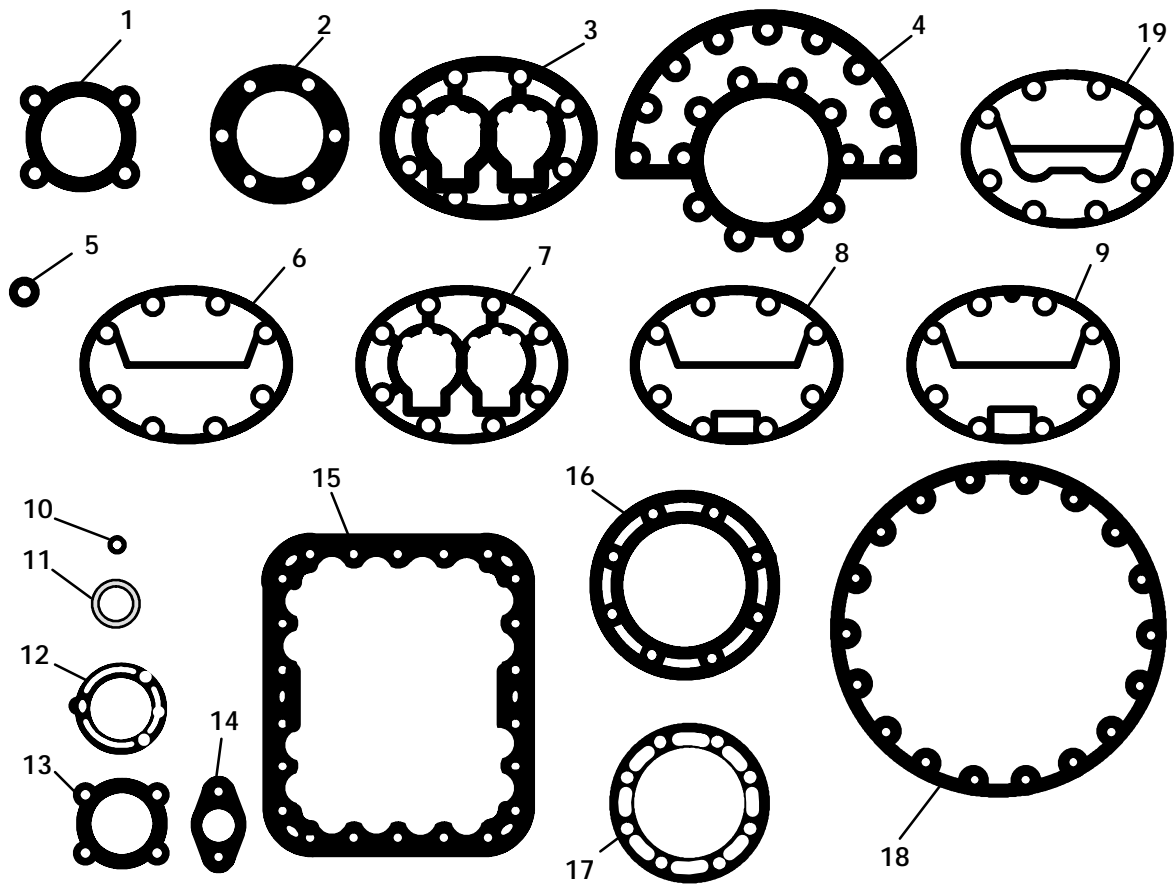


ITEM	PART NO.	DESCRIPTION	QTY
5.1 SERVICE REPLACEMENT COMPRESSOR			
1	18-00048-20SV	Compressor, 41 CFM, 460 vac/3 ph/60 hz (See Model Chart) 69NT40-449-7, -18, -27, -28, -29 & 69NT40-459-4	1
1	18-00048-21SV	Compressor, 41 CFM, 230/460 vac/3 ph/60 hz (See Model Chart) 69NT40-449-15, -17, -21, -22, -23	1
NOTE			
The Service Replacement Motor – Compressor is sold without terminal box and cover, and without shut-off valves (but with valve pads). Customer should retain the original terminal box and valves for use on replacement compressor.			
5.2 TERMINAL MOUNTING AND JUNCTION BOX GROUP			
2	69NT20-2083	Cover, Junction Box	1
3	66U1-5371-7	Screw, Hex Head, #10-24 x 1/2 lg (cover to box) – SST (NSI)	2
4	66U1-5321-8	Washer, Flat, #10 (cover to box) – SST	2
5	69NT20-513-1SV	Box, Junction (Located on Front of Compressor) – Includes:	1
5	69NT20-513-SV	Box, Junction (Located on Back of 230/460v Compressor) – Includes:	1
2	69NT20-2083	Cover, Junction Box	1
6	PL	Screw, Pan Head, #10-32 x 3/8 lg (box to compressor)	4
7	17-40093-02	Terminal, Compressor (5 Terminals)	1
7	17-40093-01	Terminal, Compressor (6 Terminals)	1
8	76-00355	Kit, Compressor Terminal Wiring	1
NS	76-00384	Kit, Compressor Terminal Wiring (Dual Voltage or Dual/Single Voltage)	1
NS	17-40075-05	Gasket, Terminal Plate	1
9	34-06053-05	Washer, Mylar, 0.205 ID x 0.600 OD	2
5.3 SERVICE VALVE GROUP			
10	40-00524-00	Elbow, 1/4 NPTF x M13 – Brass	1
10	40-00523-00	Elbow, M13 x M13 – Brass (Used with 14-00206-00) Starting with Serial #90215905	1
11	40-00520-00	Coupling, M13 – Brass – Includes:	1
12	40-00520-02	Cap, Service Port	1
13	14-00206-00	Valve, Suction Shut-Off, 1-1/8 ODS Starting with Serial #90215905	1
13	14-01042-03	Valve, Suction Shut-Off, 1-1/8 ODS – Includes:	1
14	17-10812-00	Cap, Seal	1
NS	17-10806-02	Gasket, Seal Cap	1
15	17-10811-05	Gasket, Suction Service Valve	1
16	14-00206-01	Valve, Discharge Shut-Off, 7/8 ODS Starting with Serial #90215905	1
16	14-01042-04	Valve, Discharge Shut-Off, 7/8 ODS – Includes:	1
17	17-10812-00	Cap, Seal	1
NS	17-10806-02	Gasket, Seal Cap	1
18	17-10811-05	Gasket, Discharge Service Valve	1
19	66U1-5361-46	Bolt, Hex Head, 5/16-18 x 1-7/8 lg – SST (NSI)	2
20	17-40013	Gasket, Bolt, 5/16	2
21	40-00524-01	Elbow, 1/8 NPTF x M15 – Brass	1
21	40-00523-01	Elbow, M15 x M15 – Brass (Used with 14-00206-01) Starting with Serial #90215905	1
22	40-00520-01	Coupling, M15 – Brass – Includes:	1
23	40-00520-03	Cap, Service Port	1
5.4 COMPRESSOR -- MOTOR BODY GROUP			
NS	–	Gasket Set (Refer to Section 5.8)	
24	17-21040	Head, Cylinder – Side Bank (Shaved Head)	2
25	17-40016-01	Head, Cylinder – Center Bank	1
26	17-40018-05	Screw, Hex Head – Center Head, 3/8-16 x 3.00 lg – SAE Grade 5	8
27	17-55001	Gasket, Cylinder Head (Side Bank)	3
28	17-40034-05	Screw, Hex Head, 3/8-16 x 2.00 lg – SAE Grade 5	12
29	17-40037-05	Screw, Hex Head, 3/8-16 x 1.00 lg – SAE Grade 5	4
30	17-40020-01	Screen Assembly, Oil Filter	1
31	17-40021	Tube, Oil Suction	1

ITEM	PART NO.	DESCRIPTION	QTY
5.4 COMPRESSOR -- MOTOR BODY GROUP (CONTINUED)			
32	17-44011	Valve, Oil Relief	1
33	17-10218	Sight Glass Package, Oil Level – Includes:	1
34	17-10218-02	Gasket, Sight Glass	1
35	17-20004	Cover, Motor End (NSI)	1
36	17-40029-05	Gasket, Motor End Cover	1
37	PL	Screw, Hex Head, 7/16-14 x 1-1/4 lg – SAE Grade 5	18
38	17-40032	Plate, Bottom	1
39	17-40033-05	Gasket, Bottom Plate	2
40	17-40034-05	Screw, Hex Head, 3/8-16 x 2.00 lg – SAE Grade 5	22
41	17-20005	Strainer Assembly, Suction (NSI)	1
42	PL	Plug, Pipe, Oil Fill, 1/4	1
43	17-40042	Check Valve Assembly, Oil Return	1
44	17-21063-00	Plate, Screen Hold Down	1
45	PL	Pipe Plug (High & Low Pressure Connection and Oil Drain), 1/4-18 NPT	3
46	17-55006	Gasket, Cylinder Head (Center Bank)	1
5.5 PUMP END GROUP			
47	17-40037-05	Screw, Hex Head, Bearing Head, 3/8-16 x 1.00 lg – SAE Grade 5	8
48	17-40019	Gasket, Capscrew, 3/8	8
49	17-21070-00	Bearing Head & Gear Oil Pump Package	1
50	17-55009-01	Washer, Thrust	1
51	17-40078-05	Gasket, Cover Plate	1
5.6 CRANKSHAFT, ROD AND PISTON GROUP			
52	N/A	Crankshaft	1
53	17-40059	Washer, Thrust	1
54	17-40048	Pin, Spiral, 5/32 Diameter x 5/8 lg	2
55	34-01110	Key, Rotor Drive	1
56	17-10831	Washer, Rotor (NSI)	1
57	17-40046	Washer, Star, Rotor, 5/8 (NSI)	1
58	17-40044	Tube Assembly, Equalizer (NSI)	1
59	17-44115-01	Piston & Pin Pkg (Standard) – Includes:	6
59	17-44115-20	Piston & Pin Pkg (+0.020) – Includes:	A/R
60	NSS	Piston	1
61	17-40052-00	Pin, Piston	1
62	17-40053	Retainer, Piston Pin	2
63	17-40055	Ring, Compression (For Standard & +0.020 inch Piston)	12
64	17-40056	Connecting Rod and Cap Assembly (Standard) – Includes:	6
64	17-55023	Connecting Rod and Cap Assembly (+0.010) – Includes:	6
NS	17-40057	Pin, Dowel	2
65	17-55008	Capscrew – Special (Epoxy Coated)	2
5.7 VALVE PLATE GROUP			
66	17-44112-01	Package, Valve Plate Assembly (Center and Side Banks -- Canted) – Includes:	3
NS	NSS	Plate Assembly, Valve – Includes:	1
67	NSS	Plate, Valve	1
68	17-40086	Valve, Discharge	2
69	17-40087	Valve, Stop Discharge	2
70	17-44113-00	Screw, Hex Head, 1/4-28 x 3/8 lg	4
71	17-10715	Washer, Lock, 1/4	4
72	17-44111-00	Valve, Suction	2
73	17-40083	Spring, Suction Valve Positioning	2
27	17-55001	Gasket, Cylinder Head (Side Bank)	1
46	17-55006	Gasket, Cylinder Head (Center Bank)	1
74	17-55002	Gasket, Valve Plate	1
75	17-40057	Pin, Dowel (Valve Plate)	12

ITEM	PART NO.	DESCRIPTION	QTY
------	----------	-------------	-----

5.8 GASKET SET



* -	17-55020-20	Gasket Set – Includes:	1
1	17-40005-05	Gasket, Suction Service Valve (4 Bolt)	1
2	17-44004-05	Gasket, Shaft Seal (05G)	1
3	17-44007-05	Gasket, Valve Plate (05G)	3
4	17-44001-06	Gasket, End Flange (05G) – Includes:	1
5	17-44014	Gasket, Flange Spacer (05G)	2
6	17-55001	Gasket, Cylinder Head – Side Bank (Standard)	2
7	17-55002	Gasket, Valve Plate	3
8	17-55006	Gasket, Cylinder Head – Center Bank	1
9	17-55005	Gasket, Cylinder Head – Side Bank (Hot Gas Bypass Unloader)	2
10	17-40316	Gasket, Oil Supply Tube (O-Ring, 05D)	1
11	17-10218-02	Gasket, Sight Glass	2
12	17-40104-07	Gasket, Unloader Body	2
13	17-40075-05	Gasket, Oil Pump Cover	1
14	17-10811-05	Gasket, Service Valve (2 Bolt)	2
*15	17-40033-05	Gasket, Bottom Plate	1
16	17-40078-05	Gasket, Pump End Bearing Head	1
17	17-40319-05	Shaft Seal (05D)	1
18	17-40029-05	Gasket, Motor End Cover	1
19	17-21042-00	Gasket, Cylinder Head – Side Bank (Suction Cutoff Unloader)	2

* NOTE: When ordering a Gasket Set be aware that it includes one (1) of item15 and for a Container Unit the quantity needed is two (2).