



**TRANSICOLD**

# **Container Refrigeration Unit**

**Model  
69NT40-501**

**SERVICE  
PARTS LIST**



**TRANSICOLD**

# **SERVICE PARTS LIST CONTAINER REFRIGERATION UNIT**

## **MODEL 69NT40-501**



Carrier Transicold Division, Carrier Corporation, P.O. Box 4805, Syracuse, N.Y. 13221

© Carrier Corporation 1995 • Printed in U. S. A. 1295

# TABLE OF CONTENTS

Introduction .....	ii
Ordering Instructions .....	ii
Letter Designations .....	ii
Model Chart .....	iii
1. Quick List – Clamps, Filter-Drier, Fuse, Ty-Raps, and Wire Terminals ...	1
2. Tools .....	1
3. Refrigeration Unit Assembly .....	2
3.1 Refrigeration Unit – Front .....	2
3.2 Control Box Door .....	4
3.3 Control Box .....	6
3.4 Control Box – High and Low Voltage Shields Removed .....	8
3.5 Control Box – Module Section and Software Cards .....	10
3.6 Condenser Fan Motor and Coil Section .....	12
3.7 Receiver and Tubing Section .....	14
3.8 Water-Cooled Condenser and Tubing Section .....	16
3.9 Fresh Air Makeup and Access Panel Section .....	18
3.10 Evaporator Fan Assembly & Transfresh Option .....	20
3.11 Evaporator Coil Section – Rear Panels Removed .....	22
3.12 Evaporator Coil Section – Rear Panels Attached .....	24
3.13 Thermostatic Expansion Valve – Alco .....	25
3.14 Suction Solenoid Valve – Alco .....	26
3.15 Modulating Solenoid Valve .....	27
3.16 Recording Thermometer (PARTLOW) .....	28
3.17 Compressor Mounting And Related Components .....	30
3.18 Voltage Options .....	32
3.19 Modular Autotransformer Option .....	34
3.20 Labels and Decals .....	36
4. Interrogator and Accessories .....	38
4.1 DataReader .....	38
4.2 Portable/Personal Computer .....	40
4.3 Huskey 16/80 Computer .....	42
4.4 Interrogator Receptacle .....	44
5. Compressor – Motor Assembly .....	46
5.1 Service Replacement Compressor .....	47
5.2 Terminal Mounting and Junction Box Group .....	47
5.3 Service Valve Group .....	47
5.4 Compressor – Motor Body Group .....	47
5.5 Pump End Group .....	48
5.6 Crankshaft, Rod and Piston Group .....	48
5.7 Valve Plate Group .....	48
5.8 Gasket Set .....	49

## INTRODUCTION

This service parts list identifies service replacement parts for the Carrier Transicold container Models listed in the Model Chart.

## MODEL AND PRODUCT IDENTIFICATION (PID) NUMBERS

Beginning with early 1995 production, in addition to a model number, Carrier Transicold is using a parts identification (PID) number in the format of NT0000. In this manual, the PID number is shown in boldface to point out variations within models. Please include the PID number, in addition to the model number, when ordering and inquiring about your unit.

## ORDERING INSTRUCTIONS

All orders and inquiries for parts must include: Parts Identification Number (**PID**), Model Number, Unit Serial Number, Part Number, Description of part as shown on list and Quantity required. Address all correspondence for parts to the following address:

CARRIER TRANSICOLD DIVISION  
Replacement Components Group, TR-20  
P.O. Box 4805, Syracuse, New York 13221  
or  
FAX to: (315) 432-3778

## LETTER DESIGNATIONS

The following letter designations are used to classify parts throughout this list:

A/R	<i>As Required.</i>
NLO	<i>No Longer Offered.</i>
NS	<i>Not Shown in the illustration.</i>
NSA	<i>Non-Stock Assembly</i> – order components listed under the assembly.
NSI	<i>Non-Stock Item</i> – may be available on special order.
NSS	<i>Not Sold Separately</i> – order next higher assembly or kit.
P--	<i>Suffix P--</i> added to part number means part is available in packaged quantity only. Example: P/N34-00373-01P10 is a package of 10 P/N 34-00373-01. Use part number and P-- suffix when ordering.
PID	<i>Parts Identification Number</i> – essential to identify unit configuration.
PL	<i>Purchase Locally.</i>
SST	<i>Stainless Steel</i> – 300 Series unless otherwise specified.
SV	<i>Suffix SV</i> – added to part number designates service replacement part.

**MODEL CHART**

MODEL	PID	USDA Cold Treatment	Transformer	Water Cooled Condenser	Condenser Coil			Suction & Discharge Pressure Gauges	Humidity Sensor	Trans-fresh	Temperature Recorder (Partlow)	Communications Interface Module (CI)
					2 Row	4 Row	Sub-cooler					
69NT40-501-1	NT0003	P	P	-	X	X	X	P	-	-	-	
69NT40-501-2	NT0042	P	P	-	X	X	-	P	X	-	-	
69NT40-501-3	NT0006	P	P	P	X	-	-	P	-	X	-	
	NT0033	P	P	P	X	-	-	P	-	X	-	
69NT40-501-4	NT0012	P	X	P	X	-	-	P	-	X	-	
69NT40-501-5	NT0009	P	X	X	X	-	-	P	-	X	-	
69NT40-501-6	NT0016	P	X	P	X	-	-	P	-	X	-	
	NT0066	P	X	P	X	-	-	P	-	X	-	
	NT0075	P	P	P	-	X	-	P	-	X	-	
69NT40-501-8	NT0032	P	-	-	-	X	-	P	-	X	-	
69NT40-501-10	NT0058	P	P	P	X	-	-	P	-	X	-	

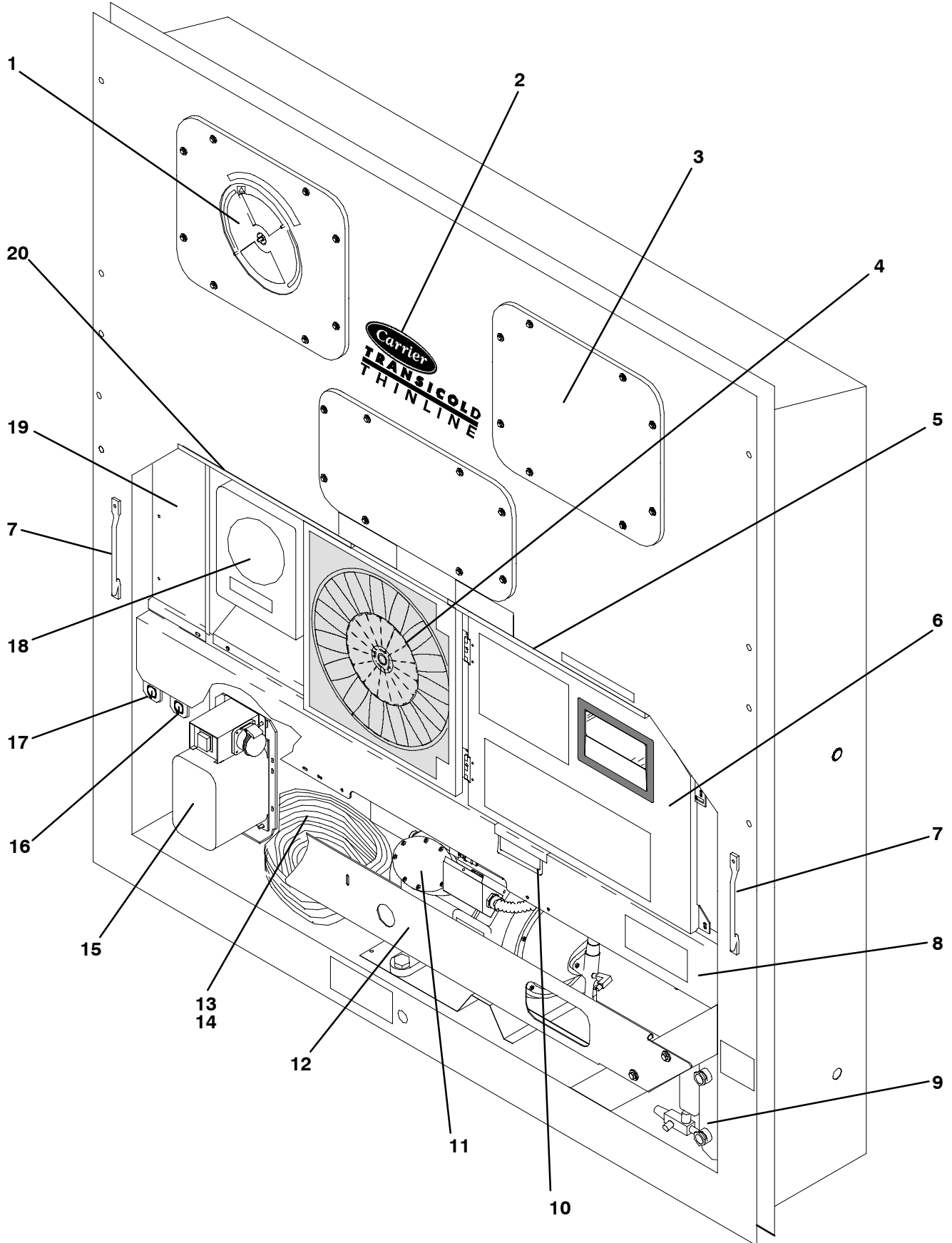
≡≡≡

P - Provision.  
X - Features that apply to model.

PART NO.	DESCRIPTION
<b>1. QUICK LIST – CLAMPS, FILTER-DRIER, FUSE, TY-RAPS, AND WIRE TERMINALS</b>	
34-00373-51P10	Clamp, Tube, 1/4 – SST
34-00373-53P10	Clamp, Tube, 3/8 – SST
34-00373-05P10	Clamp, Tube, 1/2 – SST
34-00373-07P10	Clamp, Tube, 5/8 – SST
34-00373-59P10	Clamp, Tube, 3/4 – SST
34-00373-11P10	Clamp, Tube, 7/8 – SST
34-00373-65P10	Clamp, Tube, 1-1/8 – SST
34-00373-67P10	Clamp, Tube, 1-1/4 – SST
22-00066-01P25	Connector, Butt End, Wire Range – 22 to 16 Gauge
22-00066-02P25	Connector, Butt End, Wire Range – 16 to 14 Gauge
22-00066-03P25	Connector, Butt End, Wire Range – 12 to 10 Gauge
22-00041-00P25	Connector, Closed End, Wire Range – 22 to 14 Gauge
22-00041-02P25	Connector, Closed End, Wire Range – 18 to 10 Gauge
66U1-7472-1	Filter-Drier
22-02336-02P05	Fuse, 5 Amp (F1 & F2)
22-02336-06P05	Fuse, 15 Amp (F3 & F)
22-01140-01P25	Ring Terminal, #6, Wire Range – 12 to 10 Gauge
22-01140-02P25	Ring Terminal, #10, Wire Range – 12 to 10 Gauge
22-01140-04P25	Ring Terminal, 3/8, Wire Range – 12 to 10 Gauge
22-00119-04P25	Ring Terminal, 1/4, Wire Range – 12 to 10 Gauge
22-00120-04P25	Ring Terminal, #10, Wire Range – 16 to 14 Gauge
22-00120-07P25	Ring Terminal, 5/16, Wire Range – 16 to 14 Gauge
22-00121-07P25	Ring Terminal, #10, Wire Range – 22 to 16 Gauge
22-01139-04P25	Ring Terminal, 3/8, Wire Range – 16 to 14 Gauge
22-01141-01P25	Spade Terminal, 1/4 x 5/16, Wire Range – 16 to 14 Gauge
22-00595-01P25	Spade Terminal, 3/8, Wire Range – 12 to 10 Gauge
22-01106-00F25	Spiral Wrap, 1/4 Diameter x 25 ft lg
22-01107-00F25	Spiral Wrap, 1/2 Diameter x 25 ft lg
66U1-3803-P10	Tube, Heat Shrink, 1/4 ID x 2-1/8 lg
66U1-3803-1P10	Tube, Heat Shrink, 1/2 ID x 2-3/4 lg
44-01043-05P25	Ty-Raps, 5-1/2 inches lg
44-01043-07P25	Ty-Raps, 11.00 inches lg
22-50007 Series	Wire Markers
07-00293-00	Sealant, Pipe (Used to seal fittings on unit with R-134a)
07-00313-00	Cleaner, Coil
<b>2. TOOLS</b>	
07-00013	Temperature Tester ( <b>Simpson Meter</b> )
07-00013-01	Temperature Test Lead ( <b>15 Foot</b> )
07-00013-02	Temperature Test Lead ( <b>50 Foot</b> )
07-00013-03	Adapter, Males (Both Ends) ( <b>Use with Temperature Tester</b> )
07-00015	Case, Carrying ( <b>Used with 07-00013</b> )
07-00219	Wrench, Compressor Sight Glass
07-00221	Inspection Light with Mirror
07-00228	Volt-Ohmmeter, Digital
07-00229	Amprobe Clamp ( <b>Used with 07-00228</b> )
07-00238	Wrench, Service Valve
07-00243-05	Volt-Ohmmeter, Digital ( <b>Fluke</b> )
07-00263-00	Pliers, Crimping (Used for compressor terminal block replacement)
07-00264-00	Grip, Wire Vise (Used for compressor terminal block replacement)
0700265-01	Test Kit, Total (uses Blue Tube)
07-00266-00	Package, Total Test (Blue Tube)
07-00277-00	Kit, Static Dissipative (Used when working on electronic components)
07-00279-00	Package, Total Test (Gold Tube)
07-00292-00	SW20 Compressor Oil, Castrol Icematic (Quart)
07-00294-00	Gauge Set, Manifold – <b>Fahrenheit/PSI</b>
07-00294-05	Gauge Set, Manifold – <b>Centigrade/KPa</b>
07-00295-00	Detector, Leak
07-00304-00	Ground Strap, Wrist (Used when working on electronic components)
07-00326-00	Extractor, Pin (Used on Fan Motor Plugs and Interrogator Plugs)
07-00327-00	Crimper, Pin (Used on Fan Motor Plugs and Interrogator Plugs)

**3. REFRIGERATION UNIT ASSEMBLY**

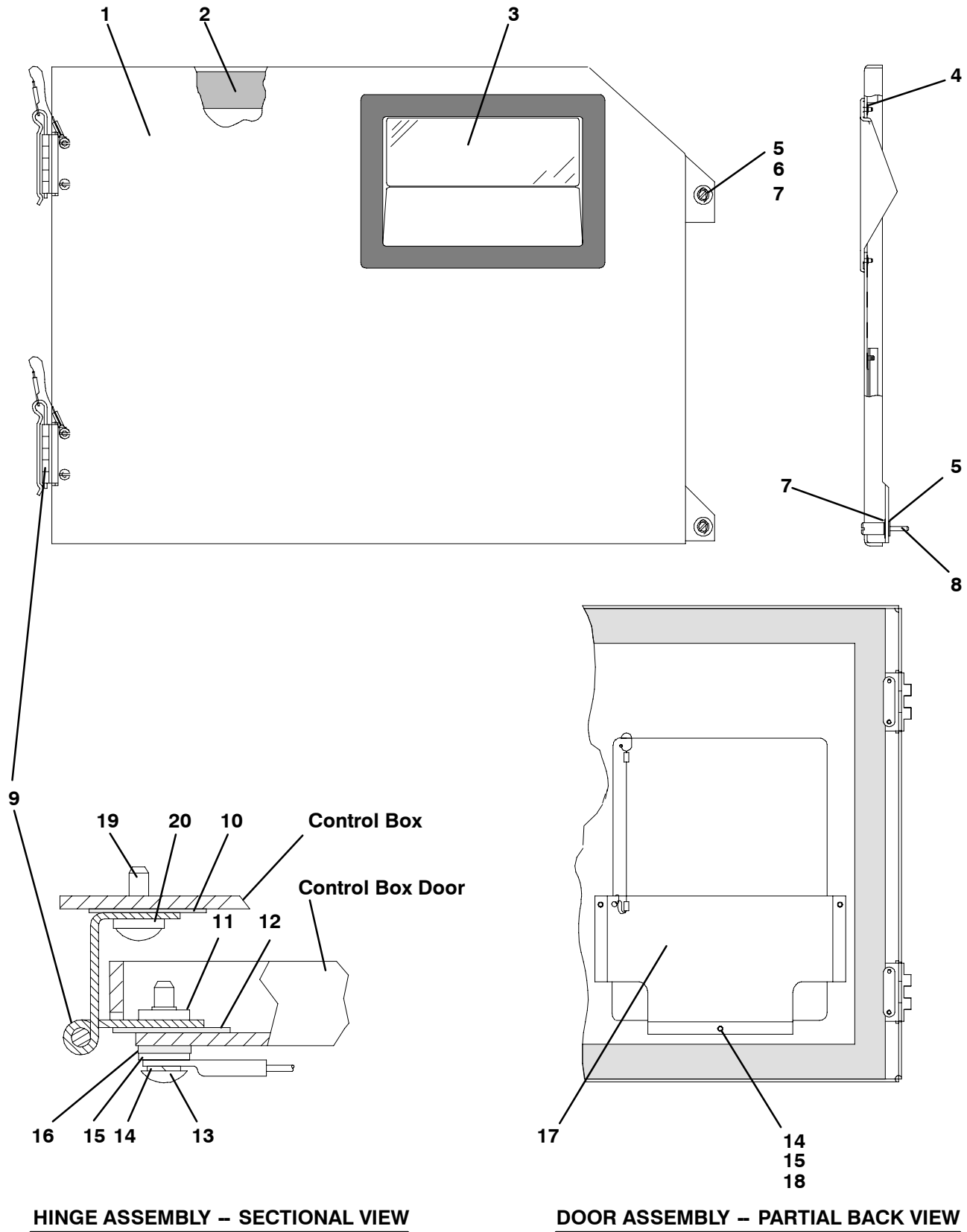
**3.1 REFRIGERATION UNIT – FRONT**



ITEM	PART NO.	DESCRIPTION	QTY
<b>3.1 REFRIGERATION UNIT – FRONT</b>			
1	–	Fresh Air Makeup & Access Panels – Refer to Section 3.9	–
2	–	Labels and Decals – Refer to Section 3.20	–
3	–	Evaporator Fan Assembly – Refer to Section 3.10	–
4	–	Motor, Condenser Fan – Refer to Section 3.6	–
5	69NT35-3987	Gutter, Rain – Optional	1
6	–	Box, Control – Refer to Sections 3.2 to 3.5	–
7	69NT35-8113	Handle, Fixed – Optional	2
8	–	Coil, Condenser – Refer to Section 3.6	–
9	–	Receiver, Water-Cooled Condenser – Refer to Section 3.7 or 3.8	–
10	69NT40-657	Handle, Hinged – Optional	1
11	–	Compressor – Refer to Sections 3.17 or 5.	–
12	–	Guard, Compressor – Refer to Section 3.17	–
13	–	Cable, Power – Refer to Section 3.18	–
14	–	Plug, Power – Refer to Section 3.18	–
15	–	Autotransformer Option – Refer to Section 3.19	–
16	–	Transfresh Option – Refer to Section 3.10	–
17	–	Connector, Interrogator – Refer to Section 4	–
18	–	Recording Thermometer – Refer to Section 3.16	–
19	69NT35-4047	Panel, Blank <b>NT0003,NT0042</b> (NSI)	1
20	69NT35-3997	Gutter, Rain – Optional	1



**3.2 CONTROL BOX DOOR**

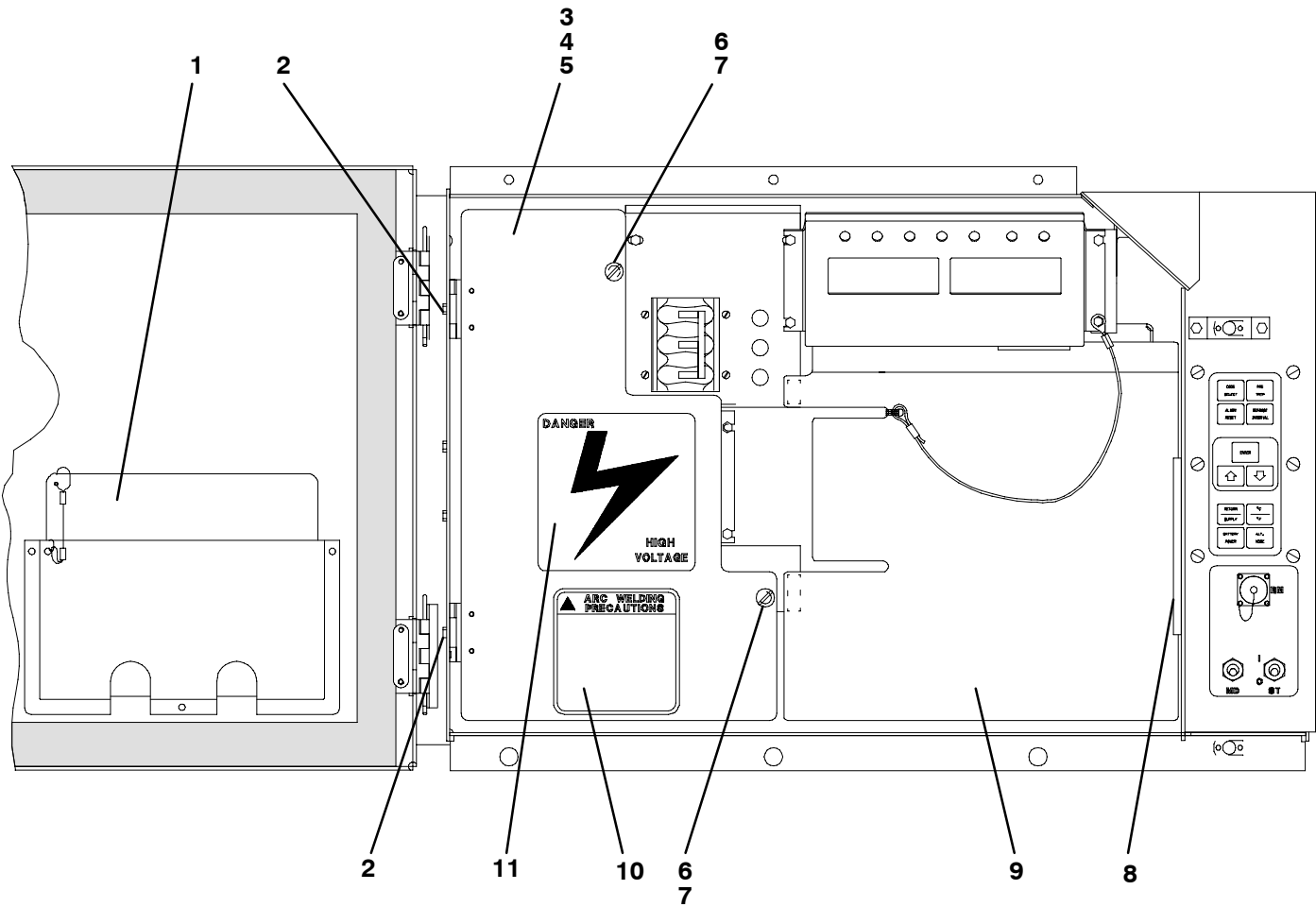


**HINGE ASSEMBLY – SECTIONAL VIEW**

**DOOR ASSEMBLY – PARTIAL BACK VIEW**

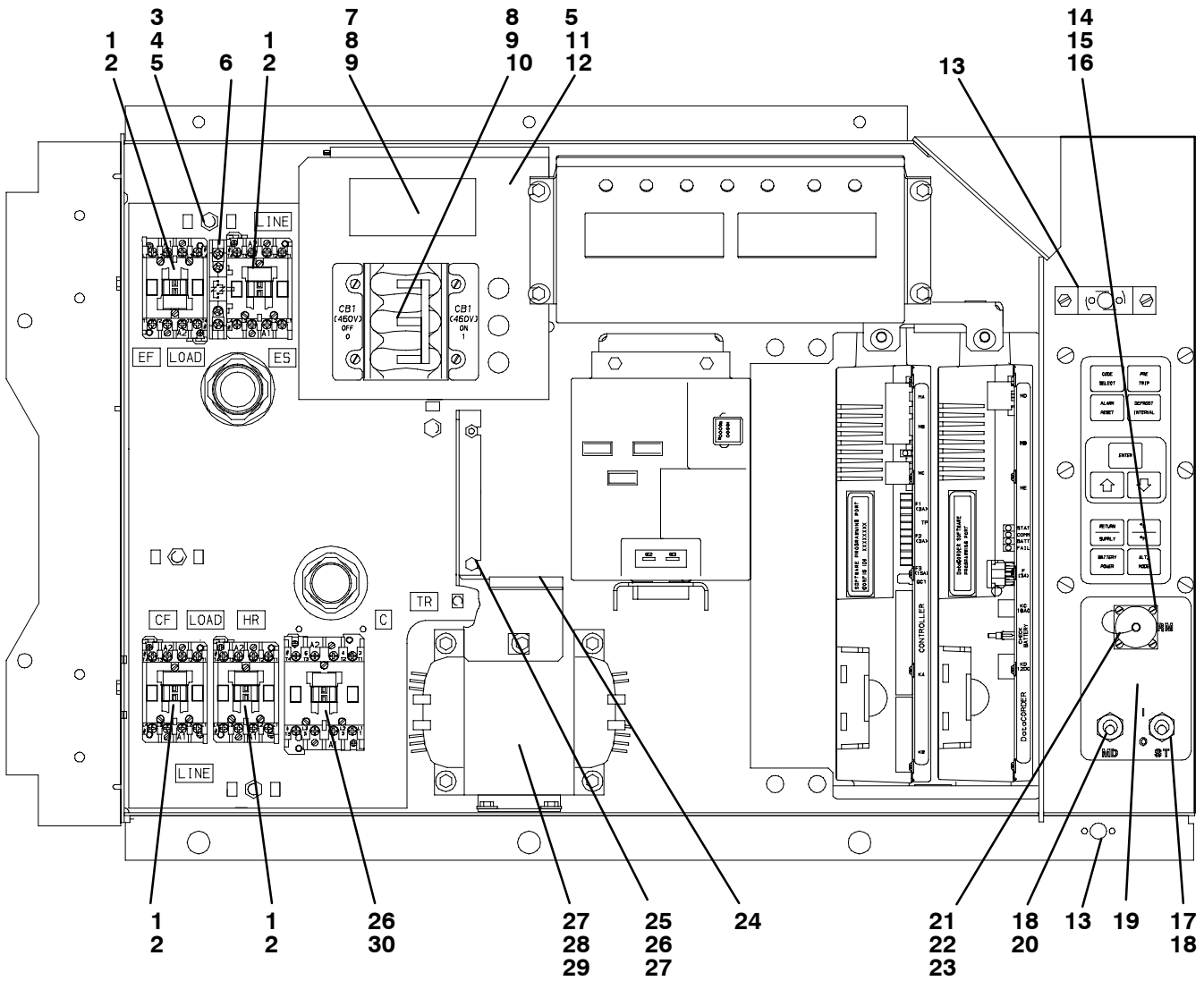
ITEM	PART NO.	DESCRIPTION	QTY
<b>3.2 CONTROL BOX DOOR</b>			
1	69NT42-688-4	Door Assembly – Includes:	1
2	42-00270-00	Gasket, Door	1
3	58-04193-00SV	Window and Gasket Assembly, Control Box Door – Lexan – Includes:	1
4	34-00980-56	Nut, Push-on – SST	6
5	34-01226-00	Washer, Retaining	2
6	66U1-6811-11	Screw, Retaining	1
7	58-50013-02	Washer, Mylar, 0.250 ID x 0.800 OD	2
8	66U1-6811-10	Screw, Retaining	1
9	44-00300-00	Hinge Assembly (NSI) – Includes:	2
NS	44-00300-01	Hinge, Half	1
NS	44-00300-02	Hinge, Half	1
NS	44-00300-03	Pin Assembly, with Tether	1
10	58-04101-01	Protector, Mylar (Hinge)	2
11	34-01167-01	Retainer, Nut	2
12	58-04101-00	Protector, Mylar (Hinge)	2
13	66U1-2403-1	Screw, Truss Head, #10-24 x 3/4 lg – SST (NSI)	4
14	66U1-5331-3	Washer, Lock, #10 – SST	7
15	66U1-5321-8	Washer, Flat, #10 – SST	7
16	34-06053-05	Washer, Mylar, 0.205 ID x 0.600 OD	4
17	69NT35-3347	Pocket, Placecard	1
18	34-00665-09	Locknut, Hex Head, #10-32 – SST (NSI)	3
19	66U1-5371-7	Screw, #10-24 x 1/2 lg – SST (NSI)	4
20	66U1-5321-8	Washer, Flat, #10 – SST	4

### 3.3 CONTROL BOX



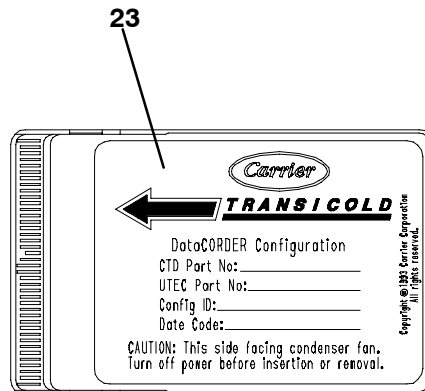
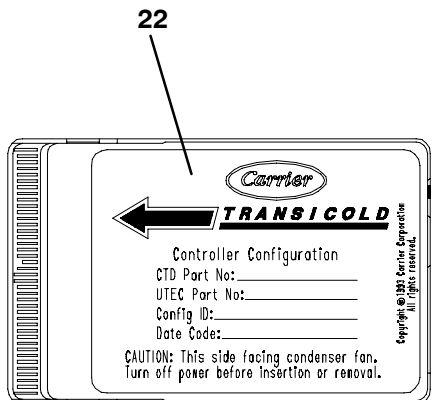
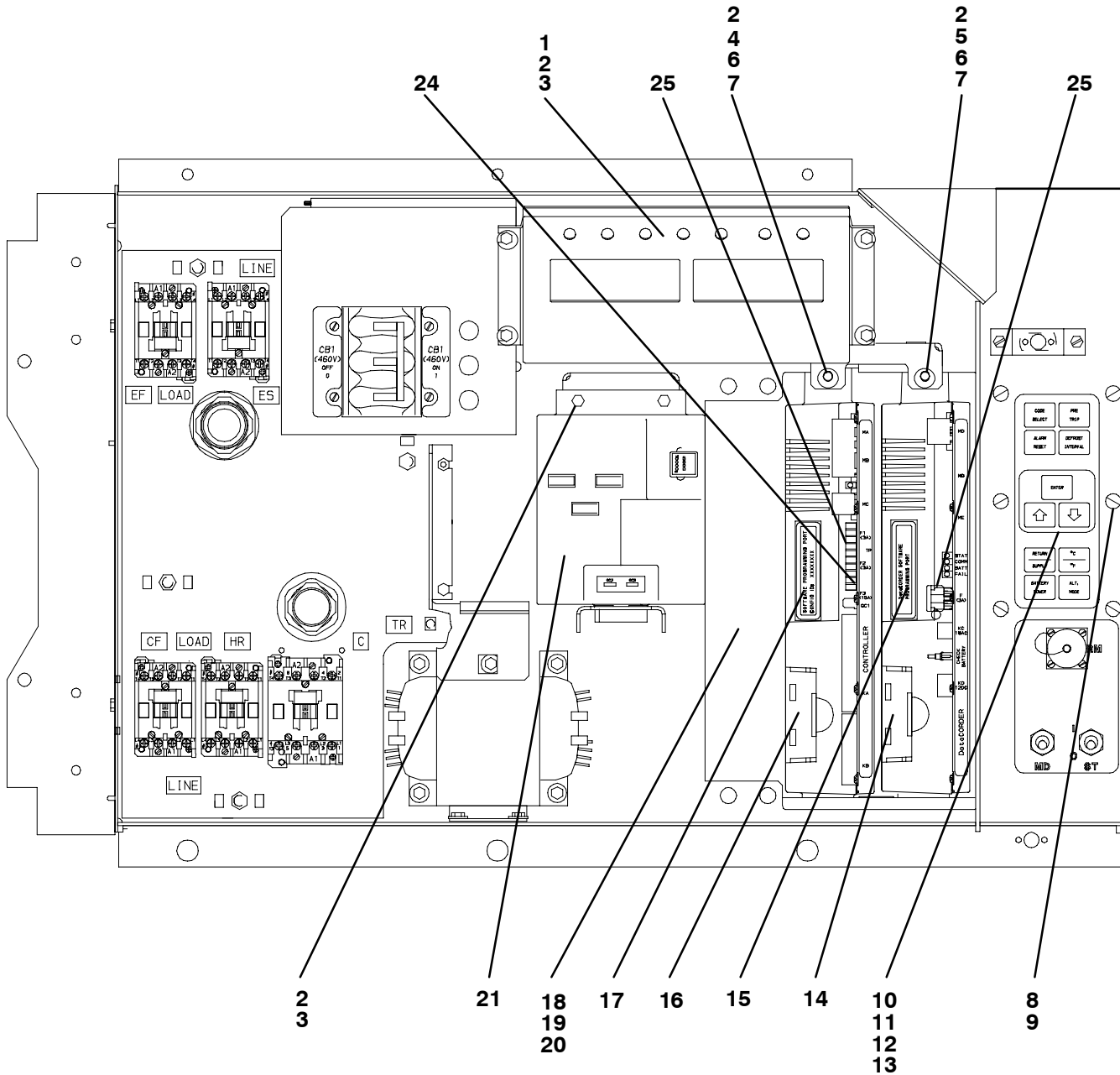
ITEM	PART NO.	DESCRIPTION	QTY
<b>3.3 CONTROL BOX</b>			
1	69NT41-783-23	Plate, Schematic & Diagram (NSI)	1
2	66U1-2403	Screw, Truss Head, #10-24 x 1/2 lg – SST	2
3	69NT43-125	Shield, High Voltage (Plastic) – Includes:	1
4	44-00343-00	Hinge	2
5	34-00928-02	Rivet, Blind, 1/8 Diameter, Grip Range – 1/8-3/16 – SST (NSI)	4
6	34-50015-00	Stud & Retainer Package – Includes:	2
NS	NSS	Stud, Fastener	1
NS	NSS	Retainer, Fastener Stud	1
7	34-06139-02	Receptacle	2
8	58-04146-00	Guide, Low Voltage Shield (NSI)	1
9	69NT43-124	Shield, Low Voltage (Lexan) – With Tether	1
10	69NT35-2008	Label, Welding Precautions (NSI) <b>NT0003, NT0042</b>	1
10	69NT35-2617	Label, Welding Precautions (NSI)	1
11	66CH1-1022-4	Label, High Voltage	1

**3.4 CONTROL BOX – HIGH AND LOW VOLTAGE SHIELDS REMOVED**



ITEM	PART NO.	DESCRIPTION	QTY
<b>3.4 CONTROL BOX – HIGH AND LOW VOLTAGE SHIELDS REMOVED</b>			
1	10-00333-00	Contact, Condenser Fan Motor, Heater & Evaporator Fan Motor (EF)	4
2	66U1-5391-3	Screw, Pan Head, (Thread Cutting) #8-32 x 3/4 lg – SST (NSI)	A/R
3	69NT35-3227	Panel, Contactor (NSI)	1
4	58-00967-00	Spacer (For Contactor Panel) (NSI)	4
5	34-00655-08	Screw, Hex Head, 1/4-20 x 1.00 lg – SST (NSI)	5
6	10-00333-02	Contact, Auxillary (2 N.C.)	1
7	58-00974-00	Plate, Blank <b>(For units w/o CB2)</b> (NSI) – Optional	1
8	34-00663-07	Washer, Lock, #6 – SST (NSI)	A/R
9	66U1-6651-19	Screw, Pan Head, #6-32 x 7/16 lg – SST (NSI)	6
10	66U1-7842-4	Circuit Breaker – 460 vac <b>(CB1)</b>	1
11	66U1-5321-7	Washer, Flat, 1/4 – SST	2
12	69NT43-155	Bracket, Circuit Breaker (NSI)	1
13	34-01142-01	Receptacle, Retaining (For Control Box Door)	2
14	22-02341-00	Receptacle, Remote Monitoring (RM) (Plastic) – Optional	1
NS	22-02368-00	Plug, Remote Monitoring – Optional	1
15	22-02341-01	Cap and Tether, Receptacle Assembly – Optional	1
16	66U1-6835	Gasket, Remote Monitoring Receptacle – Optional	1
17	10-01129-07	Switch, Toggle (On-Off)	1
18	66U1-9752	Seal, Bushing	A/R
19	58-04145-00	Plate, Switch (NSI) <b>NT0006, NT0012, NT0033, NT0042</b>	1
19	58-04145-01	Plate, Switch (NSI)	1
20	10-01129-10	Switch, Toggle (MDS)	1
21	34-00848-10	Screw, Round Head, #4-40 x 5/8 lg – SST (NSI)	4
22	66U1-5321-6	Washer, Flat, 0.125 ID – SST (NSI)	4
23	34-00667-05	Nut, Self Locking, #4-40 – SST	4
24	66U1-3633-3F07	Trim, Flexible (7 ft, Cut to length)	A/R
25	69NT35-2277	Bracket (NSI)	1
26	66U1-5381	Screw, Hex Head, (Thread Cutting) #10-24 x 1/2 lg – SST (NSI)	A/R
27	66U1-5321-8	Washer, Flat, #10 – SST	A/R
28	10-00332-00	Transformer, Base Unit	1
29	66U1-5371-7	Screw, Hex Head, #10-24 x 1/2 lg – SST (NSI)	A/R
30	10-00304-33	Contact, Compressor <b>(40 Amp)</b>	1

### 3.5 CONTROL BOX – MODULE SECTION



ITEM	PART NO.	DESCRIPTION	QTY
<b>3.5 CONTROL BOX – MODULE SECTION</b>			
1	12-00333-03	Module, Display – NEW	1
1	12-00333-23	Module, Display – Remanufactured	1
2	66U1-5371-7	Screw, Hex Head, #10-24 x 1/2 lg – SST (NSI)	A/R
3	69NT35-2692-4	Washer, Fender, 0.063 Thick – SST (NSI)	6
4	12-50031-16	Module, Controller – <b>See Note 1</b> – Includes:	1
4	12-50031-16RM	Module, Controller – <b>See Note 1</b> (Remanufactured) – Includes:	1
4	12-00367-04	Module, Controller – <b>See Note 2</b> – Includes:	1
4	12-00367-24	Module, Controller – <b>See Note 2</b> (Remanufactured) – Includes:	1
5	76-00656-15	Module, DataCORDER – <b>See Note 3</b> – Includes:	1
5	76-00656-65	Module, DataCORDER – <b>See Note 3</b> (Remanufactured) – Includes:	1
5	12-00358-01	Module, DataCORDER – <b>See Note 4</b> – Includes:	1
5	12-00358-21	Module, DataCORDER – <b>See Note 4</b> (Remanufactured) – Includes:	1
2	66U1-5371-7	Screw, Hex Head, #10-24 x 1/2 lg – SST (NSI)	1
6	69NT35-2692	Washer, Fender, 0.063 Thick – SST	1
7	58-01184-00	Retainer, Screw, 0.141 ID (NSI)	1
8	66U1-2403	Screw, Truss Head, #10-24 x 1/2 lg – SST	6
9	34-06053-05	Washer, Mylar, 0.205 ID x 0.600 OD	6
10	69NT43-159	Pad, Key – Includes:	1
11	42-01055-14	Gasket (Between Key Pad Plate Assembly and Connector) (NSI)	1
12	42-00271-00	Gasket (Between Key Pad and Key Pad Plate Assembly) (NSI)	1
13	69NT41-132	Plate Assembly, Key Pad Mounting (NSI)	1
14	30-00407-02SV	Battery Pack – DataCORDER Module – Optional	1
15	62-02534-00	Label, DataCORDER Software Programming Port	1
16	30-00407-00	Battery Pack – Controller Module – Optional	1
17	62-02719-00	Label, Controller Software Programming Port (NSI)	1
18	12-00275-04SV	Module, Communications Interface (RMU) – Includes:	1
18	12-00275-08SV	Module, Communications Interface (RMU) – Includes:	1
19	66U1-3442-2	Fastener	4
20	66U1-9212-1	Retainer	4
21	12-00329-00	Module, High Voltage – NEW	1
21	12-00329-20	Module, High Voltage – Remanufactured	1
22	12-00357-09	Card, Controller Configuration Software	1
23	12-00337-00	Card, DataCORDER Configuration Software	1
24	22-02336-06	Fuse, 15 Amp (F3)	1
25	22-02336-03	Fuse, 3 Amp (F, F1 & F2)	3
NS	12-00330-34	Card, Controller Operation Software	1
NS	12-00332-04	Card, DataCORDER Operation Software	1
NS	22-01713-04	Wire Harness, High Voltage Module to Controller Module	1
NS	22-01713-03	Wire Harness, Display Module to Controller Module	1
NS	22-01713-02	Wire Harness, Key Pad to Display Module	1
NS	22-01713-05	Wire Harness, Controller to DataCORDER	1

**NOTE 1:** The Controller module is configured to ID# 40036COA.

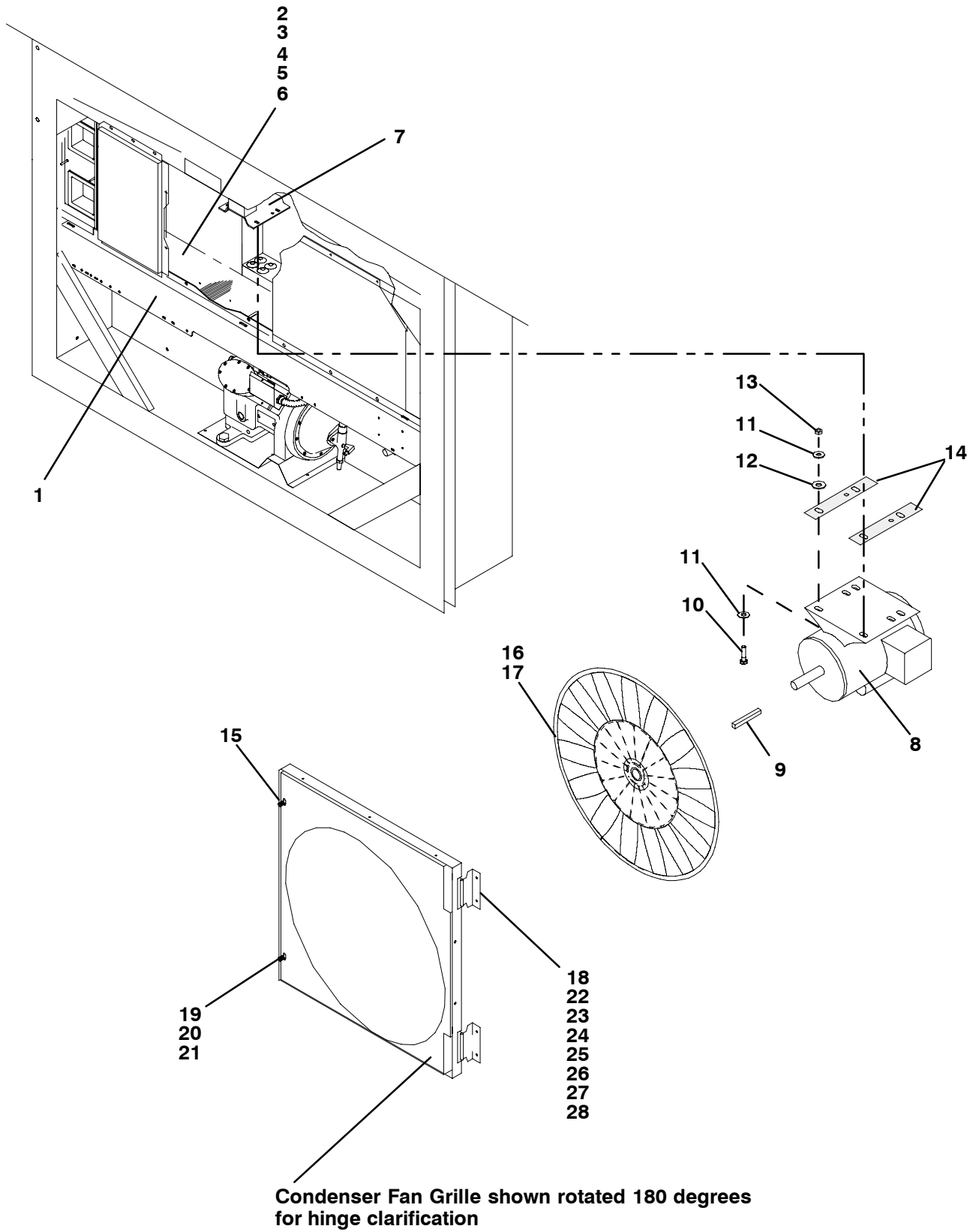
**NOTE 2:** The Controller module is shipped with the Operation Software pre-loaded, however, it must be programmed with the Configuration Software Card at time of installation.

**NOTE 3:** The DataCORDER is configured to ID# 00000044-X.

**NOTE 4:** The DataCORDER module is shipped with the Operation Software pre-loaded, however, it must be programmed with the Configuration Software Card at time of installation. Configuration may be performed through the Interrogator, refer to manual 62-02575.

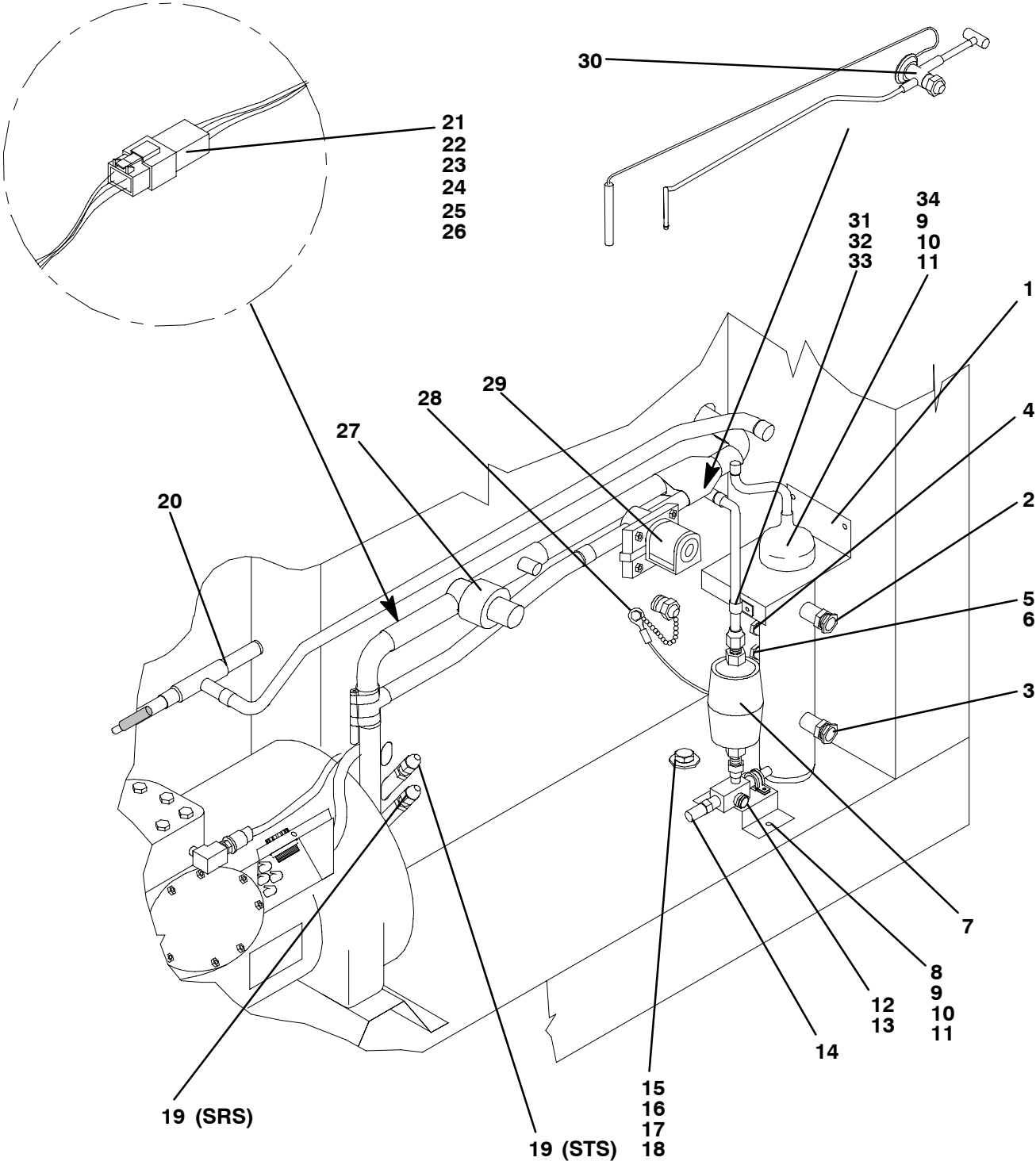


### 3.6 CONDENSER FAN MOTOR AND COIL SECTION



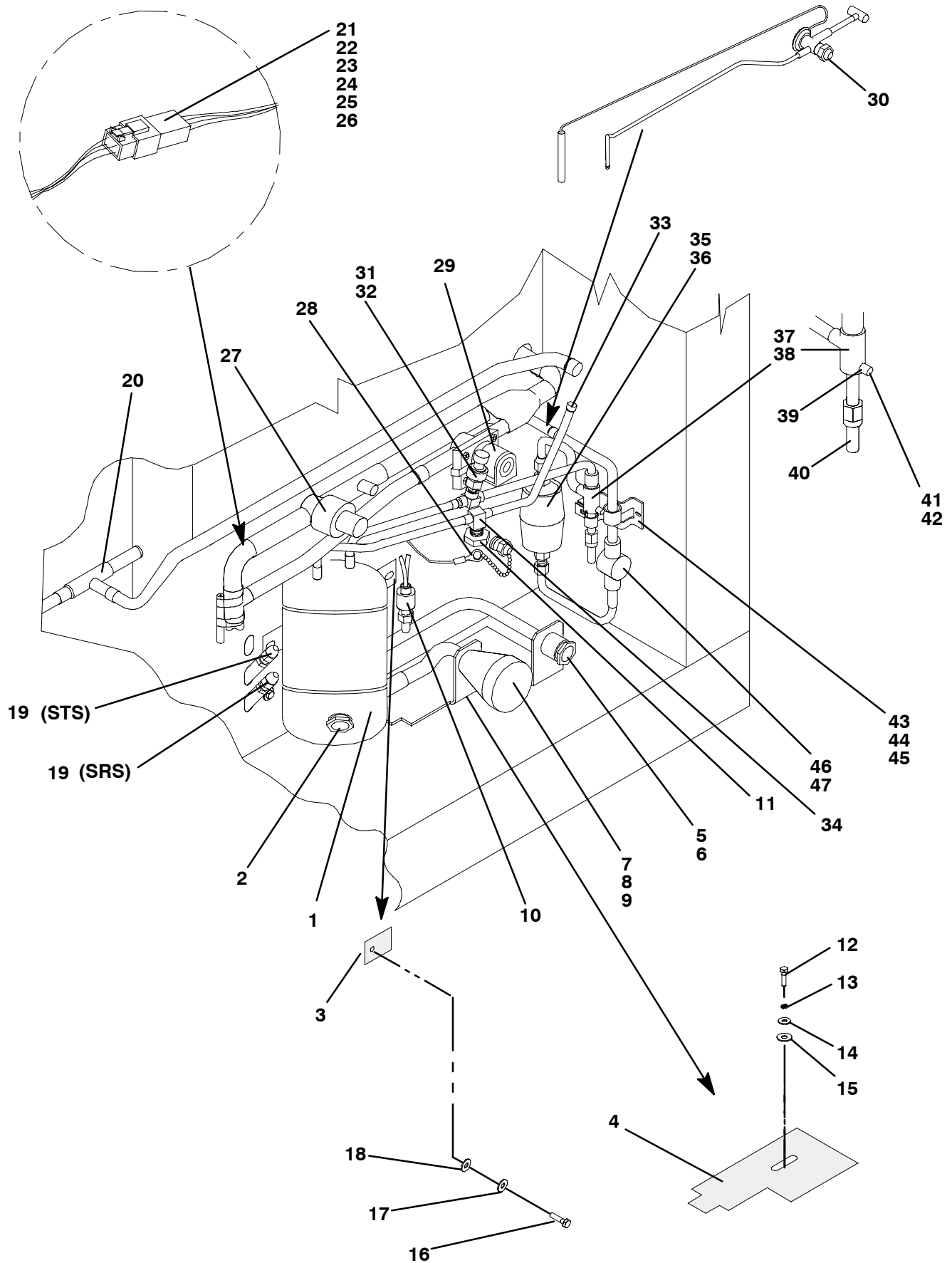
ITEM	PART NO.	DESCRIPTION	QTY
<b>3.6 CONDENSER FAN MOTOR AND COIL SECTION</b>			
1	69NT43-148-2	Cover, Condenser Coil	1
2	69NT43-202-2SV	Coil, Condenser (Copper, 4 row enhanced – <b>See Model Chart</b> ) – Includes Mylar Washers	1
2	69NT43-362-SV	Coil, Condenser (Copper, 4 row enhanced w/subcooler) – Includes Mylar Washers <b>NT0003</b> – <b>See Model Chart</b>	1
2	69NT43-362-2SV	Coil, Condenser (Copper, 4 row enhanced w/subcooler) – Includes Mylar Washers <b>NT0042</b> – <b>See Model Chart</b>	1
2	69NT43-202-4SV	Coil, Condenser (Copper, 2 row enhanced – <b>See Model Chart</b> ) – Includes Mylar Washers	1
NS	69NT35-8703	Protector (Apply between frame and coil & coil cover)	4
3	66U1-5361-25	Capscrew, Hex Head, 1/4-20 x 3/4 lg – SST (NSI)	10
4	66U1-5321-7	Washer, Flat, 1/4 – SST	10
5	58-50013-02	Washer, Mylar, 1/4 ID X 3/4 OD	10
6	58-50013-04	Washer, Mylar, 1/4 ID X 1.00 OD	2
NS	34-06053-05	Washer, Mylar, 13/64 ID X 39/64 OD	2
NS	58-04026-00	Protector, Mylar (Apply between coil mounting & frame RH side)	1
NS	58-04026-03	Protector, Mylar (Apply to top side center coil mounting)	1
NS	58-04026-04	Protector, Mylar (Apply between coil mounting & frame, RH & LH sides)	2
NS	58-04026-06	Protector, Mylar (Apply to center between frame & coil & coil cover)	2
NS	58-04026-08	Protector, Mylar (Apply to top side of coil bracket, RH & LH sides)	2
NS	58-04026-09	Protector, Mylar (Apply under coil center bracket attached to frame)	1
NS	58-04026-10	Protector, Mylar (Apply between coil & coil cover, RH & LH sides)	2
NS	58-04026-11	Protector, Mylar (Apply between coil mounting & frame LH side)	1
7	69NT35-3547	Bracket, Condenser Motor Mount	1
8	54-00516-00SV	Motor, Condenser Fan – Includes:	1
9	PL	Key, 3/16 Square x 1-3/8 lg – SST	1
NS	54-00122-21	Bearing	2
NS	22-50088-00	Capacitor	1
10	66U1-5361	Screw, Hex Head, 5/16-18 x 1-1/4 lg – SST (NSI)	4
11	34-01181-01	Washer, Flat, 5/16 – SST (NSI)	8
12	58-50013-00	Washer, Mylar, 1.0 OD x 3/8 ID	4
13	34-00667-12	Locknut, 5/16-18 – SST (NSI)	4
14	69NT35-6112	Protector, Condenser Fan Motor Mounting	2
15	69NT43-228	Grille and Venturi Assembly	1
16	38-00503-00	Fan, Condenser ( <b>17-1/2 diameter</b> ) – <b>Composite</b> – Includes:	1
17	PL	Set Screw, Square Head, 5/16-24 x 5/8 lg – SST	2
18	34-06053-05	Washer, Mylar, 13/64 ID x 39/64 OD	4
19	66U1-6811-12	Screw, Retaining – Phillips Head, 0.300 – 0.625 (NSI)	2
20	34-01226-00	Washer, Retaining – Nylon	2
21	58-50013-00	Washer, Mylar – 0.250 ID x 0.800 OD	2
22	44-01116-00	Hinge	2
23	66U1-2403	Screw, Truss Head, #10-24 x 1/2 lg – SST	4
24	66U1-5331-3	Washer, Lock, #10 – SST	4
25	66U1-5321-8	Washer, Flat, #10 – SST	4
26	58-04101-00	Protector, Mylar (Apply between Grille Hinge and Frame)	2
27	58-04101-01	Protector, Mylar (Apply between Grille and Retaining Nut)	2
28	34-01167-01	Nut, Retaining	2

**3.7 RECEIVER AND TUBING SECTION**



ITEM	PART NO.	DESCRIPTION	QTY
<b>3.7 RECEIVER AND TUBING SECTION</b>			
1	69NT43-403-2	Receiver, Electro-Coated Modular, Copper – Includes:	1
2	14-00220-01	Glass, Sight, w/red balls – 1/2 npt	1
3	14-00221-01	Indicator, Moisture-Liquid	1
4	14-01032-14	Plug, Fusible, 3/8 npt – Brass	1
4	14-00213-04	Disc, Rupture – 3/8 npt (NSI) – Optional	1
5	12-00352-00	Transducer, Condenser Pressure (CPT)	1
6	EC39DM062	Valve, Schrader	1
7	66U1-7472-1	Filter-Drier	1
8	69NT35-277	Bracket, Liquid Line Valve (NSI)	1
9	66U1-5361-25	Screw, Hex Head, 1/4-20 x 3/4 lg – SST (NSI)	A/R
10	66U1-5321-7	Washer, Flat, 1/4 – SST	3
11	58-50013-02	Washer, Mylar, 0.250 ID x 0.800 OD	4
12	40-00520-01	Coupling, M15 – Brass – Includes:	1
13	40-00520-03	Cap, Service Port	1
14	14-00222-00	Valve, Liquid Line	1
15	66U1-5361-7	Bolt, Hex Head, 3/8-16 x 1.00 lg – SST (NSI)	1
16	AU11JR241	Washer, Lock, 3/8 – SST	1
17	66U1-5321-5	Washer, Flat, 3/8 – SST (NSI)	1
18	58-50013-00	Washer, Mylar, 0.375 ID x 1.00 OD	1
19	12-00380-00SV	Sensor Assembly (STS & SRS)	2
20	14-00204-00	Valve, Pressure Regulator	1
21	22-01613-08	Receptacle, 4 Pin (SSV/SMV)	1
22	22-01613-09	Lock, Secondary, 4 Pin (SSV/SMV)	1
23	22-01613-12	Contact, Pin #16 (SSV/SMV)	4
24	22-01613-10	Plug, 4 Pin (SSV/SMV)	1
25	22-01613-11	Lock, Secondary, 4 Pin (SSV/SMV)	1
26	22-01613-13	Contact, Socket #16 (SSV/SMV)	4
27	–	Valve, Modulating Solenoid – Refer to Section 3.15	–
28	12-00305-04	Sensor, Ambient Thermistor (AMBS)	1
29	–	Valve, Suction Solenoid – Refer to Section 3.14	–
30	14-00212-01	Valve, Quench, Thermostatic Expansion	1
31	66U1-3632-5	Clamp, Tube, 1/2 inch Diameter Cushion	1
32	66U1-5371-6	Screw, Hex Head, Slotted, #10-24 x 3/4 lg – SST (NSI)	1
33	34-06053-05	Washer, Mylar, 0.205 ID x 0.600 OD	1
34	58-04026-23	Protector, Mylar (NSI)	1

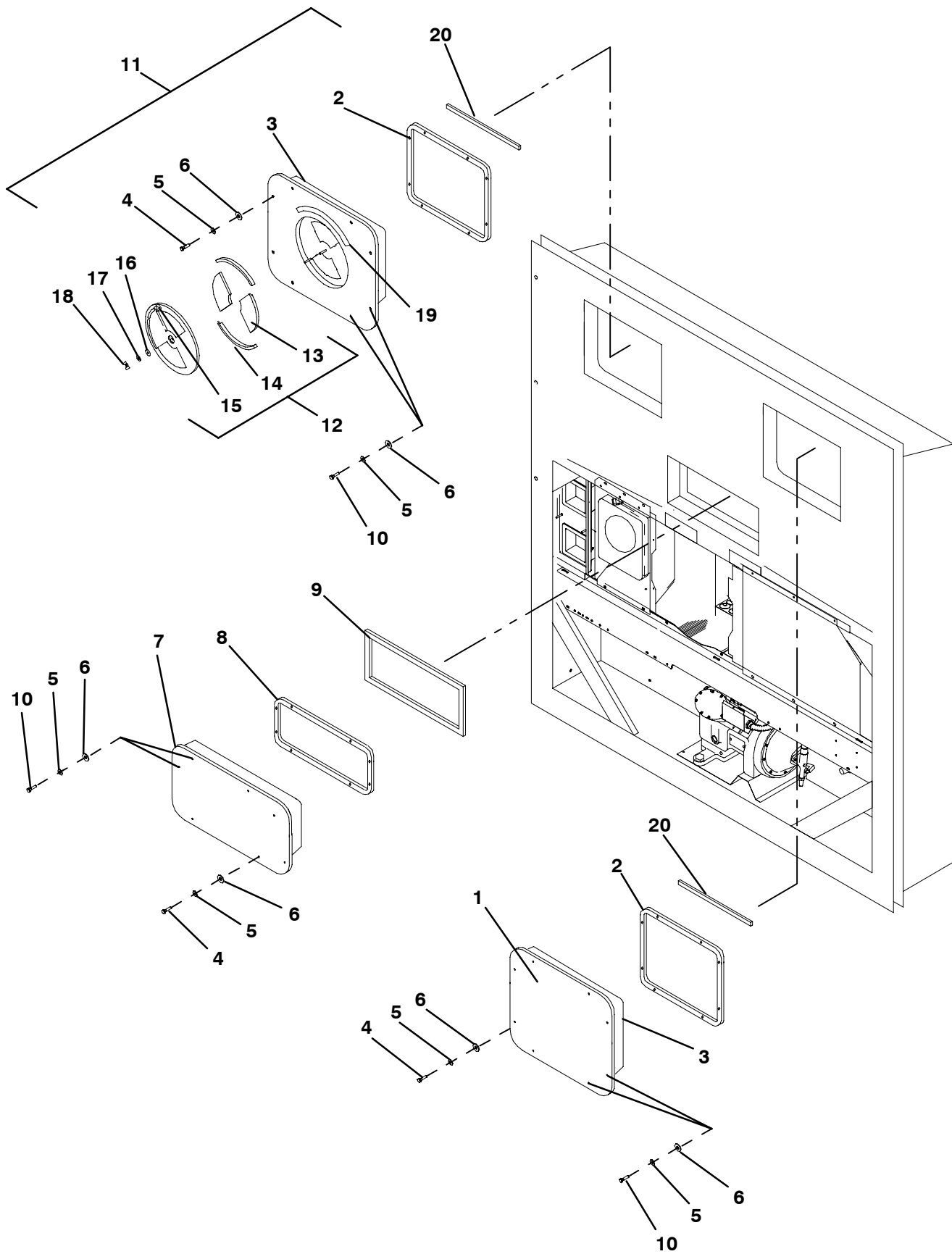
### 3.8 WATER-COOLED CONDENSER AND TUBING SECTION



ITEM	PART NO.	DESCRIPTION	QTY
<b>3.8 WATER-COOLED CONDENSER AND TUBING SECTION</b>			
–	69NT42-914	Kit, Condenser/Receiver (For Field Installation – See NOTE) – Includes:	1
1	69NT42-914-1	Condenser/Receiver ( <b>See Model Chart</b> ) – Includes:	1
2	14-00220-00	Sight Glass, w/red balls, 1/2 npt	1
3	58-00956-00	Protector, Mylar	2
4	58-00957-00	Protector, Mylar	1
5	66U1-2763-5	Coupling (Water-In)	1
6	66U2-1142	Cap, Dust	1
7	40-01129	Coupling, Self Draining – Includes:	1
8	42-50000	Seal, O-Ring	1
9	66U2-1152	Cap, Dust	1
10	12-01071-01SV	Switch, Water Pressure	1
11	14-00215-03	Disc, Rupture, 3/8 npt	1
12	66U1-5361-7	Bolt, Hex Head, 3/8-16 x 1.00 lg – SST (NSI)	1
13	66U1-5321-5	Washer, Flat, 3/8 – SST (NSI)	1
14	AU11JR241	Washer, Lock, 3/8 – SST	1
15	58-50013-00	Washer, Mylar, 3/8 ID x 1.00 OD	1
16	66U1-5361-25	Capscrew, Hex Head, 1/4-20 x 3/4 lg – SST (NSI)	2
17	66U1-5321-7	Washer, Flat, 1/4 – SST	2
18	58-50013-02	Washer, Mylar, 1/4 ID x 13/16 OD	2
19	12-00380-00SV	Sensor Assembly (STS & SRS)	2
20	14-00204-00	Valve, Pressure Regulator	1
21	22-01613-08	Receptacle, 4 Pin (SSV/SMV)	1
22	22-01613-09	Lock, Secondary, 4 Pin (SSV/SMV)	1
23	22-01613-12	Contact, Pin #16 (SSV/SMV)	4
24	22-01613-10	Plug, 4 Pin (SSV/SMV)	1
25	22-01613-11	Lock, Secondary, 4 Pin (SSV/SMV)	1
26	22-01613-13	Contact, Socket #16 (SSV/SMV)	4
27	–	Valve, Modulating Solenoid – Refer to Section 3.15	–
28	12-00305-04	Sensor, Ambient Thermistor (AMBS)	2
29	–	Valve, Suction Solenoid – Refer to Section 3.14	–
30	14-00212-01	Valve, Quench, Thermostatic Expansion	1
–	76-00677-00	Accessory Kit, Water-Cooled Condenser Tubing – Includes:	–
31	06DA403-844	Valve, Schrader	1
32	12-00352-00	Transducer, Condenser Pressure (CPT)	1
33	69NT41-477	Tube Assembly (NSI) – Includes:	1
34	DE41CA203	Tee, 1/2 x 1/2 x 3/8 npt – Brass	1
35	66U1-7472-1	Filter-Drier	1
36	69NP20-1031	Clamp, Filter-Drier – Includes:	1
NS	58-50014-00F16	Gasket (16 ft., Cut to length)	1
37	69NT41-497	Tube Assembly (NSI) – Includes:	1
38	66U1-8552-2	Valve, Liquid Line – Includes:	1
39	40-00086-04	Cap, Flare – 1/4	1
40	17-21002-01	Cap, Valve	1
41	40-00520-01	Coupling, M15 – Brass – Includes:	1
42	40-00520-03	Cap, Service Port	1
43	69NT35-3387	Bracket (NSI)	1
44	66U1-5381-1	Screw, Hex Head, #10-24 x 3/4 lg – SST	2
45	58-50013-04	Washer, Mylar, 0.205 ID x 0.600 OD	2
46	69NT41-487	Tube Assembly (NSI) – Includes:	1
47	14-01092-03	Indicator, Liquid Moisture – Brass	1

NOTE: Must order condenser tubing accessory kit P/N 76-00677-00 when ordering P/N 69NT42-914 for field installation on units provisioned for a water-cooled condenser.

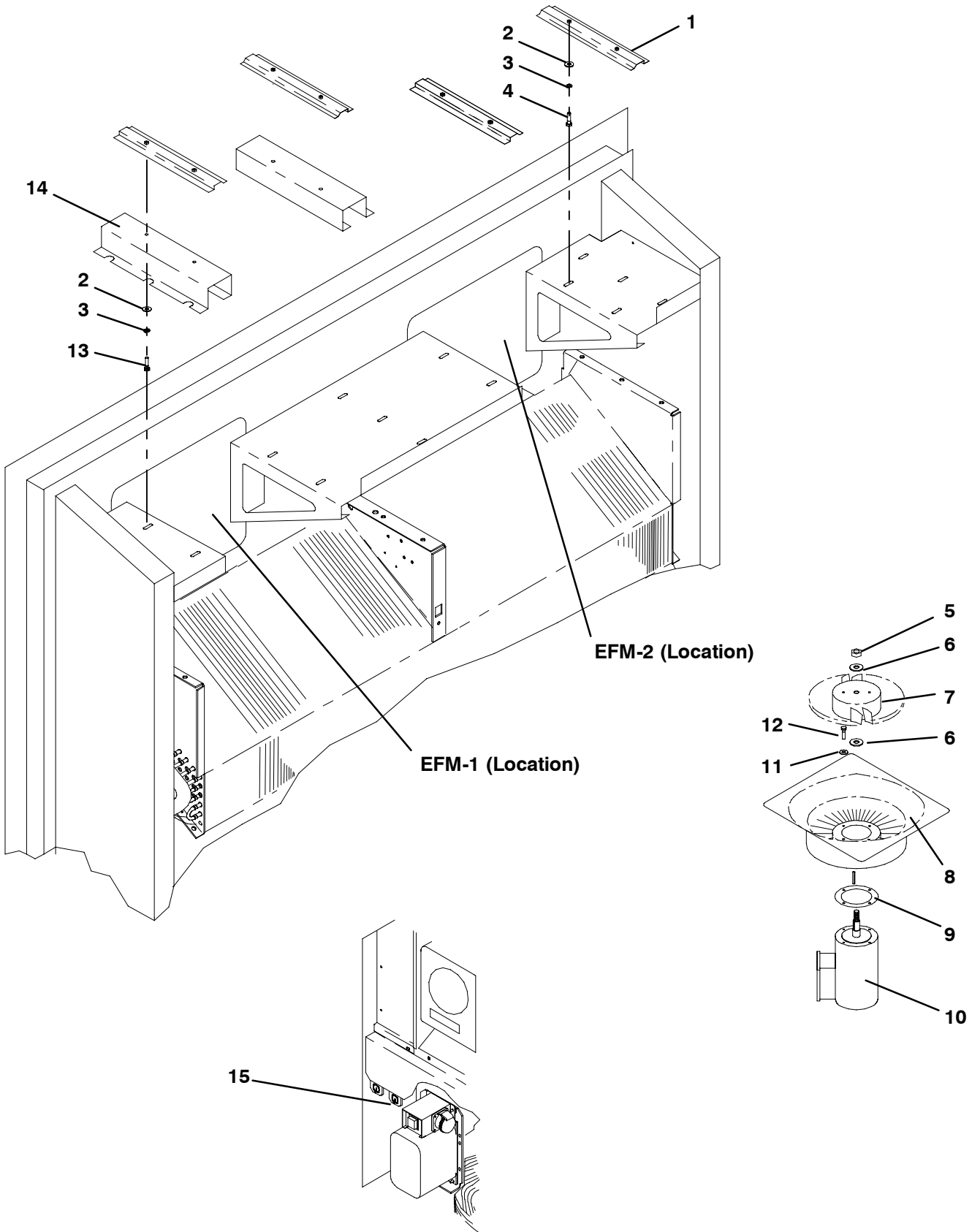
### 3.9 FRESH AIR MAKEUP AND ACCESS PANEL SECTION



ITEM	PART NO.	DESCRIPTION	QTY
<b>3.9 FRESH AIR MAKEUP AND ACCESS PANEL SECTION</b>			
1	69NT41-912	Panel, Access w/Retaining Washers <b>NT0003,NT0006,NT0012</b> – Includes:	1
1	69NT41-912-10	Panel, Access – Includes:	1
2	42-00296-01	Gasket	1
3	42-00327-00	Gasket, – 0.26 x 0.50 Halfmoon	1
4	34-00655-08	Capscrew, Hex Head, 1/4-20 x 1 lg – SST (NSI)	18
5	34-00662-11	Washer, Flat, 1/4 – SST	24
6	58-50013-02	Washer, Mylar,1/4 ID X 0.80 OD	24
7	69NT41-912-1	Panel, Access w/retaining washers <b>NT0003,NT0006,NT0012</b> – Includes:	1
7	69NT41-912-11	Panel, Access – Includes:	1
8	42-00296-00	Gasket	1
9	66U1-8115-F20	Gasket, Access Panel, Seal – Adhesive back, Pressure sensitive, 4.0 x 1/2 thick (20 ft, Cut to length)	1
10	34-06154-00	Screw, Hex Head, 1/4-20 x 1.00 lg – TIR	6
11	69NT41-932-4	Panel w/Retaining Washers and Medfly screen, Fresh Air Makeup <b>NT0003,NT0006,NT0012</b> – Includes:	1
11	69NT41-932-12	Panel, Fresh Air Makeup – Includes:	1
2	42-00296-01	Gasket	1
3	42-00327-00	Gasket, – 0.26 x 0.50 Halfmoon	1
12	69NT41-932-1	Disc Assembly – Includes:	1
13	42-00325-00	Gasket (NSI)	2
14	42-00332-00	Gasket (NSI)	2
15	66CH1-1002-33	Label, Arrow (NSI)	1
16	58-50013-04	Washer, Mylar, 1.00 OD x 0.25 ID	1
17	69NT35-2692-1	Washer, Fender, 1/4 (NSI)	1
18	66U1-5362-1	Nut, Wing, 1/4-20	1
19	62-02723-00	Label, Fresh Air – English	1
19	62-02723-02	Label, Fresh Air – English/Spanish <b>NT0003, NT0042</b>	1
20	66U1-2552-185	Gasket, 0.75 x 1.5 x 16.63 (NSI)	2



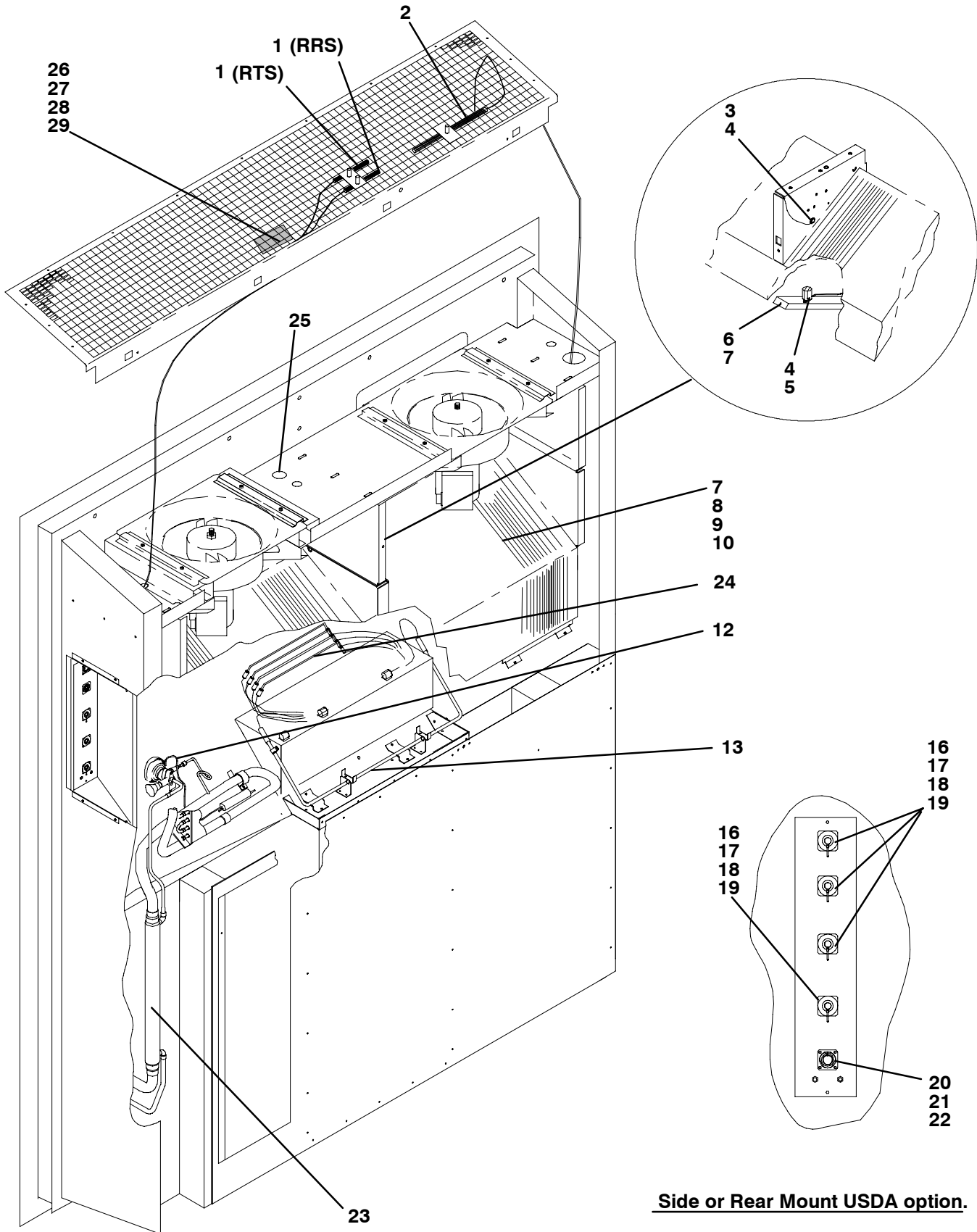
### 3.10 EVAPORATOR FAN ASSEMBLY AND TRANSFRESH OPTION



Partial view of the lower left corner of the unit.

ITEM	PART NO.	DESCRIPTION	QTY
<b>3.10 EVAPORATOR FAN ASSEMBLY AND TRANSFRESH OPTION</b>			
1	69NT43-295	Mounting Bracket, Evaporator Fan Assembly	4
2	69NT35-2692-1	Washer, Fender (NSI)	8
3	34-00663-11	Washer, Lock, 1/4 – SST (NSI)	8
4	34-00655-10	Screw, Hex Head – 1/4-20 x 1.25 lg – SST (NSI)	8
5	34-00795-17	Nut, Self Locking, 5/8-18 – SST (NSI)	2
6	66U1-5321-9	Washer, Flat, 5/8 – SST (NSI)	4
7	38-00508-00	Fan, Evaporator	2
8	48-00262-00	Stator, Evaporator	2
9	58-04066-00	Protector – Mylar	2
10	54-00521-01	Motor, Evaporator Fan	2
11	34-00829-11	Washer, Flat, 1/4 – SST (NSI)	8
12	34-06165-06	Screw, Hex Head, 1/4-20 x 3/4 lg – SST (NSI)	8
–	76-00681-00	Kit, Transfresh Field Installation (For units with NO Transfresh Provision) – Includes:	–
13	34-00655-28	Screw, Hex Head, 1/4-20 x 3-1/2 lg – SST (NSI)	4
14	69NT35-6348	Bracket	2
NS	58-04242-00	Pipe Assembly, PVC (NSI)	1
15	69NT35-8734-4	Cable Assembly, Transfresh Communications Connector (TCC) (NSI)	1
NS	69NT35-8734-1	Cable Assembly, Rear (Transfresh) (NSI)	1
NS	69NT35-8734-9	Cable, Power – A2C (Transfresh) (NSI)	1
NS	69NT35-8734-5	Hose Assembly, Air (Transfresh) (NSI)	1
NS	69NT35-8734-6	Fuse Assembly, In-line (Transfresh) (NSI)	1

3.11 EVAPORATOR COIL SECTION – REAR PANELS REMOVED



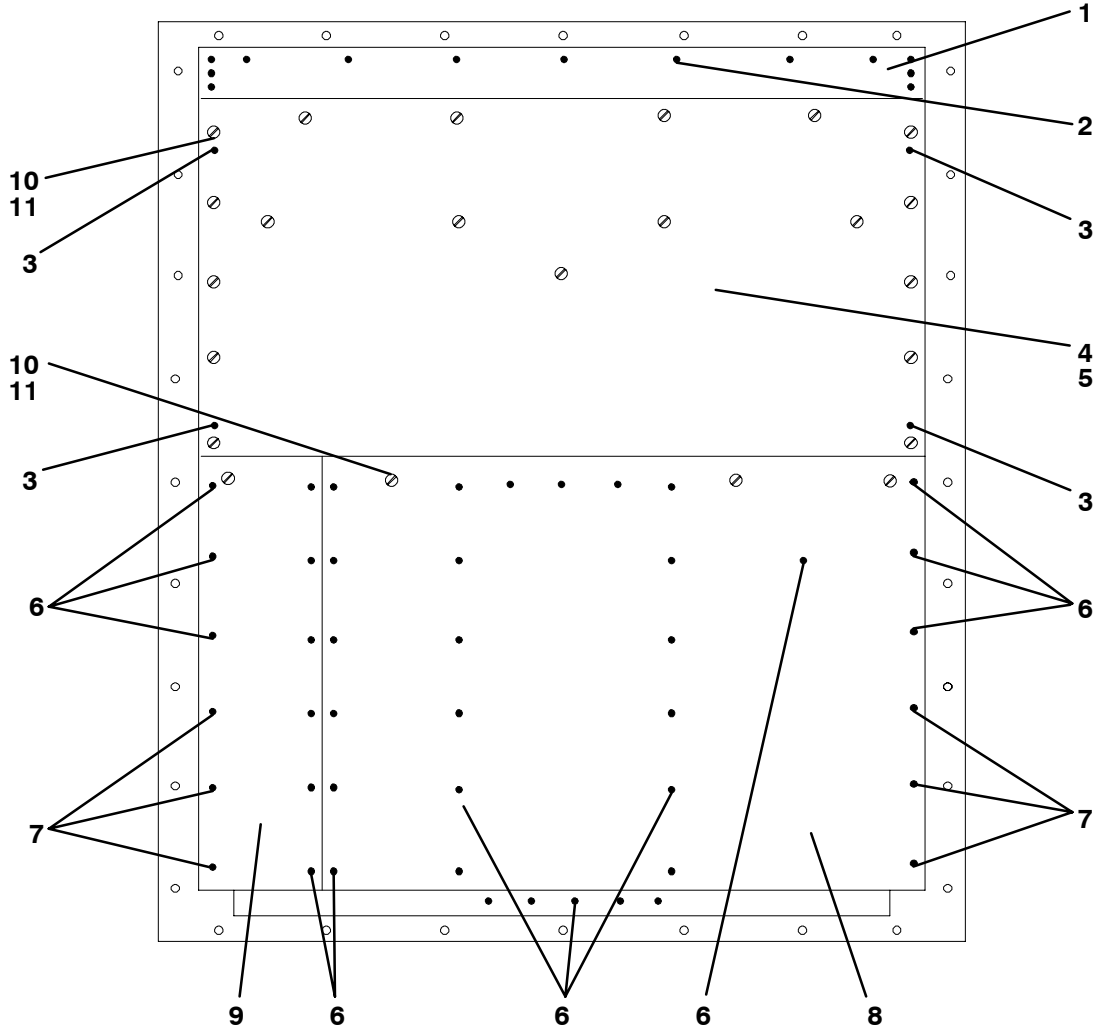
**Side or Rear Mount USDA option.**

ITEM	PART NO.	DESCRIPTION	QTY
<b>3.11 EVAPORATOR COIL SECTION – REAR PANELS REMOVED</b>			
1	12-00380-00SV	Sensor Assembly (RRS & RTS)	2
2	–	Sensor, Thermistor, (Recording Thermometer) – Refer to Section 3.16	–
3	12-00305-05	Sensor, Thermistor, Defrost (DTS)	1
4	34-01178-22	Screw, Hex Head, #8-32 x 1/2 lg – SST (For mounting DTS) (NSI)	3
5	66U1-6912-16	Thermostat, Heat Termination (HTT)	1
6	PL	Capscrew, Hex Head, 1/4-20 x 1/2 lg	1
7	PL	Washer, Lock, 1/4 – SST	10
8	69NT43-208-3	Coil, Evaporator (Does not include thermostats or heaters)	1
NS	69NT35-6522	Retainer (For Heaters)	3
NS	69NT35-6532	Clip (For Heaters)	4
9	PL	Capscrew, Hex Head, 1/4-20 x 3/4 lg – SST	9
10	PL	Washer, Flat, 1/4	A/R
11	PL	Screw, Lag, 1/4 x 2 lg	1
12	–	Valve, Thermostatic Expansion – (Location) Refer to Section 3.13	–
13	24-00003	Heater, Drain Pan	1
14	22-01660-03	Receptacle, Interrogator (ICR) (NSI)	1
15	69NT43-176	Cap, Dust, with Tether (5 Pin Receptacle)	1
16	22-01613-12	Contact, Pin #16 (Used with 22-01660-00 & 22-01660-03)	8
17	22-01660-08	Plug, Sealing	4
NS	22-01660-04	Plug, Socket (ICR) – Optional	1
18	69NT43-175	Cap, Dust, with Tether (3 Pin Receptacle)	4
19	22-01660-00	Receptacle – 3 Pin (PR1, PR2, PR3, Cargo Probe 4) (NSI)	4
20	22-02413-00	Cap and Chain (Used with P/N 22-02412-00)	1
21	22-02412-00	Receptacle, Interrogator – 5 Pin	1
* 22	22-02398-02	Socket, Contact ( <b>Silver Plated</b> )	5
* 22	22-02398-03	Socket, Contact ( <b>Gold Plated</b> )	5
NS	12-00342-00	Sensor Assembly (USDA) – Optional – Includes:	4
NS	22-01660-01	Plug, Socket (PR1, PR2, PR3, Cargo Probe 4) – Optional	1
NS	22-01613-13	Contact, Socket #16 ( <b>Used with 22-01660-01 &amp; 22-01660-04</b> )	3
23	65-00144-00	Exchanger, Heat	1
24	24-00006-02	Heater, Evaporator Coil	4
NS	66U1-3803-1	Tube, Heat Shrink, 1/2 x 2-3/4 lg	A/R
25	58-00616-00	Plug, Hole (2 inch diameter) (Located on Fan Deck)	1
26	10-00318-00	Sensor, Humidity (HS) ( <b>See Model Chart</b> )	1
27	66U1-5371-10	Screw, Hex Head, #10-24 x 1.00 lg – SST – Optional (NSI)	4
28	66U1-5321-8	Washer, Flat, #10 – SST	2
29	69NT41-182	Bracket Assembly, Humidity Sensor – Optional	1

\* **NOTE:** Do not mix silver pins with gold pins and sockets.

ITEM	PART NO.	DESCRIPTION	QTY
------	----------	-------------	-----

**3.12 EVAPORATOR COIL SECTION – REAR PANELS ATTACHED**

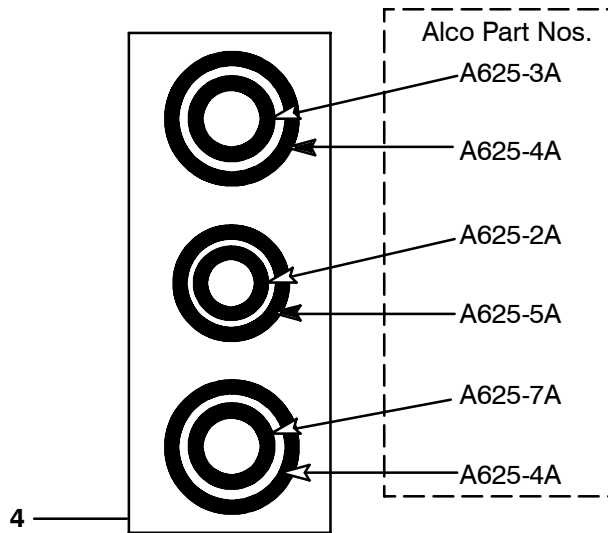
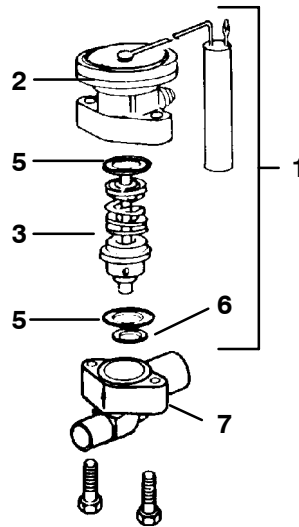


**UNITS WITH BOLTED PANELS**

1	69NT43-264	Grille, Top	1
2	34-00928-09	Rivet, Blind, 5/16 Diameter, Grip Range – 1/8-1/4 (NSI)	17
3	66U1-7982-2	Rivet, TIR, 3/16 Diameter, Grip Range – 5/64-11/64 (NSI)	4
4	69NT41-942	Panel Assembly, Upper – Includes:	1
NS	NSS	Drain Pan, Side (Location – Behind upper panel)	2
NS	NSS	Drain Pan, Center (Location – Behind upper panel)	1
5	42-00334-00	Gasket (Location – Behind upper panel)	1
6	34-00928-02	Rivet, Blind, 1/4 Diameter, Grip Range – 1/8-3/16 (NSI)	41
7	34-00928-03	Rivet, Blind, 1/4 Diameter, Grip Range – 3/16-1/4 (NSI)	6
8	69NT35-6738	Panel, Bottom	1
9	69NT35-6738-1	Panel, Bottom (Provision for heat exchanger location)	1
10	66U1-2403	Screw, Machine, Truss Head, #10-24 x 1/2 lg – SST	18
11	69NT35-2692	Washer, Fender, #10 x 1.00 OD – SST	18
NS	66U1-8075-F25	Gasket (25 ft, Cut to length)	A/R

ITEM	PART NO.	DESCRIPTION	QTY
------	----------	-------------	-----

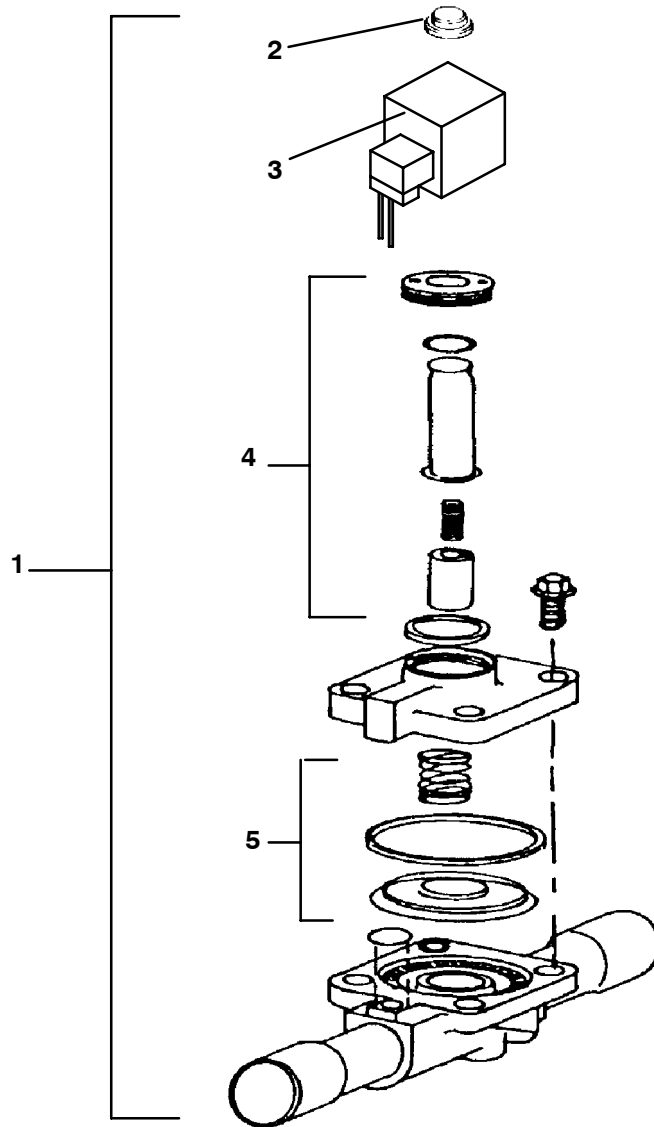
3.13 THERMOSTATIC EXPANSION VALVE – Alco



1	14-01104-17	Kit, Repair – Includes:	1
2	NSS	Power Head Assembly and Gasket, Item 5	1
3	NSS	Cage Assembly and Gasket, Item 6	1
4	66U1-6225	Gasket Set, Universal – Includes:	1
5	NSS	Gasket, Body Flange A625-4A	2
6	NSS	Gasket, Seat – A625-2A	1
7	66U1-1214-13	Flange, Body (NSI)	1

ITEM	PART NO.	DESCRIPTION	QTY
------	----------	-------------	-----

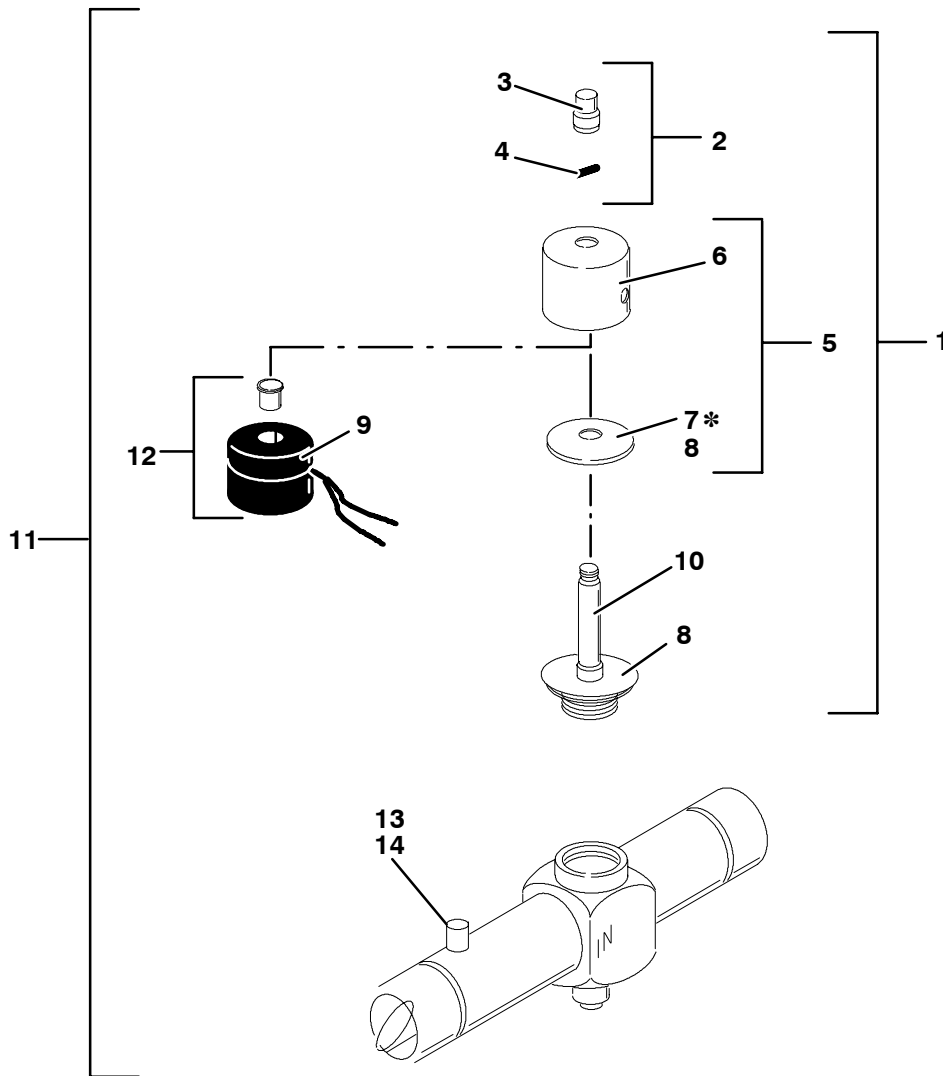
3.14 SUCTION SOLENOID VALVE – Alco



1	14-00230-00	Solenoid Valve, Suction – Includes:	1
2	17-40408-02	Cap, Snap	1
3	14-00230-21	Coil	1
4	14-50025-00	Kit, Repair	1
5	14-50026-00	Kit, Repair Diaphragm	1

ITEM	PART NO.	DESCRIPTION	QTY
------	----------	-------------	-----

**3.15 MODULATING SOLENOID VALVE**

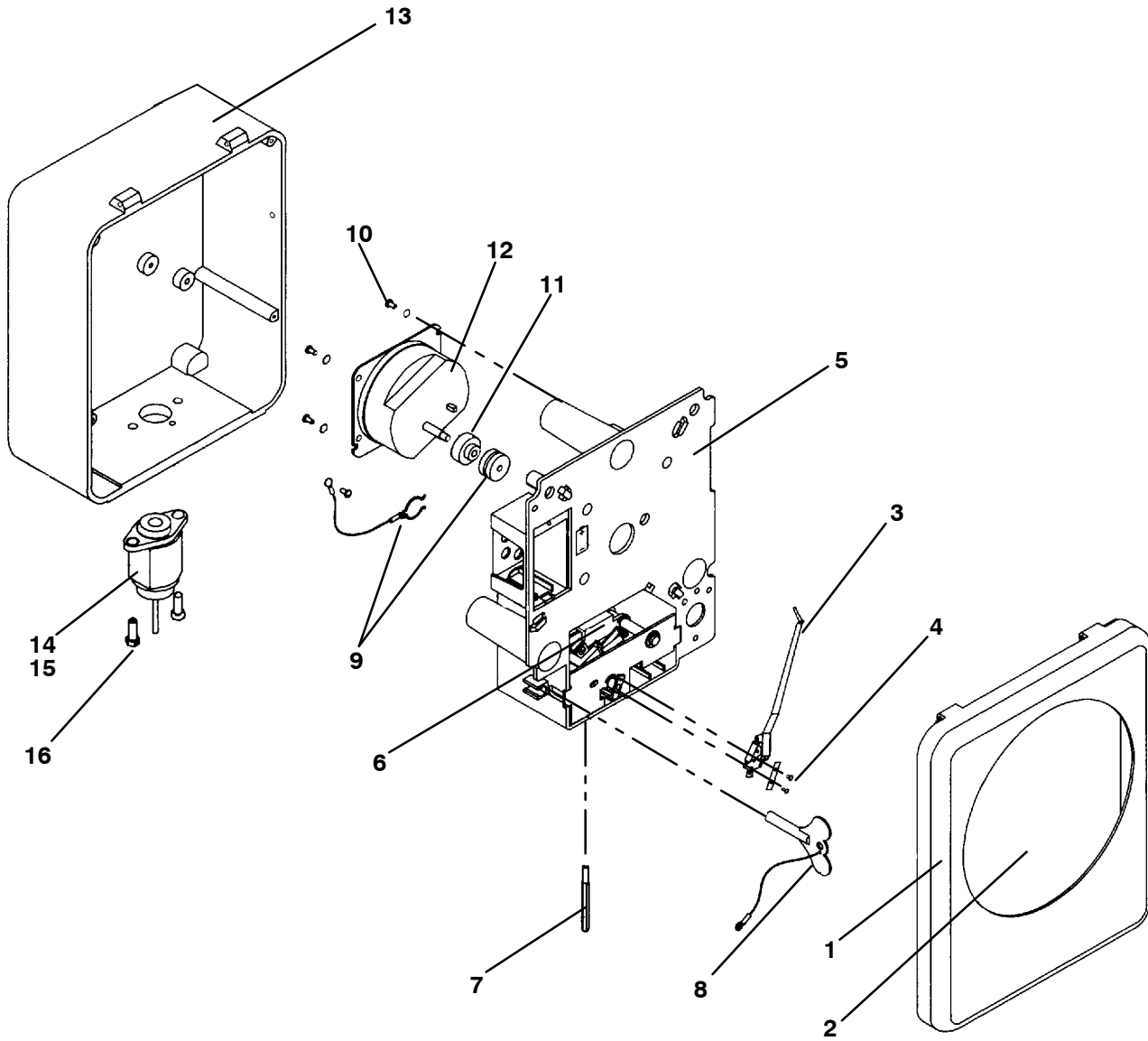


1	14-50021-01	Kit, Enclosing Tube & Coil Housing – Includes:	1
2	14-50021-03	Nut, Coil – Includes:	1
3	NSS	Nut, Coil	1
4	NSS	O-Ring, Coil Nut	1
5	14-50021-04	Housing, Coil – Includes:	1
6	NSS	Housing, Coil	1
* 7	NSS	Plate, Coil Bottom	1
8	NSS	O-Ring, Coil Bottom Plate	1
9	NSS	Sleeve, Solenoid Coil	1
10	NSS	Tube Assembly, Coil Plate & Enclosing	1
11	14-00219-00	Valve, Modulating Solenoid – Includes:	
12	14-50021-02	Coil, Solenoid – Includes:	1
9	NSS	Sleeve, Solenoid Coil	1
13	14-00219-01	Core, Valve (Schrader Valve)	1
14	40-00520-02	Cap, Service	1

\* NOTE: Coil bottom plate is only supplied in Kit 14-50021-04 as a separate item for use on early style enclosing tube assemblies.

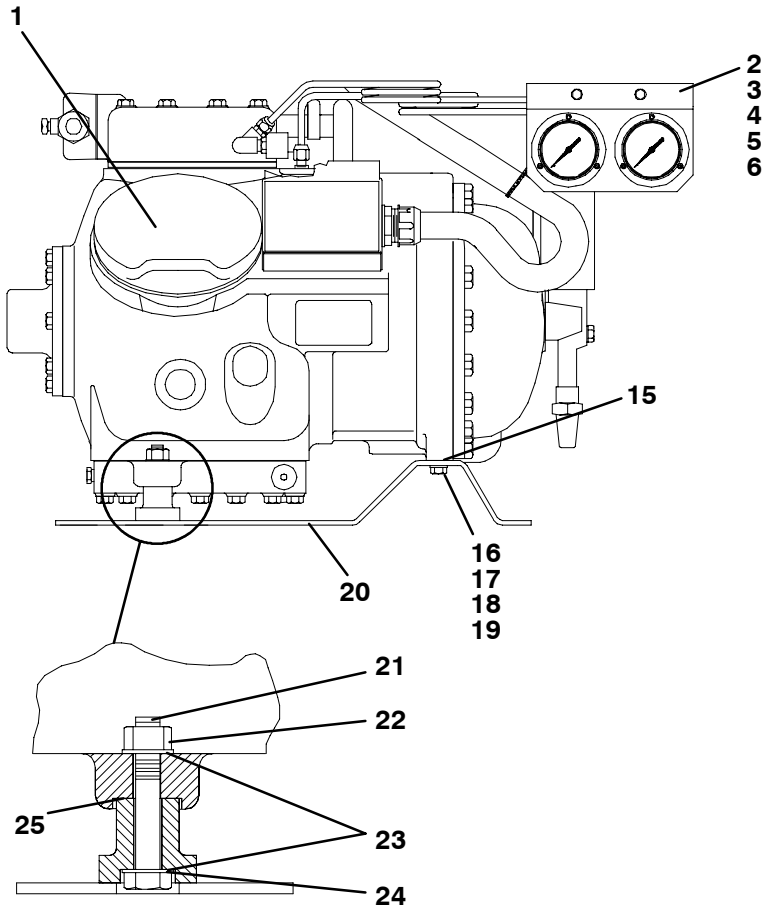


3.16 RECORDING THERMOMETER (PARTLOW)

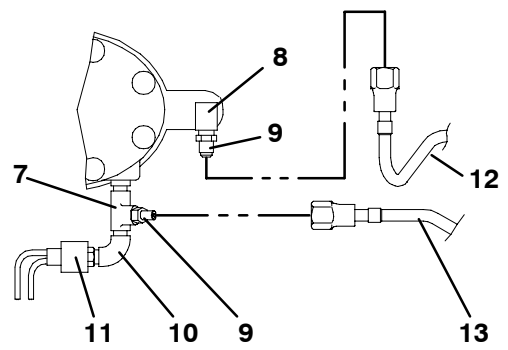


ITEM	PART NO.	DESCRIPTION	QTY
<b>3.16 RECORDING THERMOMETER (PARTLOW)</b>			
–	12-00348-05	Recording Thermometer ( <b>See Model Chart</b> ) – Includes:	1
1	09-00265-00	Cover Assembly (Bottom Latch) – Includes:	1
NS	09-00100-01	Seal, Cover – Rubber	1
2	09-00101-00SV	Glass, Cover w/Gasket – includes	1
NS	09-00100-02	Gasket, Cover Glass	1
NS	09-00102	Catch Assembly, Cover	2
3	09-00104-05	Kit, Stylus – Includes:	1
4	NSS	Screw, Round Head, #2-56 x 3/16 lg	2
5	09-00296-00	Mechanism and Platen Assembly	1
6	09-00297-00	Main Lever and Push Rod Assembly (Includes Setscrews)	1
7	09-00298-00	Rod, Push	1
8	09-00114	Key, Clock Winding	1
9	09-00119	Nut and Chain, Chart ( <b>Sonceboz Clock</b> )	1
9	09-00180-00	Nut and Chain, Chart ( <b>Gluck Clock</b> )	1
10	PL	Screw, Round Head #6-32 x 5/16	7
11	09-00118	Flange, Chart Drive ( <b>Sonceboz</b> )	1
11	09-00180-01	Flange, Chart Drive ( <b>Gluck</b> )	1
12	09-00123	Clock, 31 Day, CCW (Counterclockwise)	1
13	09-00299-00	Case (Top Hinge) ( <b>Use with P/N 12-00348-05</b> )	1
13	09-00301-00	Case (Top Hinge) ( <b>Use with P/N 12-00348-06</b> )	1
14	09-00137	O-Ring, Element Flange	4
15	09-00209	Element, 9 ft lg ( <b>Use with P/N 12-00348-05</b> ) – Includes:	1
15	09-00236	Element, 9 ft lg ( <b>Use with P/N 12-00348-06</b> ) – Includes:	1
NS	09-00222	Sensor, Thermistor (Accessory 344 and Jack) – 15 ft lg	1
NS	22-02243	Pin (Use with Partlow Thermistor Assembly)	3
16	09-00136	Screw, Flange (NSI)	2
NS	09-00128	Charts °F – 31 Day (Box of 50) (–20°F to +80°F)	A/R
NS	09-00128-01	Charts °C – 31 Day (Box of 50) (–25°C to +25°C)	A/R
NS	09-00300-00	Kit, Hold Open Latch – Includes Hardware	1
NS	44-50006-00	Kit, Hinge Replacement – Includes Hardware	1

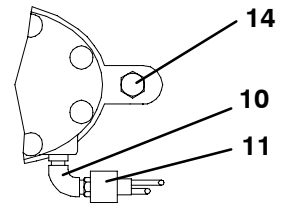
**3.17 COMPRESSOR MOUNTING AND RELATED COMPONENTS**



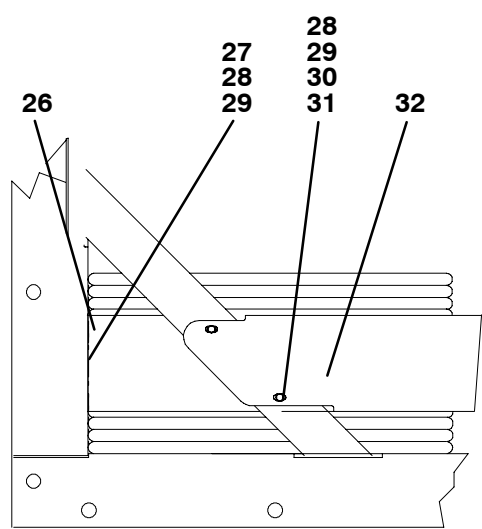
**Compressor Foot – Cutaway View**



**Center Cylinder Head View with gauges**



**Center Cylinder Head View without gauges**



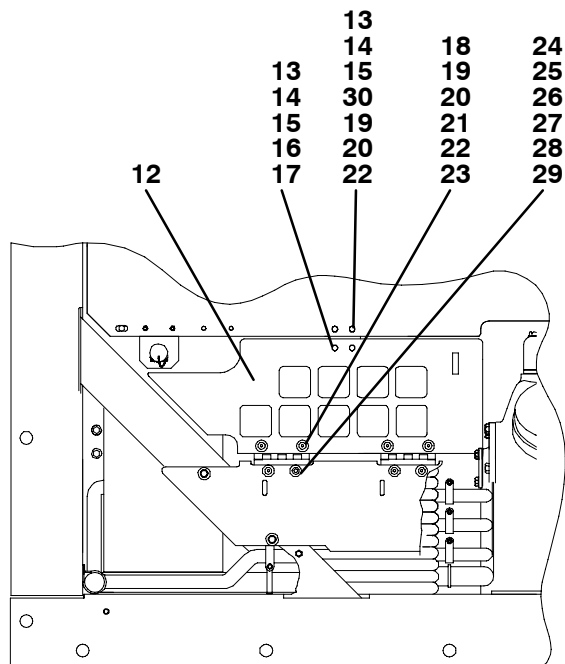
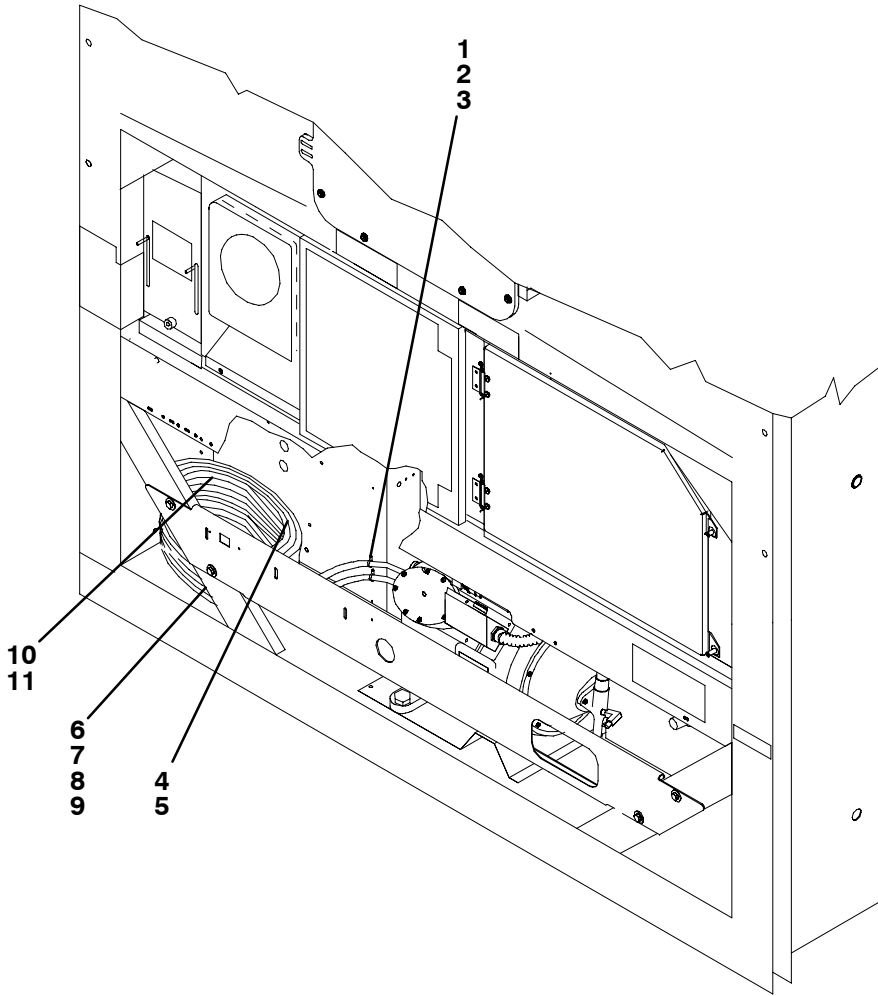
**Unit – Sectional View**

ITEM	PART NO.	DESCRIPTION	QTY
<b>3.17 COMPRESSOR MOUNTING AND RELATED COMPONENTS</b>			
1	–	Compressor – Refer to Section 5	–
2	69NT40-942	Stiffener Assembly	1
NS	66U1-5321-8	Washer, Flat, #10 – SST	2
NS	66U1-5371-6	Screw, Hex Head, #10-24 x 3/4 lg – SST (NSI)	2
NS	34-06053-05	Washer, Mylar, 0.205 ID x 0.600 OD	2
3	69NT40-912	Bracket Assembly, Gauge	1
4	12-01124-01	Gauge, Suction Pressure ( <b>See Model Chart</b> )	1
5	12-01125-01	Gauge, Discharge Pressure ( <b>See Model Chart</b> )	1
6	66U1-6651-19	Screw, Pan Head, #6-32 x 7/16 lg – SST (NSI)	6
7	CA21JA051	Tee, 1/4 npt (NSI)	1
8	40-00060-02	Elbow, 90° Street, 1/4 mpt x 1/4 mpt – Brass	1
9	06DA403-844	Valve Assembly, Core, Check (Schrader Valve) – Brass	2
10	14-01093-00	Snubber Assembly	1
11	12-00309-00	Switch, High Pressure (HPS)	1
NS	22-01585-00	Connector, Male, 2 Pin ( <b>Used with HPS</b> ) (NSI)	1
NS	22-02394-00	Seal, Cable ( <b>Used with HPS</b> ) (NSI)	1
12	69NT41-553	Tube Assembly, Low Pressure	1
13	69NT41-543	Tube Assembly, High Pressure	1
14	40-00123-02	Plug, Pipe, 1/4-18 nptf – Brass	1
15	69NT35-6132	Protector (Compressor to Compressor Base)	1
16	AU11JR241	Washer, Lock, 3/8 – SST	2
17	AA06JA232	Capscrew, Hex Head, 3/8-16 x 1-1/4 lg – SST (NSI)	2
18	34-00829-13	Washer, Flat, 3/8 – SST (NSI)	2
19	58-50013-00	Washer, Mylar, 0.375 ID x 1.00 OD	2
20	69NT43-108	Base, Compressor	1
NS	66U1-5361-7	Bolt, Hex Head, 3/8-16 x 1.00 lg – SST (NSI)	7
NS	66U1-5321-5	Washer, Flat, 3/8 – SST (NSI)	7
NS	AU11JR241	Washer, Lock, 3/8 – SST	7
NS	58-50013-00	Washer, Mylar, 0.375 ID x 1.00 OD	7
21	34-00849-22	Capscrew, 7/16-14 x 2-3/4 lg – SST (NSI)	2
22	34-00667-14	Locknut, 7/16-14 – SST (NSI)	2
23	66U1-5321-8	Washer, Flat, 7/16 – SST	4
24	34-06053-07	Washer, Mylar, 0.438 ID x 0.922 OD (NSI)	2
25	58-50013-01	Washer, Mylar, 0.438 ID x 1.125 OD	2
26	69NT35-3573-1	Panel, Guard (NSI)	1
27	66U1-5361-25	Screw, Hex Head, 1/4-20 x 3/4 lg – SST (NSI)	1
28	66U1-5321-7	Washer, Flat, 1/4 – SST	9
29	58-50013-02	Washer, Mylar, 1/4 ID x 3/4 OD	9
30	66U1-5361-11	Capscrew, Hex Head, 1/4-20 x 1-1/2 lg – SST (NSI)	4
31	34-00667-11	Locknut, 1/4-20 – SST (NSI)	4
32	69NT35-3104-1	Guard, Compressor	1
NS	07-00292-00	Oil, Compressor (Quart)	A/R

**Used to mount Stiffener Assembly**

**Used to mount Compressor Base to unit frame**

**3.18 VOLTAGE OPTIONS**

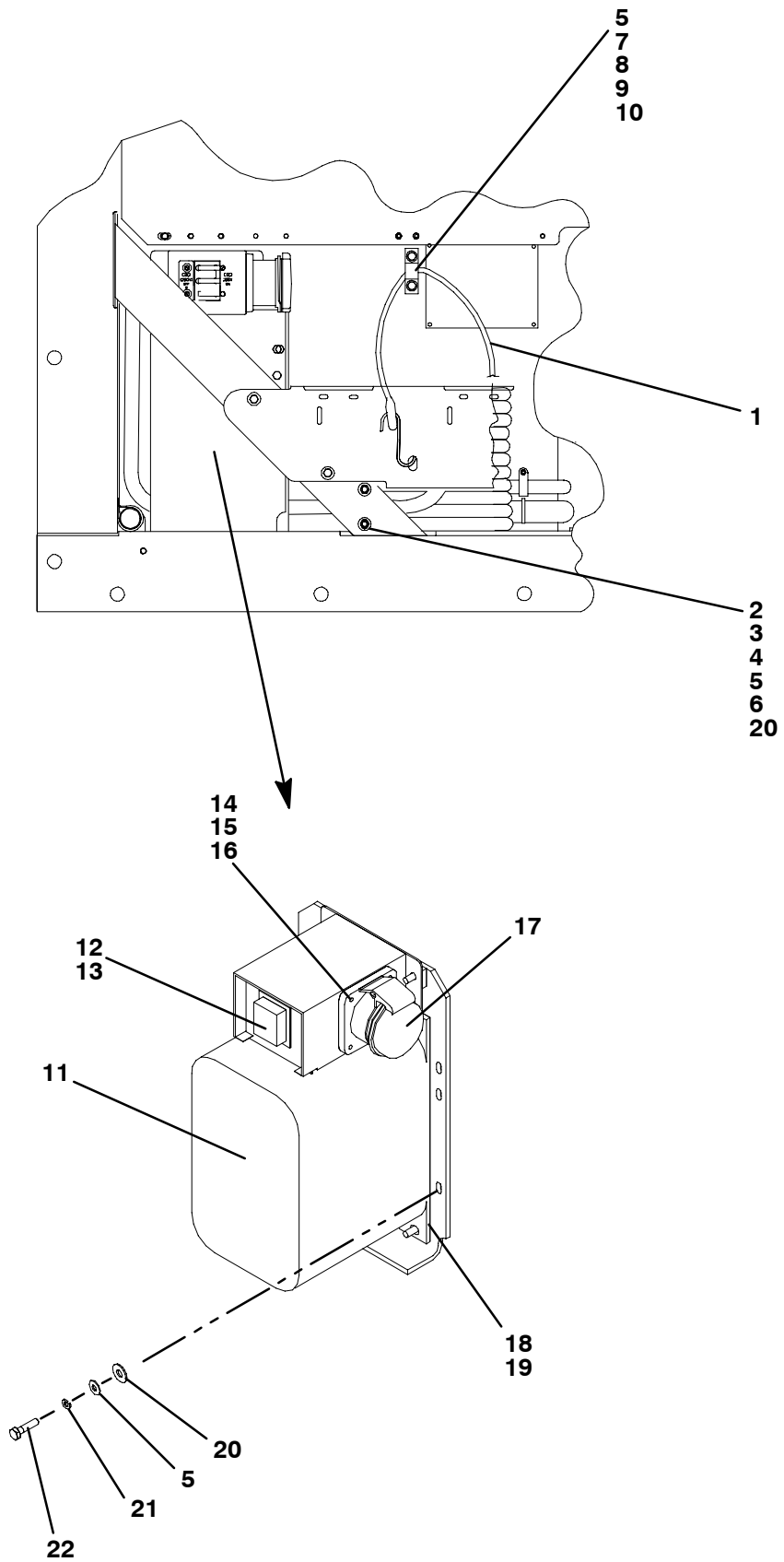


**POWER CABLE DOOR**

ITEM	PART NO.	DESCRIPTION	QTY
<b>3.18 VOLTAGE OPTIONS</b>			
1	34-00373-56	Clamp, Tube, Cushion, 9/16 Diameter – SST (Used w/Transicord) NSI	A/R
1	34-00373-59	Clamp, Tube, Cushion, 3/4 Diameter – SST	A/R
2	66U1-5381-1	Screw, Hex Head, #10-24 x 3/4 lg – SST	A/R
3	58-50013-04	Washer, Mylar, 0.25 ID x 1.00 OD	A/R
4	22-01551-00	Cable, Power – Yellow, 33 amp, 11 gauge, Transicord <b>(460 vac)</b> (NSI)	A/R
4	66U1-9782	Cable, Power – Yellow, 25 amps, 10 gauge <b>(460 vac)</b> (NSI)	A/R
5	22-02378-00	Plug, Power – Mennekes <b>(460 vac)</b>	1
5	66U1-3123-1	Plug, Power – Mipco <b>(460 vac)</b>	1
NS	22-02324-05	Bushing (For P/N 22-02378-00 & 66U1-3123-1) (NSI)	4
5	22-02232	Plug, Power <b>(460 vac)</b>	1
NS	22-02324-01	Bushing (For P/N 22-02232) (NSI)	4
6	69NT35-6412	Clamp, Cable (NSI)	1
7	58-04026-07	Protector, Mylar	1
8	66U1-5361-11	Screw, Hex Head, 1/4-20 x 1-1/2 lg – SST (NSI)	2
9	34-00667-11	Locknut, Hex Head, 1/4-20 – SST (NSI)	2
10	66U1-9782-1	Cable, Power – Black <b>(230 vac)</b> (NSI)	A/R
11	22-02322-00	Plug, Power – Mipco <b>(230 vac)</b>	1
NS	22-02324-02	Bushing (For P/N 22-02322-00) (NSI)	4
12	69NT41-724-4	Cover Assembly w/Latch, Cable Storage (Optional) – Includes:	1
13	34-06126-08	Screw, Hex Head, #4-40 x 1/2 lg – SST	2
14	34-00662-05	Washer, Flat, #4 –SST	4
15	34-00667-05	Locknut, Hex Head, #4-40	2
16	34-06053-08	Washer, Mylar, 1/8 ID x 3/8 OD (NSI)	2
17	44-00340-02	Latch	1
18	69NT35-8032	Hinge	2
19	66U1-2403	Screw, Truss Head, #10-24 x 1/2 lg – SST	4
20	66U1-5321-8	Washer, Flat, #10	4
21	34-00667-09	Locknut, Hex Head, #10-24 – SST (NSI)	4
22	34-06053-05	Washer, Mylar, 3/16 ID x 5/8 OD	4
23	58-04001-02	Protector, Mylar (NSI)	2
24	58-04001-01	Protector, Mylar	1
25	34-06053-05	Washer, Mylar, 3/16 ID x 5/8 OD	2
26	34-01167-01	Retainer, Nut	1
27	66U1-2403	Screw, Truss Head, #10-24 x 1/2 lg – SST	2
28	66U1-5321-8	Washer, Flat, #10 – SST	2
29	66U1-5331-3	Washer, Lock, #10 – SST (NSI)	4
30	44-00340-05	Latch, Catch	1

---

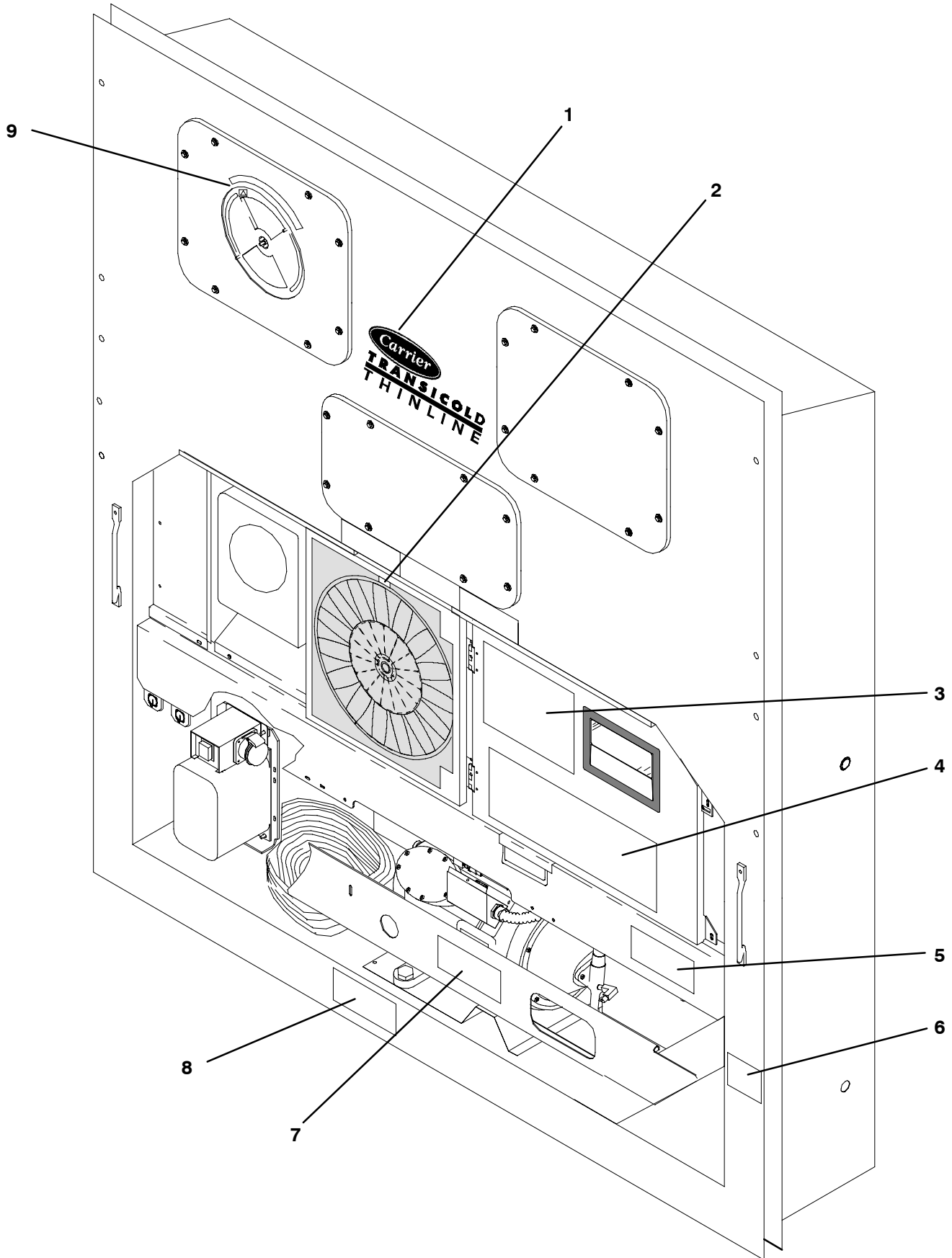
**3.19 MODULAR AUTOTRANSFORMER OPTION**



ITEM	PART NO.	DESCRIPTION	QTY
<b>3.19 MODULAR AUTOTRANSFORMER OPTION</b>			
–	76-00670-00	Transformer Kit, Field Installation – Includes:	–
1	66U1-2603	Strap, Tie Down	1
2	69NT35-6412-2	Clamp, Cable Cutter (NSI)	1
3	58-04026-07	Protector, Mylar	1
4	66U1-5361-11	Screw, Machined Hex Head, 1/4-20 x 1-1/2 lg – SST (NSI)	2
5	66U1-5321-7	Washer, Flat, 1/4 – SST	A/R
6	34-00667-11	Locknut, Hex Head, 1/4-20 – SST (NSI)	2
7	69NT35-5992	Clamp, Tie Down Strap (NSI)	1
8	34-06051-36	Rivnut, 1/4-20 – SST (NSI)	2
9	66U1-5361-25	Bolt, Hex Head, 1/4-20 x 3/4 lg – SST (NSI)	A/R
10	58-50013-04	Washer, Mylar, 0.25 ID x 1.00 OD	2
11	10-01139-04	Transformer, Dual Voltage Modular <b>(See Model Chart)</b>	1
12	10-00277-00	Circuit Breaker, 50 amp – 250 vac, 50/60 hz	1
13	66U2-1531	Boot – Includes:	1
NS	NSS	Frame	1
NS	NSS	Screw, #6-32 x 3/8 lg – Self Sealing	6
14	66U1-5371-7	Screw, Hex Head, #10-24 x 1/2 lg – SST (NSI)	4
15	66U1-5321-8	Washer, Flat, #10 – SST	4
16	34-06053-05	Washer, Mylar, 0.205 ID x 0.600 OD	4
17	22-01679-00	Receptacle, Mennekes – 30 amp	1
18	69NT43-374	Bracket Assembly (NSI)	1
19	58-04026-17	Protector, Mylar (NSI)	2
20	58-50013-02	Washer, Mylar, 0.250 ID x 0.800 OD	5
21	AU11JR171	Washer, Lock, 1/4 – SST	5
22	AA06JA170	Screw, Hex Head, 1/4-20 x 1.00 lg	5



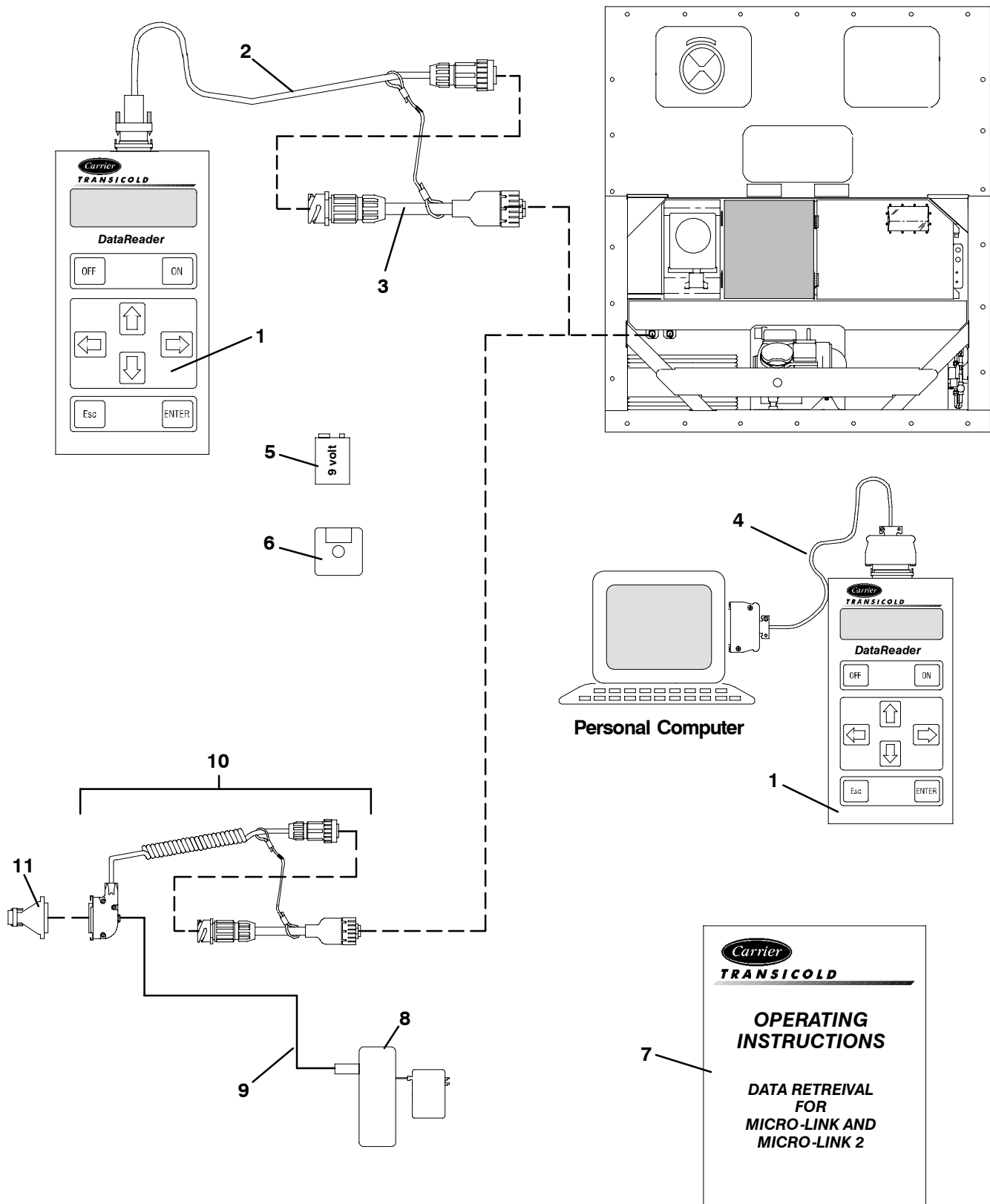
3.20 LABELS AND DECALS



ITEM	PART NO.	DESCRIPTION	QTY
<b>3.20 LABELS AND DECALS</b>			
1	62-02531-00	Decal, Carrier Transicold Thinline	1
1	62-02531-01	Decal, Carrier (NSI) <b>NT0003, NT0042</b>	1
2	66U1-8912	Label, Rotation Arrow	1
3	62-02744-00	Label, Function Code (NSI)	1
4	62-02720-00	Label, Operating Instructions (NSI)	1
4	62-02743-01	Label, Operating Instructions (NSI) <b>NT0003, NT0042</b>	1
5	62-02562-01	Label, Micro-Link 2 (NSI)	1
6	62-02444-01	Label, Charge with R-134a (NSI)	1
7	62-02530-00	Label, R-134a – Ozone Protection (NSI)	1
8	62-02458-00	Label, POE Compressor Oil	1
9	–	Refer to Section 3.9 for Fresh Air Makeup labels.	–

## 4. INTERROGATOR AND ACCESSORIES

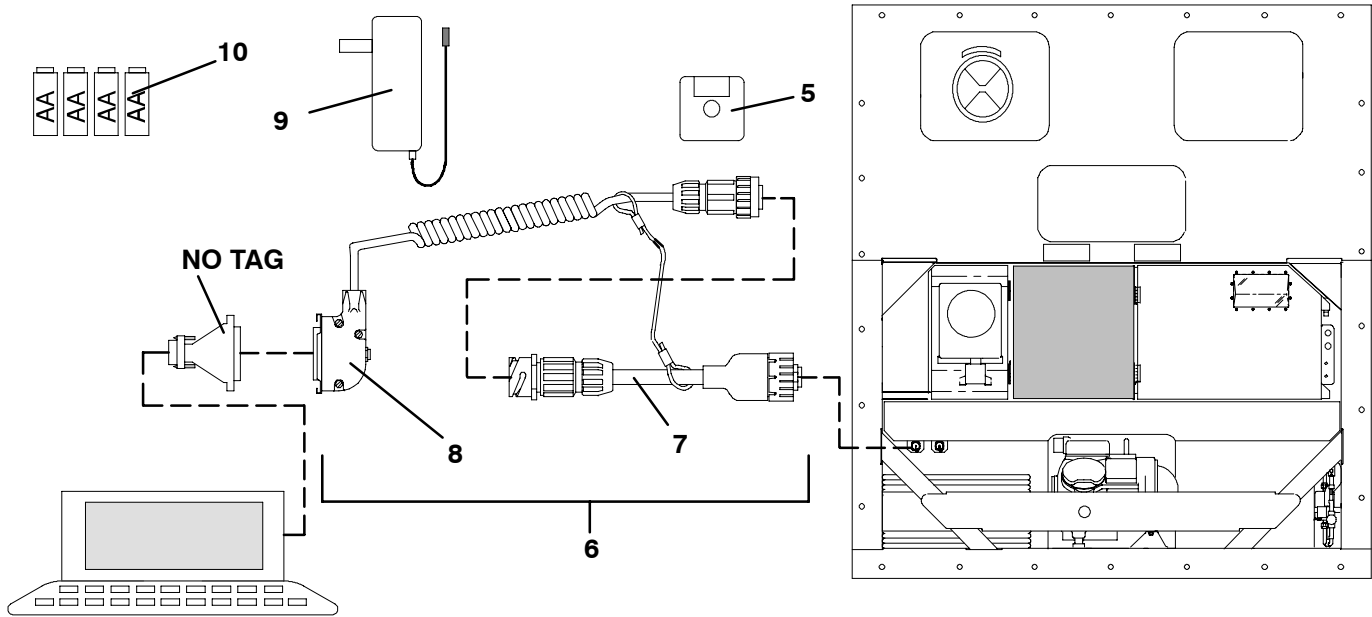
### 4.1 DATAREADER



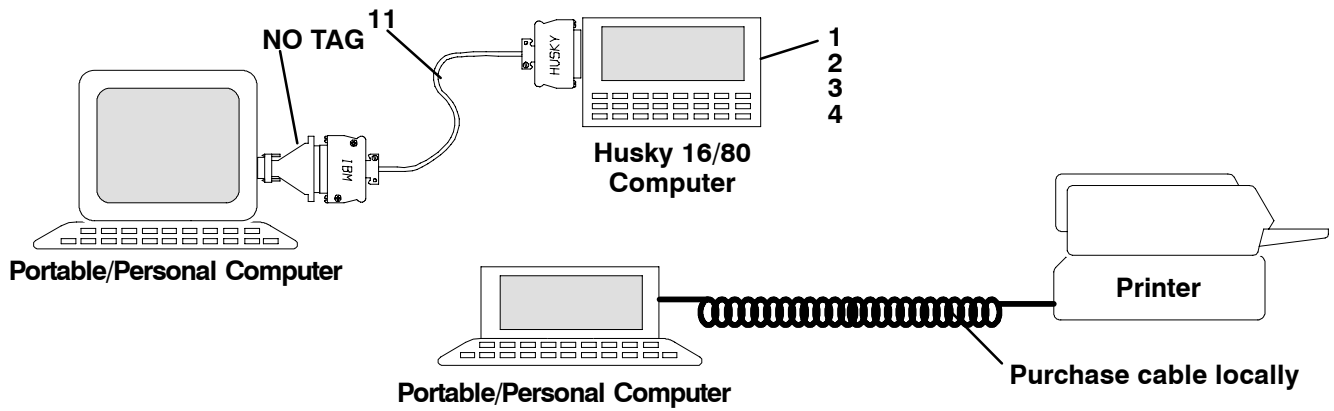
ITEM	PART NO.	DESCRIPTION	QTY
<b>4.1</b>	<b>DATAREADER</b>		
–	07-00321-01	Kit, DataReader – Includes:	1
1	12-00377-00	DataReader (NSI)	1
2	22-01737-00	Cable, Download	1
3	22-01737-01	Cable, Adapter (NSI)	1
4	22-01743-00	Cable, Upload (NSI)	1
5	PL	Battery, Akaline – 9 Volt	1
6	12-00341-07	Software, DataView (DOS) <b>(3.5 DS/HD Diskette, Formatted)</b>	1
7	62-02575-01	Manual, Operating Instructions	1
–	76-50058-00	Kit, Battery, with Cable – Includes:	1
8	12-01107-00	Battery, External, with Battery Charger	1
9	22-02401-00	Cable	1
–	76-50059-00	Kit, Cable, with Adapter – Includes:	1
10	22-02418-02	Cable, Interrogator	1
11	22-02420-00	Adapter	1

**NOTE:** If a DS/DD Diskette is required, contact a Customer Service Representative.

**4.2 PORTABLE/PERSONAL COMPUTERS**



**Portable/Personal Computer**



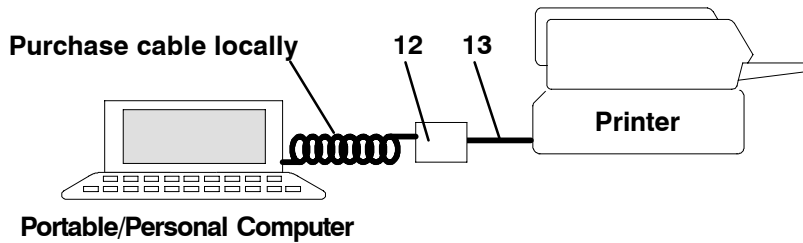
**Portable/Personal Computer**

**Husky 16/80 Computer**

**Portable/Personal Computer**

**Printer**

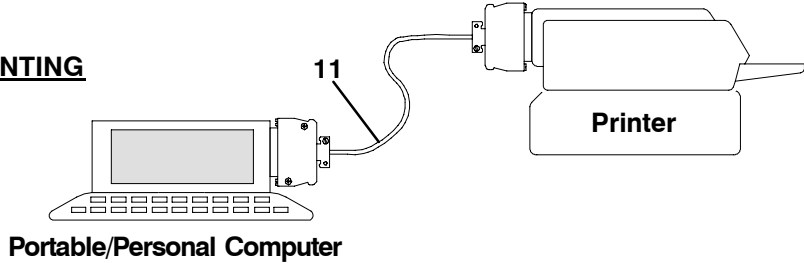
**PARALLEL PRINTING**



**Portable/Personal Computer**

**Printer**

**SERIAL TO PARALLEL PRINTING**



**Portable/Personal Computer**

**Printer**

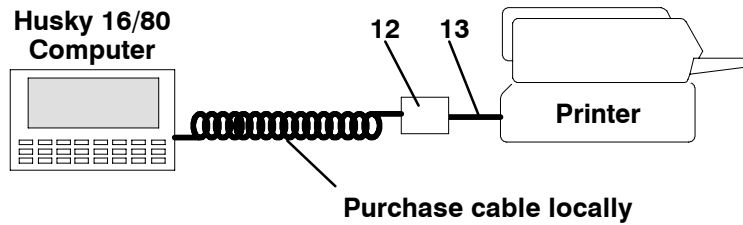
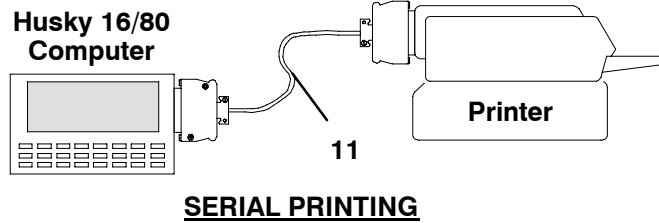
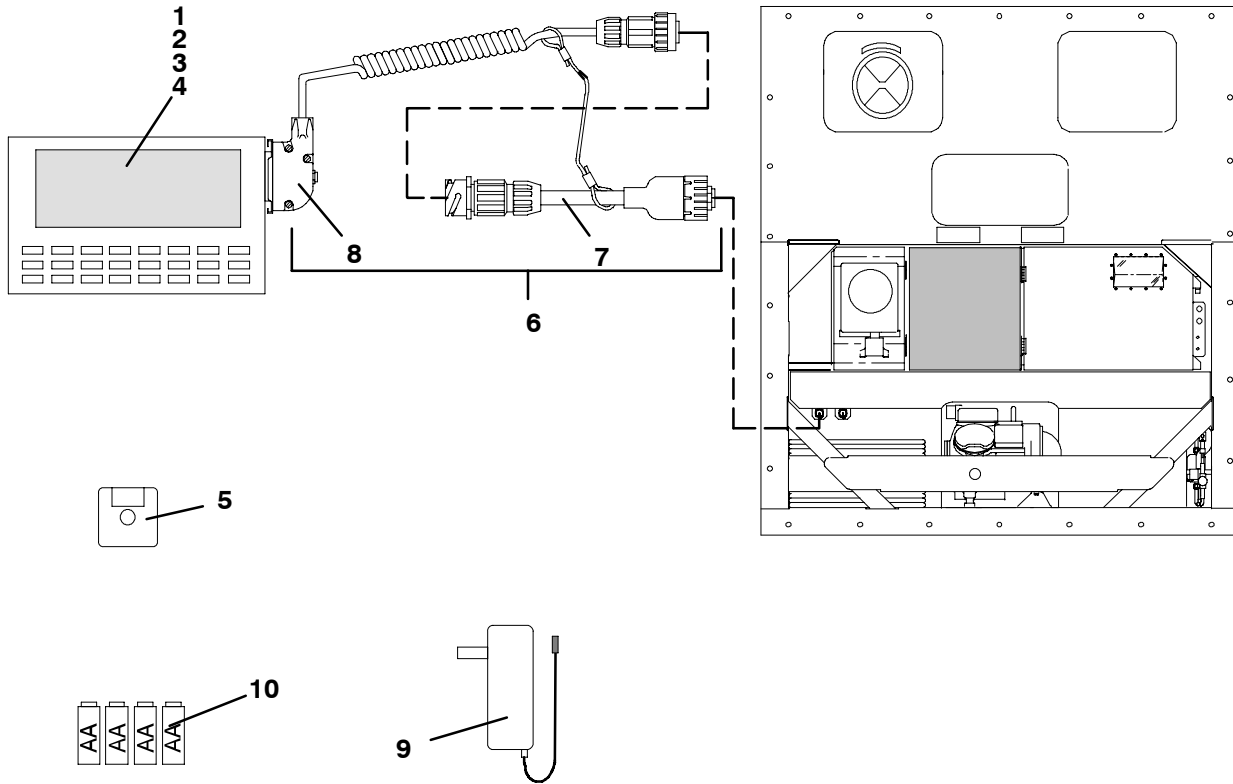
**SERIAL PRINTING**

**PORTABLE/PERSONAL COMPUTER CONNECTIONS**

ITEM	PART NO.	DESCRIPTION	QTY
<b>4.2 PORTABLE/PERSONAL COMPUTERS</b>			
–	NLO	Interrogator Kit, Field (Optional) – Includes:	–
1	NSS	Computer, Husky 16/80 (NSI) – Includes:	1
2	62-02543-00	Manual, Husky 16/80 Operator (NSI)	1
3	PL	Batteries, AA Alkaline	4
4	58-04150-00	Case (for Husky 16/80) (NSI)	1
5	12-00341-07	Software, PC/DOS ( <b>3.5 DS/HD Diskette</b> ) See Note below	1
6	22-02418-02	Cable Assembly – Micro-Link and Micro-Link 2 – Includes:	1
7	22-02418-01	Cable Assembly, Adaptor (Micro-Link 2 cable to Micro-Link cable)	1
8	NSS	Cable Assembly (Micro-Link cable to computer)	1
–	NLO	Interrogator Kit, Desktop (Optional) – Includes:	–
NS	NLO	Disk Drive, 3.5 DS/HD for Husky 16/80 (NSI)	1
5	12-00341-07	Software, PC/DOS ( <b>3.5 DS/HD Diskette</b> ) See Note below	1
9	12-00340-00	Battery Charger – AA NiCad	1
10	10-00339-00	Battery Pack, Rechargeable – AA NiCad (4 Pack) (NSI)	2
11	22-02420-00	Adapter, DB25M to DB9F (25 pin male to 9 pin female)	1
12	22-02386-00	Cable Assembly (Husky to computer or printer)	2
NS	76-50049-00	Microbuffer Package, Mini (for Husky to parallel Printer) – Includes:	1
13	NSS	Microbuffer, Mini	1
14	NSS	Cable, Peripheral	1

**NOTE:** If a DS/DD Diskette is required, contact a Customer Service Representative.

**4.3 HUSKEY 16/80 COMPUTER**



**HUSKY 16/80 COMPUTER CONNECTIONS**

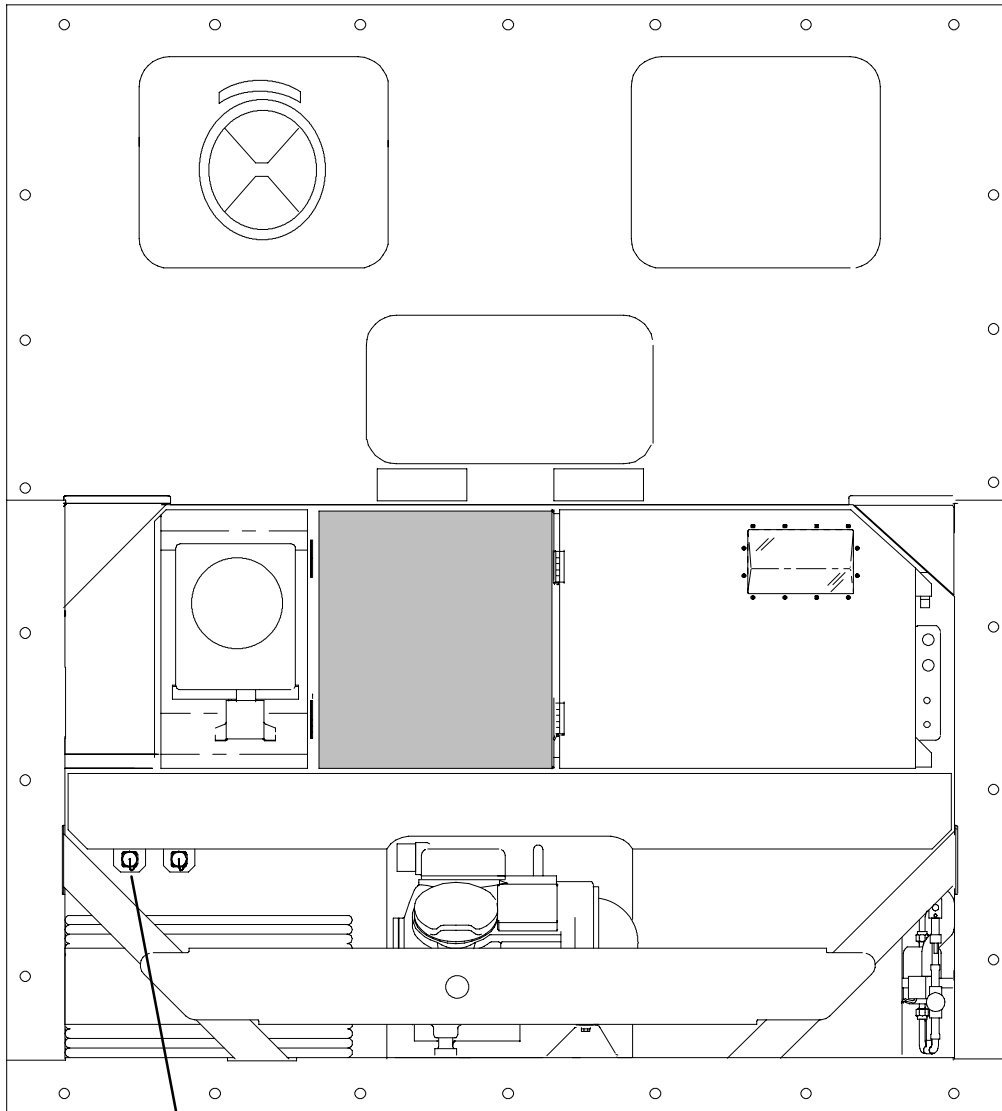
ITEM	PART NO.	DESCRIPTION	QTY
<b>4.3 HUSKEY 16/80 COMPUTER</b>			
–	NLO	Interrogator Kit, Field (Optional) – Includes:	–
1	NSS	Computer, Husky 16/80 (NSI) – Includes:	1
2	62-02543-00	Manual, Husky 16/80 Operator (NSI)	1
3	PL	Batteries, AA Alkaline	4
4	58-04150-00	Case (for Husky 16/80) (NSI)	1
5	12-00341-07	Software, PC/DOS <b>(3.5 DS/HD Diskette)</b> See Note below	1
6	22-02418-02	Cable Assembly – Micro-Link and Micro-Link 2 – Includes:	1
7	22-02418-01	Cable Assembly, Adaptor (Micro-Link 2 cable to Micro-Link cable)	1
8	NSS	Cable Assembly (Micro-Link cable to computer)	1
–	NLO	Interrogator Kit, Desktop (Optional) – Includes:	–
NS	NLO	Disk Drive, 3.5 DS/HD for Husky 16/80 (NSI)	1
5	12-00341-07	Software, PC/DOS <b>(3.5 DS/HD Diskette)</b> See Note below	1
9	12-00340-00	Battery Charger – AA NiCad	1
10	10-00339-00	Battery Pack, Rechargeable – AA NiCad (4 Pack) (NSI)	2
NS	22-02420-00	Adapter, DB25M to DB9F <b>(Not used on Huskey 16/80)</b>	1
11	22-02386-00	Cable Assembly (Husky to computer or printer)	2
NS	76-50049-00	Microbuffer Package, Mini (for Husky to parallel Printer) – Includes:	1
12	NSS	Microbuffer, Mini	1
13	NSS	Cable, Peripheral	1

**NOTE:** If a DS/DD Diskette is required, contact a Customer Service Representative.



---

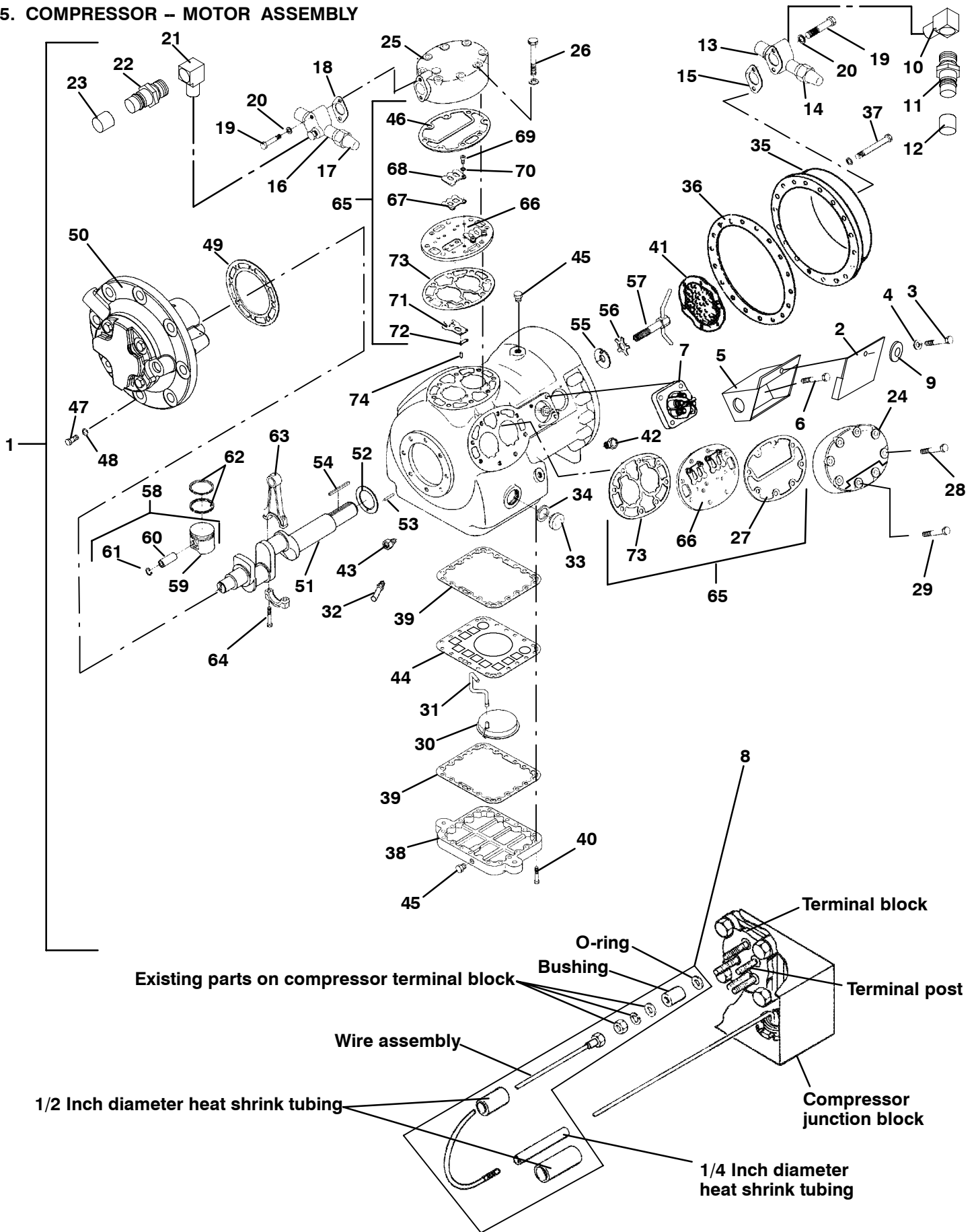
#### 4.4 INTERROGATOR RECEPTACLE



- 1
- 2
- 3
- 4
- 5
- 6
- 7

ITEM	PART NO.	DESCRIPTION	QTY
<b>4.4 INTERROGATOR RECEPTACLE</b>			
1	69NT43-176	Cap, Dust, with Tether, Interrogator – 5 Pin (Optional)	1
2	22-01660-03	Receptacle, Interrogator (Optional) (NSI)	1
3	22-01613-12	Contact, Pin	5
4	22-01660-04	Socket Plug, Interrogator (Optional)	1
5	22-01613-13	Contact, Socket	5
6	69NT41-192	Bracket, Interrogator Connector (Optional)	1
7	69NT40-537-3	Connector, Interrogator – Includes:	1
NS	22-02412-00	Receptacle	1
NS	22-02398-02	Pin, Contact	5
NS	58-01256-00	Plug	1
NS	22-02362-01	Contact	1
NS	22-02361-01	Contact	3

**5. COMPRESSOR - MOTOR ASSEMBLY**

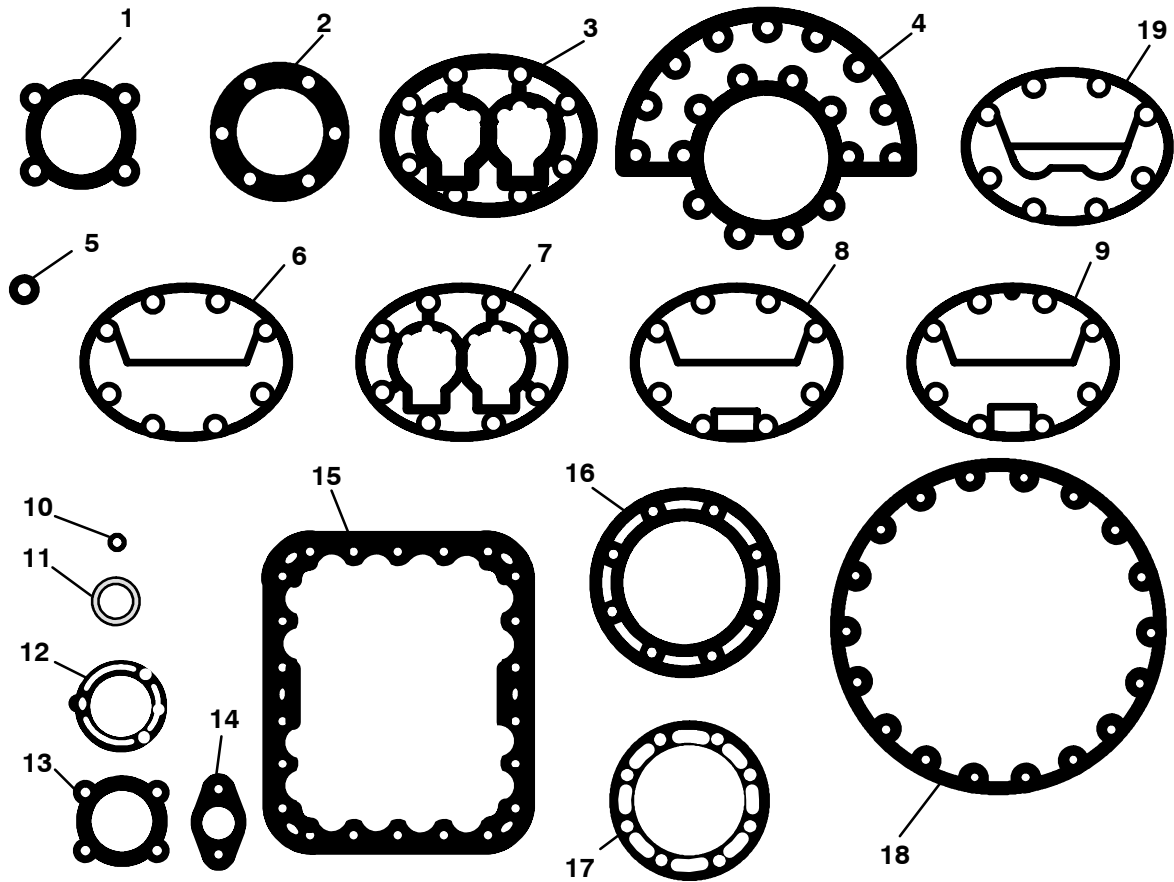


ITEM	PART NO.	DESCRIPTION	QTY
<b>5.1 SERVICE REPLACEMENT COMPRESSOR</b>			
1	18-00055-20SV	Compressor, 41 CFM, <b>460</b> vac/3 ph/60 hz	1
<b>NOTE</b>			
The Service Replacement Motor – Compressor is sold without terminal box and cover, and without shut-off valves (but with valve pads). Customer should retain the original terminal box and valves for use on replacement compressor.			
<b>5.2 TERMINAL MOUNTING AND JUNCTION BOX GROUP</b>			
2	69NT20-2083	Cover, Junction Box	1
3	66U1-5371-7	Screw, Hex Head, #10-24 x 1/2 lg (cover to box) – SST (NSI)	2
4	66U1-5321-8	Washer, Flat, #10 (cover to box) – SST	2
5	69NT20-513-1SV	Box, Junction ( <b>Located on Front of Compressor</b> ) – Includes:	1
5	69NT20-513-SV	Box, Junction ( <b>Located on Back of 230/460v Compressor</b> ) – Includes:	1
2	69NT20-2083	Cover, Junction Box	1
6	PL	Screw, Pan Head, #10-32 x 3/8 lg (box to compressor)	4
7	17-40093-04	Terminal, Compressor ( <b>5 Terminals</b> )	1
7	17-40093-03	Terminal, Compressor ( <b>6 Terminals</b> )	1
8	76-00355	Kit, Compressor Terminal Wiring (Single Voltage)	1
NS	76-00384	Kit, Compressor Terminal Wiring (Dual Voltage or Single Voltage)	1
NS	17-40075-05	Gasket, Terminal Plate	1
9	34-06053-05	Washer, Mylar, 0.205 ID x 0.600 OD	2
<b>5.3 SERVICE VALVE GROUP</b>			
10	40-00523-00	Elbow, M13 x M13 – Brass	1
11	40-00520-00	Coupling, M13 – Brass – Includes:	1
12	40-00520-02	Cap, Service Port	1
13	14-00206-00	Valve, Suction Shut-Off, 1-1/8 ODS	1
14	17-10812-00	Cap, Seal	1
NS	17-10806-02	Gasket, Seal Cap	1
15	17-10811-05	Gasket, Suction Service Valve	1
16	14-00206-01	Valve, Discharge Shut-Off, 7/8 ODS	1
17	17-10812-00	Cap, Seal	1
NS	17-10806-02	Gasket, Seal Cap	1
18	17-10811-05	Gasket, Discharge Service Valve	1
19	66U1-5361-46	Bolt, Hex Head, 5/16-18 x 1-7/8 lg – SST (NSI)	2
20	17-40013	Gasket, Bolt, 5/16	2
21	40-00523-01	Elbow, M15 x M15 – Brass	1
22	40-00520-01	Coupling, M15 – Brass – Includes:	1
23	40-00520-03	Cap, Service Port	1
<b>5.4 COMPRESSOR – MOTOR BODY GROUP</b>			
NS	–	Gasket Set (Refer to Section 5.8)	
24	17-21040	Head, Cylinder – Side Bank (Shaved Head)	2
25	17-40016-01	Head, Cylinder – Center Bank	1
26	17-40018-05	Screw, Hex Head – Center Head, 3/8-16 x 3.00 lg – SAE Grade 5	8
27	17-44124-00	Gasket, Cylinder Head (Side Bank)	3
28	17-40034-05	Screw, Hex Head, 3/8-16 x 2.00 lg – SAE Grade 5	12
29	17-40037-05	Screw, Hex Head, 3/8-16 x 1.00 lg – SAE Grade 5	4
30	17-40020	Screen Assembly, Oil Filter	1

ITEM	PART NO.	DESCRIPTION	QTY
<b>5.4 COMPRESSOR – MOTOR BODY GROUP (CONTINUED)</b>			
31	17-21062-00	Tube, Oil Suction	1
32	40-00535-00	Orifice, Oil Relief	1
33	17-10218	Sight Glass Package, Oil Level – Includes:	1
34	17-10218-02	Gasket, Sight Glass	1
35	17-20004	Cover, Motor End (NSI)	1
36	17-40029-05	Gasket, Motor End Cover	1
37	PL	Screw, Hex Head, 7/16-14 x 1-1/4 lg – SAE Grade 5	18
38	17-40032	Plate, Bottom	1
39	17-40033-05	Gasket, Bottom Plate	2
40	17-40034-05	Screw, Hex Head, 3/8-16 x 2.00 lg – SAE Grade 5	22
41	17-20005	Strainer Assembly, Suction (NSI)	1
42	PL	Plug, Pipe, Oil Fill, 1/4	1
43	17-40042	Check Valve Assembly, Oil Return	1
44	17-21063-00	Plate, Screen Hold Down	1
45	PL	Pipe Plug (High & Low Pressure Connection and Oil Drain), 1/4-18 NPT	3
46	17-55006	Gasket, Cylinder Head (Center Bank)	1
<b>5.5 PUMP END GROUP</b>			
47	17-40037-05	Screw, Hex Head, Bearing Head, 3/8-16 x 1.00 lg – SAE Grade 5	8
48	17-40019	Gasket, Capscrew, 3/8	8
49	17-40078-05	Gasket, Cover Plate	1
50	17-44714-00	Bearing Head & Low Profile Oil Pump Package	1
<b>5.6 CRANKSHAFT, ROD AND PISTON GROUP</b>			
51	N/A	Crankshaft	1
52	17-40059	Washer, Thrust	1
53	17-40048	Pin, Spiral, 5/32 Diameter x 5/8 lg	2
54	34-01110	Key, Rotor Drive	1
55	17-10831	Washer, Rotor (NSI)	1
56	17-40046	Washer, Star, Rotor, 5/8 (NSI)	1
57	17-40044	Tube Assembly, Equalizer (NSI)	1
58	17-44115-01	Piston & Pin Pkg ( <b>Standard</b> ) – Includes:	6
58	17-44115-20	Piston & Pin Pkg ( <b>+0.020</b> ) – Includes:	A/R
59	NSS	Piston	1
60	17-40052-00	Pin, Piston	1
61	17-40053	Retainer, Piston Pin	2
62	17-40055	Ring, Compression ( <b>Standard</b> )	12
62	17-55025	Ring, Compression ( <b>+0.020 inch Piston</b> )	12
63	17-40056	Connecting Rod and Cap Assembly ( <b>Standard</b> ) – Includes:	6
63	17-55023	Connecting Rod and Cap Assembly ( <b>+0.010</b> ) – Includes:	6
NS	17-40057	Pin, Dowel	2
64	17-55008	Capscrew – Special (Epoxy Coated)	2
<b>5.7 VALVE PLATE GROUP</b>			
65	17-44047-00	Package, Valve Plate Assembly ( <b>Center and Side Banks – Canted</b> ) – Includes:	3
NS	NSS	Plate Assembly, Valve – Includes:	1
66	NSS	Plate, Valve	1
67	17-40086	Valve, Discharge	2
68	17-40087	Valve, Stop Discharge	2
69	17-44113-00	Screw, Hex Head, 1/4-28 x 3/8 lg	4
70	17-10715	Washer, Lock, 1/4	4
71	17-44111-00	Valve, Suction	2
72	17-40083	Spring, Suction Valve Positioning	2
27	17-44124-00	Gasket, Cylinder Head (Side Bank)	1
46	17-55006	Gasket, Cylinder Head (Center Bank)	1
73	17-55002	Gasket, Valve Plate	1
74	17-40057	Pin, Dowel (Valve Plate)	12

ITEM	PART NO.	DESCRIPTION	QTY
------	----------	-------------	-----

5.8 GASKET SET



*_	17-55020-20	Gasket Set – Includes:	1
1	42-00326-00	Gasket, Suction Service Valve (4 Bolt)	1
2	17-44004-05	Gasket, Seal Cover Plate (05G) – Fiber	1
2	17-44004-06	Gasket, Seal Cover Plate (05G) – Coated Steel	1
3	17-44007-06	Gasket, Valve Plate (05G)	3
4	17-44001-05	Gasket, End Flange (05G) – Includes:	1
5	17-44014	Gasket, Flange Spacer (05G)	2
6	17-44124-00	Gasket, Cylinder Head – Side Bank (Standard)	2
7	17-55002	Gasket, Valve Plate	3
8	17-44123-00	Gasket, Cylinder Head – Center Bank	1
9	17-44126-00	Gasket, Cylinder Head – Side Bank (Hot Gas Bypass Unloader)	2
10	17-40316	Gasket, Oil Supply Tube (O-Ring, 05D)	1
11	17-10218-02	Gasket, Sight Glass	2
12	17-40104-07	Gasket, Unloader Body	2
13	17-40075-05	Gasket, Oil Pump Cover	2
14	17-10811-05	Gasket, Service Valve (2 Bolt)	2
*15	17-40033-05	Gasket, Bottom Plate	1
16	17-40078-05	Gasket, Pump End Bearing Head	1
17	17-40319-05	Shaft Seal (05D)	1
18	17-40029-05	Gasket, Motor End Cover	1
19	17-44125-00	Gasket, Cylinder Head – Side Bank (Suction Cutoff Unloader)	2

\* NOTE: When ordering a Gasket Set be aware that it includes one (1) of item 15 and for a Container Unit the quantity needed is two (2).

3.1 3.2 3.3 3.4 3.5 3.6 3.7 3.8 3.9  
3.10 3.11 3.12 3.13 3.14 3.15 3.16 3.17 3.18  
3.19 3.20

4.1 4.2 4.3

5.1 5.2 5.3 5.4 5.5 5.6 5.7 5.8

NO TAG NO TAG

Date: 12-14-95

Page 1 of 1

TO: GRABOWSKI

FROM: Bill Lindsey

D. GRABOWSKI

CARRIER TRANSICOLD DIV.  
P.O. BOX 4805  
SYRACUSE, NY 13221

Fax. No. 432-0274

Tel. No. 432-3819

Fax. No. 432-7789

Please supply us with a quote on the following job specification:

Manual: SERVICE PARTS LIST Form/T No.: T-267-01PL

Quantity: 1500 Writer/Coordinator: Bill Lindsey

Reprint Quantity: 1500 (Based on reprint within 6 months without changes)

Date Required: TEN WORKING DAYS P.O. No.: 24-62901

Manual Specifications:	Text pages print <b>Black</b> .	Yes	No
	Final size, 8.5 x 11 saddle stitched.	<input type="checkbox"/>	<input checked="" type="checkbox"/>
	50 lb. opaque white text stock.	<b>Veloxes</b>	<input type="checkbox"/>
	Three (3) hole drilled (5/16 Dia.).	<b>Silver Print</b>	<input checked="" type="checkbox"/>

**Cover Specifications –**

**Stock:** 80 lb. LOE Gloss (Warren)

**Color:** Prints PMS – 322 TEAL GREEN plus Varnish

Color bleeds four (4) sides, outside front and back cover.

**Manual Composition – Includes:**

53 Camera Ready Pages  
0 Negatives Supplied Pages  
3 Blanks  
56 Total Pages (Less cover)

**Art Work Supplied – Includes:**

**Camera Ready Art:**  
0 Oversized Line Art Work  
0 Photograph(s) /window and line overlays  
**Negatives Supplied Art:**  
0 Halftone(s) (incls. window and line neg.)  
1 Line Neg.  
1 Total Strip-ins

**Additional Comments:** *We require all negatives be returned at the completion of the job.*

1. Follow supplied dummy copy for details.

2. Screen Carrier Transicold 50% on title page as indicated on dummy.

3. Strip-in supplied negative on Cover.



## VENDOR INFORMATION

T-267-01PL

Printer	Tel. No.	Fax. No.	Contact	Price Quoted	Reprint Price
<input checked="" type="checkbox"/> Eastwood Litho	437-2626	432-9227	Russell Bartlett	<u>\$2472.00</u>	<u>\$2122.00</u>
<input checked="" type="checkbox"/> Dellas Graphics	474-4641	474-4650	Jean Henry	<u>\$2569.55</u>	<u>\$2101.65</u>
<input checked="" type="checkbox"/> Grabowski	463-9206	432-0274	Dick Grabowski	<u>\$2280.00</u>	<u>\$1860.00</u>
<input type="checkbox"/> Syracuse Litho,	422-1600	476-7806	Darryl Grandy	_____	_____
<input type="checkbox"/> Liverpool Litho,	457-7007	457-4860	Mark Fingar	_____	_____
<input type="checkbox"/> Selco Graphics,	476-2108	472-8959	Neale Bogardus	_____	_____

Indicates printer was called.



TRANSICOLD

# PERFORMANCE PARTS

December 6, 1996

## PARTS LIST UPDATE

To: Holders of Service Parts List Manual T-267-01PL  
for the Model 69NT40-501 Container Refrigeration Unit.

Please add the attached revised page 48 to your manual. The revision bar (■) indicates the changes made.

If we can be of any further assistance please feel free to call.

---

Paul J. Spaulding  
Technical Writer  
CTD Publications