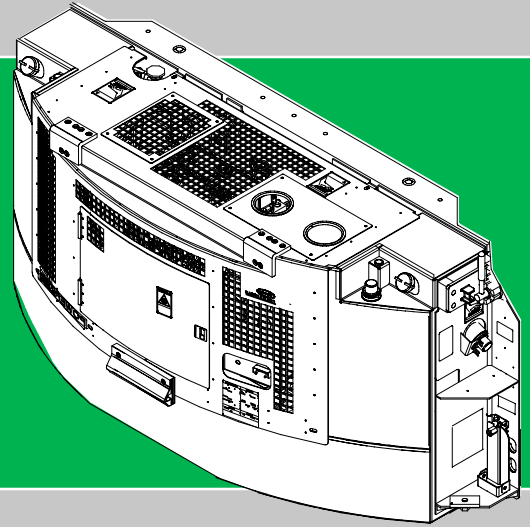
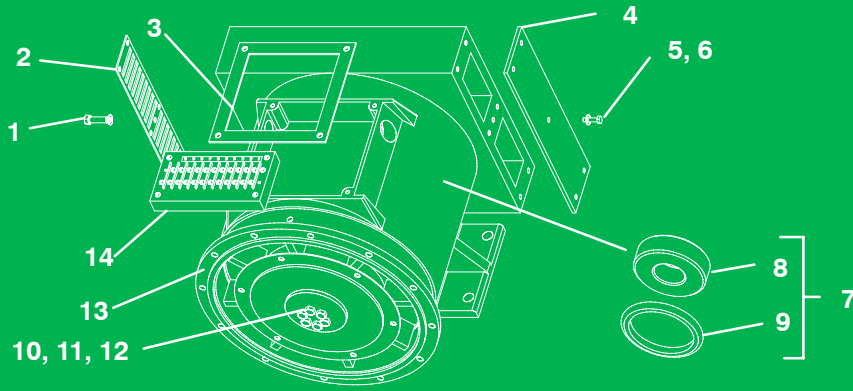




# Diesel Generator Set



## SERVICE PARTS LIST for **69RG15** Diesel Generator Set Prior to PID RG1135



**TRANSICOLD**

---

**SERVICE PARTS LIST  
DIESEL DRIVEN GENERATOR SET**

**MODEL  
69RG15**

# TABLE OF CONTENTS

PARAGRAPH NUMBER	Page
INTRODUCTION .....	iv
MODEL AND PRODUCT IDENTIFICATION (PID) NUMBERS .....	iv
ORDERING INSTRUCTIONS .....	iv
GENERAL NOTES .....	iv
PAINTED PARTS COLOR SYSTEM .....	v
MODEL CHART .....	vi
1 QUICK LIST .....	1
1.a Quick List - Butt Connectors, Clamps, Electrical Cables, Filters, Grease, Paint, Spiral Rap, Ty-raps And Wire Terminals .....	1
2 UNIT MOUNTING .....	2
2.a Unit Mounting - Common Parts .....	3
2.a.1 Unit Mounting - Pin Mount .....	3
2.a.2 Unit Mounting - Clamp Mount .....	3
2.a.3 Unit Mounting - Pin Mount With Clamp Provision .....	3
2.b Unit Mounting - Common Parts .....	5
2.b.1 Unit Mounting - Pin Mount .....	5
2.b.2 Unit Mounting - Clamp Mount .....	5
2.b.3 Unit Mounting - Pin Mount With Clamp Provision .....	5
2.c Unit Mounting - Pin Mount .....	7
3 UNIDRIVE .....	8
3.a Unidrive Assembly - With And Without Throttle Guard .....	8
3.a.1 Unidrive - With Throttle Guard .....	9
3.b Unidrive Assembly - Shockmount, Disc Drive And Pulley .....	10
3.c Generator - Main Alternator .....	12
4 FUEL SYSTEM .....	14
4.a Fuel System .....	14
4.b Fuel System - Common Parts .....	17
4.b.1 Fuel System - With Aluminum Cap .....	17
4.b.2 Fuel System - With Brass Cap .....	17
5 OIL SYSTEM .....	18
5.a Oil System (Horizontal or Vertical - Vertical Shown) .....	19
6 BATTERY .....	20
6.a Battery - Post Type .....	21
7 COOLANT SYSTEM .....	22
7.a Coolant System - Common Parts .....	22
7.b Coolant System - Specific Parts .....	24
7.b.1 Coolant System - Prior To RG0337 .....	25
7.b.2 Coolant System -RG0338 Thru RG0679 .....	25
7.b.3 Coolant System - Starting With RG0691 .....	25
8 OIL BATH AIR FILTER .....	26
9 EXHAUST SYSTEM .....	27
9.a Aluminized Steel With And Without Guard - Common Parts .....	27
9.a.1 Exhaust System With Guard .....	27

<b>PARAGRAPH NUMBER</b>	<b>Page</b>
10 BATTERY CHARGER .....	28
10.a Battery Charger - Solid State .....	28
10.a Battery Charger - Solid State - Common Parts .....	29
10.a.1 Battery Charger - Solid State - Harness .....	29
10.a.2 Battery Charger - Solid State - Harness .....	29
10.a.3 Battery Charger - Solid State - Harness .....	29
10.a.4 Battery Charger - Solid State - Harness .....	29
10.a.5 Battery Charger - Solid State - Harness .....	29
10.b Battery Charger - Alternator .....	30
11 SKINS OPTION .....	32
11.a Skins Option - Latched Door With Access Panels And Bumpers .....	32
11.b Skins Option - Common Parts .....	35
11.b.1 Skins Option - Cover - Bolted Door with Back Grille .....	35
11.b.2 Skins Option - Cover - Bolted Door with Notched Back Grille .....	35
12 LABELS .....	36
12.a Labels - English/Spanish, 102 and 130 Gallon, Pin & Clamp Mount, CE & Auto-Restart - Common Parts .....	37
12.a.1 Labels - English/Spanish, 102 and 130 Gallon, Pin Mount .....	37
12.a.2 Labels - English/Spanish, 102 and 130 Gallon, Clamp Mount .....	37
12.a.3 Labels - English/Spanish, 102 and 130 Gallon, Pin And Clamp Mount, No Auto-Restart .....	37
12.a.4 Labels - English/Spanish, 102 and 130 Gallon, CE, No Auto-Restart .....	37
12.a.5 Labels - English/Spanish, 102 and 130 Gallon, CE, Auto-Restart .....	37
13 CONTROL BOX .....	38
13.a Control Box - 91-00289-00, -01 and -02 - Common Parts - Includes: .....	39
13.a.1 Control Box - 91-00289-00 - Includes: .....	39
13.a.2 Control Box - 91-00289-01 - Includes: .....	39
13.a.3 Control Box - 91-00289-02 - Includes: .....	39
13.b Control Box - 91-00300-00, -01, -02 And 91-00338-00,-03 - Common Parts .....	40
13.c Control Box - 91-00300-00, -01, -02 And 91-00338-00,- 03 - Specific Parts .....	42
13.c.1 Control Box - 91-00300-00 - Includes: .....	42
13.c.2 Control Box - 91-00300-01 - Includes: .....	43
13.c.3 Control Box - 91-00300-02 - Includes: .....	43
13.c.4 Control Box - 91-00338-00 - Includes: .....	43
13.c.5 Control Box - 91-00338-03 - Includes: .....	43
13.d Control Box - Auto-Restart - 91-00300-03, -05 And 91-00338-02,-04,-08 - Common Parts ..	44
13.e Control Box - Auto Restart - 91-00300-03, -05 And 91-00338-02, -04,-08 - Specific Parts ..	46
13.e.1 Control Box - Auto Restart - 91-00300-03 - Includes: .....	46
13.e.2 Control Box - Auto Restart - 91-00300-05 - Includes: .....	47
13.e.3 Control Box - Auto Restart - 91-00338-02 - Includes: .....	47
13.e.4 Control Box - Auto Restart - 91-00338-04, -08 - Includes: .....	47

<b>PARAGRAPH NUMBER</b>	<b>Page</b>
14 VOLTAGE .....	48
14.a.1 Voltage .....	49
14.a.2 Voltage - 460V A.R. W/Alt .....	49
14.b Voltage - Receptacle Box - 460V .....	51
14.c Voltage - Receptacle Box - 230 & 460 Volt & Auto-Restart With Alternator - Common Parts ..	52
14.d Voltage - Receptacle Box - 230 & 460 Volt & Auto-Restart With Alternator - Specific Parts ..	54
14.d.1 Voltage - Specific Parts for 91-00301-00 - 460 Volt - Includes: .....	54
14.d.2 Voltage - Receptacle Box - Specific Parts for 91-00301-01 - 460 Volt - Includes: .....	55
14.d.3 Voltage - Receptacle Box - Specific Parts for 91-00301-02 - 460 Volt - Includes: .....	55
14.d.4 Voltage - Receptacle Box - Specific Parts for 91-00301-03 - 230 Volt - Includes: .....	55
14.d.5 Voltage - Receptacle Box - Specific Parts for 91-00301-04 - A/R With Alt. - Includes: .....	55
14.e Voltage Receptacle Box - 460 Volt - 91-00340-00 .....	56
14.e Voltage Receptacle Box - 460 Volt - 91-00340-00- Continued .....	57
15 VOLTMETER .....	58
15.a Voltmeter - No Voltmeter And Greenband - Common Parts .....	58
15.a.1 Voltmeter - No Voltmeter, Blank-off Plate .....	58
15.a.2 Voltmeter - Voltmeter - Greenband .....	58

## INTRODUCTION

This parts list identifies service replacement parts for the Carrier Transicold Diesel-Driven Generator Set listed in the model chart below. This parts list does not include detailed replacement parts for the engine listed in the first chart below. Detailed parts identification for these items may be found in the applicable parts list. The form numbers for the engine omit revision dash numbers. For example, the latest engine list may have an -01 added to the basic number to read 62-03459-01. Therefore, when forms are ordered the latest revision will be sent.

<b>MANUAL/ FORM NO.</b>	<b>ENGINE PART NO.</b>	<b>EQUIPMENT COVERED</b>	<b>TYPE OF MANUAL/FORM</b>
62-03741	26-00105-00	CT4-134-DI	Workshop
62-03459	26-00105-00	CT4-134-DI	Engine Parts List
62-10301	26-00115-01*	CT4-134-DI*	Workshop
62-10295	26-00115-01*	CT4-134-DI*	Engine Parts List
* Starting With RG0459 and Serial Number XA00001			

## MODEL AND PRODUCT IDENTIFICATION (PID) NUMBERS

Beginning with early 1995 production, in addition to a model number, Carrier Transicold began using a parts identification (PID) number in the format of RG0000. In this manual, the PID number is shown in boldface to point out variations within models. Please include the PID number, in addition to the model number, when ordering and inquiring about your unit.

## ORDERING INSTRUCTIONS

All orders and inquiries for parts must include:

- Part Identification Number (**PID**)
- Unit Serial Number
- Part Number
- Description of Part
- Quantity Required

Address all correspondence for parts to the following address:

CARRIER TRANSICOLD DIVISION  
Replacement Components Group  
TR-20, P.O. Box 4805  
Syracuse, New York 13221  
or  
Fax to: (315) 432-3778

## GENERAL NOTES

To find replacement parts, consult table of contents, and turn to the appropriate page for the illustrated breakdown of replacement parts. The following letter designations are used to classify parts throughout this list:

- A/R *As Required.*  
PID *Parts Identification Number* - essential to identify unit configuration.  
PL *Purchase locally.*  
SST *Stainless Steel* - 300 Series unless otherwise specified.  
SV *Suffix SV* - added to the part number designates service part replacement part.

## PAINTED PARTS COLOR SYSTEM

Available paint colors: (Other than White Cloud or Hull Blue)

PAINT COLOR	PART NO.
Sky Blue	36-00048-28
Flame Orange	36-00048-27
Citrus Orange	36-00048-29
Raven Black	36-00048-04
Red	36-00048-57

Overview of the new numbering system:

A typical part number appears as: 79-01741-00 (access door). To order an access door in sky blue you add the last three digits of the special color paint and then add the specific dash number for the color of that paint.

For example:

Sky blue paint P/N is 36-00048-28.  
The last three digits of the blue paint are: 048  
The specific dash number is: 28

The painted parts system looks like this:

79-01741-00 Standard P/N for the access door.  
048 Last 3 digits of special color paint.  
28 Specific dash # for color of paint.

79-01741-0004828 P/N For Special Painted Door

Data Entry Note:

The above is how you should see most parts being ordered. Certain customers may have a character constraint that will only allow them to input 14 characters in their system and our new painted part numbers are 16 characters long. Therefore, they will be ordering these parts without the dashes and will look like the following, 79017410004828.

**MODEL CHART**

**NOTE**

The numbers shown in the model chart below refer to the section numbers that cover that option.  
Please refer to the table of contents for page numbers.

69RG15-221-1	RG0116	79-01670-00	Schematic/ Wiring Diagram Decals	Fuel Tank Assembly Service Part Number	Unit Mounting	Unidrive	Fuel System	Oil System	Battery	Coolant System	Air Filter	Exhaust System	Battery Charger	Skins Option	Labels	Control Box	Voltage	Voltmeter
69RG15-221-2	RG0117	86-04177-01	62-02839-00/ 62-02840-00	86-04177-01	2.a 2.a.1 3.a 3.b 3.c	4.a 5.a 6.a 7.a 7.b 7.b.1	8.a 9.a 10.a 10.a.1	11.a 12.a 12.a.1 12.a.3	13.a 13.a.1	14.a.1 14.b 15.a 15.a.2								
											2.a 2.a.1 3.a 3.b 3.c	4.a 5.a 6.a 7.a 7.b 7.b.1	8.a 9.a 10.a 10.a.1	11.a 12.a 12.a.1 12.a.3	13.a 13.a.1	14.a.1 14.b 15.a 15.a.2		
69RG15-221-3	RG0205	86-04177-02	62-02991-00/ 62-02840-00	86-04177-01	2.a 2.a.1 3.a 3.b 3.c	4.a 5.a 6.a 7.a 7.b 7.b.1	8.a 9.a 9.a.1 10.a 10.a.2	11.b 11.b.1 12.a 12.a.1 12.a.4	13.b 13.c 13.c.1 14.a.1	14.c 14.d 14.d.1								
											2.a 2.a.1 3.a 3.b 3.c	4.a 5.a 6.a 7.a 7.b 7.b.1	8.a 9.a 9.a.1 10.a 10.a.4	11.b 11.b.1 12.a 12.a.1 12.a.4	13.b 13.c 13.c.1 14.a.1	14.c 14.d 14.d.1		
69RG15-221-6	RG0257	86-04177-03	62-10041-01/ 62-02840-00	86-04177-01	2.a 2.a.1 3.a 3.b 3.c	4.a 5.a 6.a 7.a 7.b 7.b.1	8.a 9.a 9.a.1 10.a 10.a.4	11.b 11.b.1 12.a 12.a.1 12.a.4	13.b 13.c 13.c.1 14.a.1	14.c 14.d 14.d.2								
											2.a 2.a.1 3.a 3.b 3.c	4.a 5.a 6.a 7.a 7.b 7.b.1	8.a 9.a 9.a.1 10.a 10.a.4	11.b 11.b.1 12.a 12.a.1 12.a.4	13.b 13.c 13.c.1 14.a.1	14.c 14.d 14.d.2		
69RG15-221-6	RG0233	86-04177-01	62-10041-00/ 62-02840-00	86-04177-01	2.a 2.a.1 2.a.3 3.a 3.b 3.c	4.a 5.a 6.a 7.a 7.b 7.b.1	8.a 9.a 9.a.1 10.a 10.a.1	11.a 12.a 12.a.1 12.a.3	13.a 13.a.1 13.a.3	14.a.1 14.b 15.a 15.a.1								
											2.a 2.a.1 2.a.3 3.a 3.b 3.c	4.a 5.a 6.a 7.a 7.b 7.b.1	8.a 9.a 9.a.1 10.a 10.a.1	11.a 12.a 12.a.1 12.a.3	13.a 13.a.1 13.a.3	14.a.1 14.b 15.a 15.a.1		



Model Number	69RG15-321-2	RG0145	62-02839-00/ 62-02840-00	86-04177-01	Unit Mounting	3.a 3.b 3.c	4.a	5.a	6.a	7.a 7.b 7.b.1	8.a	9.a	10.a 10.a.1	11.a	12.a 12.a.2 12.a.3	13.a 13.a.1	14.a.1 14.b	15.a 15.a.2
						3.a 3.b 3.c	4.a	5.a	6.a	7.a 7.b 7.b.1	8.a	9.a	10.a 10.a.1	11.a	12.a 12.a.2 12.a.3	13.a 13.a.2 13.a.2	14.a.1 14.b	15.a 15.a.2
						3.a 3.b 3.c	4.a	5.a	6.a	7.a 7.b 7.b.1	8.a	9.a	10.a 10.a.1	11.a	12.a 12.a.1 12.a.3	13.a 13.a.1	14.a.1 14.b	15.a 15.a.2
						3.a 3.b 3.c	4.a	5.a	6.a	7.a 7.b 7.b.1	8.a	9.a	10.a 10.a.1	11.a	12.a 12.a.2 12.a.3	13.a 13.a.1	14.a.1 14.b	15.a 15.a.2

Beginning in early 1998 Carrier Transicold began implementing a new model numbering system starting with PID RG0337.

Model Number	69RG15-102P-01	RG0364	62-10041-01 62-02840-00	86-04301-04	Unit Mounting	3.a 3.b 3.c	4.a	5.a	6.a	7.a 7.b 7.b.2	8.a	9.a	10.a 10.a.4	11.a	12.a 12.a.1 12.a.3	13.b 13.c 13.c.2	14.a.1 14.c 14.d 14.d.3	15.a 15.a.1
						3.a 3.b 3.c	4.a	5.a	6.a	7.a 7.b 7.b.2	8.a	9.a	10.a 10.a.4	11.a	12.a 12.a.1 12.a.3	13.b 13.c 13.c.2	14.a.1 14.c 14.d 14.d.3	15.a 15.a.1

Model Number	RG0466	Schematic/ Wiring Diagram Decals	86-04301-09	Fuel Tank Assembly Service Part Number	Unit Mounting	Unidrive	Fuel System	Oil System	Battery	Coolant System	Air Filter	Exhaust System	Battery Charger	Skins Option	Labels	Control Box	Voltage	Voltmeter
	RG0596	62-10386-00	86-04301-09	86-04301-09	2.b 2.b.1	3.a 3.a.1 3.b 3.c	4.a	5.a	6.a	7.a 7.b 7.b.2	8.a	9.a 9.a.1	10.a 10.a.3	11.b 11.b.1	12.a 12.a.1 12.a.5	13.d 13.e 13.e.1	14.a.1 14.c 14.d 14.d.3	15.a 15.a.1
	RG0654	62-10547-00	86-04301-09	86-04301-09	2.b 2.b.1	3.a 3.a.1 3.b 3.c	4.a	5.a	6.a	7.a 7.b 7.b.2	8.a	9.a 9.a.1	10.b	11.b 11.b.1	12.a 12.a.1 12.a.5	13.d 13.e 13.e.2	14.a.1 14.c 14.d 14.d.5	15.a 15.a.1
Model Number	RG0697	62-10710-00	86-04301-09	86-04301-09	2.b 2.b.1	3.a 3.b 3.c	4.b 4.b.1	5.a	6.a	7.a 7.b 7.b.3	8.a	9.a 9.a.1	10.a	11.b 11.b.2	12.a 12.a.1 12.a.5	13.d 13.e 13.e.3	14.a.2 14.c 14.d 14.d.5	15.a 15.a.1
	RG0736	62-10593-00	86-04301-09	86-04301-09	2.b 2.b.1	3.a 3.b 3.c	4.b 4.b.1	5.a	6.a	7.a 7.b 7.b.3	8.a	9.a 9.a.1	10.a 10.a.5	11.b 11.b.1	12.a 12.a.1 12.a.4	13.b 13.c 13.c.4	14.a.1 14.c 14.d 14.d.3	15.a 15.a.1
	RG0924	62-10937-00	86-04301-09	86-04301-09	2.b 2.b.1	3.a 3.b 3.c	4.b 4.b.1	5.a	6.a	7.a 7.b 7.b.3	8.a	9.a 9.a.1	10.a 10.a.5	11.b 11.b.1	12.a 12.a.1 12.a.4	13.d 13.e 13.e.4	14.a.1 14.c 14.d 14.d.3	15.a 15.a.1
Model Number	RG0836	62-10937-00	86-04301-09	86-04301-09	2.b 2.b.1	3.a 3.b 3.c	4.b 4.b.1	5.a	6.a	7.a 7.b 7.b.3	8.a	9.a 9.a.1	10.b	11.b 11.b.1	12.a 12.a.1 12.a.4	13.b 13.c 13.c.5	14.a.1 14.e	15.a 15.a.1

Model Number	RG0423	62-10041-02 62-02840-00	86-04301-05	2.b 2.b.3	3.a 3.b 3.c	4.a	5.a	6.a	7.a 7.b 7.b.2	8.a	9.a	10.a 10.a.4	11.a	12.a 12.a.1 12.a.3	13.b 13.c 13.c.2	14.a.1 14.c 14.d 14.d.3	15.a 15.a.1	Voltmeter
Model Number	RG0339	62-10041-00 62-02840-00	86-04177-01	2.a 2.a.2	3.a 3.b 3.c	4.a	5.a	6.a	7.a 7.b 7.b.1	8.a	9.a	10.a 10.a.2	11.a	12.a 12.a.2 12.a.3	13.a 13.a.3	14.a.1 14.b	15.a 15.a.1	Voltage
Model Number	RG0419	62-10041-01 62-02840-00	86-04301-05	2.b 2.b.2	3.a 3.b 3.c	4.a	5.a	6.a	7.a 7.b 7.b.2	8.a	9.a	10.a 10.a.5	11.a	12.a 12.a.2 12.a.3	13.b 13.c 13.c.3	14.a.1 14.c 14.d 14.d.4	15.a 15.a.1	Control Box
Model Number	RG0441	62-10347-00	86-04301-05	2.b 2.b.2	3.a 3.b 3.c	4.a	5.a	6.a	7.a 7.b 7.b.2	8.a	9.a	10.a 10.a.5	11.a	12.a 12.a.2 12.a.3	13.b 13.c 13.c.3	14.a.1 14.c 14.d 14.d.3	15.a 15.a.1	Labels
Model Number	RG0461	62-10347-00	86-04301-05	2.b 2.b.2	3.a 3.b 3.c	4.a	5.a	6.a	7.a 7.b 7.b.2	8.a	9.a	10.a 10.a.5	11.a	12.a 12.a.2 12.a.3	13.b 13.c 13.c.3	14.a.1 14.c 14.d 14.d.3	15.a 15.a.1	Skins Option
Model Number	RG0471	62-10347-00	86-04301-04	2.b 2.b.1 2.b.3	3.a 3.b 3.c	4.a	5.a	6.a	7.a 7.b 7.b.2	8.a	9.a	10.a 10.a.5	11.a	12.a 12.a.1 12.a.3	13.b 13.c 13.c.3	14.a.1 14.c 14.d 14.d.3	15.a 15.a.1	Battery Charger
Model Number	RG0471	62-10347-00	86-04301-04	2.b 2.b.1 2.b.3	3.a 3.b 3.c	4.a	5.a	6.a	7.a 7.b 7.b.2	8.a	9.a	10.a 10.a.5	11.a	12.a 12.a.1 12.a.3	13.b 13.c 13.c.3	14.a.1 14.c 14.d 14.d.3	15.a 15.a.1	Exhaust System
Model Number	RG0471	62-10347-00	86-04301-04	2.b 2.b.1 2.b.3	3.a 3.b 3.c	4.a	5.a	6.a	7.a 7.b 7.b.2	8.a	9.a	10.a 10.a.5	11.a	12.a 12.a.1 12.a.3	13.b 13.c 13.c.3	14.a.1 14.c 14.d 14.d.3	15.a 15.a.1	Air Filter
Model Number	RG0471	62-10347-00	86-04301-04	2.b 2.b.1 2.b.3	3.a 3.b 3.c	4.a	5.a	6.a	7.a 7.b 7.b.2	8.a	9.a	10.a 10.a.5	11.a	12.a 12.a.1 12.a.3	13.b 13.c 13.c.3	14.a.1 14.c 14.d 14.d.3	15.a 15.a.1	Coolant System
Model Number	RG0471	62-10347-00	86-04301-04	2.b 2.b.1 2.b.3	3.a 3.b 3.c	4.a	5.a	6.a	7.a 7.b 7.b.2	8.a	9.a	10.a 10.a.5	11.a	12.a 12.a.1 12.a.3	13.b 13.c 13.c.3	14.a.1 14.c 14.d 14.d.3	15.a 15.a.1	Battery
Model Number	RG0471	62-10347-00	86-04301-04	2.b 2.b.1 2.b.3	3.a 3.b 3.c	4.a	5.a	6.a	7.a 7.b 7.b.2	8.a	9.a	10.a 10.a.5	11.a	12.a 12.a.1 12.a.3	13.b 13.c 13.c.3	14.a.1 14.c 14.d 14.d.3	15.a 15.a.1	Oil System
Model Number	RG0471	62-10347-00	86-04301-04	2.b 2.b.1 2.b.3	3.a 3.b 3.c	4.a	5.a	6.a	7.a 7.b 7.b.2	8.a	9.a	10.a 10.a.5	11.a	12.a 12.a.1 12.a.3	13.b 13.c 13.c.3	14.a.1 14.c 14.d 14.d.3	15.a 15.a.1	Fuel System
Model Number	RG0471	62-10347-00	86-04301-04	2.b 2.b.1 2.b.3	3.a 3.b 3.c	4.a	5.a	6.a	7.a 7.b 7.b.2	8.a	9.a	10.a 10.a.5	11.a	12.a 12.a.1 12.a.3	13.b 13.c 13.c.3	14.a.1 14.c 14.d 14.d.3	15.a 15.a.1	Unidrive
Model Number	RG0471	62-10347-00	86-04301-04	2.b 2.b.1 2.b.3	3.a 3.b 3.c	4.a	5.a	6.a	7.a 7.b 7.b.2	8.a	9.a	10.a 10.a.5	11.a	12.a 12.a.1 12.a.3	13.b 13.c 13.c.3	14.a.1 14.c 14.d 14.d.3	15.a 15.a.1	Unit Mounting
Model Number	RG0471	62-10347-00	86-04301-04	2.b 2.b.1 2.b.3	3.a 3.b 3.c	4.a	5.a	6.a	7.a 7.b 7.b.2	8.a	9.a	10.a 10.a.5	11.a	12.a 12.a.1 12.a.3	13.b 13.c 13.c.3	14.a.1 14.c 14.d 14.d.3	15.a 15.a.1	Fuel Tank Assembly Service Part Number
Model Number	RG0471	62-10347-00	86-04301-04	2.b 2.b.1 2.b.3	3.a 3.b 3.c	4.a	5.a	6.a	7.a 7.b 7.b.2	8.a	9.a	10.a 10.a.5	11.a	12.a 12.a.1 12.a.3	13.b 13.c 13.c.3	14.a.1 14.c 14.d 14.d.3	15.a 15.a.1	Schematic/Wiring Diagram Decals
Model Number	RG0471	62-10347-00	86-04301-04	2.b 2.b.1 2.b.3	3.a 3.b 3.c	4.a	5.a	6.a	7.a 7.b 7.b.2	8.a	9.a	10.a 10.a.5	11.a	12.a 12.a.1 12.a.3	13.b 13.c 13.c.3	14.a.1 14.c 14.d 14.d.3	15.a 15.a.1	PID Number

Model Number	RG0574	Schematic/ Wiring Diagram Decals	86-04301-05	Fuel Tank Assembly Service Part Number	2.b 2.b.2	Unit Mounting	3.a 3.b 3.c	Unidrive	4.a	Fuel System	5.a	Oil System	6.a	Battery	7.a 7.b 7.b.2	Coolant System	8.a	Air Filter	9.a	Exhaust System	10.a 10.a.5	Battery Charger	11.a	Skins Option	12.a 12.a.2 12.a.3	Labels	13.b 13.c 13.c.3	Control Box	14.a.1 14.c 14.d 14.d.3	Voltage	15.a 15.a.1	Voltmeter
	RG0693	62-10347-00	86-04301-05	86-04301-05	2.b 2.b.2	2.b 2.b.2	3.a 3.b 3.c	4.b 4.b.1	5.a	6.a	7.a 7.b 7.b.2	8.a	9.a	10.a 10.a.5	11.a	12.a 12.a.2 12.a.3	13.b 13.c 13.c.4	14.a.1 14.c 14.d 14.d.3	15.a 15.a.1	69RG15-130C-01												
	RG0728	62-10721-00	86-04301-10	86-04301-10	2.b 2.b.2	2.b 2.b.2	3.a 3.b 3.c	4.b 4.b.1	5.a	6.a	7.a 7.b 7.b.2	8.a	9.a	10.a 10.a.5	11.a	12.a 12.a.2 12.a.3	13.b 13.c 13.c.4	14.a.1 14.c 14.d 14.d.3	15.a 15.a.1	69RG15-130C-01												
	RG0734	62-10937-00	86-04301-05	86-04301-05	2.b 2.b.2	2.b 2.b.2	3.a 3.b 3.c	4.b 4.b.1	5.a	6.a	7.a 7.b 7.b.2	8.a	9.a	10.a 10.a.5	11.a	12.a 12.a.2 12.a.3	13.b 13.c 13.c.1	14.a.1 14.c 14.d 14.d.3	15.a 15.a.1	69RG15-130C-01												
	RG0921	62-10937-00	86-04301-05	86-04301-05	2.b 2.b.2	2.b 2.b.2	3.a 3.b 3.c	4.b 4.b.1	5.a	6.a	7.a 7.b 7.b.2	8.a	9.a	10.a 10.a.5	11.a	12.a 12.a.2 12.a.3	13.d 13.e 13.e.4	14.a.1 14.e	15.a 15.a.1	69RG15-130C-01												
	RG0970	62-10937-00	86-04301-05	86-04301-05	2.b 2.b.2	2.b 2.b.2	3.a 3.b 3.c	4.b 4.b.1	5.a	6.a	7.a 7.b 7.b.2	8.a	9.a	10.a 10.a.5	11.a	12.a 12.a.2 12.a.3	13.d 13.e 13.e.4	14.a.1 14.e	15.a 15.a.1	69RG15-130C-01												

<b>Model Number</b>			
<b>PID Number</b>	RG0442	RG0462	RG0922
<b>Schematic/ Wiring Diagram Decals</b>	62-10347-00	62-10347-00	62-10595-00
<b>Fuel Tank Assembly Service Part Number</b>	86-04301-05	86-04301-05	86-04301-06
<b>Unit Mounting</b>	2.b 2.b.1 2.b.3	2.b 2.b.2	2.b 2.b.2
<b>Unidrive</b>	3.a 3.b 3.c	3.a 3.b 3.c	3.a 3.b 3.c
<b>Fuel System</b>	4.a	4.a	4.b 4.b.1
<b>Oil System</b>	5.a	5.a	5.a
<b>Battery</b>	6.a	6.a	6.a
<b>Coolant System</b>	7.a 7.b 7.b.2	7.a 7.b 7.b.2	7.a 7.b 7.b.2
<b>Air Filter</b>	8.a	8.a	8.a
<b>Exhaust System</b>	9.a	9.a	9.a
<b>Battery Charger</b>	10.a 10.a.5	10.a 10.a.5	10.a 10.a.5
<b>Skins Option</b>	11.a	11.a	11.a
<b>Labels</b>	12.a 12.a.2 12.a.3	12.a 12.a.2 12.a.3	12.a 12.a.2 12.a.5
<b>Control Box</b>	13.b 13.c 13.c.3	13.b 13.c 13.c.1	13.d 13.e 13.e.2
<b>Voltage</b>	14.a.1 14.c 14.d 14.d.3	14.a.1 14.c 14.d 14.d.3	14.a.1 14.c 14.d 14.d.3
<b>Voltmeter</b>	15.a 15.a.1	15.a 15.a.1	15.a 15.a.1
		69RG15-130C-02	

Model Number	RG0338	62-10041-01 62-02840-00	86-04301-06	2.b 2.b.1	3.a 3.a.1 3.b 3.c	4.a	5.a	6.a	7.a 7.b 7.b.2	8.a	9.a 9.a.1	10.a 10.a.4	11.b 11.b.1	12.a 12.a.1 12.a.4	13.b 13.c 13.c.2	14.a.1 14.c 14.d 14.d.3	15.a 15.a.1	Voltmeter	
	RG0430	62-10347-00	86-04301-07	2.c	3.a 3.a.1 3.b 3.c	4.a	5.a	6.a	7.a 7.b 7.b.2	8.a	9.a 9.a.1	10.a 10.a.5	11.b 11.b.1	12.a 12.a.1 12.a.4	13.b 13.c 13.c.3	14.a.1 14.c 14.d 14.d.3	15.a 15.a.1	Voltage	
	RG0433	62-10347-00	86-04301-07	2.b 2.b.1	3.a 3.a.1 3.b 3.c	4.a	5.a	6.a	7.a 7.b 7.b.2	8.a	9.a 9.a.1	10.a 10.a.5	11.b 11.b.1	12.a 12.a.1 12.a.4	13.b 13.c 13.c.3	14.a.1 14.c 14.d 14.d.3	15.a 15.a.1	Control Box	
	RG0738	62-10937-00	86-04301-07	2.b 2.b.1	3.a 3.a.1 3.b 3.c	4.a	5.a	6.a	7.a 7.b 7.b.2	8.a	9.a 9.a.1	10.a 10.a.5	11.b 11.b.1	12.a 12.a.1 12.a.4	13.d 13.e 13.e.4	14.a.1 14.c 14.d 14.d.3	15.a 15.a.1	Labels	
	RG0968	62-10937-00	86-04301-07	2.b 2.b.1	3.a 3.a.1 3.b 3.c	4.a	5.a	6.a	7.a 7.b 7.b.2	8.a	9.a 9.a.1	10.a 10.a.5	11.b 11.b.1	12.a 12.a.1 12.a.4	13.d 13.e 13.e.4	14.a.1 14.c 14.d 14.d.3	15.a 15.a.1	Skins Option	
	RG0969	62-10937-00	86-04301-07	2.b 2.b.1	3.a 3.a.1 3.b 3.c	4.a	5.a	6.a	7.a 7.b 7.b.2	8.a	9.a 9.a.1	10.a 10.a.5	11.b 11.b.1	12.a 12.a.1 12.a.4	13.d 13.e 13.e.4	14.a.1 14.c 14.d 14.d.3	15.a 15.a.1	Battery Charger	
																			Battery
																			Oil System
																			Fuel System
																			Unidrive
																			Unit Mounting
																			Fuel Tank Assembly Service Part Number
																			Schematic/Wiring Diagram Decals
																			PID Number
																			Model Number

Model Number	RG0459	Schematic/ Wiring Diagram Decals	86-04301-07	Fuel Tank Assembly Service Part Number	Unit Mounting	Unidrive	Fuel System	Oil System	Battery	Coolant System	Air Filter	Exhaust System	Battery Charger	Skins Option	Labels	Control Box	Voltage	Voltmeter
	RG0460	62-10347-00	86-04301-07	86-04301-05	2.c 2.b 2.b.1	3.a 3.a.1 3.b 3.c	4.a	5.a	6.a	7.a 7.b 7.b.2	8.a	9.a 9.a.1	10.a 10.a.5	11.b	12.a 12.a.1 12.a.4	13.b 13.c 13.c.3	14.a.1 14.c 14.d 14.d.3	15.a 15.a.1
69RG15-130P-01	RG0679	62-10593-00	86-04301-07	86-04301-05	2.c	3.a 3.a.1 3.b 3.c	4.b 4.b.2	5.a	6.a	7.a 7.b 7.b.2	8.a	9.a 9.a.1	10.a 10.a.5	11.b	12.a 12.a.1 12.a.3	13.b 13.c 13.c.4	14.a.1 14.c 14.d 14.d.3	15.a 15.a.1
	RG0691	62-10593-00	86-04301-07	86-04301-05	2.b 2.b.2	3.a 3.a.1 3.b 3.c	4.b 4.b.2	5.a	6.a	7.a 7.b 7.b.3	8.a	9.a 9.a.1	10.a 10.a.5	11.b	12.a 12.a.1 12.a.4	13.b 13.c 13.c.4	14.a.1 14.c 14.d 14.d.3	15.a 15.a.1
69RG15-130P-02	RG0352	62-10041-01 62-02840-00	86-04301-05	86-04301-05	2.b 2.b.1	3.a 3.b 3.c	4.a	5.a	6.a	7.a 7.b 7.b.2	8.a	9.a	10.a 10.a.4	11.a	12.a 12.a.1 12.a.3	13.b 13.c 13.c.2	14.a.1 14.c 14.d 14.d.3	15.a 15.a.1
	RG0919	62-10937-00	86-04301-05	86-04301-05	2.b 2.b.1	3.a 3.a.1 3.b 3.c	4.a	5.a	6.a	7.a 7.b 7.b.2	8.a	9.a 9.a.1	10.a 10.a.5	11.b 11.b.1	12.a 12.a.1 12.a.4	13.d 13.e 13.e.4	14.a.1 14.c 14.d 14.d.3	15.a 15.a.1

Model Number	RG0337	62-10041-01 62-02840-00	86-04301-05	2.b 2.b.1 2.b.3	3.a 3.b 3.c	4.a	5.a	6.a	7.a 7.b 7.b.2	8.a	9.a	10.a 10.a.4	11.a	12.a 12.a.1 12.a.3	13.b 13.c 13.c.2	14.a.1 14.c 14.d 14.d.3	15.a 15.a.1	Voltmeter	
	RG0346	62-10041-01 62-02840-00	86-04301-05	2.b 2.b.1 2.b.3	3.a 3.b 3.c	4.a	5.a	6.a	7.a 7.b 7.b.2	8.a	9.a	10.a 10.a.4	11.a	12.a 12.a.1 12.a.3	13.b 13.c 13.c.2	14.a.1 14.c 14.d 14.d.3	15.a 15.a.1	Voltage	
	RG0696	62-10937-00	86-04301-05	2.b 2.b.1 2.b.3	3.a 3.a.1 3.b 3.c	4.a	5.a	6.a	7.a 7.b 7.b.2	8.a	9.a 9.a.1	10.a 10.a.5	11.b 11.b.1	12.a 12.a.1 12.a.4	13.d 13.e 13.e.4	14.a.1 14.c 14.d 14.d.3	15.a 15.a.1	Control Box	
	RG0920	62-10937-00	86-04301-05	2.b 2.b.1 2.b.3	3.a 3.b 3.c	4.a	5.a	6.a	7.a 7.b 7.b.2	8.a	9.a 9.a.1	10.a 10.a.5	11.a	12.a 12.a.1 12.a.3	13.d 13.e 13.e.4	14.a.1 14.c 14.d 14.d.3	15.a 15.a.1	Labels	
	RG0962	62-10937-00	86-04301-05	2.b 2.b.1 2.b.3	3.a 3.b 3.c	4.a	5.a	6.a	7.a 7.b 7.b.2	8.a	9.a 9.a.1	10.a 10.a.5	11.a	12.a 12.a.1 12.a.3	13.d 13.e 13.e.4	14.a.1 14.c 14.d 14.d.3	15.a 15.a.1	Skins Option	
	RG0966	62-10937-00	86-04301-05	2.b 2.b.1 2.b.3	3.a 3.b 3.c	4.a	5.a	6.a	7.a 7.b 7.b.2	8.a	9.a 9.a.1	10.a 10.a.5	11.a	12.a 12.a.1 12.a.3	13.d 13.e 13.e.4	14.a.1 14.c 14.d 14.d.3	15.a 15.a.1	Battery Charger	
	RG0973	62-10937-00	86-04301-05	2.b 2.b.1 2.b.3	3.a 3.b 3.c	4.a	5.a	6.a	7.a 7.b 7.b.2	8.a	9.a 9.a.1	10.a 10.a.5	11.a	12.a 12.a.1 12.a.3	13.d 13.e 13.e.4	14.a.1 14.c 14.d 14.d.3	15.a 15.a.1	Exhaust System	
																			Air Filter
																			Coolant System
																			Battery
																			Oil System
																			Fuel System
																			Unidrive
																			Unit Mounting
																			Fuel Tank Assembly Service Part Number
																			Schematic/Wiring Diagram Decals
																			PID Number
																			69RG15-130W-01



Model Number	RG0450	Schematic/ Wiring Diagram Decals	86-04301-05	Fuel Tank Assembly Service Part Number	2.b 2.b.1 2.b.3	Unit Mounting	3.a 3.b 3.c	Unidrive	4.a	Fuel System	5.a	Oil System	6.a	Battery	7.a 7.b 7.b.2	Coolant System	8.a	Air Filter	9.a	Exhaust System	10.a 10.a.5	Battery Charger	11.a	Skins Option	12.a 12.a.1 12.a.3	Labels	13.b 13.c 13.c.3	Control Box	14.a.1 14.c 14.d 14.d.3	Voltage	Voltmeter		
	RG0465	62-10347-00	86-04301-05		2.b 2.b.1 2.b.3		3.a 3.b 3.c	4.a	5.a	6.a	7.a 7.b 7.b.2	8.a	9.a	10.a 10.a.5	11.a	12.a 12.a.1 12.a.3	13.b 13.c 13.c.3	14.a.1 14.c 14.d 14.d.3	15.a 15.a.1														
	RG0520	62-10347-00	86-04301-05		2.b 2.b.1 2.b.3		3.a 3.b 3.c	4.a	5.a	6.a	7.a 7.b 7.b.2	8.a	9.a	10.a 10.a.5	11.a	12.a 12.a.1 12.a.3	13.b 13.c 13.c.3	14.a.1 14.c 14.d 14.d.3	15.a 15.a.1														
	RG0573	62-10347-00	86-04301-05		2.b 2.b.1 2.b.3		3.a 3.b 3.c	4.a	5.a	6.a	7.a 7.b 7.b.2	8.a	9.a	10.a 10.a.5	11.a	12.a 12.a.1 12.a.3	13.b 13.c 13.c.3	14.a.1 14.c 14.d 14.d.3	15.a 15.a.1														
	RG0595	62-10347-00	86-04301-05		2.b 2.b.1 2.b.3		3.a 3.b 3.c	4.a	5.a	6.a	7.a 7.b 7.b.2	8.a	9.a	10.a 10.a.5	11.a	12.a 12.a.1 12.a.3	13.b 13.c 13.c.3	14.a.1 14.c 14.d 14.d.3	15.a 15.a.1														
	RG0735	62-10593-00	86-04301-05		2.b 2.b.1 2.b.3		3.a 3.b 3.c	4.a 4.b 4.b.1	5.a	6.a	7.a 7.b 7.b.3	8.a	9.a	10.a 10.a.5	11.a	12.a 12.a.1 12.a.3	13.b 13.c 13.c.4	14.a.1 14.c 14.d 14.d.3	15.a 15.a.1														

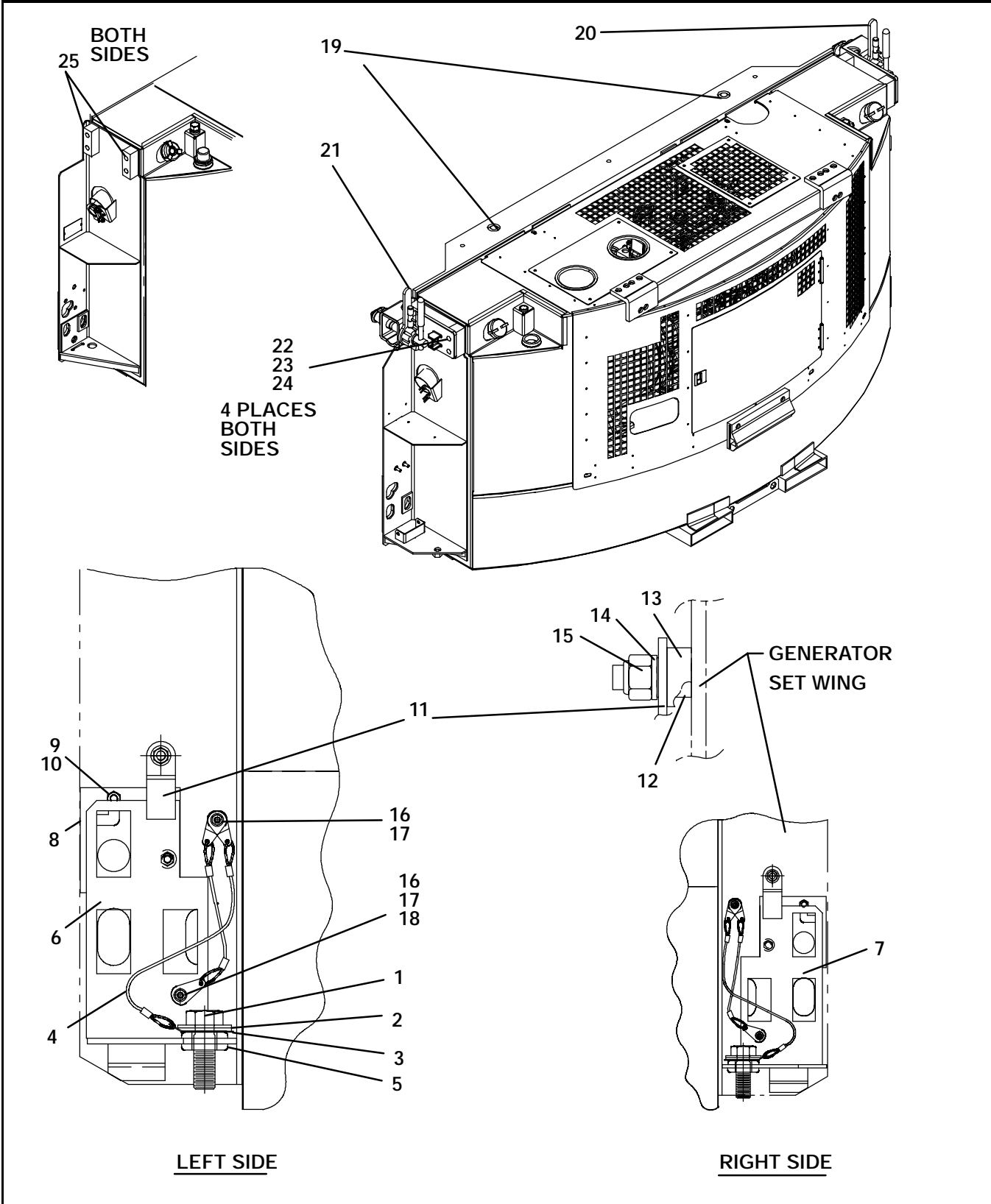
**1 QUICK LIST****1.a Quick List - Butt Connectors, Clamps, Electrical Cables, Filters, Grease, Paint, Spiral Rap, Ty-raps And Wire Terminals**

<b>PART NO.</b>	<b>DESCRIPTION</b>
66U1-9782	Cable, 4 Conductor, #10 AWG, Yellow, 230V (Sold by the foot) (NSI)
34-00373-51	Clamp, Tube, 1/4 - SST
34-00373-53	Clamp, Tube, 3/8 - SST
34-00373-05	Clamp, Tube, 1/2 - SST
34-00373-07	Clamp, Tube, 5/8 - SST
34-00373-59	Clamp, Tube, 3/4 - SST
34-00373-11	Clamp, Tube, 7/8 - SST
34-00373-63	Clamp, Tube, 1.00 - SST
34-00373-65	Clamp, Tube, 1-1/8 - SST
34-00373-88	Clamp, Tube, 1-1/4 - SST
34-00373-69	Clamp, Tube, 1-3/8 - SST
34-00373-71	Clamp, Tube, 1-1/2 - SST
44-00045-25	Clamp, Worm, Range - 7/32 to 5/8 OD - SST
44-00045-06	Clamp, Worm, Range - 3/8 to 3/4 OD - SST
44-00045-01	Clamp, Worm, Range - 1/2 to 15/16 OD - SST
44-00045-03	Clamp, Worm, Range - 13/16 to 1-3/4 OD - SST
44-00045-04	Clamp, Worm, Range - 1-9/16 to 2-1/2 OD - SST
44-00045-05	Clamp, Worm, Range - 2-1/16 to 3 OD - SST
22-00066-01	Connector, Butt End, Wire Range - 22 to 16 Gauge
22-00066-02	Connector, Butt End, Wire Range - 16 to 14 Gauge
22-00066-03	Connector, Butt End, Wire Range - 12 to 10 Gauge
22-00041-00	Connector, Closed End, Wire Range - 22 to 14 Gauge
22-00041-02	Connector, Closed End, Wire Range - 18 to 10 Gauge
30-01079-01	Filter Element, Fuel - <b>Prior To UG0679</b>
30-01101-50	Filter Element, Fuel
30-00450-00	Filter, Oil - Full flow with Internal Bypass
30-00463-00	Filter, Oil - Full flow Extended Life with Internal Bypass ( <b>See note</b> )
30-00323-00	Filter, Lube Oil - Full Flow
07-00245-00	Grease, Dow 33 Lithium Base (Used for Lubricating Fuel Solenoid Plunger)
22-01140-01	Ring Terminal, #6, Wire Range - 12 to 10 Gauge
22-01140-02	Ring Terminal, #10, Wire Range - 12 to 10 Gauge
22-01140-04	Ring Terminal, 3/8, Wire Range - 12 to 10 Gauge
22-00119-04	Ring Terminal, 1/4, Wire Range - 12 to 10 Gauge
22-00120-04	Ring Terminal, #10, Wire Range - 16 to 14 Gauge
22-00120-07	Ring Terminal, 5/16, Wire Range - 16 to 14 Gauge
22-00121-07	Ring Terminal, #10, Wire Range - 22 to 16 Gauge
22-01139-04	Ring Terminal, 3/8, Wire Range - 16 to 14 Gauge
22-01141-01	Spade Terminal, .032 x .250, Wire Range - 16 to 14 Gauge
22-00595-01	Spade Terminal, 3/8, Wire Range - 12 to 10 Gauge
22-01106-00	Spiral Wrap, 1/4 Inch Diameter X 25 Feet Long
22-01107-00	Spiral Wrap, 1/2 Inch Diameter X 25 Feet Long
44-01043-05	Ty-Raps, 5-1/2 inches Long
44-01043-07	Ty-Raps, 11 inches Long
50-00162-04	V-Belt, Eccentric Idler
50-00204-01	V-Belt, Alternator

**NOTE:** This filter is intended for use with engines Serial Number 2Y2853 and higher. Engines below that number may use the full flow extended life filter (CTD P/N 30-00463-00) when used in conjunction with an oil filter adapter nipple (CTD P/N 25-39321-00).

## 2 UNIT MOUNTING

### 2.a Unit Mounting



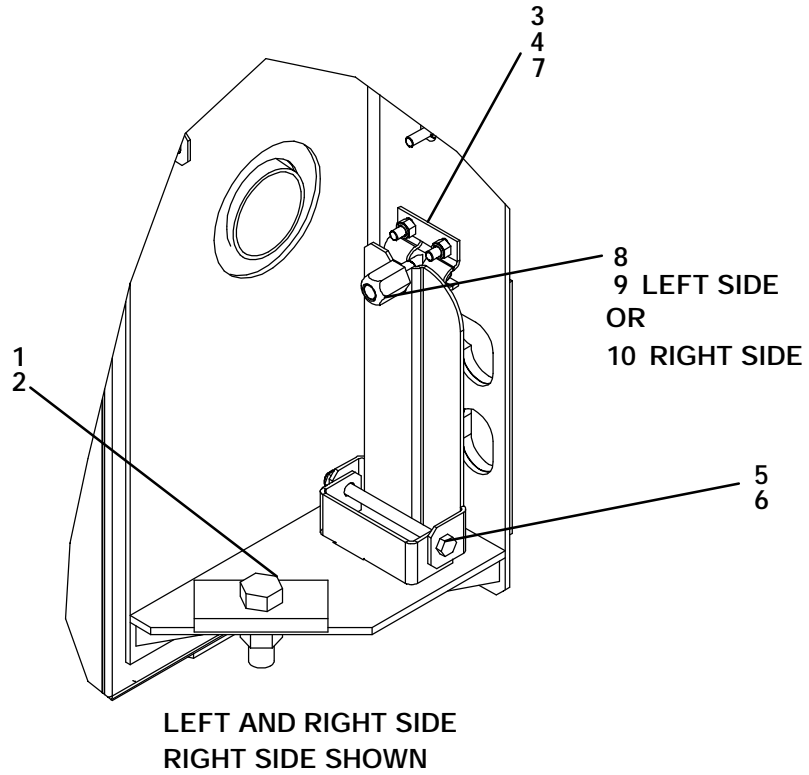
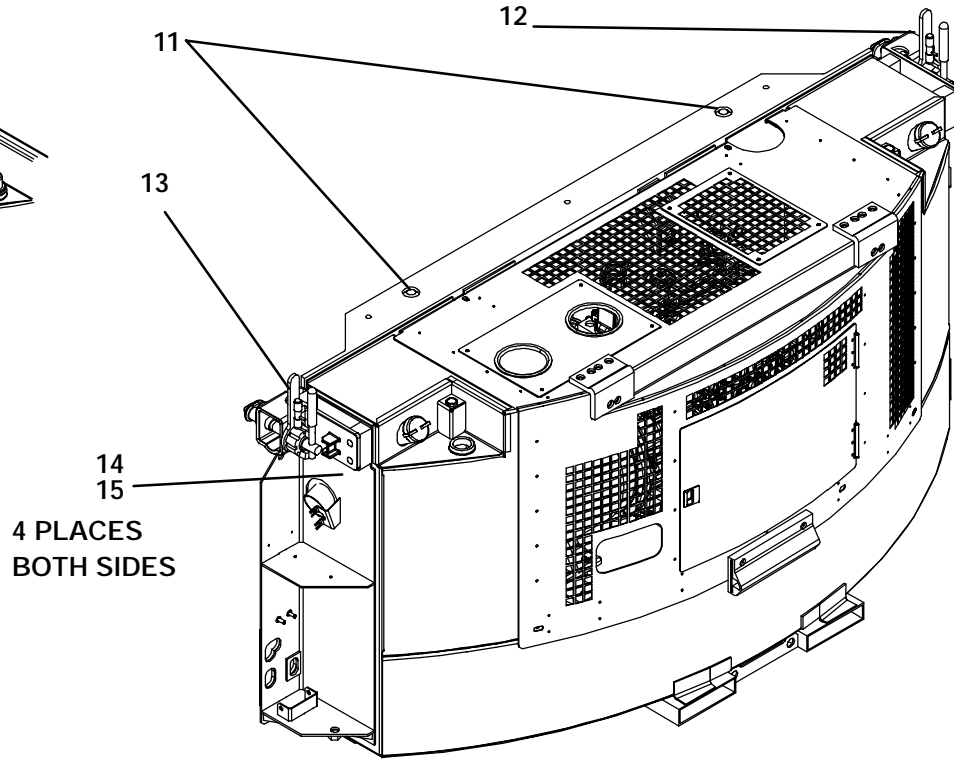
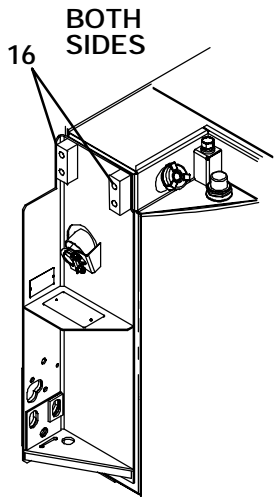
<b>2.a Unit Mounting - Common Parts</b>			
<b>Item</b>	<b>Part Number</b>	<b>Description</b>	<b>Qty</b>
1	69GC15-492	Screw Assembly - Includes:	2
2	34-00662-18	Washer, Flat - SST	4
3	69GC15-1252	Washer, Retaining - SST	2
4	44-50005-00	Lanyard Assembly	4
5	66U1-1571-20	Grommet	2
6	68-12227-00	Plate <b>(Left Hand)</b>	1
7	68-12227-01	Plate <b>(Right Hand)</b>	1
8	69GC15-1212	Plate, Adjustable Mounting	2
9	66U1-5321-7	Washer, Flat, 1/4 - SST	4
10	34-00667-61	Locknut, 1/4-20 UNC-2B - SST	4
11	69GC15-3022	Bracket, Retaining Lever	2
12	34-01219-01	Spacer	2
13	34-01219-02	Spacer	2
14	34-01264-12	Washer, Flat, 5/16 - SST	2
15	34-00667-12	Locknut, 5/16-18 - SST	2
16	66U1-5321-2	Washer, Flat, #8 - SST	6
17	34-00667-08	Locknut, #8-32 - SST	4
18	66U1-5371	Screw, Hex Head, #8-32 x 1/2 Lg. - SST	2

<b>2.a.1 Unit Mounting - Pin Mount</b>			
<b>Item</b>	<b>Part Number</b>	<b>Description</b>	<b>Qty</b>
19	69GC15-1602	Pin, Unit Mounting	2

<b>2.a.2 Unit Mounting - Clamp Mount</b>			
<b>Item</b>	<b>Part Number</b>	<b>Description</b>	<b>Qty</b>
20	44-00362-02	Clamp, Unit Mounting (Road Side) (Welded)	1
21	44-00362-03	Clamp, Unit Mounting (Curb Side) (Welded)	1
22	34-06170-08	Screw, Socket Hd. Cap, 5/8-11 x 1.75 Lg.	8
23	66U1-5321-9	Washer, Flat, 5/8 - SST	8
24	66U1-5331-8	Washer, Lock, 5/8	8

<b>2.a.3 Unit Mounting - Pin Mount With Clamp Provision</b>			
<b>Item</b>	<b>Part Number</b>	<b>Description</b>	<b>Qty</b>
-	76-00707-00	Kit, Clamp - Field Installation	1
19	69GC15-1602	Pin, Unit Mounting	2
25	48-00309-00	Block, Mounting	4

2.b Unit Mounting



<b>2.b Unit Mounting - Common Parts</b>			
<b>Item</b>	<b>Part Number</b>	<b>Description</b>	<b>Qty</b>
1	34-06149-03	Screw, Cap Hex Head, 3/4-10 x 2.25 Lg.	2
2	68-12996-01	Plate, Spacer - <b>See NOTE</b>	2
3	68-12997-00	Bracket, Mounting - <b>See NOTE</b>	2
4	34-00667-12	Locknut, 5/16-18 - SST	4
5	34-00667-13	Locknut, 3/8-18 - SST	2
6	34-06200-00	Screw, Cap Hex Head, 3/8-16 x 4.88 Lg.	2
7	34-06201-00	Bolt, T-head, 1/2-13 x 2.75 Lg.	2
8	34-06207-00	Knob, 1/2-13	2
9	68-12998-01	Retainer, Left Side - <b>See NOTE</b>	1
10	68-12998-00	Retainer, Right Side - <b>See NOTE</b>	1

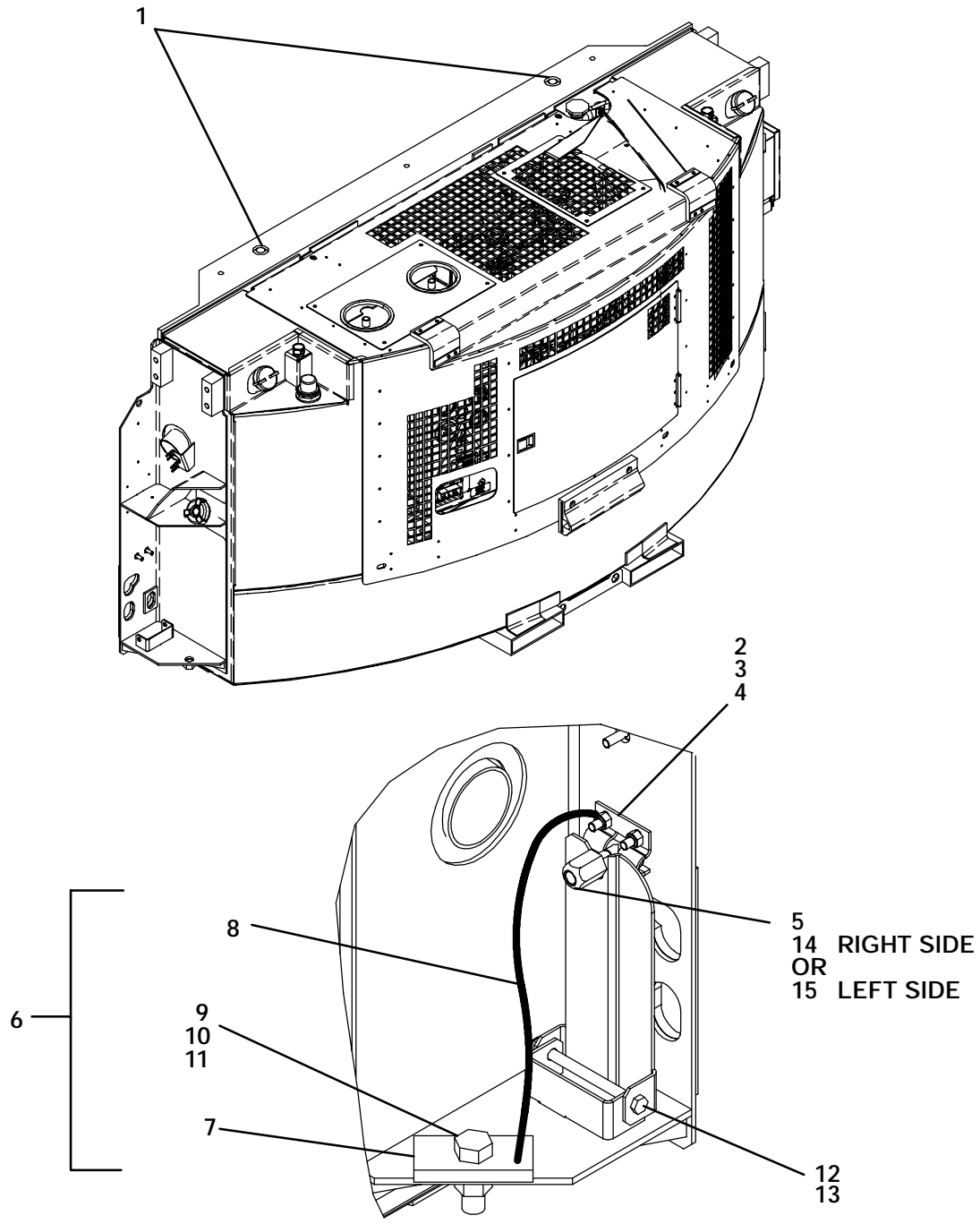
<b>2.b.1 Unit Mounting - Pin Mount</b>			
<b>Item</b>	<b>Part Number</b>	<b>Description</b>	<b>Qty</b>
11	69GC15-1602	Pin, Unit Mounting	2

<b>2.b.2 Unit Mounting - Clamp Mount</b>			
<b>Item</b>	<b>Part Number</b>	<b>Description</b>	<b>Qty</b>
12	44-00362-02	Clamp, Unit Mounting (Road Side) (Welded)	1
13	44-00362-03	Clamp, Unit Mounting (Curb Side) (Welded)	1
14	34-06170-08	Screw, Socket Hd. Cap, 5/8-11 x 1.75 Lg.	8
15	66U1-5331-8	Washer, Lock, 5/8	8

<b>2.b.3 Unit Mounting - Pin Mount With Clamp Provision</b>			
<b>Item</b>	<b>Part Number</b>	<b>Description</b>	<b>Qty</b>
-	76-00707-00	Kit, Clamp - Field Installation	1
11	69GC15-1602	Pin, Unit Mounting	2
16	48-00309-00	Block, Mounting	4

**NOTE:** See page v for painted parts color system.

2.c Unit Mounting - Pin Mount



LEFT AND RIGHT SIDE  
RIGHT SIDE SHOWN

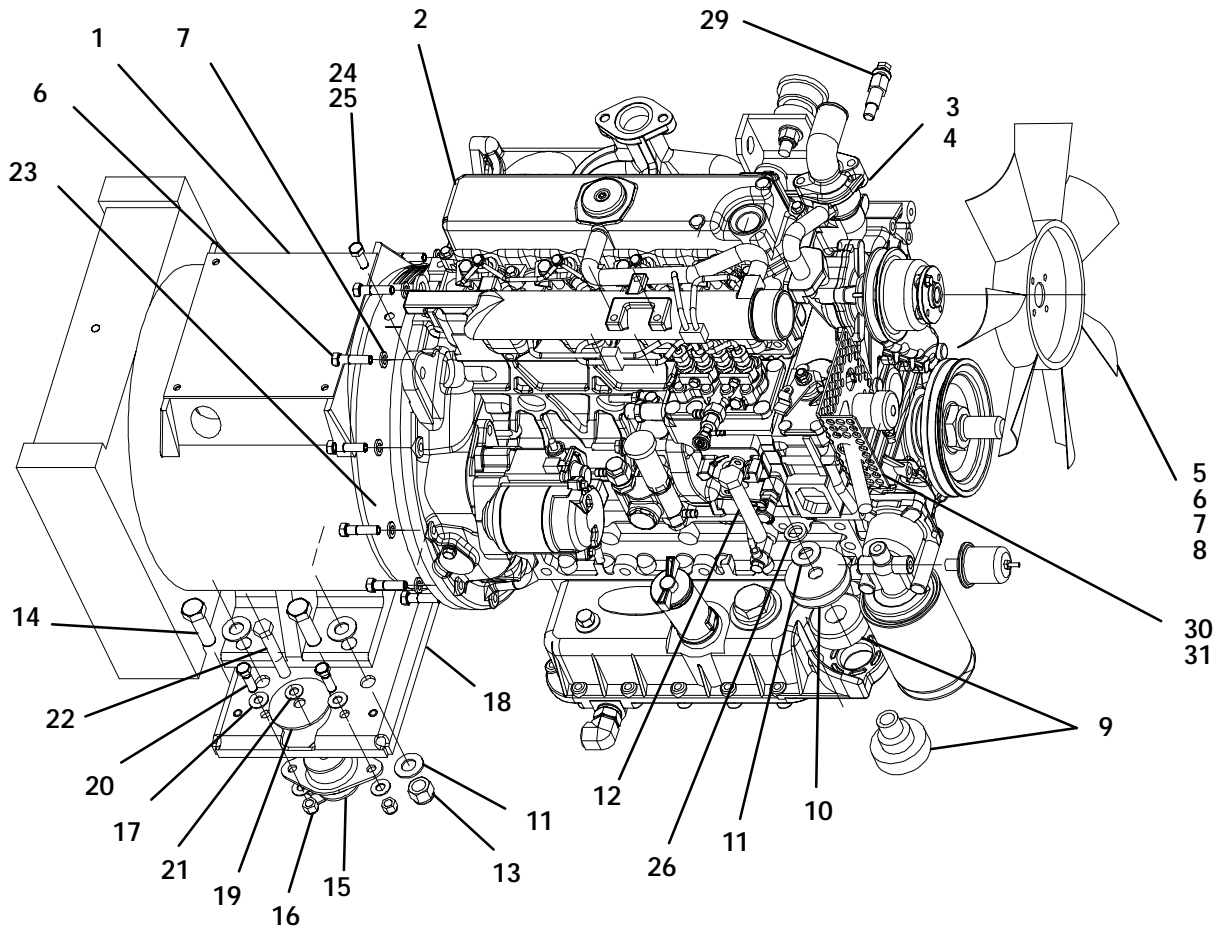
<b>2.c Unit Mounting - Pin Mount</b>			
<b>Item</b>	<b>Part Number</b>	<b>Description</b>	<b>Qty</b>
1	69GC15-1602	Pin, Unit Mounting	2
2	68-12997-00	Bracket, Mounting - <b>See NOTE</b>	2
3	34-00667-12	Locknut, 5/16-18 - SST	4
4	34-06201-00	Bolt, T-head, 1/2-13 x 2.75 Lg.	2
5	34-06207-00	Knob, 1/2-13	2
6	74-00226-00	Lower Mounting Block	2
7	48-00354-00	Spacer, Plate	1
8	44-00402-00	Tether Assy	1
9	34-06149-03	Screw, Cap Hxhd, 3/4-10 X 2.25	1
10	34-06229-00	Bolt, Shoulder	1
11	34-06205-00	Washer, Retaining	1
12	34-00667-13	Locknut, 3/8-18 - SST	2
13	34-06200-00	Screw, Cap Hex Head, 3/8-16 x 4.88 Lg.	2
14	68-12998-00	Retainer, Right Side - <b>See NOTE</b>	1
15	68-12998-01	Retainer, Left Side - <b>See NOTE</b>	1

**NOTE:** See page v for painted parts color system.



3 UNIDRIVE

3.a Unidrive Assembly - With And Without Throttle Guard

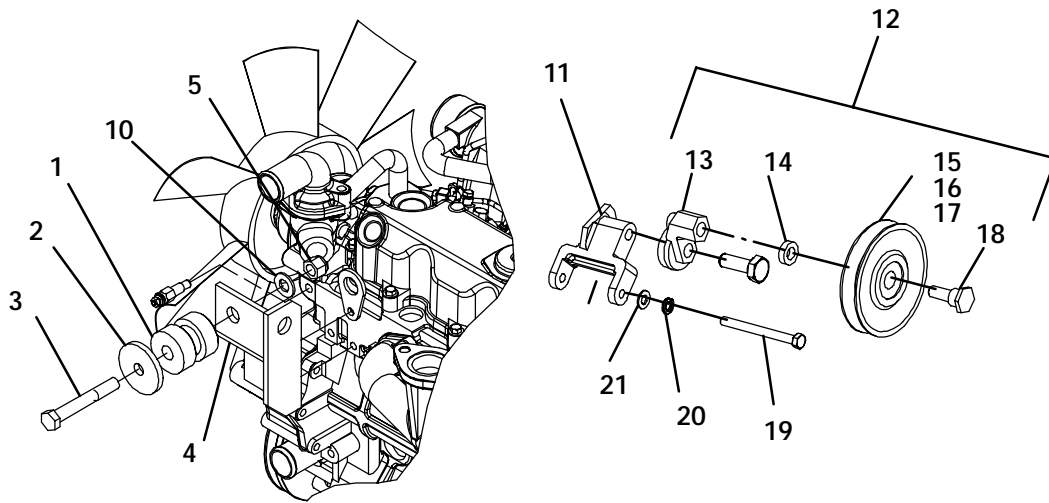


<b>3.a Unidrive - Common Parts</b>			
<b>Item</b>	<b>Part Number</b>	<b>Description</b>	<b>Qty</b>
1	-	Generator, AC - See Section 3.c	1
2	26-00105-00	Engine - Prior to RG0459 - See Note	1
	26-00115-01	Engine - Starting with RG0459	1
3	25-38735-00	Cover, Thermostat	1
4	25-37558-00	Gasket, Thermostat Cover	1
5	38-00152-00	Fan	1
6	34-01152-35	Screw, Cap Hex Head, M6 x 35MM - SST	4
7	34-01151-06	Washer, Flat, M6 - SST	4
8	34-00945-06	Washer, Lock, 1/4 - SST	4
9	73-00198-00	Shockmount	2
10	34-06060-01	Washer, Snubbing, 0.657 I.D. x 2.81 O.D. - SST	4
11	66U1-5321-9	Washer, Flat, 5/8 - SST	10
12	66U1-5361-36	Screw, Cap Hex Head, 5/8-11 x 4.00 Lg. - SST	2
13	34-00795-17	Nut, Self Locking, 5/8-18 - SST	4
14	34-00804-16	Screw, Cap Hex Head, 5/8-18 x 2.00 Lg. - SST	4
15	73-00175-01	Shockmount	2
16	34-00667-13	Nut, Self Locking, 3/8-16 - SST	4
17	34-00829-13	Washer, Flat, 3/8 - SST	8
18	86-04182-00	Base, Generator Mounting	1
19	34-00890-09	Washer, Flat, 0.515 I.D. x 2.00 O.D.	2
20	34-00807-10	Screw, Hex Head 3/8-16 x 1.25 Lg. - SST	4
21	34-00829-15	Washer, Flat, 1/2 - SST	3
22	34-00833-24	Screw, Cap Hex Head, 1/2-13 x 3.00 Lg. - SST	2
23	68-12174-00	Strap	1
24	66U1-5321-5	Washer, Flat, 3/8 - SST	2
25	34-00807-08	Screw, Hex Head, 3/8-16 x 1.00 Lg. - SST	1
26	66U1-5331-8	Washer, Lock, 5/8 - SST	2
27	34-01153-82	Bolt, Hex, 8mm X 16mm	2
28	34-60095-29	Washer, Lock, M8 Spring	2
29	12-00098-04	Sensor, Water Temperature (Located Below Thermostat Cover)	1

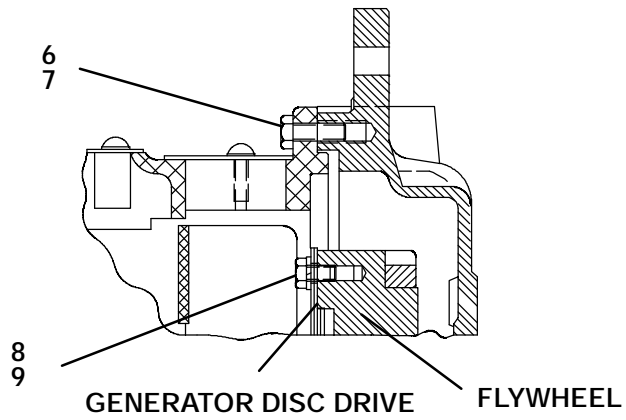
<b>3.a.1 Unidrive - With Throttle Guard</b>			
<b>Item</b>	<b>Part Number</b>	<b>Description</b>	<b>Qty</b>
30	68-12830-00	Grille, Throttle	1
31	34-06053-03	Washer, Mylar, 1/4 I.D. x 1 O.D.	2

**NOTE:** This engine is no longer available. Order 26-00115-01 for replacement engine. See Engine Manual 62-03741 for replacement parts for 26-00105-00.

3.b Unidrive Assembly - Shockmount, Disc Drive And Pulley



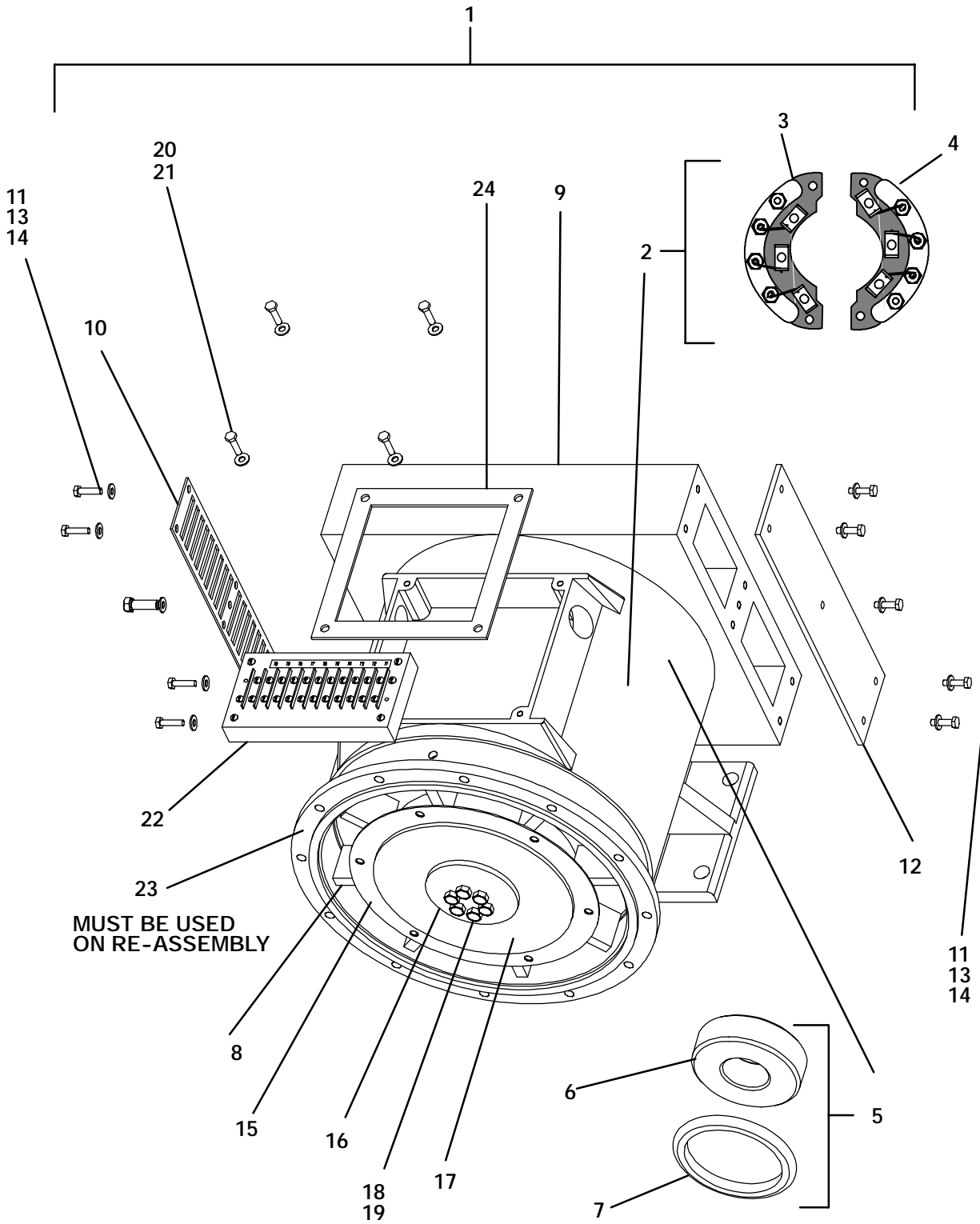
SHOCKMOUNT ASSEMBLY



**3.b Unidrive Assembly - Shockmount, Disc Drive And Pulley**

Item	Part Number	Description	Qty
1	73-00160-02	Shockmount	1
2	34-00890-08	Washer, Flat, 0.515 I.D. x 2.25 O.D.	1
3	AA06BZ301	Screw, Cap Hex Head, 1/2-13 x 3.50 Lg.	1
4	86-04172-00	Bracket	1
5	34-00667-15	Nut, Self Locking, 1/2-13 - SST	1
6	34-00807-12	Screw, Cap Hex Head, 3/8-16 x 1.50 Lg. - SST	12
7	AU11JR241	Washer, Lock, 3/8 - SST	13
8	34-01151-08	Washer, Flat, M8 - SST	4
9	34-01153-15	Screw, Cap Hex Head, 8mm x 15mm - SST	6
10	66U1-5321-11	Washer, Plain, 1/2 N Type A	1
11	48-00217-04	Bracket, Idler	1
12	48-00058-31	Pulley, Idler, Eccentric Includes:	1
13	48-00058-04	Eccentric	1
14	48-00058-05	Spacer	1
15	48-00058-01	Pulley Assembly - Includes:	1
16	04-00018-00	Bearing	1
17	NSS	Retaining Ring	1
18	48-00058-02	Bolt, Shoulder	1
19	34-00792-28	Screw, Cap Hex Head, 5/16-18 x 3.50 Lg. - SS	1
20	66U1-5331-3	Washer, Lock, 5/16 - SST	1
21	66U1-5321-4	Washer, Flat, 5/16 - SST	1

3.c Generator - Main Alternator

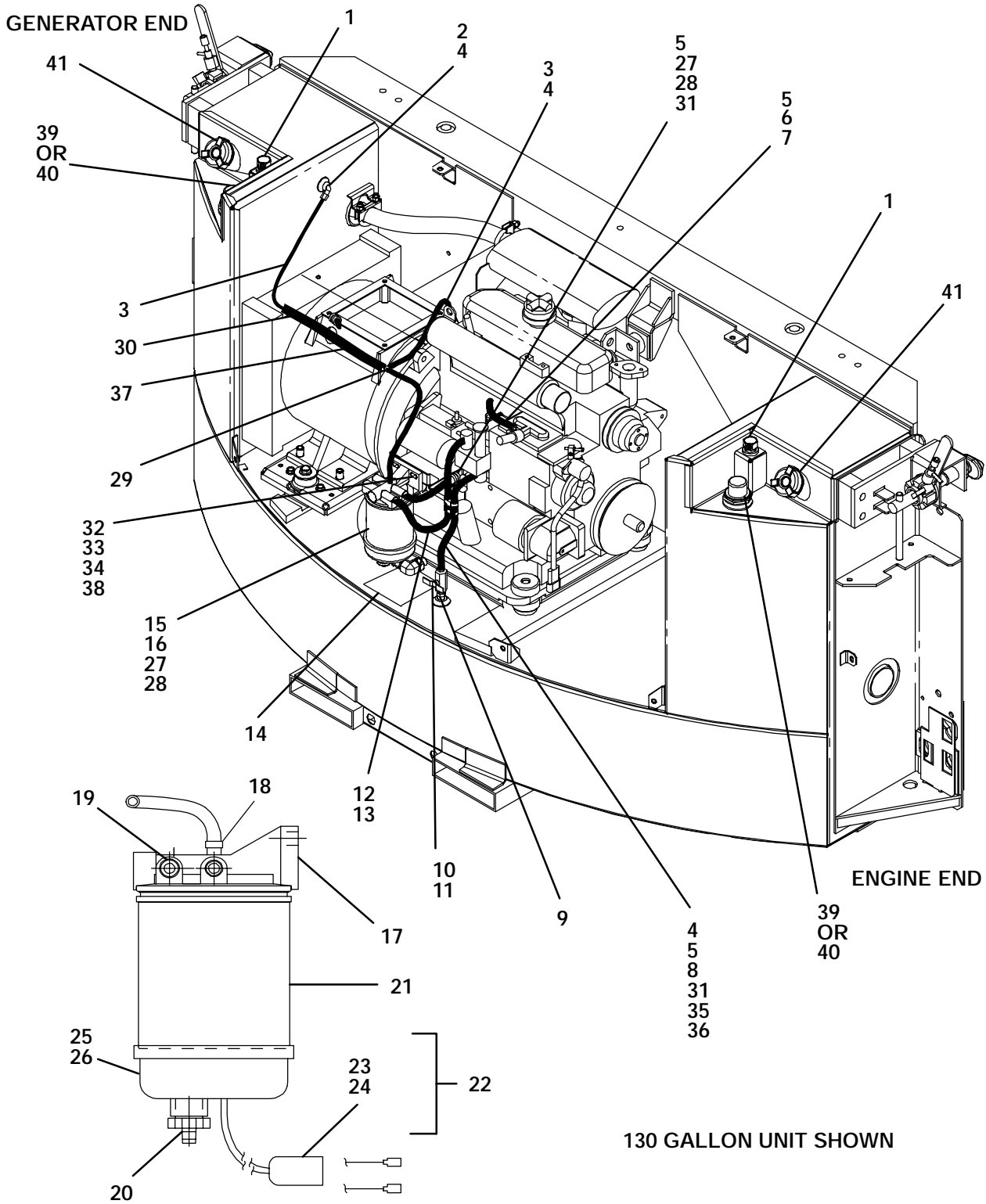


### 3.c Generator - Main Alternator

Item	Part Number	Description	Qty
1	54-00576-04	Generator, 15 KW - Includes:	1
2	22-50206-00	Rectifier Assembly - Includes:	1
3	22-50207-00	Diode Assembly, Forward (With Red Stud) <b>(NSS)</b>	1
4	22-50208-00	Diode Assembly, Reverse (With Black Stud) <b>(NSS)</b>	1
5	76-50110-00	Bearing Kit - Includes:	1
6	04-50012-00	Bearing	1
7	54-50034-01	O-Ring	1
8	54-50064-00	Fan, Two-Piece - <b>Balance As An Assembly</b>	1
	54-50084-00	Fan, One-Piece, Die Cast	1
9	54-50039-00	End Cover	1
10	54-50082-00	Air Baffle	1
11	34-00655-04	Bolt, Hex Head, 1/4-20 x 1/2 Lg - SST	2
12	68-12166-00	Side Cover	1
13	AU11JR171	Washer, Lock, 1/4-20 - Steel Plated	10
14	34-00662-11	Washer, Flat, 1/4- SST	10
15	76-50115-00	Plate, Flex (Drive Disc)	2
16	54-50036-01	Disc, Steel Spacer	1
17	54-50036-02	Disc, Pilot	2
18	PL	Bolt, Hex Head Socket, 3/8-24 x 1-1/4 Lg - SST	6
19	PL	Washer, Belleville - 3/8	6
20	34-00655-06	Bolt, Hex Head, 1/4-20 x 3/4 Lg - SST	4
21	66U1-5321-3	Washer, Flat 1/4 - SST	4
22	54-50085-00	Terminal Block	1
23	02-00083-00	Anti-Corrosion Coating	A/R
24	42-00348-00	Gasket	1

# 4 FUEL SYSTEM

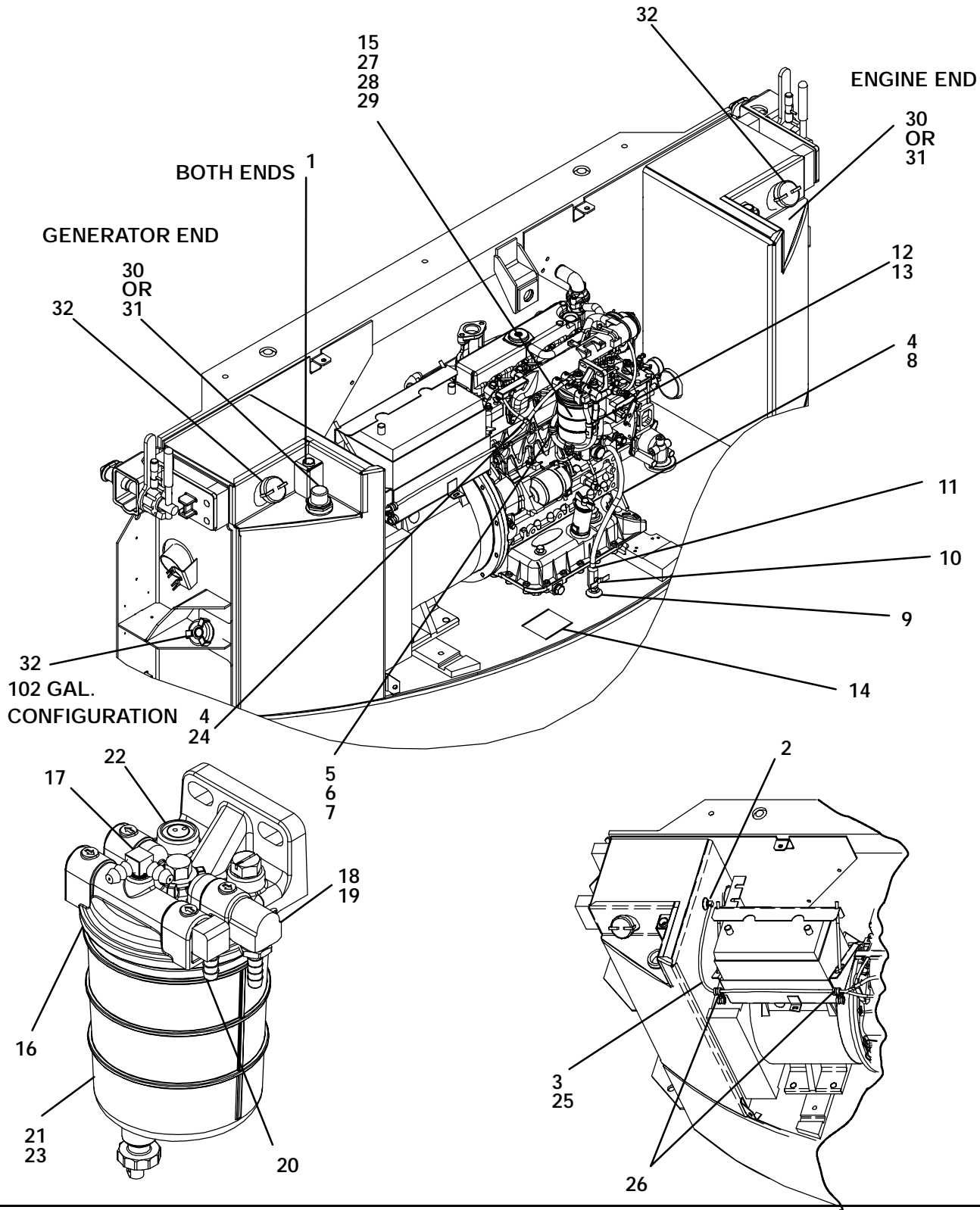
## 4.a Fuel System



4.a Fuel System			
Item	Part Number	Description	Qty
1	65-00131-02	Vent, Fuel Tank	2
2	40-00213-00	Elbow, Compression, Fuel	1
3	58-00659-00	Hose, Fuel, 3/16	A/R
4	44-00045-25	Clamp, Hose, 0.22-0.62	12
5	44-00102-52	Clamp, Hose, 0.56 Diameter	3
6	34-01145-07	Nut, Hex, M10 - SST	1
7	34-01146-10	Washer, Lock, M10 - SST	1
8	58-00658-00	Hose, Fuel 5/16 I.D.	A/R
9	69GC15-172-2	Connector Assembly	1
10	40-00469-00	Valve, Fuel Shut-off	1
11	40-00420-01	Fitting, Barb, 5/16 I.D. x 1/4 MPT	1
12	44-00317-00	Clip	1
13	44-00317-01	Spacer	1
14	69GC15-3212	Label, Fuel Shut-off	1
15	86-04184-00	Bracket, Filter Assembly Mounting	1
16	30-01098-05	Filter Assembly, Fuel - Includes:	1
17	30-01104-50	Head Assembly with Fittings - Includes:	1
18	30-01098-41	Fitting, Bleed without .040 Diameter Orifice	1
19	30-01098-42	Fitting, Barb, 5/16 Hose	2
20	30-01098-07	Drain Plug Assembly	1
21	30-01079-01	Element, Filter	1
22	30-01098-37	Bowl Assembly - Includes:	1
23	-	Connector, Female	1
24	30-01098-29	Heater - Includes:	1
25	30-01098-38	Bowl - Includes:	1
26	30-01098-28	Gasket	1
27	34-00655-10	Screw, Cap Hex Head, 1/4-20 x 1.25 Lg. - SST	3
28	34-00662-11	Washer, Flat, 1/4 - SST	3
29	40-01156-00	Tee, Male Branch	1
30	58-00848-23	Tube, Slit 1/2 I.D. X 8.00 Lg. - Nylon	1
31	AU11JR171	Washer, Lock, 1/4	3
32	34-00368-15	Washer, Lock, M12 - SST	3
33	34-01151-12	Washer, Flat, M12 - SST	3
34	34-01155-25	Screw, Cap Hex Head, M12 x 25MM - SST	3
35	34-00667-11	Nut, Self Lock, 1/4-20 - SST	1
36	34-00655-08	Screw, Cap Hex Head, 1/4-20 x 1.00 Lg. - SST	1
37	44-00102-50	Clamp, Hose, .44 Diameter Support - SST	3
38	69NT35-2692-1	Washer, Fender, 1/4 0.993-1.015 O.D. - SST	2
39	12-01098-03	Gauge, Fuel (130 Gallon)	A/R
	12-01098-05	Gauge, Fuel (102 Gallon)	1
40	40-00172-08	Plug, Pipe, 1 1/2 NPT	A/R
41	44-00046-13	Cap, Fuel Tank	2



4.b Fuel System



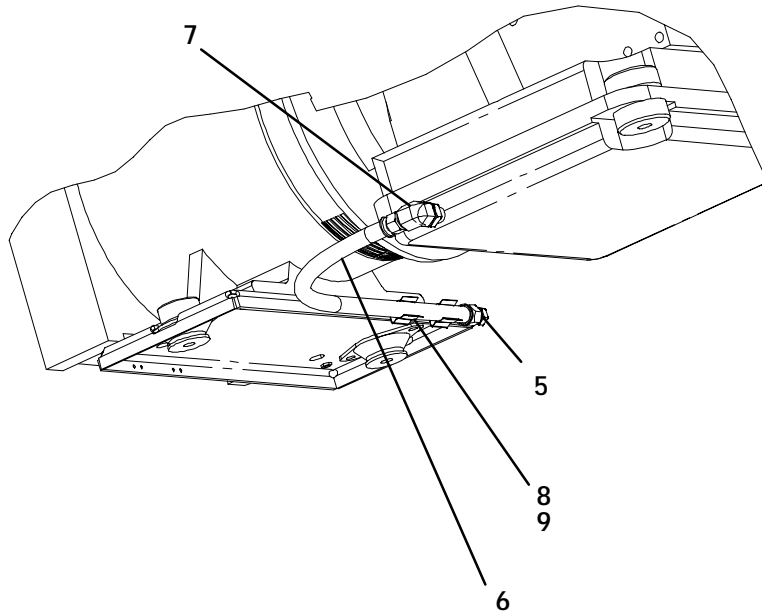
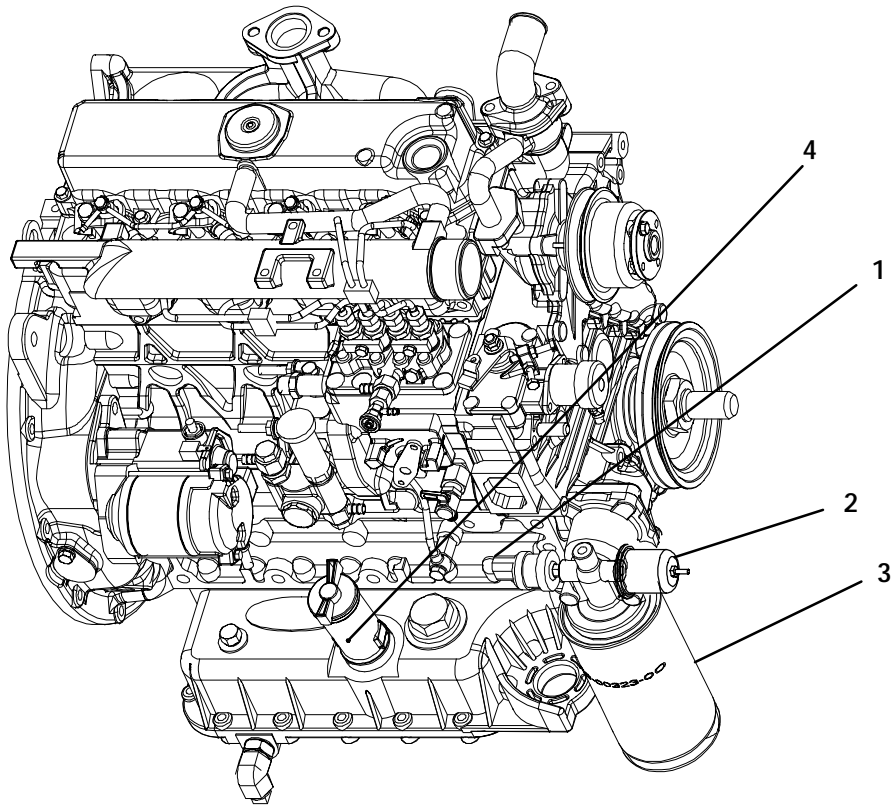
<b>4.b Fuel System - Common Parts</b>			
<b>Item</b>	<b>Part Number</b>	<b>Description</b>	<b>Qty</b>
1	65-00131-02	Vent, Fuel Tank	2
2	40-00213-00	Elbow, Compression, Fuel	1
3	58-00659-00	Hose, Fuel, 3/16	A/R
4	44-00045-25	Clamp, Hose, 0.22-0.62	A/R
5	44-00102-52	Clamp, Hose, 0.56 Diameter	1
6	34-01145-07	Nut, Hex, M10 - SST	1
7	34-01146-10	Washer, Lock, M10 - SST	1
8	58-00658-00	Hose, Fuel 5/16 I.D.	A/R
9	69GC15-172-2	Connector Assembly	1
10	40-00469-00	Valve, Fuel Shut-off	1
11	40-00420-01	Fitting, Barb, 5/16 I.D. x 1/4 MPT	1
12	44-00317-00	Clip	1
13	44-00317-01	Spacer	1
14	69GC15-3212	Label, Fuel Shut-off	1
15	30-01101-07	Filter Assembly, W/Heater - Includes:	1
16	30-01101-72	Insert, Head	1
17	30-01101-68	Fitting, Fuel Bleed	1
18	30-01101-69	Fitting, Straight, Male NPT To 5/16 HOSE	1
19	30-01101-70	Elbow, 90 Deg. Street, Male NPT To Female NPT	1
20	30-01101-71	Elbow, 90 Deg., Male NPT To 5/16 HOSE	1
21	30-01101-50	Element, Fuel Filter With O-Rings	1
22	30-01101-59	Heater	1
23	30-01101-73	Canister	1
24	40-01156-00	Tee, Male Branch	1
25	58-00848-33	Tube, Slit 1/2 I.D. X 8.00 Lg. - Nylon	A/R
26	44-00102-50	Clamp, Hose, .44 Diameter Support - SST	1
27	34-00792-10	Screw, Cap Hex Head, 5/16-18 x 1.25 Lg. - SST	2
28	34-00829-12	Washer, Plain, 5/16 SAE - SST	2
29	66U1-5331	Washer, Lock, 5/16 Spring - SST	2
30	12-01098-03	Gauge, Fuel (130 Gallon)	A/R
	12-01098-05	Gauge, Fuel (102 Gallon)	1
31	40-00172-08	Plug, Pipe, 1 1/2 NPT	A/R

<b>4.b.1 Fuel System - With Aluminum Cap</b>			
<b>Item</b>	<b>Part Number</b>	<b>Description</b>	<b>Qty</b>
32	44-00046-13	Cap Assembly, Fuel Tank, Aluminum	2

<b>4.b.2 Fuel System - With Brass Cap</b>			
<b>Item</b>	<b>Part Number</b>	<b>Description</b>	<b>Qty</b>
32	44-00046-12	Cap Assembly, Fuel Tank, Brass	2

5 OIL SYSTEM

5.a Oil System (Horizontal or Vertical - Vertical Shown)

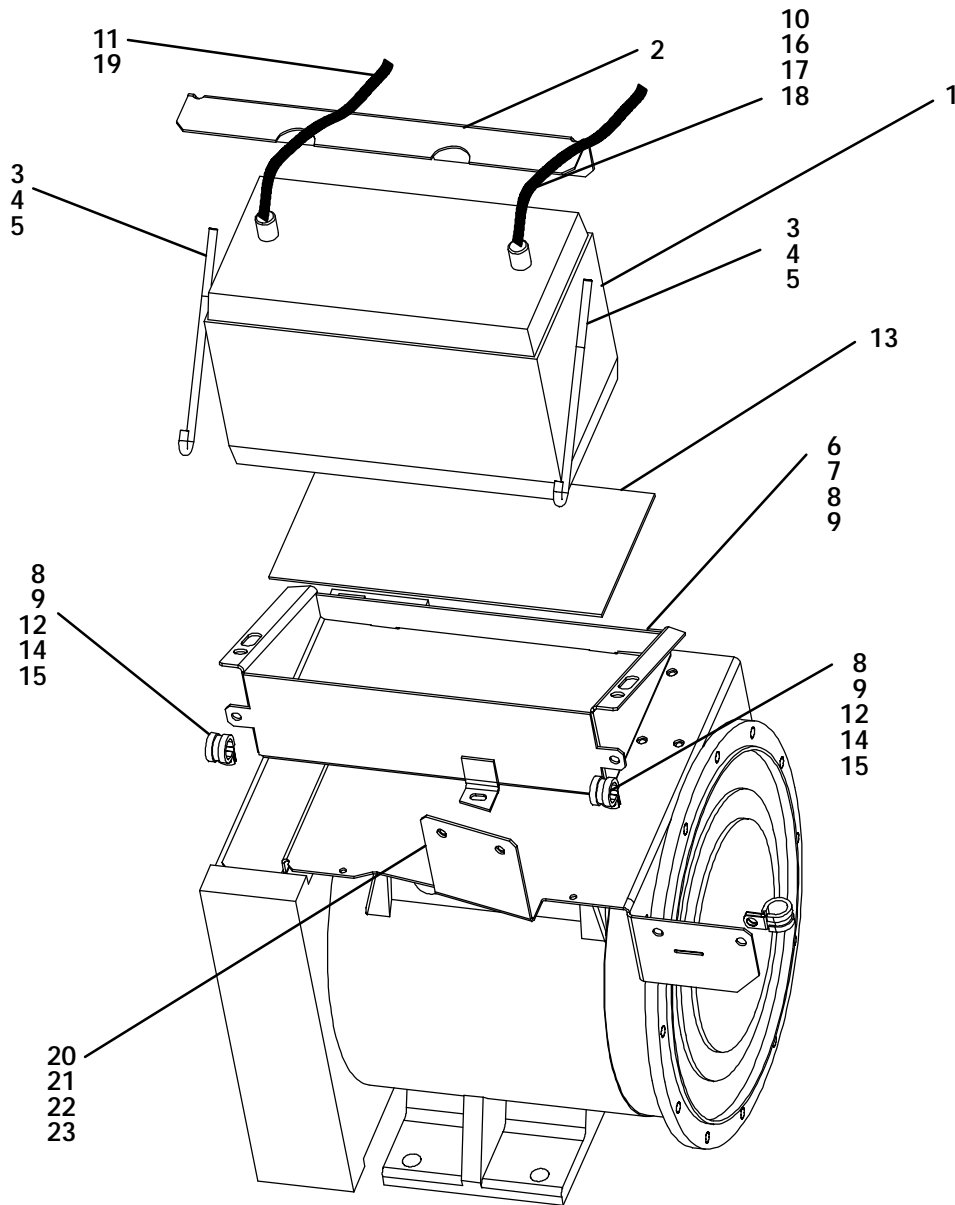


5.a Oil System (Horizontal or Vertical - Vertical Shown)			
Item	Part Number	Description	Qty
1	12-00310-01	Switch, Oil Pressure	1
2	66U1-2543-2	Sensor, Oil Pressure	1
3	30-00450-00	Filter, Oil - Full flow with Internal Bypass	1
	30-00463-00	Filter, Oil - Full flow Extended Life with Internal Bypass ( <b>See note</b> )	1
4	62-02176-00	Label, Lube	1
5	40-00043-05	Plug	1
6	66CH1-123-99	Hose Assembly	1
7	40-00566-00	Elbow, 90_ Street - Brass	1
8	44-00094-09	Clip, Spring	A/R
9	34-00928-03	Rivet, 1/8 Diameter, Grip Range - 3/16- 1/4	A/R

**NOTE:** This filter is intended for use with engines Serial Number 2Y2853 and higher. Engines below that number may use the full flow extended life filter (CTD P/N 30-00463-00) when used in conjunction with an oil filter adapter nipple (CTD P/N 25-39321-00).

6 BATTERY

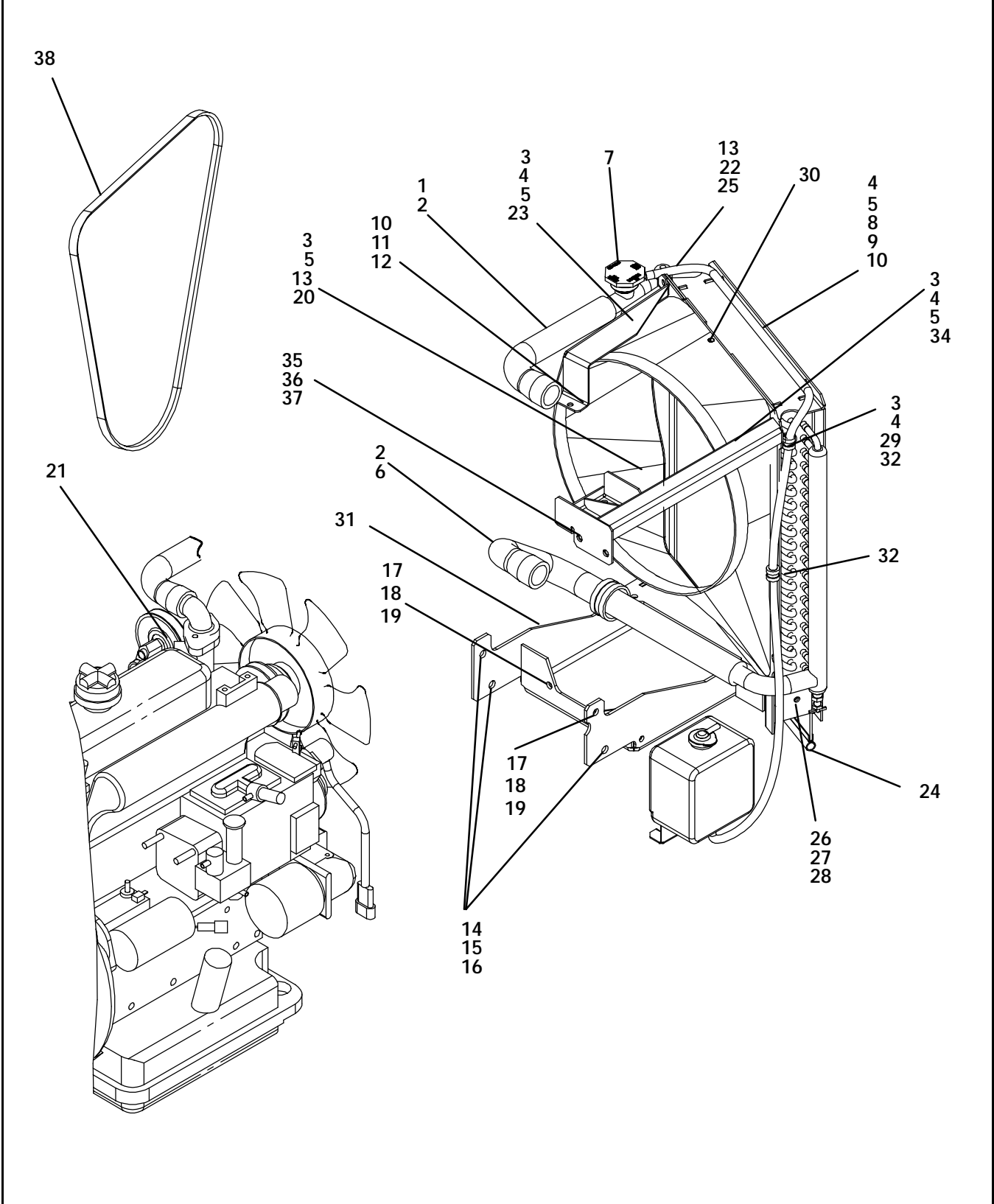
6.a Battery - Post Type



6.a Battery - Post Type			
Item	Part Number	Description	Qty
1	-	Battery, 12 VDC, Reserve capacity in minutes - 25 amps at 80F (+26.7_C) = 180 minutes Cold crank amps at 0_F (-17.8_C) = 625 amps	1
2	68-13946-00	Bracket, Battery	1
3	34-00667-12	Nut, Self Locking, 5/16-18 - SST	2
4	66U1-5321-4	Washer, Plain, 5/16 - SST	2
5	34-06247-00	Bolt, Battery Hold Down	2
6	86-04445-01	Box Assembly, Battery	1
7	66U1-5361-25	Screw, Cap Hex Head, 1/4-20 x 0.75 Lg. - SST	3
8	AU11JR171	Washer, Lock, 1/4 - SST	3
9	66U1-5321-3	Washer, Flat, 1/4 - SST	3
10	34-00372-44	Washer, Lock, 7/16 - SST - Located on Engine/Negative Battery Cable	1
11	34-06134-07	Nut, Hex, M10 x 1.25 - SST - Located on Engine/Negative Battery Cable	1
12	44-00102-01	Clamp, Hose, 1/2 Diameter - SST	2
13	58-04503-00	Mat	2
14	34-00655-08	Screw, Cap Hex Head, 1/4-20 x 1.00 Lg. - SST	2
15	34-00666-11	Nut, Hex, 1/4-20	2
16	34-01153-15	Screw, Cap Hex Head, 8mm X 15mm - SST	1
17	34-01151-08	Washer, Flat, M8	1
18	22-01633-20	Battery Cable (Negative) <b>Prior To RG0337</b>	1
	22-01633-21	Battery Cable (Negative) <b>Starting with RG0337</b>	1
19	22-01576-31	Battery Cable (Positive)	1
20	86-04185-00	Channel Assembly	1
21	34-00829-13	Washer, Flat, 3/8 - SST	5
22	AU11JR241	Washer, Lock, 3/8 - SST	1
23	34-00807-08	Screw, Hex Head, 3/8-16 x 1.00 Lg. - SST	1

# 7 COOLANT SYSTEM

## 7.a Coolant System - Common Parts



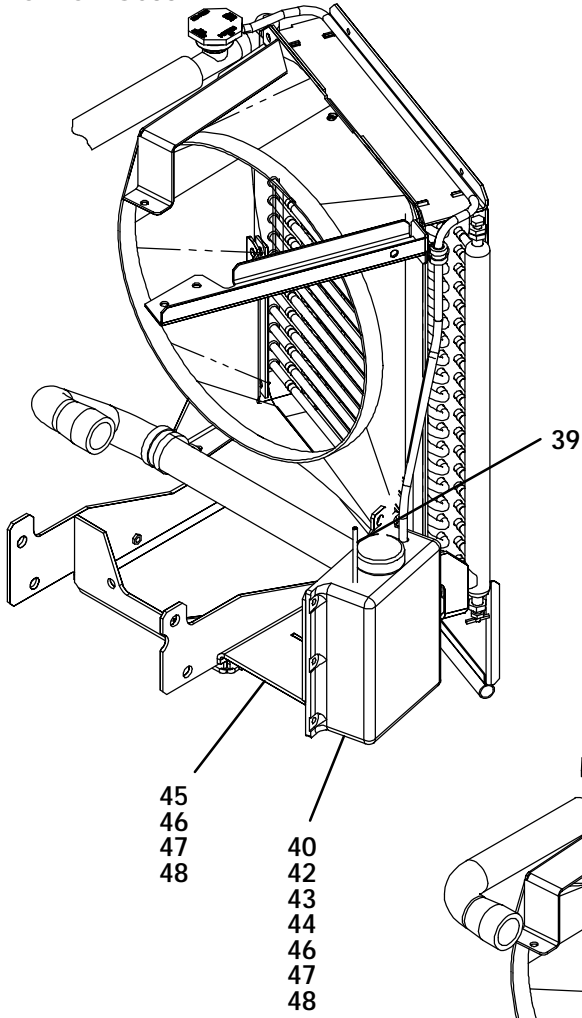
7.a Coolant System - Common Parts			
Item	Part Number	Description	Qty
1	58-04267-00	Hose	1
2	KA69JM824	Clamp, Hose, 1 9/16-2 1/2 - SST	4
3	66U1-5361-14	Bolt, Machine Hex Head, 1/4-20 x 0.88 Lg. - SST	A/R
4	66U1-5321-7	Washer, Flat, 1/4 - SST	A/R
5	AU11JR171	Washer, Lock, 1/4 - SST	A/R
6	58-04268-00	Hose	A/R
7	30-00397-00	Cap, Radiator	1
8	81-01420-00SV	Radiator Assembly - <b>Prior To RG0257 - See Note - Includes:</b>	1
	81-01540-00	Radiator Assembly - Includes:	1
9	40-00117-01	Drain, Cock, 1/4 NPT - Brass	1
10	66U1-5361-25	Bolt, Machine Hex Head, 1/4-20 x 0.75 Lg. - SST	A/R
11	58-04266-00	Venturi	1
12	69NT35-2692-1	Washer, Fender, 1/4 - SST (NSI0)	5
13	58-04184-00	Hose, 1/4 I.D. (20 feet, Cut To Length)	A/R
14	34-01155-25	Screw, Cap Hex Head, M12 x 25MM Lg - SST	3
15	34-01151-12	Washer, Flat, M12 - SST (NSI)	3
16	34-00368-15	Washer, Lock, M12, Spring - SST	3
17	34-01154-25	Screw, Cap Hex Head, M10 x 25MM Lg. - SST	3
18	34-01151-10	Washer, Flat, M10 - SST	3
19	34-01146-10	Washer, Lock, M10 - SST	3
20	44-00102-61	Clamp, Hose, 1.56 Diameter	1
21	10-00158-02	Switch, Safety	1
22	58-04316-00	Base, Clamp Mounting	2
23	86-04296-00	Support	1
24	42-00264-09	Seal	A/R
25	44-00388-00	Clamp, Hose, Compression - SST	1
26	66U1-5361-39	Screw, Cap Hex Hd., 5/16-18 X 1.00 Lg - SST	5
27	34-00663-12	Washer, Plain, 5/16 N Type A - SST	5
28	66U1-5321-4	Washer, Lock, 5/16 Spring - SST	5
29	34-00666-11	Nut, Hex, 1/4-20 - SST	1
30	34-00831-08	Screw, Mach Thd, 1/4-20 X .50 Lg. - SST	1
31	86-04288-01	Support Assy	1
32	44-00102-51	Clamp	2
33	66U1-5361-6	Screw, Cap Hex Hd., 5/16-18 X .75 Lg - SST	2
34	86-04180-00	Bracket Assy, Radiator/Filter - <b>Prior To RG0459</b>	1
	86-04360-00	Bracket Assy, Radiator/Filter - <b>RG0459 Thru RG0596</b>	1
	86-04448-00	Bracket Assy, Radiator/Filter - <b>Starting With RG0691</b>	1
35	34-01151-08	Washer, Flat, M10 - SST	2
36	34-60095-29	Washer, Lock, M10 - SST	2
37	34-01153-82	Bolt, Hex, M8 X 15 MM Lg. - SST	2
38	50-00162-04	V-Belt ( <b>For Engines With Alternator See 10.b</b> )	1

**NOTE 1:** When replacing 81-01420-00 Radiator Assembly, use 74-50080-00 Radiator Assembly and Support Kit.

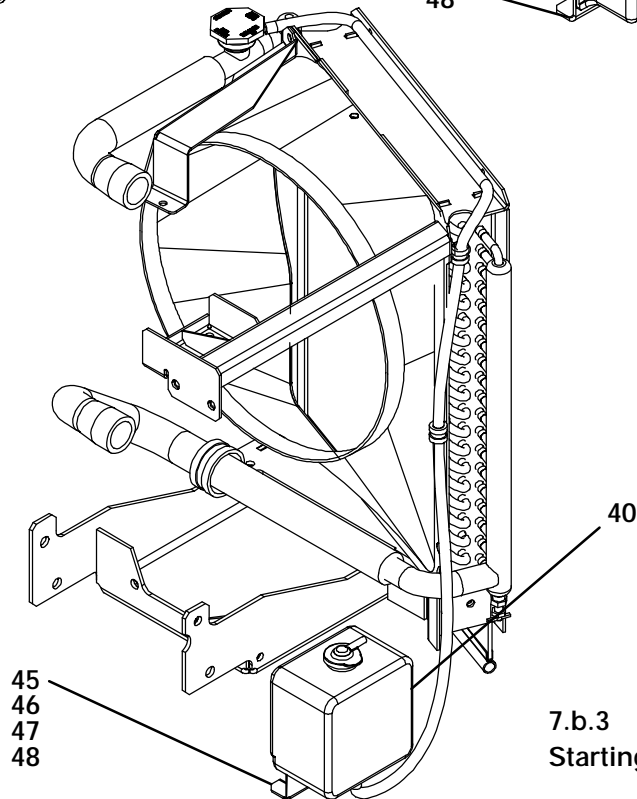
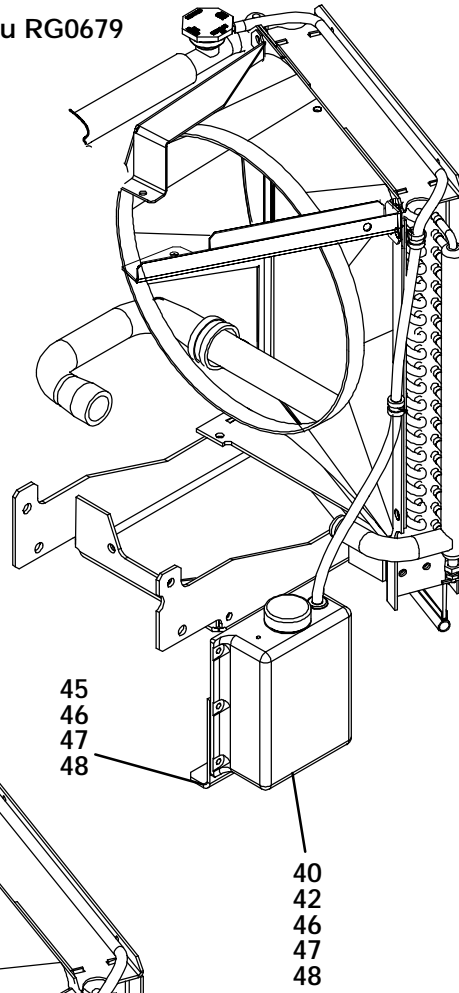


**7.b Coolant System - Specific Parts**

**7.b.1**  
Prior To RG0337



**7.b.2**  
RG0338 Thru RG0679



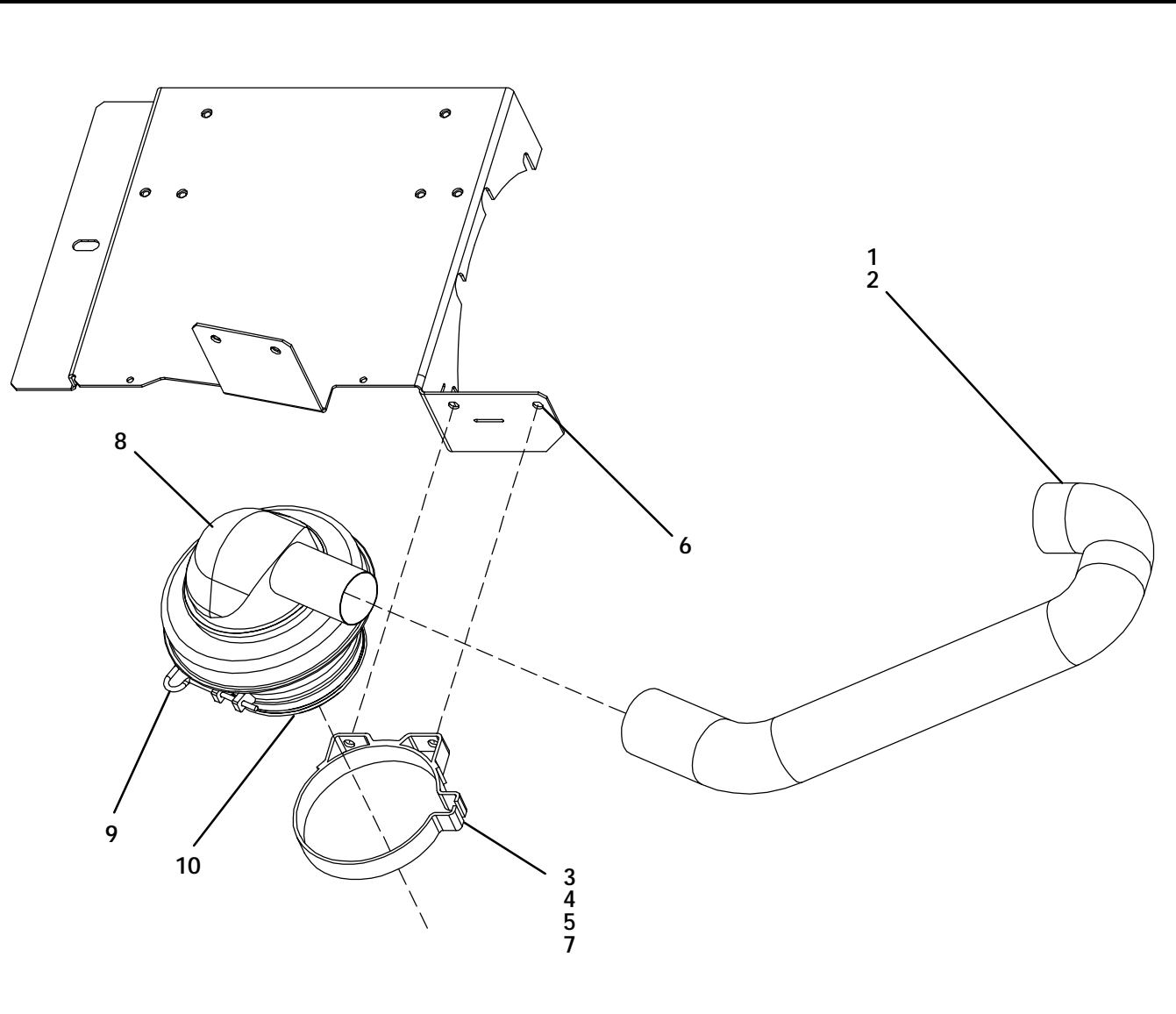
<b>7.b.1 Coolant System - Prior To RG0337</b>			
<b>Item</b>	<b>Part Number</b>	<b>Description</b>	<b>Qty</b>
39	22-00398-00	Tube, Formed	1
40	76-00382-00	Bottle, Coolant	1
41	76-00382-00	Bottle, Coolant	1
42	58-00743-00	Cap, Coolant Bottle	1
43	42-00370-00	Gasket	1
44	22-02319-03	Connector	1
45	86-04191-00	Bracket Assembly	1
46	66U1-5361-25	Bolt, Machine Hex Head, 1/4-20 x 0.75 Lg. - SST	A/R
47	66U1-5321-7	Washer, Flat, 1/4 - SST	A/R
48	AU11JR171	Washer, Lock, 1/4 - SST	A/R

<b>7.b.2 Coolant System -RG0338 Thru RG0679</b>			
<b>Item</b>	<b>Part Number</b>	<b>Description</b>	<b>Qty</b>
40	79-01701-00	Bottle, Coolant - Includes:	1
41	58-00735-01	Bottle, Coolant	1
42	58-00065-28	Grommet	1
42	58-00743-00	Cap, Coolant Bottle	1
45	68-12950-00	Bracket Assembly	1
46	66U1-5361-25	Bolt, Machine Hex Head, 1/4-20 x 0.75 Lg. - SST	A/R
47	66U1-5321-7	Washer, Flat, 1/4 - SST	A/R
48	AU11JR171	Washer, Lock, 1/4 - SST	A/R

<b>7.b.3 Coolant System - Starting With RG0691</b>			
<b>Item</b>	<b>Part Number</b>	<b>Description</b>	<b>Qty</b>
40	30-00455-00	Bottle, Coolant	1
45	86-04470-00	Bracket Assembly	1
46	66U1-5361-39	Screw, Cap Hex Hd., 5/16-18 X 1.00 Lg - SST	5
47	34-00663-12	Washer, Plain, 5/16 N Type A - SST	5
48	66U1-5321-4	Washer, Lock, 5/16 Spring - SST	5

**8 OIL BATH AIR FILTER**

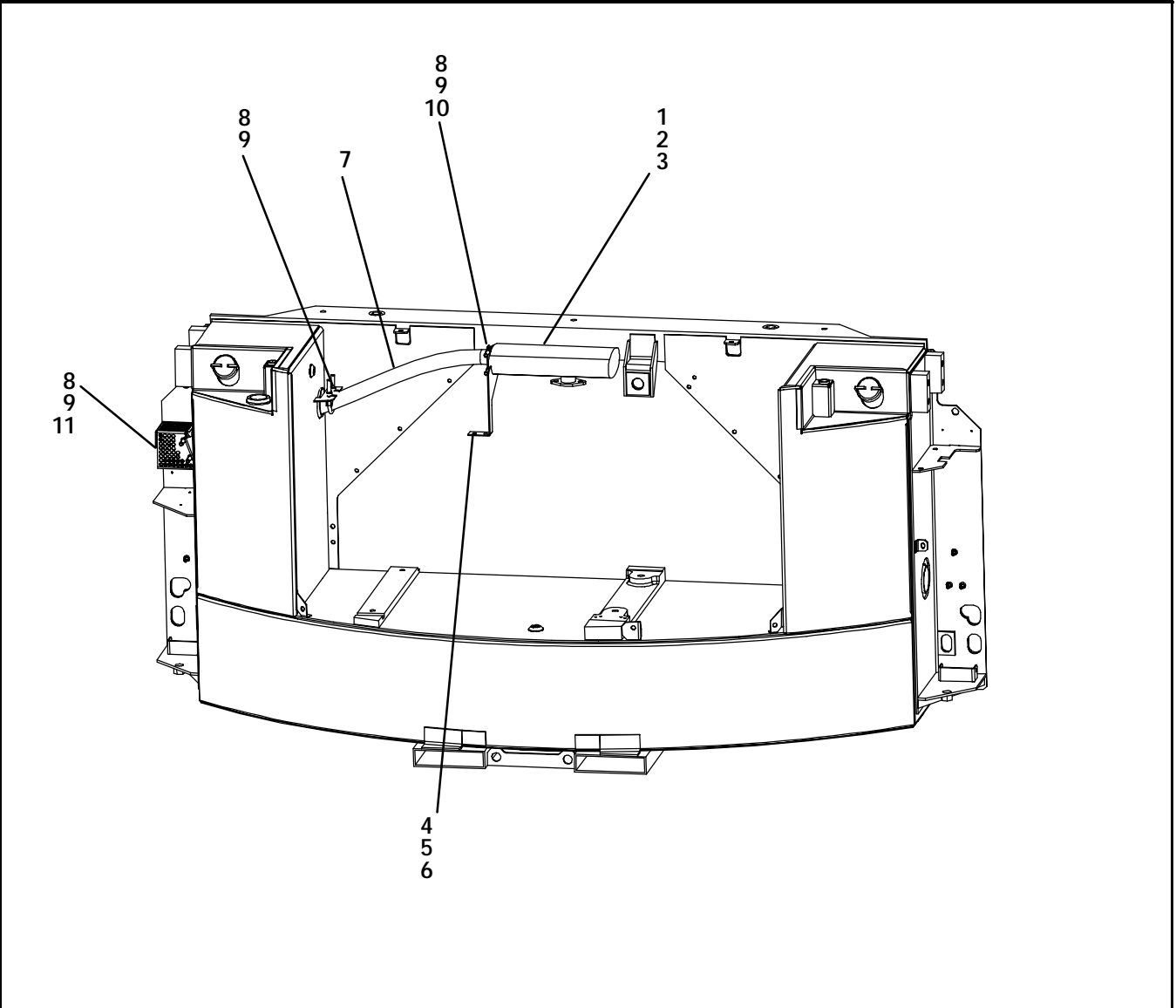
**8.a Oil Bath Air Filter - 65 CFM**



Item	Part Number	Description	Qty
1	58-04493-00	Hose, Air Inlet	1
2	KA69JM840	Clamp, Hose, 2.06-3.00 - SS	2
3	66U1-5371-8	Screw, Machine Hex Head, 1/4-20 x 1.00 lg. - SST	2
4	AU11JR171	Washer, Lock, 1/4 - SST	2
5	66U1-5321-3	Washer, Flat, 1/4 - SST	2
6	34-06051-37	Rivnut, 1/4-20 - Brass	2
7	44-00022-02	Clamp Assembly, Air Cleaner	1
8	30-00425-00	Air Cleaner - Includes:	1
9	30-00336-20	Clamp Assembly, Cup	1
10	30-00425-21	Cup Assembly	1

## 9 EXHAUST SYSTEM

### 9.a Exhaust System - Aluminized Steel With and Without Guard



#### 9.a Aluminized Steel With And Without Guard - Common Parts

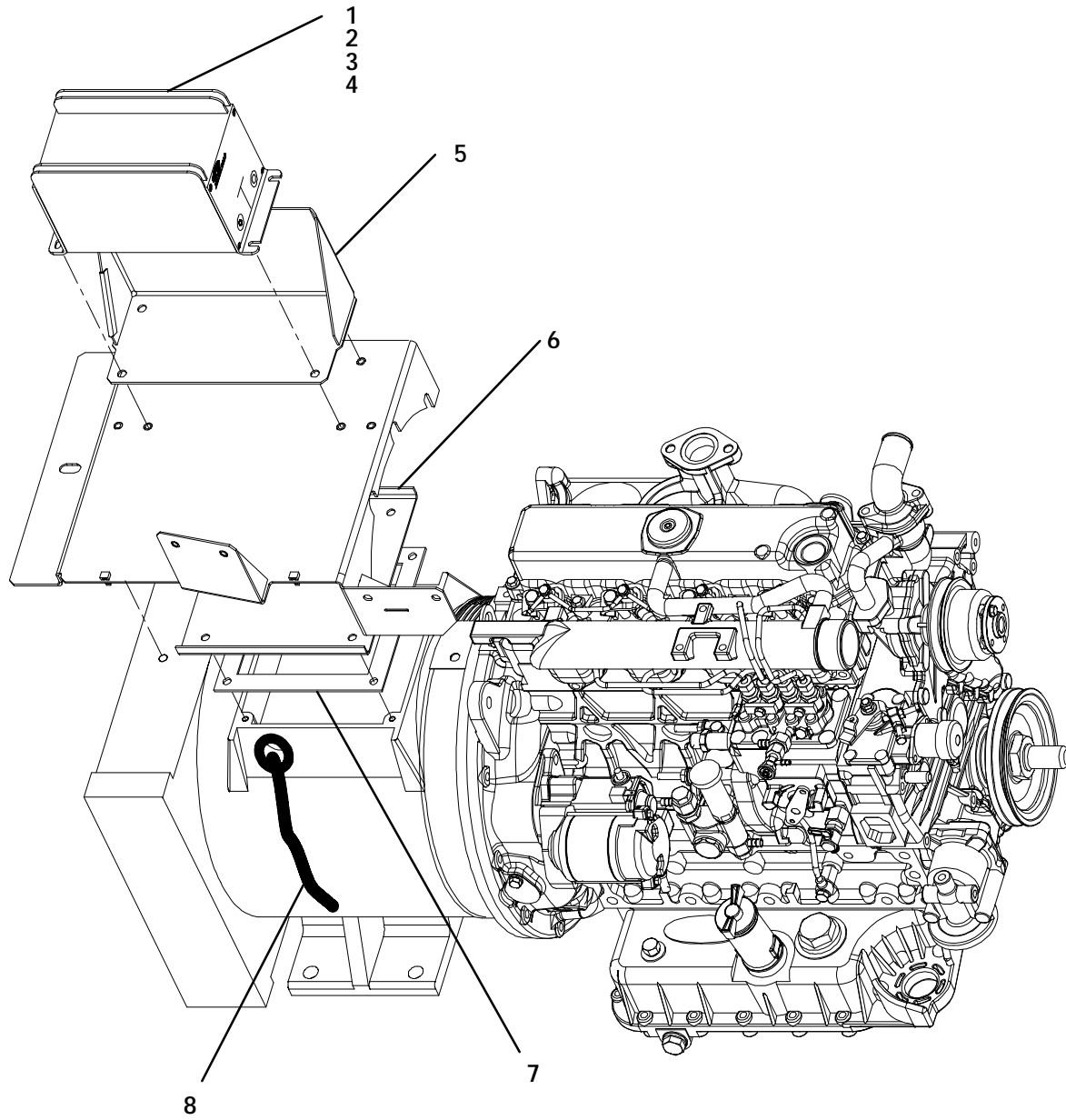
Item	Part Number	Description	Qty
1	30-00424-00	Muffler	1
2	34-00964-00	Stud, M10 x 3/8-24 x 1.50 Lg.	2
3	34-00932-13	Nut, Jam, 3/8-24	4
4	34-01153-15	Screw, Cap Hex Head, M8 x 15 MM Lg. - SST	2
5	34-60095-29	Washer, Lock, M8 - SST	2
6	34-01151-08	Washer, Flat, M8 - SST	2
7	30-00435-01	Pipe, Flexible	1
8	30-00427-00	Clamp, U-Bolt, 3/8-16 x 1.50 Diameter	3
9	AU11JR241	Washer, Lock, 3/8 - SST	6
10	66U1-5321-5	Washer, Flat, 3/8 - SST	2

#### 9.a.1 Exhaust System With Guard

Item	Part Number	Description	Qty
11	68-12838-00	Guard, Exhaust	1

10 BATTERY CHARGER

10.a Battery Charger - Solid State



<b>10.a Battery Charger - Solid State - Common Parts</b>			
<b>Item</b>	<b>Part Number</b>	<b>Description</b>	<b>Qty</b>
1	30-00416-07	Battery Charger with Connectors	1
2	34-06014-12	Screw, Cap Socket Head, 1/4-2- x 0.75 Lg. - SST	4
3	AU11JR171	Washer, Lock, 1/4 - SST	4
4	66U1-1321-8	Washer, Flat, 1/4 - SST	4
5	86-04197-00	Baffle	1
6	68-12132-00	Plate, Terminal Access	1
7	-	Gasket, Terminal Access - See Section 3.c	1

<b>10.a.1 Battery Charger - Solid State - Harness</b>			
<b>Item</b>	<b>Part Number</b>	<b>Description</b>	<b>Qty</b>
8	22-01761-00	Harness, Battery Charger	1

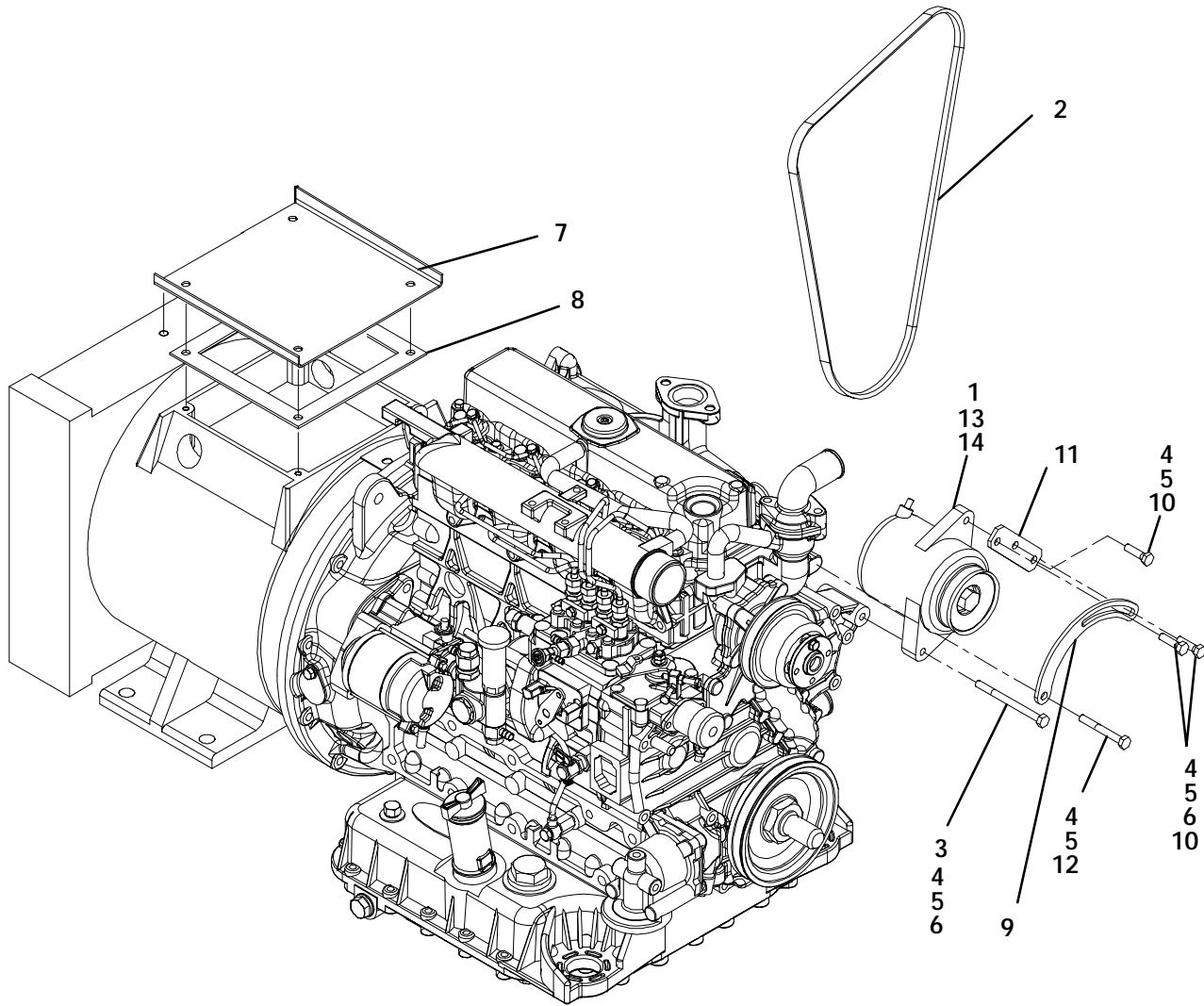
<b>10.a.2 Battery Charger - Solid State - Harness</b>			
<b>Item</b>	<b>Part Number</b>	<b>Description</b>	<b>Qty</b>
8	22-01761-01	Harness, Battery Charger	1

<b>10.a.3 Battery Charger - Solid State - Harness</b>			
<b>Item</b>	<b>Part Number</b>	<b>Description</b>	<b>Qty</b>
8	22-01790-00	Harness, Battery Charger	1

<b>10.a.4 Battery Charger - Solid State - Harness</b>			
<b>Item</b>	<b>Part Number</b>	<b>Description</b>	<b>Qty</b>
8	22-01790-01	Harness, Battery Charger	1

<b>10.a.5 Battery Charger - Solid State - Harness</b>			
<b>Item</b>	<b>Part Number</b>	<b>Description</b>	<b>Qty</b>
8	22-01790-02	Harness, Battery Charger	1

10.b Battery Charger - Alternator

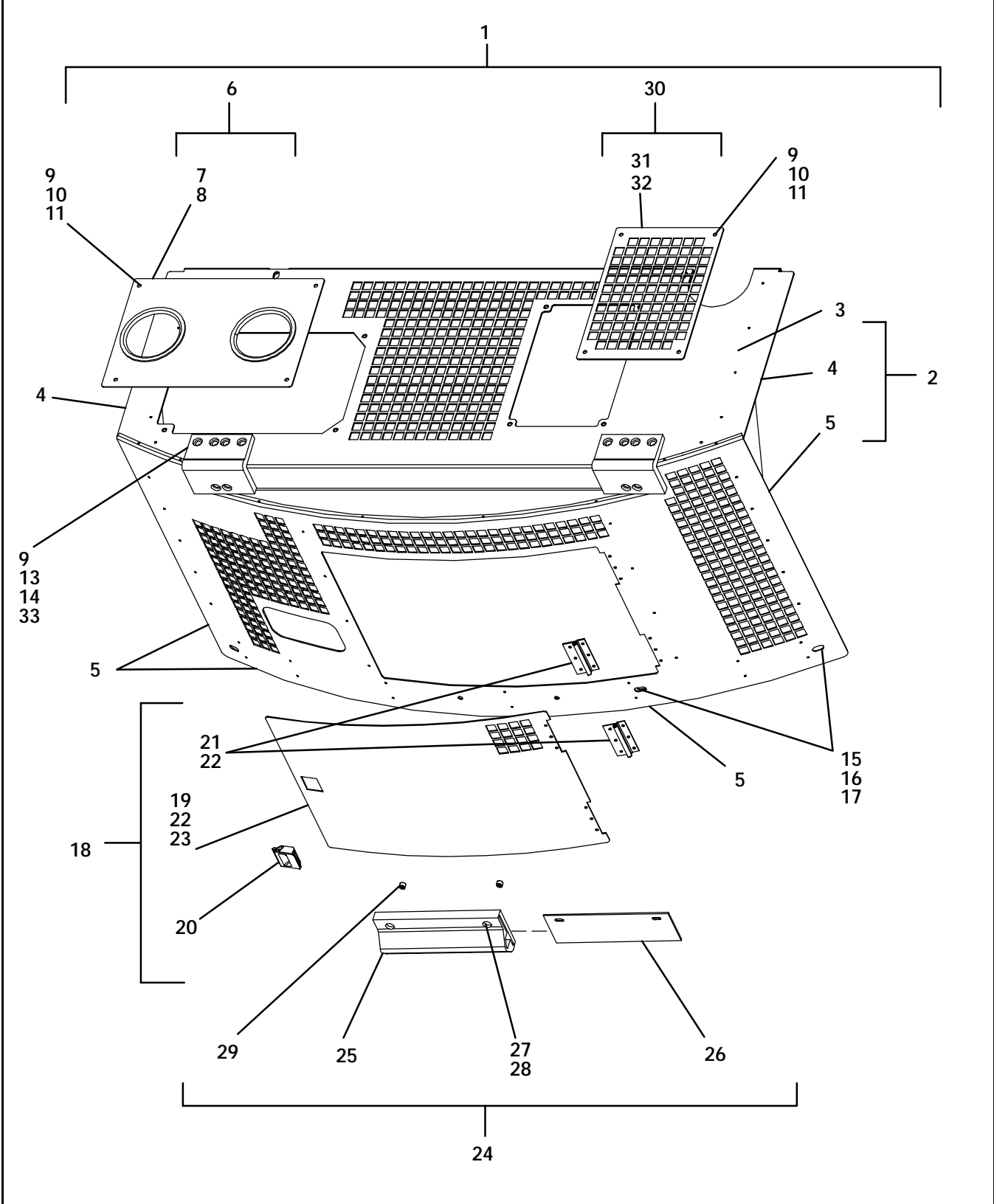


<b>10.b Battery Charger - Alternator</b>			
<b>Item</b>	<b>Part Number</b>	<b>Description</b>	<b>Qty</b>
1	30-00449-00	Alternator, 45 Amp	1
2	50-00162-17	V-Belt <b>(For Engines W/O Alternator See 3.b)</b>	1
3	34-01153-100	Screw, Cap Hex Head, M8 X 100mm - SST	1
4	34-60095-29	Washer, Lock, M8 Spring - SST	5
5	34-01151-08	Washer, Flat, M8 - SST	8
6	34-00946-58	Nut, Hex, M8	3
7	68-12132-00	Plate, Terminal Access	1
8	-	Gasket, Terminal Access - <b>See Section 3.c</b>	1
9	68-13721-01	Bracket, Alternator	1
10	30-01153-30	Screw, Cap Hex Head, M8 X 30mm - SST	3
11	68-13733-00	Bracket, Alternator	1
12	30-01153-70	Screw, Cap Hex Head, M8 X 70mm - SST	1
13	34-00946-56	Nut, Hex, M6	1
14	34-00372-41	Washer, Lock, 1/4	1



11 SKINS OPTION

11.a Skins Option - Latched Door With Access Panels And Bumpers



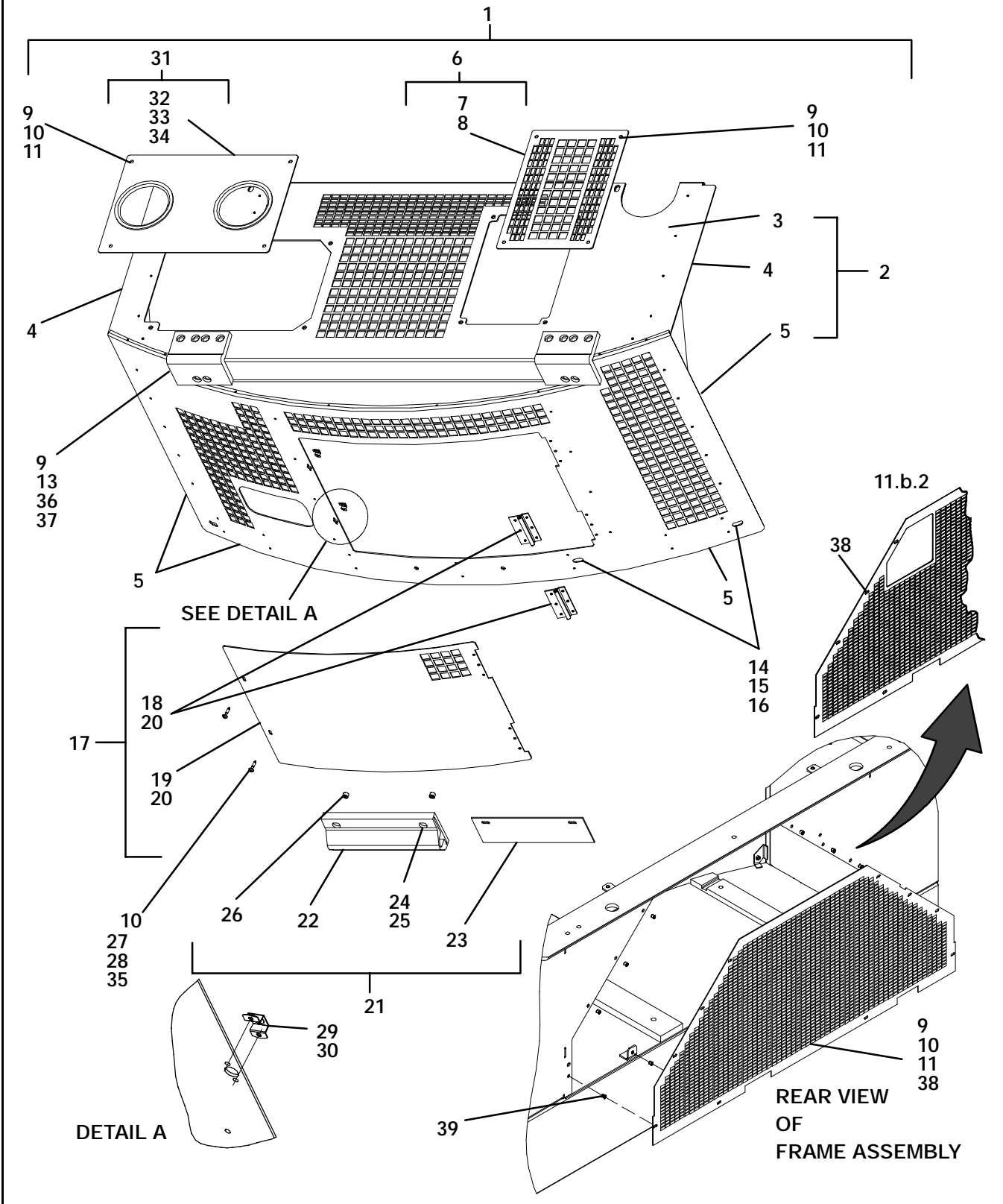
11.a Skins Option - Latched Door With Access Panels And Bumpers			
Item	Part Number	Description	Qty
1	77-00603-06	Cover Assy - Includes:	1
2	86-04169-01SV	Cover - Includes: - <b>RG0116 - See NOTE 1</b>	1
3	86-04169-01	Cover - <b>See NOTE 2</b>	1
4	42-00363-00	Gasket	2
5	42-00363-01	Gasket	4
6	79-01673-00SV	Cover, Plate, Battery - Includes:	1
7	79-01673-00	Cover, Plate, Battery - <b>See NOTE 2</b>	1
8	42-00363-04	Gasket	4
9	66U1-5361-25	Screw, Cap Hex Head, 1/4-20 x 0.75 Lg. - SST	A/R
10	66U1-5321-3	Washer, Flat, 1/4 - SST	A/R
11	AU11JR171	Washer, Lock, 1/4 - SST	A/R
12	34-00655-08	Bolt, Machine, 1/4-20 x 2.00 Lg. - SST	2
13	34-00588-11	Washer, Flat, 1/4 SAE	8
14	58-04433-00	Bumper	2
15	34-01264-12	Washer, Flat, 5/16 - SST	5
16	34-00663-12	Washer, Lock, 5/16 - SST	5
17	66U1-5361-38	Bolt, Machine Hex Head, 5/16-18 x 1.50 Lg. - SST	5
18	79-01674-02	Door Assembly, Access - <b>See NOTES 2 And 3</b> - Includes:	1
19	NSS	Door, Access	1
20	44-00401-00	Latch	1
21	44-00352-00	Hinge	2
22	34-00928-13	Rivet, Blind, 3/16 Diameter, Grip Range - 1/8-1/4 - SST	12
23	66U1-2552-124	Gasket	2
24	76-50105-00	Bumper Kit - Includes:	1
25	58-04402-00	Bumper	1
26	68-13483-00	Plate	1
27	34-00655-08	Bolt, Machine, 1/4-20 x 2.00 Lg. - SST	2
28	66U1-5321-3	Washer, Flat, 1/4 - SST	2
29	34-01219-03	Spacer	2
30	68-12187-00SV	Cover, Plate, Fan Belt - Includes:	1
31	68-12187-00	Cover, Plate, Fan Belt - <b>See NOTE 2</b>	1
32	42-00363-03	Gasket	4
33	34-01219-03	Spacer	8

**NOTE 1:** No replacement parts for cover assy available for RG0116. Order entire cover assy.

**NOTE 2:** See page iv for painted parts color system.

**NOTE 3:** No replacement parts available for steel latch. Any Unit With Steel Latch Assy must order entire door assembly with new plastic latch design.

11.b Skins Option - Bolted Door

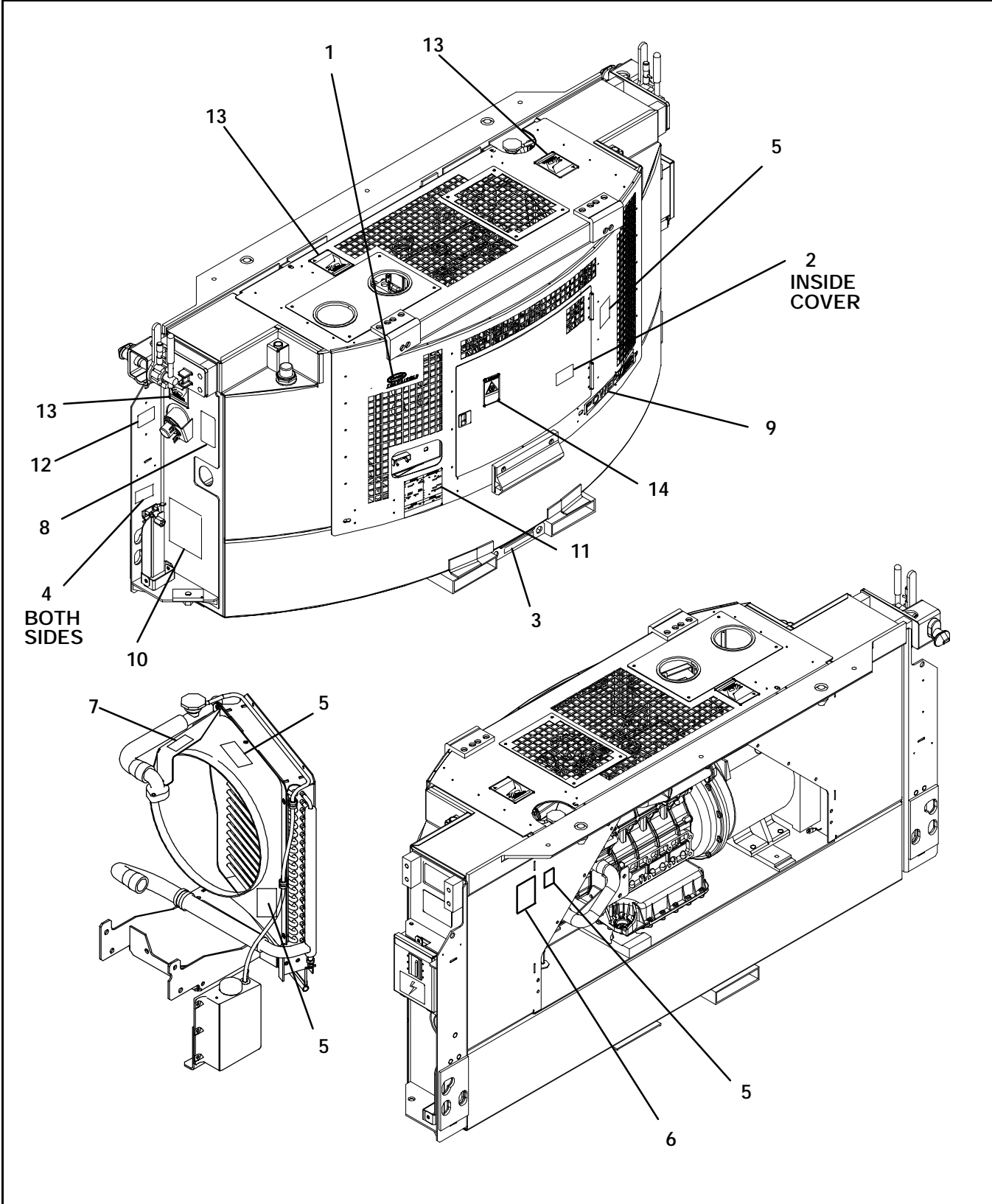


<b>11.b Skins Option - Common Parts</b>			
<b>Item</b>	<b>Part Number</b>	<b>Description</b>	<b>Qty</b>
1	77-00603-05	Cover Assy - Includes:	1
2	86-04169-04SV	Cover - Includes:	1
3	86-04169-04	Cover - <b>See NOTE</b>	1
4	42-00363-00	Gasket	2
5	42-00363-01	Gasket	4
6	68-12539-00SV	Cover, Plate, Fan Belt - Includes:	1
7	68-12539-00	Cover, Plate, Fan Belt - <b>See NOTE</b>	1
8	42-00486-00	Gasket	1
9	66U1-5361-25	Screw, Cap Hex Head, 1/4-20 x 0.75 Lg. - SST	A/R
10	66U1-5321-3	Washer, Flat, 1/4 - SST	A/R
11	AU11JR171	Washer, Lock, 1/4 - SST	A/R
12	34-00655-08	Screw, Cap Hex Head, 1/4-20 x 1.25 Lg. - SST	8
13	58-04433-00	Bumper	2
14	66U1-5361-38	Screw, Machine, 5/16-18 x 1.50 Lg. - SST	6
15	34-00663-12	Washer, Lock, 5/16 - SST	5
16	34-01264-12	Washer, Flat, 5/16 - SST	5
17	79-01741-00	Door Assembly, Access - <b>See NOTE</b> - Includes:	1
18	44-00352-00	Hinge	2
19	66U1-2552-124	Gasket	2
20	34-00928-13	Rivet, Blind, 3/16 Diameter, Grip Range - 1/8-1/4 - SST	12
21	76-50105-00	Bumper Kit - Includes:	1
22	58-04402-00	Bumper	1
23	68-13483-00	Plate	1
24	34-00655-08	Bolt, Machine, 1/4-20 x 2.00 Lg. - SST	2
25	66U1-5321-3	Washer, Flat, 1/4 - SST	2
26	34-01219-03	Spacer	2
27	66U1-6811-12	Screw, Retaining - SST	2
28	34-01226-00	Washer, Retaining - Nylon	2
29	34-01142-01	Receptacle, #12 Saddle Type - SST	2
30	34-00928-01	Rivet, Blind, .125 Diameter, Grip Range - 1/16-1/8 - SST	2
31	79-01673-00SV	Cover, Plate, Battery - Includes:	1
32	79-01673-00	Cover, Plate, Battery - Includes: - <b>See NOTE</b>	1
33	66CH1-1172-59	Flex-Trim, White	A/R
34	42-00486-01	Gasket	1
35	34-06053-03	Washer, .250 ID x 1.00 OD, Mylar	2
36	34-01219-03	Spacer	2
37	34-00588-11	Washer, Plain, 1/4 SAE	8
<b>11.b.1 Skins Option - Cover - Bolted Door with Back Grille</b>			
<b>Item</b>	<b>Part Number</b>	<b>Description</b>	<b>Qty</b>
38	68-12536-00	Cover - <b>See NOTE</b>	1
39	34-06051-07	Rivnut, 1/4-20	10
<b>11.b.2 Skins Option - Cover - Bolted Door with Notched Back Grille</b>			
<b>Item</b>	<b>Part Number</b>	<b>Description</b>	<b>Qty</b>
38	68-12536-01	Cover - <b>See NOTE</b>	1
39	34-06051-07	Rivnut, 1/4-20	10

NOTE: See page iv for painted parts color system.

## 12 LABELS

### 12.a Labels - English/Spanish, 102 and 130 Gallon, Pin And Clamp Mount, CE And Auto-Restart



<b>12.a Labels - English/Spanish, 102 and 130 Gallon, Pin And Clamp Mount, CE And Auto-Restart - Common Parts</b>			
<b>Item</b>	<b>Part Number</b>	<b>Description</b>	<b>Qty</b>
1	62-03882-09	Decal, Carrier Transicold	1
2	62-02854-00	Decal, Operating Instructions - <b>Except For RG0736</b>	1
3	62-02896-00	Label, Safety Chains - Spanish	1
4	62-02897-00	Label, Bolt Torque - English/Spanish	2
5	62-02895-00	Label, Fan Warning - English/Spanish	3
6	62-02898-00	Label, Rotation - English/Spanish	1
7	69GS4-1702	Label, Anti-Freeze	1
8	62-02937-00	Label, Refueling	1
9	62-10395-00	Label, Powerline	1

<b>12.a.1 Labels - English/Spanish, 102 and 130 Gallon, Pin Mount</b>			
<b>Item</b>	<b>Part Number</b>	<b>Description</b>	<b>Qty</b>
10	62-02899-00	Label, Installation - Pin Unit - English/Spanish <b>Prior to RG0364</b>	1
	62-02899-02	Label, Installation - Pin Unit - English/Spanish <b>Starting With RG0364</b>	1

<b>12.a.2 Labels - English/Spanish, 102 and 130 Gallon, Clamp Mount</b>			
<b>Item</b>	<b>Part Number</b>	<b>Description</b>	<b>Qty</b>
10	62-02899-01	Label, Installation - Clamp Unit - English/Spanish <b>Prior to RG0364</b>	1
	62-02899-03	Label, Installation - Clamp Unit - English/Spanish <b>Starting With RG0364</b>	1

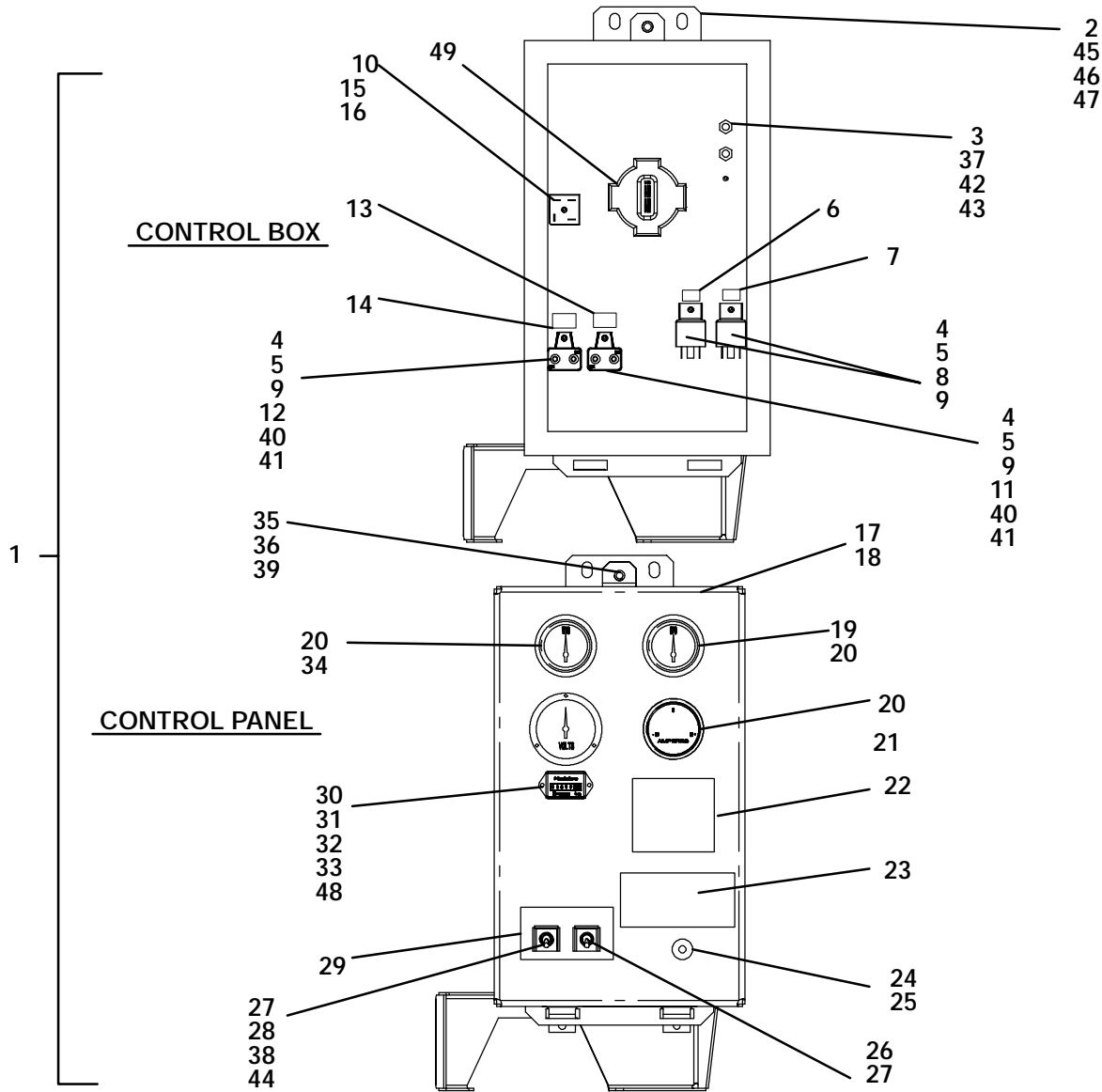
<b>12.a.3 Labels - English/Spanish, 102 and 130 Gallon, Pin And Clamp Mount, No Auto-Restart</b>			
<b>Item</b>	<b>Part Number</b>	<b>Description</b>	<b>Qty</b>
11	62-02717-04	Label, Start-Stop - English/Spanish	1

<b>12.a.4 Labels - English/Spanish, 102 and 130 Gallon, CE, No Auto-Restart</b>			
<b>Item</b>	<b>Part Number</b>	<b>Description</b>	<b>Qty</b>
11	62-02717-04	Label, Start-Stop - English/Spanish	1
12	62-02785-00	Label, European Community	1
13	62-02972-00	Label, Hot Surface	3

<b>12.a.5 Labels - English/Spanish, 102 and 130 Gallon, CE, Auto-Restart</b>			
<b>Item</b>	<b>Part Number</b>	<b>Description</b>	<b>Qty</b>
11	62-02717-05	Label, Start-Stop (Auto-Restart) - English/Spanish	1
12	62-02785-00	Label, European Community	1
13	62-02972-00	Label, Hot Surface	3
14	62-02146-00	Label, Auto-Restart	2

### 13 CONTROL BOX

#### 13.a Control Box - 91-00289-00, -01 And -02 - Common Parts



Item	Part Number	Description	44	Qty
1	91-00289-00	Control Box - <b>Includes:</b>		1
	91-00289-01	Control Box - <b>Includes:</b>		1
	91-00289-02	Control Box - <b>Includes:</b>		1
2	86-04164-00	Control Box - <b>See NOTE</b>		1
3	69NT35-7422	Strap, Grounding		1
4	66U1-5331-4	Washer, Lock, #8 - SST		4
5	34-00666-08	Nut, Hex, #8-32 - SST		4
6	66CH1-1002-38	Label, "HR"		1
7	66CH1-1002-132	Label, "S"		1
8	10-00286-03	Relay, 30 Amp		2
9	66U1-5321-2	Washer, Flat, #8 - SST		4
10	66U1-5331-3	Washer, Lock, #10 - SST		5
11	10-00171-12	Circuit Breaker, 30 Amp		1
12	10-00171-13	Circuit Breaker, 50 Amp		1
13	66CH1-3662-21	Label, CB2		1

<b>13.a Control Box - 91-00289-00, -01 and -02 - Common Parts - Includes:</b>			
<b>Item</b>	<b>Part Number</b>	<b>Description</b>	<b>Qty</b>
14	66CH1-1002-5	Label, CB3	1
15	10-01120-00	Rectifier	1
16	AT39JA131	Nut, Hex, #10-24 - SST	1
17	86-04165-00	Cover, Control Box - <b>See NOTE</b>	1
18	42-00341-00	Gasket, Control Box	1
19	66U1-2823	Gauge, Oil Pressure	1
20	KK71EW223	O-Ring	3
21	22-00538-01SV	Ammeter	1
22	66CH1-1022-5	Label, High Voltage	1
23	69GC15-3812	Label, Battery Charger Circuit Breaker	1
24	10-00365-00	Circuit Breaker, 3 Amp	1
25	10-00365-10	Boot, Circuit Breaker	1
26	10-01129-14	Switch, Toggle (IGN)	1
27	66U1-9752	Seal, 0.427-0.432	2
28	10-01129-13	Switch, Toggle (GP)	1
29	62-02669-00	Label, Glow Plug & Ignition Switches	1
30	10-00363-01	Hour Meter	1
31	66U1-6651-15	Screw, Machine Pan Head, #4-40 x 0.75 Lg. - SST	2
32	34-00667-05	Nut, Self Locking, #4-40 - SST	2
33	42-00320-00	Gasket, Hour Meter	1
34	12-00097-03	Gauge, Water Temperature	1
35	66U1-5361-25	Bolt, Machine Hex Head, 1/4-20 x 0.75 Lg. - SST	5
36	AU11JR171	Washer, Lock, 1/4 - SST	5
37	66U1-9592-13	Stand-Off, 1/4-20 x 3/8 Lg.	2
38	66U1-8772	Diode (D4)	1
39	66U1-5321-3	Washer, Flat, 1/4 - SST	5
40	AT39QA132	Nut, Hex, #10-32 - Brass	4
41	34-00372-41	Washer, Lock, 1/4 - SST	4
42	34-00667-11	Nut, Selflock, 1/4-20 - SST	4
43	AT39JA171	Nut, Hex, 1/4-20 - SST	4
44	69GC15-3542	Bracket - <b>See NOTE</b>	2
45	66U1-5361-25	Screw, Machine Hex Head, 1/4-20 x 0.75 Lg. - SST	4
46	AU11JR171	Washer, Lock, 1/4 - SST	4
47	66U1-5321-3	Washer, Flat, 1/4 - SST	4
48	76-50097-00	Wire Assy, Control Box	1

<b>13.a.1 Control Box - 91-00289-00 - Includes:</b>			
<b>Item</b>	<b>Part Number</b>	<b>Description</b>	<b>Qty</b>
49	22-01760-00	Harness, Wiring	1

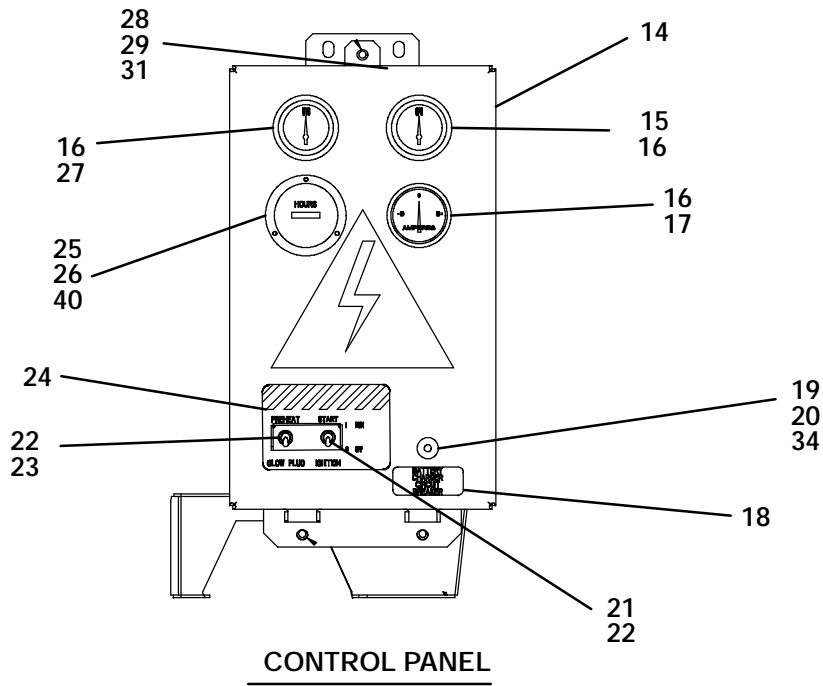
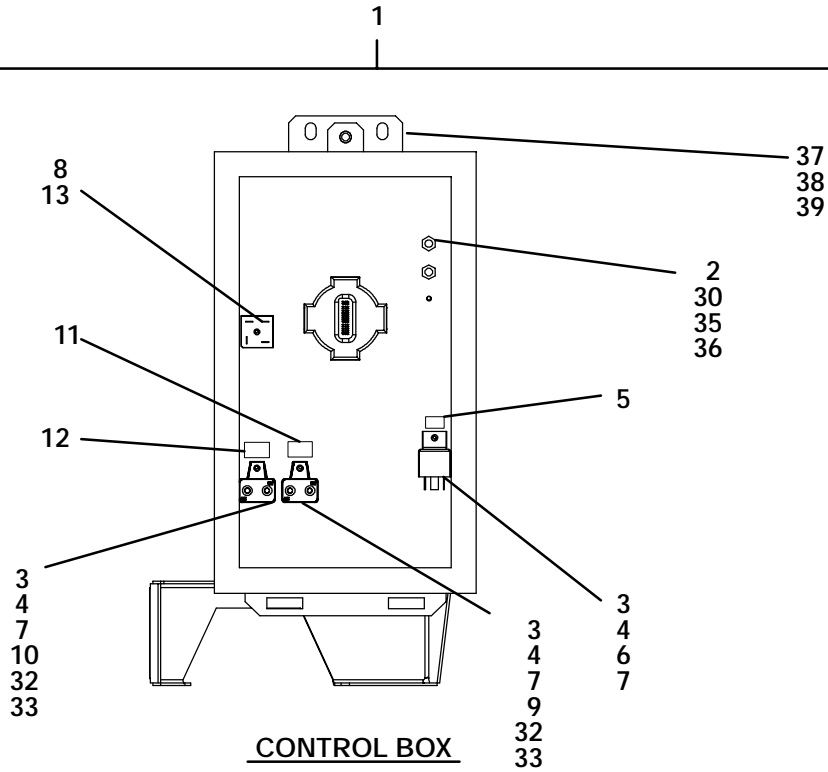
<b>13.a.2 Control Box - 91-00289-01 - Includes:</b>			
<b>Item</b>	<b>Part Number</b>	<b>Description</b>	<b>Qty</b>
49	22-01797-00	Harness, Wiring	1

<b>13.a.3 Control Box - 91-00289-02 - Includes:</b>			
<b>Item</b>	<b>Part Number</b>	<b>Description</b>	<b>Qty</b>
49	22-01797-01	Harness, Wiring	1

NOTE: See page iv for painted parts color system.



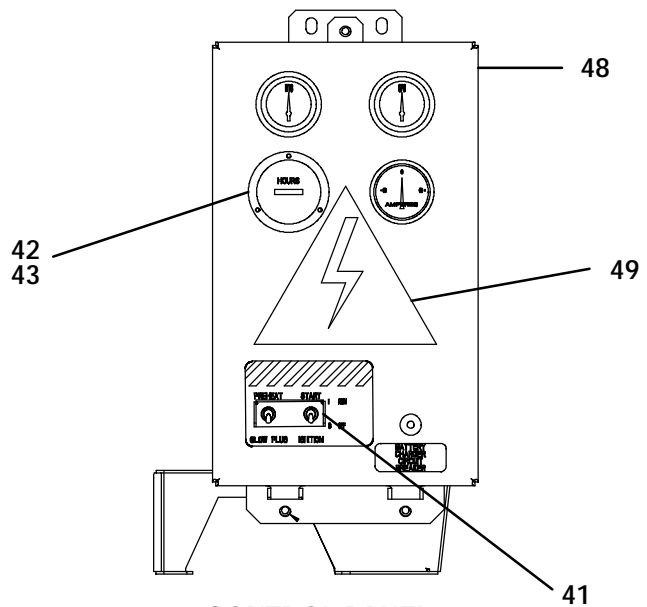
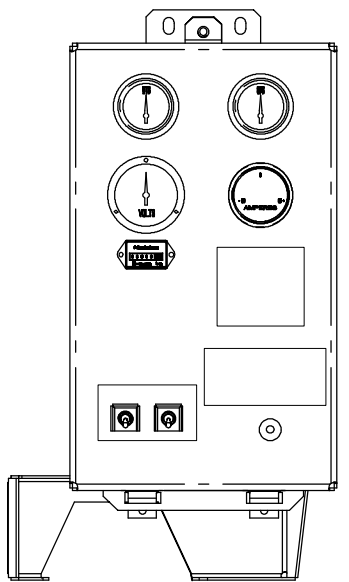
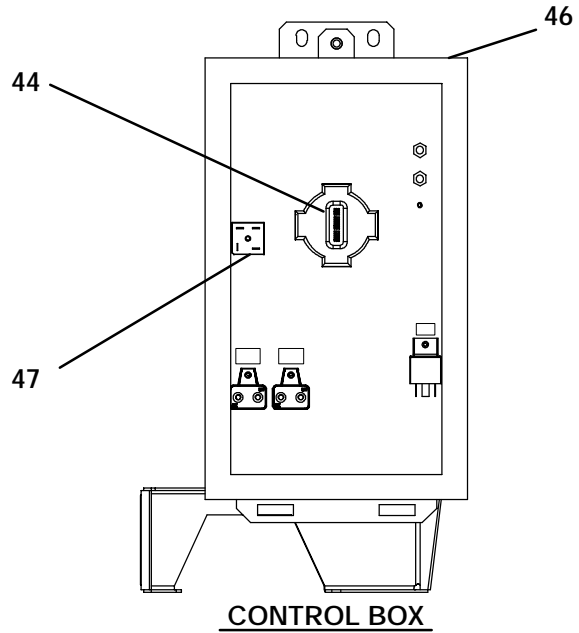
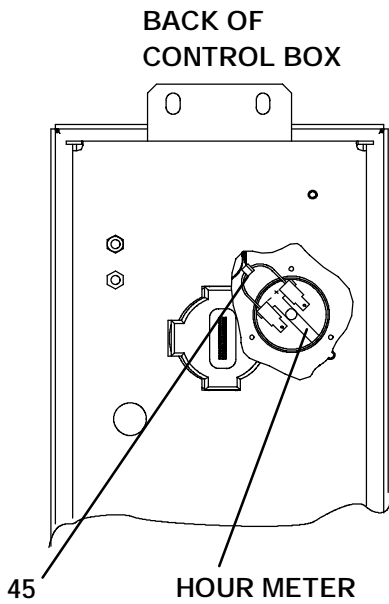
13.b Control Box - 91-00300-00, -01, -02 And 91-00338-00,-03 - Common Parts



<b>13.b Control Box - 91-00300-00, -01, -02 And 91-00338-00,-03 - Common Parts - Includes:</b>			
<b>Item</b>	<b>Part Number</b>	<b>Description</b>	<b>Qty</b>
1	91-00300-00	Control Box - <b>Includes:</b>	1
	91-00300-01	Control Box - <b>Includes:</b>	1
	91-00300-02	Control Box - <b>Includes:</b>	1
	91-00338-00	Control Box - <b>Includes:</b>	1
	91-00338-03	Control Box - <b>Includes:</b>	1
2	69NT35-7422	Strap, Grounding	1
3	66U1-5331-4	Washer, Lock, #8 - SST	A/R
4	34-00666-08	Nut, Hex, #8-32 - SST	A/R
5	66CH1-1002-132	Label, "S"	1
6	10-00286-03	Relay, 30 Amp	1
7	66U1-5321-2	Washer, Flat, #8 - SST	A/R
8	66U1-5331-3	Washer, Lock, #10 - SST	A/R
9	10-00171-12	Circuit Breaker, 30 Amp	1
10	10-00171-13	Circuit Breaker, 50 Amp	1
11	66CH1-3662-21	Label, CB2	1
12	66CH1-1002-5	Label, CB3	1
13	AT39JA131	Nut, Hex, #10-24 - SST	A/R
14	42-00341-00	Gasket, Control Box	1
15	66U1-2823	Gauge, Oil Pressure	1
16	KK71EW223	O-Ring	3
17	22-00538-01SV	Ammeter	1
18	69GC15-3812	Label, Battery Charger Circuit Breaker	1
19	10-00365-00	Circuit Breaker, 3 Amp	1
20	10-00365-10	Boot, Circuit Breaker	1
21	10-01129-14	Switch, Toggle (IGN)	1
22	66U1-9752	Seal, 0.427-0.432	2
23	10-01129-13	Switch, Toggle (GP)	1
24	62-02973-00	Label, Glow Plug & Ignition Switches	1
25	66U1-6651-15	Screw, Machine Pan Head, #4-40 x 0.75 Lg. - SST	2
26	34-00667-05	Nut, Self Locking, #4-40 - SST	A/R
27	12-00097-03	Gauge, Water Temperature	1
28	66U1-5361-25	Bolt, Machine Hex Head, 1/4-20 x 0.75 Lg. - SST	A/R
29	AU11JR171	Washer, Lock, 1/4 - SST	A/R
30	66U1-9592-13	Stand-Off, 1/4-20 x 3/8 Lg.	2
31	66U1-5321-3	Washer, Flat, 1/4 - SST	A/R
32	AT39QA132	Nut, Hex, #10-32 - Brass	4
33	34-00372-41	Washer, Lock, 1/4 - SST	4
34	KK71GW007	O-Ring	1
35	34-00667-11	Nut, Selflock, 1/4-20 - SST	A/R
36	AT39JA171	Nut, Hex, 1/4-20 - SST	A/R
37	66U1-5361-25	Screw, Machine Hex Head, 1/4-20 x 0.75 Lg. - SST	4
38	AU11JR171	Washer, Lock, 1/4 - SST	4
39	66U1-5321-3	Washer, Flat, 1/4 - SST	4
40	76-50097-00	Wire Assy, Control Box	1

NOTE: See page iv for painted parts color system.

13.c Control Box - 91-00300-00, -01, -02 And 91-00338-00, -03 - Specific Parts



13.c.1 Control Box - 91-00300-00 - Includes:

Item	Part Number	Description	Qty
41	69GC15-3542	Bracket - See NOTE	2
42	42-00320-00	Gasket, Hour Meter	1
43	10-00363-01	Hour Meter	1
44	22-01789-01	Harness, Wiring	1
45	66U1-8772	Diode (D4)	1
46	86-04231-00	Control Box - See NOTE	1
47	10-01120-00	Rectifier	1
48	86-04165-00	Cover, Control Box - See NOTE	1
49	62-03957-02	Label, High Voltage	1

**13.c.2 Control Box - 91-00300-01 - Includes:**

Item	Part Number	Description	Qty
41	68-12973-01	Bracket - See NOTE	1
42	69GS4-1582-1	Gasket, Hour Meter	1
43	10-00363-01	Hour Meter	1
44	22-01853-00	Harness, Wiring	1
45	66U1-8772	Diode (D4)	1
46	86-04231-00	Control Box - See NOTE	1
47	10-01120-00	Rectifier	1
48	86-04165-00	Cover, Control Box - See NOTE	1
49	62-03957-02	Label, High Voltage	1

**13.c.3 Control Box - 91-00300-02 - Includes:**

Item	Part Number	Description	Qty
41	68-12973-01	Bracket - See NOTE	1
42	69GS4-1582-1	Gasket, Hour Meter	1
43	66U1-7802	Hour Meter	1
44	22-01853-01	Harness, Wiring	1
45	22-01030-53	Diode Assy	1
46	86-04231-00	Control Box - See NOTE	1
47	10-01120-00	Rectifier	1
48	86-04165-00	Cover, Control Box - See NOTE	1
49	62-03957-02	Label, High Voltage	1

**13.c.4 Control Box - 91-00338-00 - Includes:**

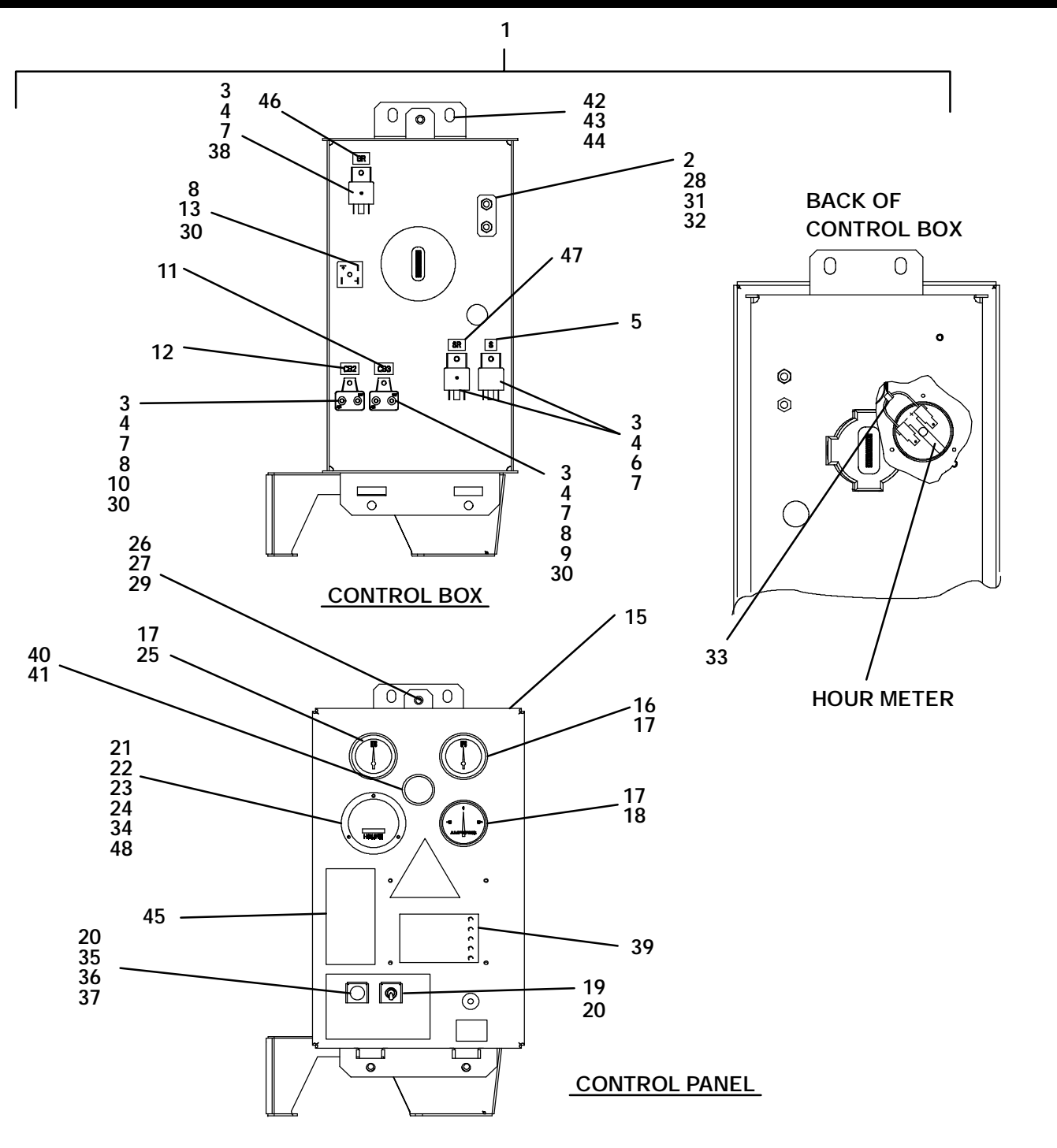
Item	Part Number	Description	Qty
41	68-12973-00	Bracket - See NOTE	1
42	69GS4-1582-1	Gasket, Hour Meter	1
43	66U1-7802	Hour Meter	1
44	22-01965-00	Harness, Wiring	1
45	10-01021-00	Diode	1
46	86-04231-02	Control Box - See NOTE	1
48	86-04165-04	Cover, Control Box - See NOTE	1
49	62-03957-04	Label, High Voltage	1

**13.c.5 Control Box - 91-00338-03 - Includes:**

Item	Part Number	Description	Qty
41	68-12973-00	Bracket - See NOTE	1
42	69GS4-1582-1	Gasket, Hour Meter	1
43	66U1-7802	Hour Meter	1
44	22-01965-00	Harness, Wiring	1
45	10-01021-00	Diode	1
46	86-04231-01	Control Box - See NOTE	1
48	86-04165-07	Cover, Control Box - See NOTE	1
49	62-03957-04	Label, High Voltage	1

NOTE: See page iv for painted parts color system.

13.d Control Box - Auto-Restart - 91-00300-03, -05 And 91-00338-02, -04, -08 - Common Parts

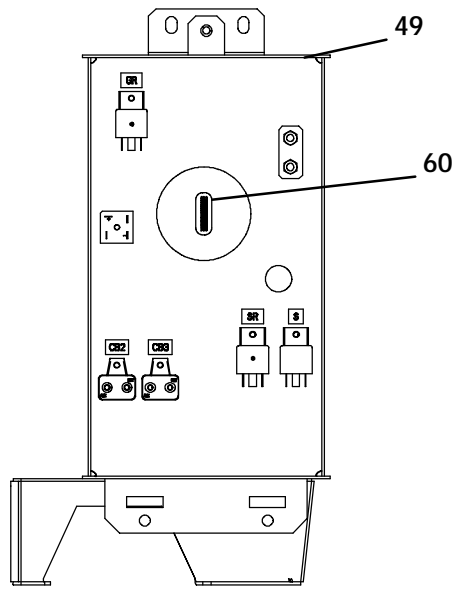


Item	Part Number	Description	Qty
1	91-00300-03	Control Box - <b>Includes:</b>	1
	91-00300-05	Control Box - <b>Includes:</b>	1
2	69NT35-7422	Strap, Grounding	1
3	66U1-5331-4	Washer, Lock, #8 - SST	A/R
4	34-00666-08	Nut, Hex, #8-32 - SST	A/R
5	66CH1-1002-132	Label, "S"	1
6	10-00286-02	Relay, SPDT, NC, With Diode	1
7	66U1-5321-2	Washer, Flat, #8 - SST	A/R

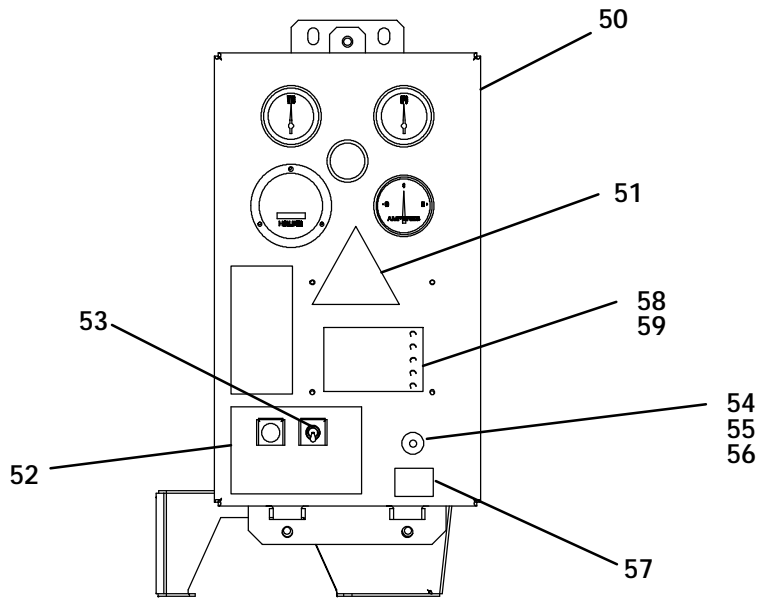
13.d Control Box - Auto-Restart - 91-00300-03, -05, And 91-00338-02, -04, -08 - Common Parts - Includes:			
Item	Part Number	Description	Qty
8	66U1-5331-3	Washer, Lock, #10 - SST	5
9	10-00171-12	Circuit Breaker, 30 Amp	1
10	10-00171-13	Circuit Breaker, 50 Amp	1
11	66CH1-3662-21	Label, CB2	1
12	66CH1-1002-5	Label, CB3	1
13	10-01120-00	Rectifier	1
14	AT39JA131	Nut, Hex, #10-24 - SST	A/R
15	42-00341-00	Gasket, Control Box	1
16	66U1-2823	Gauge, Oil Pressure	1
17	KK71EW223	O-Ring	3
18	22-00538-01SV	Ammeter	1
19	66U1-9752	Seal, 0.427-0.432	2
20	69GC15-3542	Bracket - <b>See NOTE</b>	2
21	66U1-6651-15	Screw, Machine Pan Head, #4-40 x 0.75 Lg. - SST	3
22	34-00667-05	Nut, Self Locking, #4-40 - SST	3
23	69GS4-1582-1	Gasket, Hour Meter	1
24	66U1-7802	Hour Meter	1
25	12-00097-03	Gauge, Water Temperature	1
26	66U1-5361-25	Bolt, Machine Hex Head, 1/4-20 x 0.75 Lg. - SST	3
27	AU11JR171	Washer, Lock, 1/4 - SST	5
28	66U1-9592-13	Stand-Off, 1/4-20 x 3/8 Lg.	2
29	66U1-5321-3	Washer, Flat, 1/4 - SST	3
30	AT39QA132	Nut, Hex, #10-32 - Brass	4
31	34-00667-11	Nut, Selflock, 1/4-20 - SST	8
32	AT39JA171	Nut, Hex, 1/4-20 - SST	2
33	22-01030-53	Diode Assy	1
34	22-01587-00	Terminal	2
35	22-00049-00	Lamp, 12 VDC	1
36	22-00518-01	Base, Pilot Light	1
37	22-00519-01	Jewel Assy, Red	1
38	10-00328-00	Relay	1
39	62-10387-00	Label, Lights	1
40	10-00375-01SV	Indicator, Buzzer	1
41	42-00243-14	O-Ring	1
42	66U1-5361-25	Screw, Machine Hex Head, 1/4-20 x 0.75 Lg. - SST	4
43	AU11JR171	Washer, Lock, 1/4 - SST	4
44	66U1-5321-3	Washer, Flat, 1/4 - SST	4
45	62-02146-00	Label, Auto-Restart	1
46	62-10530-03	Label, "GR"	1
47	62-10530-02	Label, "SR"	1
48	76-50097-00	Wire Assy, Control Box	1

**NOTE:** See page iv for painted parts color system.

13.e Control Box - Auto Restart - 91-00300-03, -05 And 91-00338-02, -04,-08 - Specific Parts



CONTROL BOX



CONTROL PANEL

13.e.1 Control Box - Auto Restart - 91-00300-03 - Includes:

Item	Part Number	Description	Qty
49	86-04231-01	Control Box - See NOTE	1
50	86-04165-03	Cover, Control Box - See NOTE	1
51	62-03957-01	Label, High Voltage	1
52	62-02973-01	Label, Engine Start Light And Ignition	1
53	10-01129-05	Switch, Toggle (2 Poles)	1
54	10-00365-00	Circuit Breaker, 3 Amp	1
55	10-00365-10	Boot, Circuit Breaker	1

56	KK71GW007	O-Ring	1
57	69GC15-3812	Label, Battery Charger Circuit Breaker	1
58	12-00473-00	Module, Auto Restart	1
59	42-00473-00	Gasket, Auto Restart	1
60	22-01890-00	Harness, Wiring	1
60	22-01937-00	Harness, Wiring	1

**13.e.2 Control Box - Auto Restart - 91-00300-05 - Includes:**

Item	Part Number	Description	Qty
49	86-04231-01	Control Box - See NOTE	1
50	86-04165-03	Cover, Control Box - See NOTE	1
51	62-03957-01	Label, High Voltage	1
52	62-02973-01	Label, Engine Start Light And Ignition	1
53	10-01129-05	Switch, Toggle (2 Poles)	1
58	12-00477-01	Module, Auto Restart	1
59	42-00481-00	Gasket, Auto Restart	1

**13.e.3 Control Box - Auto Restart - 91-00338-02 - Includes:**

Item	Part Number	Description	Qty
49	86-04231-03	Control Box - See NOTE	1
50	86-04165-05	Cover, Control Box - See NOTE	1
51	62-03957-04	Label, High Voltage	1
52	62-02973-02	Label, Engine Start Light And Ignition	1
53	10-01164-05	Switch, Toggle (2 Poles)	1
54	10-00365-00	Circuit Breaker, 3 Amp	1
55	10-00365-10	Boot, Circuit Breaker	1
56	KK71GW007	O-Ring	1
57	69GC15-3812	Label, Battery Charger Circuit Breaker	1
58	12-00477-01	Module, Auto Restart	1
59	42-00481-00	Gasket, Auto Restart	1
60	22-01965-02	Harness, Wiring	1

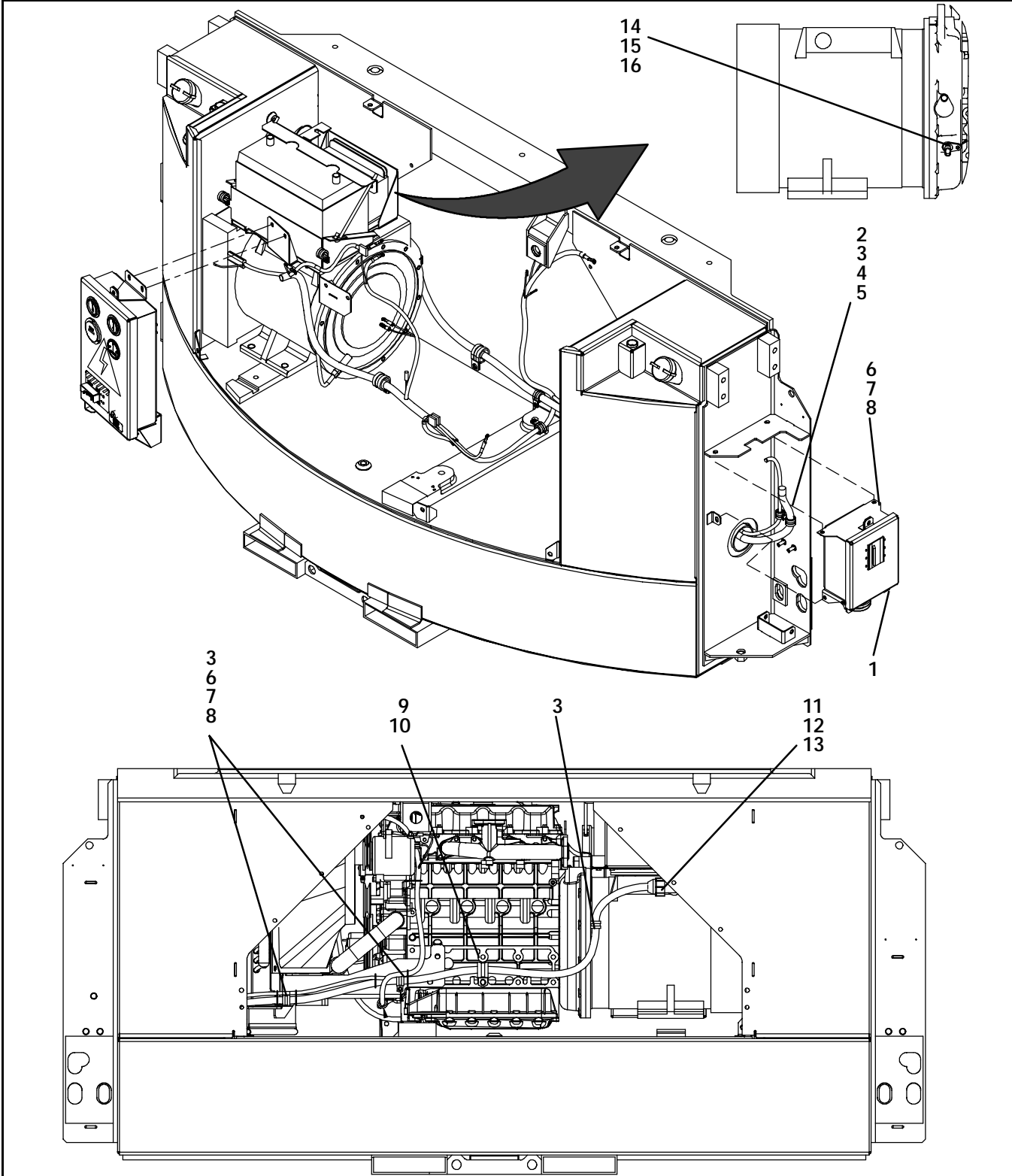
**13.e.4 Control Box - Auto Restart - 91-00338-04, -08 - Includes:**

Item	Part Number	Description	Qty
49	86-04231-02	Control Box (91-00338-04) See NOTE	1
	86-04231-04	Control Box (91-00338-08) See NOTE	1
50	86-04165-04	Cover, Control Box - See NOTE	1
51	62-03957-04	Label, High Voltage	1
52	62-02973-00	Label, Engine Start Light And Ignition	1
53	10-01129-13	Switch, Toggle (2 Poles)	1
54	10-00365-00	Circuit Breaker, 3 Amp	1
55	10-00365-10	Boot, Circuit Breaker	1
56	KK71GW007	O-Ring	1
57	69GC15-3812	Label, Battery Charger Circuit Breaker	1
60	22-01965-04	Harness, Wiring	1



# 14 VOLTAGE

## 14.a Voltage - Common Parts

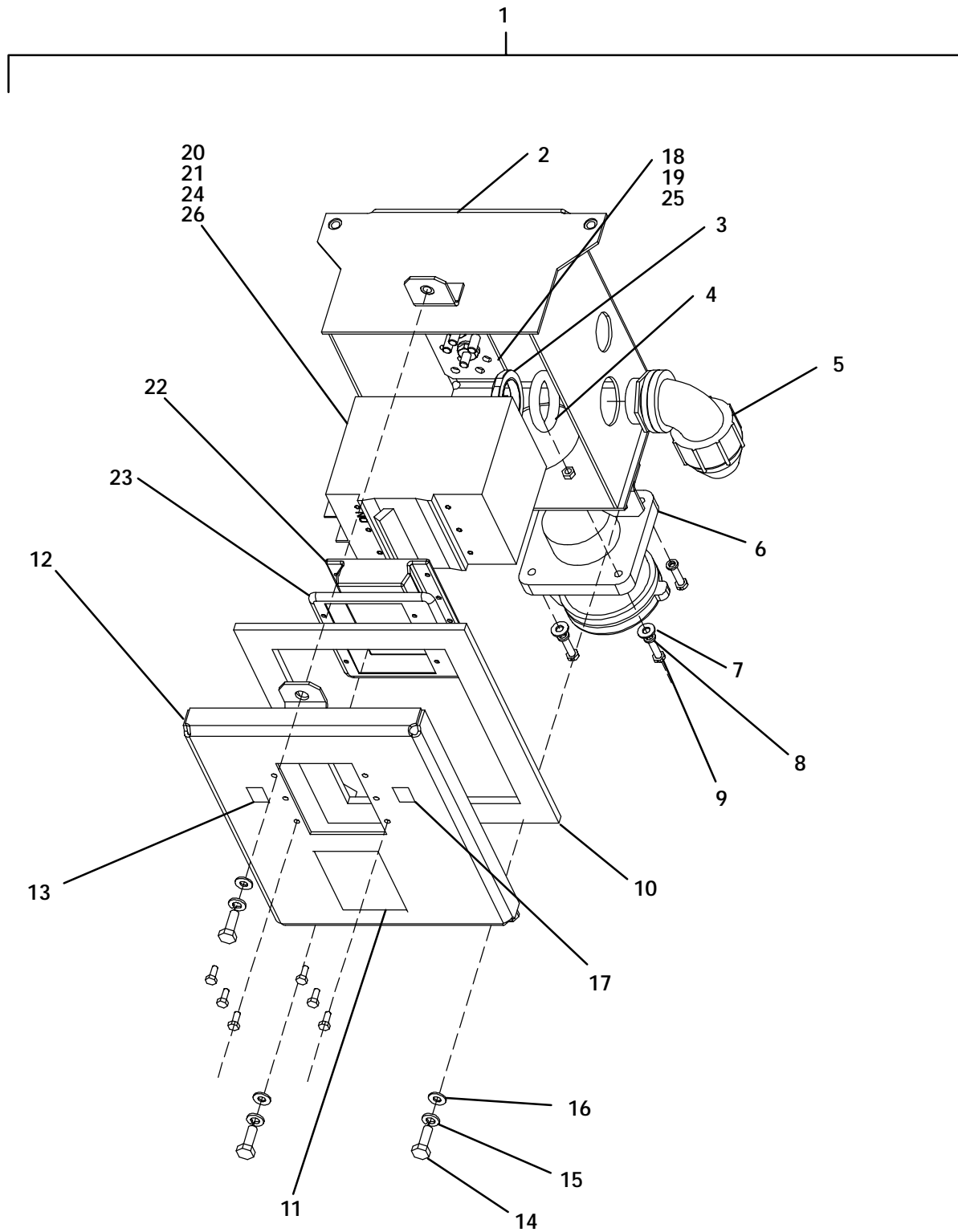


<b>14.a.1 Voltage</b>			
<b>Item</b>	<b>Part Number</b>	<b>Description</b>	<b>Qty</b>
1	-	Receptacle Box Assembly - See 14.b, 14.c, And 14.d	1
2	22-01764-01	Cable Assy, 8/4 SO	1
3	44-00102-54	Clamp, Hose, 3/4 Dia. Support	7
4	34-00662-12	Washer, Plain, 5/16	1
5	34-00667-12	Nut, Self-Lock, 6/16-18	1
6	66U1-5361-25	Bolt, Machine Hex Head, 1/4-20 x 0.75 lg. - SST	1
7	66U1-5321-7	Washer, Flat, 1/4 - SST	1
8	AU11JR171	Washer, Lock, 1/4 - SST	1
9	44-00102-59	Clamp, Hose, 1 1/4 Dia. Support	1
10	34-01155-25	Screw, Cap HexHd, M12 X 25mm	1
11	66U1-8472-5	Connector, 90 Degree	1
12	66U1-1251-3	O-Ring	1
13	34-06136-02	Nut, Lock, 1.00 NPT	1

<b>14.a.2 Voltage - 460V A.R. W/Alt</b>			
<b>Item</b>	<b>Part Number</b>	<b>Description</b>	<b>Qty</b>
1	-	Receptacle Box Assembly - See 14.c And 14.d	1
2	22-01764-01	Cable Assy, 8/4 SO	1
3	44-00102-54	Clamp, Hose, 3/4 Dia. Support	7
4	34-01264-12	Washer, Plain, 5/16	1
5	34-00667-12	Nut, Self-Lock, 6/16-18	1
6	66U1-5361-25	Bolt, Machine Hex Head, 1/4-20 x 0.75 lg. - SST	1
7	66U1-5321-7	Washer, Flat, 1/4 - SST	1
8	AU11JR171	Washer, Lock, 1/4 - SST	1
9	44-00102-59	Clamp, Hose, 1 1/4 Dia. Support	1
10	34-01155-25	Screw, Cap HexHd, M12 X 25mm	1
11	66U1-8472-5	Connector, 90 Degree	1
12	66U1-1251-3	O-Ring	1
13	34-06136-02	Nut, Lock, 1.00 NPT	1
14	12-00448-01	Sensor, RPM	1
15	34-01152-16	Screw, Cap HxHd, M6 X 16mm	1
16	34-01151-06	Washer, Flat, M6	1

**NOTE:** See page iv for painted parts color system.

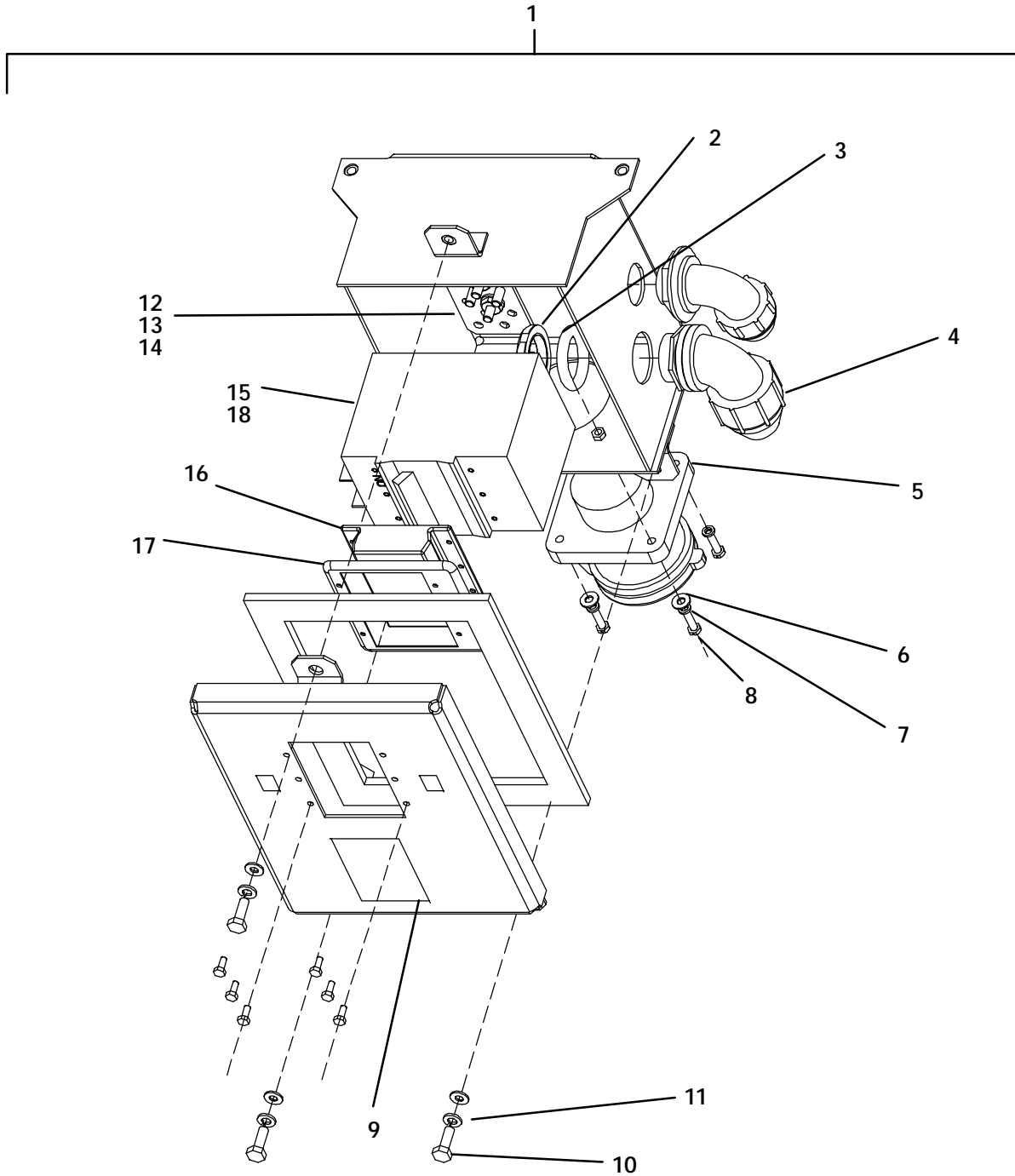
14.b Voltage - Receptacle Box - 460 Volt



<b>14.b Voltage - Receptacle Box - 460V</b>			
<b>Item</b>	<b>Part Number</b>	<b>Description</b>	<b>Qty</b>
1	91-00290-00	Receptacle Box Assembly - See NOTE Includes:	1
2	86-04166-00	Receptacle Box - See NOTE	1
3	34-06136-02	Nut, Lock, 1.00 NPT	1
4	66U1-1251-3	O-Ring	1
5	66U1-8472-5	Connector, 90 Degree	1
6	22-01679-00	Receptacle, 30 Amp	1
7	66U1-5321-8	Washer, Flat, #10 - SST	4
8	66U1-5331-3	Washer, Lock, #10 - SST	4
9	66U1-5371-6	Screw, Hex Head, #10-24 x 0.75 lg. - SST	4
10	42-00340-00	Gasket	1
11	66CH1-1022-5	Label, High Voltage	1
12	86-04163-00	Cover, Receptacle Box	1
13	62-02670-00	Label, "ON"	1
14	66U1-5361-25	Bolt, Machine Hex Head, 1/4-20 x 0.75 lg. - SST	A/R
15	AU11JR171	Washer, Lock, 1/4 - SST	A/R
16	66U1-5321-7	Washer, Flat, 1/4 - SST	A/R
17	62-02670-01	Label, "OFF"	1
18	34-00372-41	Washer, Lock. 1/4 External Tooth - SST	1
19	34-00667-11	Nut, Selflock, 1/4-20 - SST	1
20	66U1-7842-6	Nut, Hex, #10-32 - Brass	12
21	66U1-7842-7	Washer, Flat, #10 - Nickel	12
22	66U2-1391	Boot - Includes #6 Mounting Hardware	1
23	66CH1-1092-4	Frame, Boot	1
24	66U1-7842-5	Circuit Breaker, 480 Volt	1
25	69NT41-982-2	Strap Assy, Ground	1
26	76-50098-00	Wire Harness	1

**NOTE:** See page iv for painted parts color system.

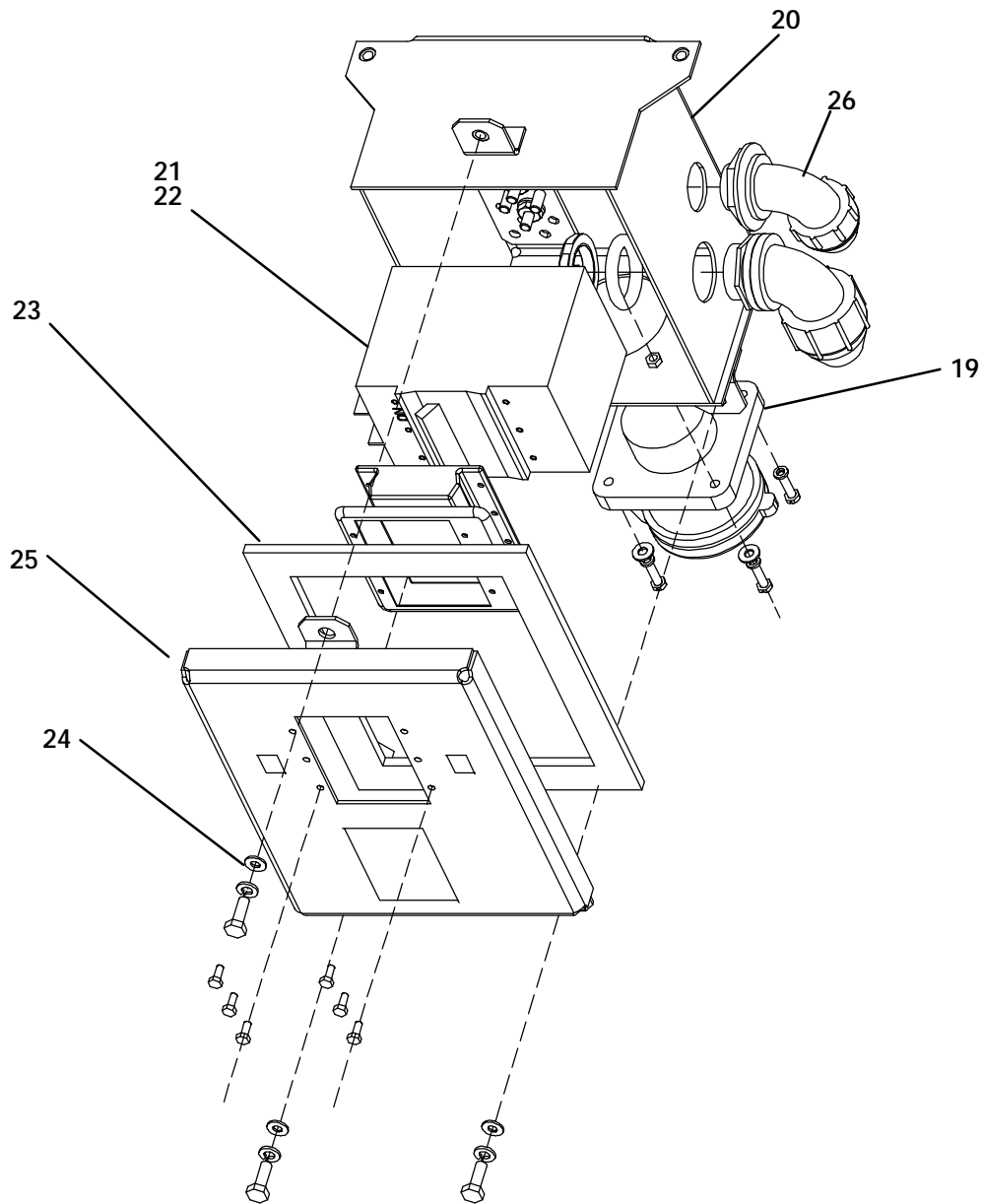
14.c Voltage - Receptacle Box - 230 And 460 Volt And Auto-Restart With Alternator - Common Parts



<b>14.c Voltage - Receptacle Box - 91-00301-00, -01, -02, -03 And -04 - Common Parts</b>			
<b>Item</b>	<b>Part Number</b>	<b>Description</b>	<b>Qty</b>
1	91-00301-00	Receptacle Box Assembly - See NOTE And Following Pages Includes:	1
	91-00301-01	Receptacle Box Assembly - See NOTE And Following Pages Includes:	1
	91-00301-02	Receptacle Box Assembly - See NOTE And Following Pages Includes:	1
	91-00301-03	Receptacle Box Assembly - See NOTE And Following Pages Includes:	1
	91-00301-04	Receptacle Box Assembly - See NOTE And Following Pages Includes:	1
2	34-06136-02	Nut, Lock, 1.00 NPT	1
3	66U1-1251-3	O-Ring	1
4	66U1-8472-5	Connector, 90 Degree	1
5	22-01938-00	Receptacle, 5 Pin, 460V	1
6	66U1-5321-8	Washer, Flat, #10 - SST	4
7	66U1-5331-3	Washer, Lock, #10 - SST	4
8	66U1-5371-6	Screw, Hex Head, #10-24 x 0.75 lg. - SST	4
9	62-02948-01	Label, High Voltage	1
10	66U1-5361-25	Bolt, Machine Hex Head, 1/4-20 x 0.75 lg. - SST	A/R
11	AU11JR171	Washer, Lock, 1/4 - SST	A/R
12	34-00667-11	Nut, Selflock, 1/4-20 - SST	1
13	34-00372-41	Washer, Lock. 1/4 External Tooth - SST	1
14	69NT41-982-2	Strap Assy, Ground	1
15	66U1-7842-7	Washer, Flat, #10 - Nickel	12
16	66U2-1391	Boot - Includes #6 Mounting Hardware	1
17	66CH1-1092-4	Frame, Boot	1
18	76-50098-00	Wire Harness	1

**NOTE:** See page iv for painted parts color system.

14.d Voltage - Receptacle Box - 230 And 460 Volt And Auto-Restart With Alternator - Specific Parts



14.d.1 Voltage - Specific Parts for 91-00301-00 - 460 Volt - Includes:

Item	Part Number	Description	Qty
19	22-01679-00	Receptacle, 30 Amp	1
20	86-04230-00	Receptacle Box - See NOTE	1
21	66U1-7842-5	Circuit Breaker, 480 Volt	1
22	66U1-7842-6	Nut, Hex, #10-32 - Brass	12
23	42-00340-00	Gasket	1
24	66U1-5321-7	Washer, Flat, 1/4 - SST	12
25	86-04163-00	Cover, Receptacle Box	1
26	22-02302-03	Connector, 3/4	1

<b>14.d.2 Voltage - Receptacle Box - Specific Parts for 91-00301-01 - 460 Volt - Includes:</b>			
<b>Item</b>	<b>Part Number</b>	<b>Description</b>	<b>Qty</b>
19	22-01679-00	Receptacle, 30 Amp	1
20	86-04272-00	Receptacle Box - See NOTE	1
21	66U1-7842-11	Circuit Breaker, 480 Volt	1
23	42-00340-01	Gasket	1
22	66U1-7842-6	Nut, Hex, #10-32 - Brass	12
24	66U1-5321-7	Washer, Flat, 1/4 - SST	12
25	86-04273-00	Cover, Receptacle Box	1
26	22-02302-03	Connector, 3/4	1

<b>14.d.3 Voltage - Receptacle Box - Specific Parts for 91-00301-02 - 460 Volt - Includes:</b>			
<b>Item</b>	<b>Part Number</b>	<b>Description</b>	<b>Qty</b>
19	22-01679-00	Receptacle, 30 Amp	1
20	86-04272-01	Receptacle Box - See NOTE	1
21	66U1-7842-11	Circuit Breaker, 480 Volt	1
23	42-00340-01	Gasket	1
22	66U1-7842-6	Nut, Hex, #10-32 - Brass	12
24	66U1-5321-7	Washer, Flat, 1/4 - SST	12
25	86-04273-00	Cover, Receptacle Box	1

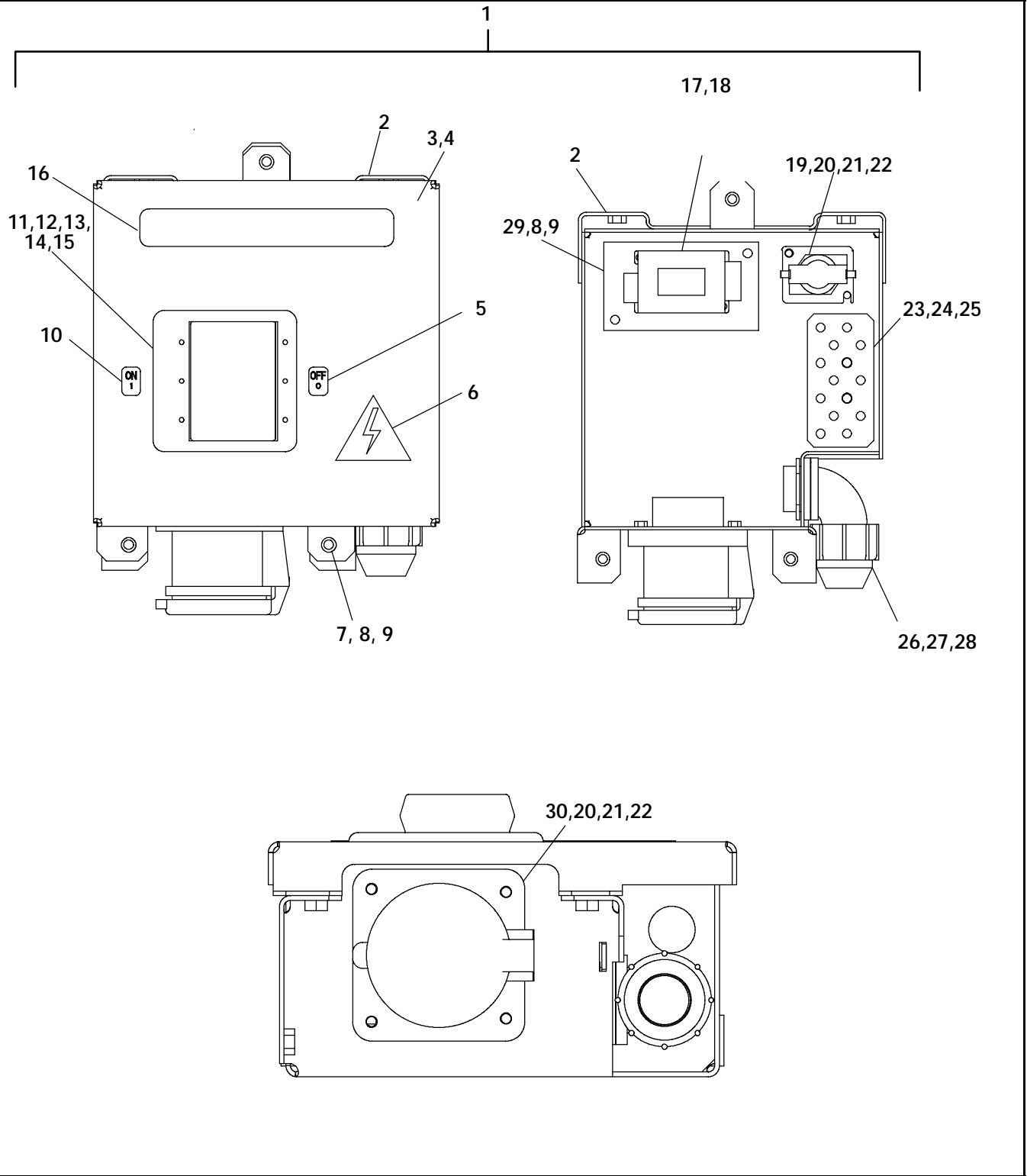
<b>14.d.4 Voltage - Receptacle Box - Specific Parts for 91-00301-03 - 230 Volt - Includes:</b>			
<b>Item</b>	<b>Part Number</b>	<b>Description</b>	<b>Qty</b>
19	22-01286-00	Receptacle, 30 Amp	1
20	86-04272-02	Receptacle Box - See NOTE	1
21	10-00083-05	Circuit Breaker, 480 Volt	1
23	42-00340-01	Gasket	1
22	10-00083-07	Nut, Hex, #10-32 - Brass	12
24	10-00083-08	Washer, Flat, 1/4 - Nickel	12
25	86-04273-01	Cover, Receptacle Box	1

<b>14.d.5 Voltage - Receptacle Box - Specific Parts for 91-00301-04 - A/R With Alt. - Includes:</b>			
<b>Item</b>	<b>Part Number</b>	<b>Description</b>	<b>Qty</b>
19	22-01938-00	Receptacle, 30 Amp	1
20	86-04272-03	Receptacle Box - See NOTE	1
21	66U1-7842-5	Circuit Breaker, 480 Volt	1
23	42-00340-01	Gasket	1
22	66U1-7842-6	Nut, Hex, #10-32 - Brass	12
24	66U1-5321-7	Washer, Flat, 1/4 - SST	A/R
25	86-04273-00	Cover, Receptacle Box	1

NOTE: See page iv for painted parts color system.



14.e Voltage Receptacle Box - 460 Volt - 91-00340-00

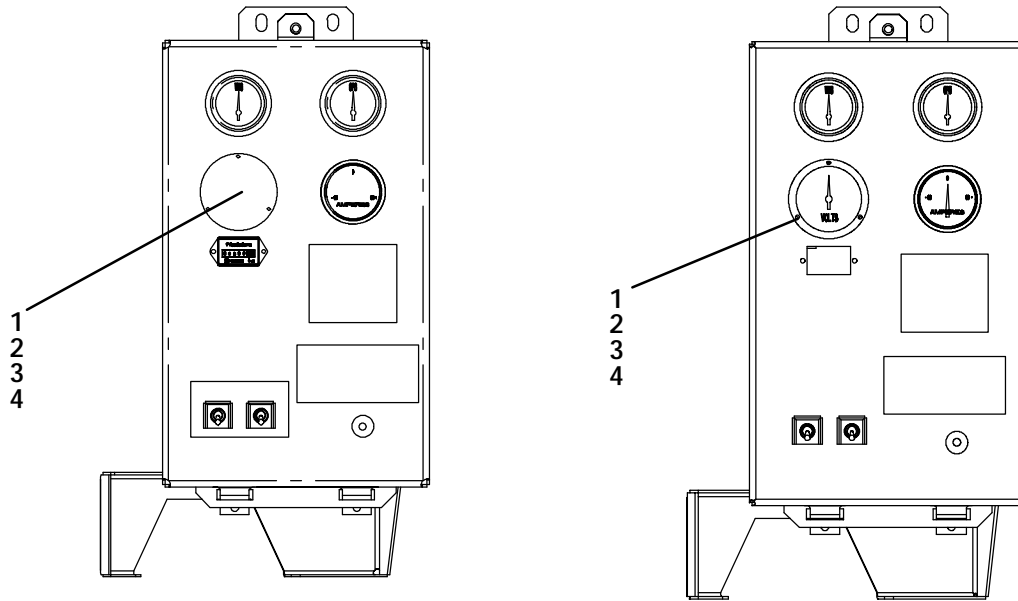


<b>14.e Voltage Receptacle Box - 460 Volt - 91-00340-00- Continued</b>			
<b>Item</b>	<b>Part Number</b>	<b>Description</b>	<b>Qty</b>
1	91-00340-00	Voltage Receptacle Box - <b>Includes:</b>	1
2	86-04484-00	Voltage Receptacle Box - <b>See NOTE</b>	1
3	86-04485-00	Cover, Voltage Receptacle	1
4	42-00550-00	Gasket	1
5	62-02670-01	Label "OFF"	1
6	62-03957-04	Decal "Warning High Voltage"	1
7	66U1-5361-25	Screw Cap, Hex 1/4-20x.75 inches	A/R
8	66U1-5321-7	Washer, Plain 1/4 inch	A/R
9	AU-11JR-171	Washer, Lock 1/4 inch	A/R
10	62-02670-00	Label "ON"	1
11	66U1-7842-11	Circuit Breaker, 480V	1
12	66U2-1391-1	Boot	1
13	66CH1-1092-4	Boot Frame	1
14	66U1-7842-6	Nut, Hex, #10-32	A/R
15	66U1-7842-7	Washer, Flat #10-32	A/R
16	62-10021-00	Label, Voltage	1
17	10-00433-00	Contactora (30AMP)	1
18	34-06253-00	Screw, Allen #10-32x.50 inch	A/R
19	10-00278-02	Relay, Time Delay	1
20	66U1-5371-6	Screw, 10-24x.75 Inches	A/R
21	66U1-5331-3	Washer, Lock, #10	A/R
22	66U1-5321-8	Washer, Plain, #10	A/R
23	69NT41-982-2	Strap, Grounding	1
24	34-00372-41	Washer, Lock 1/4 Ext Tooth	A/R
25	34-00667-11	Nut, Self Locking, 1/4-20	A/R
26	66U1-8472-5	Connector, 90 degree Hub	1
27	66U1-1251-3	"O"-ring, 1 inch	1
28	34-06136-02	Nut, Lock, 1 inch NPT	1
29	68-14179-01	Mounting Plate	1
30	22-01679-00	Receptacle	1

**NOTE:** See page iv for painted parts color system.

**15 VOLTMETER**

**15.a Voltmeter - No Voltmeter And Greenband**



**15.a Voltmeter - No Voltmeter And Greenband - Common Parts**

Item	Part Number	Description	Qty
1	69GS4-1582	Gasket	1
2	66U1-6651-15	Screw, Machine Pan Head, #4-40 x .75 Lg. - SST	3
3	34-00667-05	Nut, Lock, #4-40 - SST	3

**15.a.1 Voltmeter - No Voltmeter, Blank-off Plate**

Item	Part Number	Description	Qty
4	69GU15-2472	Plate, Blank-off	1

**15.a.2 Voltmeter - Voltmeter - Greenband**

Item	Part Number	Description	Qty
4	22-00462-00	Voltmeter	1

# PART NUMBER INDEX

PART NO.	PAGE NO.	PART NO.	PAGE NO.	PART NO.	PAGE NO
02-00083-00	13	22-00120-04	1	22-02302-03	54, 55
04-00018-00	11	22-00120-07	1	22-02319-03	25
04-50012-00	13	22-00121-07	1	22-50206-00	13
07-00245-00	1	22-00398-00	25	22-50207-00	13
10-00083-05	55	22-00462-00	58	22-50208-00	13
10-00083-07	55	22-00518-01	45	25-37558-00	9
10-00083-08	55	22-00519-01	45	25-38735-00	9
10-00158-02	23	22-00538-01SV	39, 41, 45	26-00105-00	9
10-00171-12	38, 41, 45	22-00595-01	1	30-00323-00	1, 19
10-00171-13	38, 41, 45	22-01030-53	43, 45	30-00336-20	26
10-00278-02	57	22-01106-00	1	30-00397-00	23
10-00286-02	44	22-01107-00	1	30-00416-07	29
10-00286-03	38, 41	22-01139-04	1	30-00424-00	27
10-00328-00	45	22-01140-01	1	30-00425-00	26
10-00363-01	39, 43	22-01140-02	1	30-00425-21	26
10-00365-00	39, 41, 46, 47	22-01140-04	1	30-00427-00	27
10-00365-10	39, 41, 46, 47	22-01141-01	1	30-00435-01	27
10-00375-01SV	45	22-01286-00	55	30-00449-00	31
10-00433-00	57	22-01576-31	21	30-00455-00	25
10-01021-00	43	22-01587-00	45	30-01079-01	1, 15
10-01120-00	39, 43, 45	22-01633-20	21	30-01098-05	15
10-01129-05	46, 47	22-01633-21	21	30-01098-07	15
10-01129-13	39, 41, 47	22-01679-00	51, 54, 55, 57	30-01098-28	15
10-01129-14	39, 41	22-01760-00	39	30-01098-29	15
10-01164-05	47	22-01761-00	29	30-01098-37	15
12-00097-03	39, 41, 45	22-01761-01	29	30-01098-38	15
12-00098-04	9	22-01764-01	49	30-01098-41	15
12-00310-01	19	22-01789-01	43	30-01098-42	15
12-00448-01	49	22-01790-00	29	30-01101-07	17
12-00473-00	47	22-01790-01	29	30-01101-50	1, 17
12-00477-01	47	22-01790-02	29	30-01101-59	17
12-01098-03	15, 17	22-01797-00	39	30-01101-68	17
12-01098-05	15, 17	22-01797-01	39	30-01101-69	17
22-00041-00	1	22-01853-00	43	30-01101-70	17
22-00041-02	1	22-01853-01	43	30-01101-71	17
22-00049-00	45	22-01890-00	47	30-01101-72	17
22-00066-01	1	22-01937-00	47	30-01101-73	17
22-00066-02	1	22-01938-00	53, 55	30-01104-50	15
22-00066-03	1	22-01965-00	43	30-01153-30	31
22-00119-04	1	22-01965-02	47	30-01153-70	31
		22-01965-04	47		

# PART NUMBER INDEX

PART NO.	PAGE NO.	PART NO.	PAGE NO.	PART NO.	PAGE NO
34-00368-15	15, 23	34-00807-08	9, 21	34-06053-03	9, 35
34-00372-41	31, 39, 41, 51, 53, 57	34-00807-10	9	34-06060-01	9
34-00372-44	21	34-00807-12	11	34-06134-07	21
34-00373-05	1	34-00829-12	17	34-06136-02	49, 51, 53, 57
34-00373-07	1	34-00829-13	9, 21	34-06149-03	5, 7
34-00373-11	1	34-00829-15	9	34-06170-08	3, 5
34-00373-51	1	34-00831-08	23	34-06200-00	5, 7
34-00373-53	1	34-00833-24	9	34-06201-00	5, 7
34-00373-59	1	34-00890-08	11	34-06205-00	7
34-00373-63	1	34-00890-09	9	34-06207-00	5, 7
34-00373-65	1	34-00928-01	35	34-06229-00	7
34-00373-69	1	34-00928-03	19	34-06247-00	21
34-00373-71	1	34-00928-13	33, 35	34-06253-00	57
34-00373-88	1	34-00932-13	27	34-60095-29	9, 23, 27, 31
34-00588-11	33, 35	34-00945-06	9	38-00152-00	9
34-00655-04	13	34-00946-56	31	40-00043-05	19
34-00655-06	13	34-00946-58	31	40-00117-01	23
34-00655-08	15, 21, 33, 35	34-00964-00	27	40-00172-08	15, 17
34-00655-10	15	34-01142-01	35	40-00213-00	15, 17
34-00662-11	13, 15	34-01145-07	15, 17	40-00420-01	15, 17
34-00662-12	49	34-01146-10	15, 17, 23	40-00469-00	15, 17
34-00662-18	3	34-01151-06	9, 49	40-00566-00	19
34-00663-12	23, 25, 33, 35	34-01151-08	11, 21, 23, 27, 31	40-01156-00	15, 17
34-00666-08	38, 41, 44	34-01151-10	23	42-00243-14	45
34-00666-11	21, 23	34-01151-12	15, 23	42-00264-09	23
34-00667-05	39, 41, 45, 58	34-01152-16	49	42-00320-00	39, 43
34-00667-08	3	34-01152-35	9	42-00340-00	51, 54
34-00667-11,	15, 39, 41, 45, 51, 53, 57	34-01153-100	31	42-00340-01	55
34-00667-12	3, 5, 7, 21, 49	34-01153-15	11, 21, 27	42-00341-00	39, 41, 45
34-00667-13	5, 7, 9	34-01153-82	9, 23	42-00348-00	13
34-00667-15	11	34-01154-25	23	42-00363-00	33, 35
34-00667-61	3	34-01155-25	15, 23, 49	42-00363-01	33, 35
34-00792-10	17	34-01219-01	3	42-00363-03	33, 35
34-00792-28	11	34-01219-02	3	42-00363-04	33
34-00795-17	9	34-01219-03	33, 35	42-00370-00	25
34-00804-16	9	34-01226-00	35	42-00473-00	47
		34-01264-12	3, 33, 35, 49	42-00481-00	47
		34-06014-12	29	42-00486-00	35
		34-06051-07	35	42-00486-01	35
		34-06051-37	26		

# PART NUMBER INDEX

PART NO.	PAGE NO.	PART NO.	PAGE NO.	PART NO.	PAGE NO
42-00550-00	57	54-00576-04	13	62-02899-03	37
44-00022-02	26	54-50034-01	13	62-02937-00	37
44-00045-01	1	54-50036-01	13	62-02948-01	53
44-00045-03	1	54-50036-02	13	62-02972-00	37
44-00045-04	1	54-50039-00	13	62-02973-00	41, 47
44-00045-05	1	54-50064-00	13	62-02973-01	46, 47
44-00045-06	1	54-50082-00	13	62-02973-02	47
44-00045-25	1, 15, 17	54-50084-00	13	62-03882-09	37
44-00046-12	17	58-00065-28	25	62-03957-01	46, 47
44-00046-13	15, 17	58-00658-00	15, 17	62-03957-02	43
44-00094-09	19	58-00659-00	15, 17	62-03957-04	43, 47, 57
44-00102-01	21	58-00735-01	25	62-10021-00	57
44-00102-50	15, 17	58-00743-00	25	62-10387-00	45
44-00102-51	23	58-00848-23	15	62-10395-00	37
44-00102-52	15, 17	58-00848-33	17	62-10530-00	45
44-00102-54	49	58-04184-00	23	62-10530-02	45
44-00102-59	49	58-04266-00	23	65-00131-02	15, 17
44-00102-61	23	58-04267-00	23	66CH1-1002-132	38, 41, 44
44-00317-00	15, 17	58-04268-00	23	66CH1-1002-38	38
44-00317-01	15, 17	58-04316-00	23	66CH1-1002-5	39, 41, 45
44-00352-00	33, 35	58-04402-00	33, 35	66CH1-1022-5	39, 51
44-00362-02	3, 5	58-04433-00	33, 35	66CH1-1092-4	51, 53, 57
44-00362-03	3, 5	58-04493-00	26	66CH1-1172-59	35
44-00388-00	23	58-04503-00	21	66CH1-123-99	19
44-00401-00	33	62-010530-00	45	66CH1-3662-21	38, 41, 45
44-00402-00	7	62-02146-00	37, 45	66U1-1251-3	49, 51, 53, 57
44-01043-05	1	62-02176-00	19	66U1-1571-20	3
44-01043-07	1	62-02669-00	39	66U1-2543-2	19
44-50005-00	3	62-02670-00	51, 57	66U1-2552-124	33, 35
48-00058-01	11	62-02670-01	51, 57	66U1-2823	39, 41, 45
48-00058-02	11	62-02717-04	37	66U1-5321	29
48-00058-04	11	62-02717-05	37	66U1-5321-11	11
48-00058-05	11	62-02785-00	37	66U1-5321-2	3, 38, 41, 44
48-00058-31	11	62-02854-00	37	66U1-5321-3	13, 21, 26, 33, 35, 39, 41, 45
48-00217-04	11	62-02895-00	37	66U1-5321-4	11, 21, 23, 25
48-00309-00	3, 5	62-02896-00	37	66U1-5321-5	9, 27
48-00354-00	7	62-02897-00	37	66U1-5321-7	3, 23, 25, 49, 51, 54, 55, 57
50-00162-04	1, 23	62-02898-00	37		
50-00162-17	31	62-02899-00	37		
50-00204-01	1	62-02899-01	37		
54-00085-00	13	62-02899-02	37		

# PART NUMBER INDEX

PART NO.	PAGE NO.	PART NO.	PAGE NO.	PART NO.	PAGE NO.
66U1-5321-8	51, 53, 57	68-12227-01	3	76-50097-00	39, 41, 45
66U1-5321-9	3, 9	68-12536-00	35	76-50098-00	51, 53
66U1-5331	17	68-12536-01	35	76-50105-00	33, 35
66U1-5331-3	11, 38, 41, 45, 51, 53, 57	68-12539-00	35	76-50110-00	13
66U1-5331-4	38, 41, 44	68-12539-00SV	35	76-50115-00	13
66U1-5331-8	3, 5, 9	68-12830-00	9	77-00603-05	35
66U1-5361-14	23	68-12838-00	27	77-00603-06	33
66U1-5361-25	21, 23, 25, 33, 35, 39, 41, 45, 49, 51, 53, 57	68-12950-00	25	79-01673-00	33, 35
66U1-5361-36	9	68-12973-00	43	79-01673-00SV	33, 35
66U1-5361-38	33, 35	68-12973-01	43	79-01674-02	33
66U1-5361-39	23, 25	68-12996-01	5	79-01701-00	25
66U1-5361-6	23	68-12997-00	5, 7	79-01741-00	35
66U1-5371	3	68-12998-00	5, 7	81-01420-00SV	23
66U1-5371-6	51, 53, 57	68-12998-01	5, 7	81-01540-00	23
66U1-5371-8	26	68-13483-00	33, 35	86-04163-00	51, 54
66U1-6651-15	39, 41, 45, 58	68-13721-01	31	86-04164-00	38
66U1-6811-12	35	68-13733-00	31	86-04165-00	39, 43
66U1-7802	43, 45	68-13946-00	21	86-04165-03	46, 47
66U1-7842-11	55, 57	68-14179-01	57	86-04165-04	43, 47
66U1-7842-5	51, 54, 55	69GC15-1212	3	86-04165-05	47
66U1-7842-6	51, 54, 55, 57	69GC15-1252	3, 9	86-04166-00	51
66U1-7842-7	51, 53, 57	69GC15-1602	3, 5, 7	86-04169-01	33
66U1-8472-5	49, 51, 53, 57	69GC15-172-2	15, 17	86-04169-01SV	33
66U1-8772	39, 43	69GC15-3022	3	86-04169-04	35
66U1-9592-13	39, 41, 45	69GC15-3212	15, 17	86-04169-04SV	35
66U1-9752	39, 41, 45	69GC15-3542	39, 43, 45	86-04172-00	11
66U1-9782	1	69GC15-3812	39, 41, 47	86-04180-00	23
66U2-1391	51, 53	69GC15-492	3	86-04182-00	9
66U2-1391-1	57	69GS4-1582	58	86-04184-00	15
68-12132-00	29, 31	69GS4-1582-1	43, 45	86-04185-00	21
68-12166-00	13	69GS4-1702	37	86-04191-00	25
68-12174-00	9	69GU15-2472	58	86-04197-00	29
68-12187-00	33	69NT35-2692-1	15, 23	86-04230-00	54
68-12187-00SV	33	69NT35-7422	38, 41, 44	86-04231-00	43
68-12227-00	3	69NT41-982-2	51, 53, 57	86-04231-01	46, 47
		73-00160-02	11	86-04231-02	43, 47
		73-00175-01	9	86-04231-03	47
		73-00198-00	9	86-04231-04	47
		74-00226-00	7	86-04272-00	55
		76-00382-00	25	86-04272-01	55
		76-00707-00	3, 5	86-04272-02	55
				86-04272-03	55

# PART NUMBER INDEX

PART NO.	PAGE NO.	PART NO.	PAGE NO.	PART NO.	PAGE NO
86-04273-00	55	91-00300-01	41	AT39JA171	39, 41, 45
86-04273-01	55	91-00300-02	41	AT39QA132	39, 41, 45
86-04288-01	23	91-00300-03	44	AU-11JR-171	57
86-04296-00	23	91-00300-05	44	AU11JR171	13, 15, 21, 23, 25, 26, 29, 33, 35, 39, 41, 45, 49, 51, 53
86-04360-00	23	91-00301-00	53		
86-04445-01	21	91-00301-01	53		
86-04448-00	23	91-00301-02	53		
86-04470-00	25	91-00301-03	53	AU11JR241	11, 21, 27
86-04484-00	57	91-00301-04	53		
86-04485-00	57	91-00338-00	41		
91-00289-00	38	91-00340-00	57		
91-00289-01	38			<b>K</b>	
91-00289-02	38	<b>A</b>		KA69JM824	23
91-00290-00	51	AA06BZ301	11	KA69JM840	26
91-00300-00	41	AT39JA131	39, 41, 45	KK71EW223	39, 41, 45
				KK71GW007	41, 47





A member of the United Technologies Corporation family. Stock symbol UTX  
©2007 Carrier Corporation • Printed in U. S. A. 02/07



**Carrier**

A United Technologies Company

Carrier Transicold Division,  
Carrier Corporation  
Container Products Group  
P.O. Box 4805  
Syracuse, N.Y. 13221 U.S.A

[www.carrier.transicold.com](http://www.carrier.transicold.com)