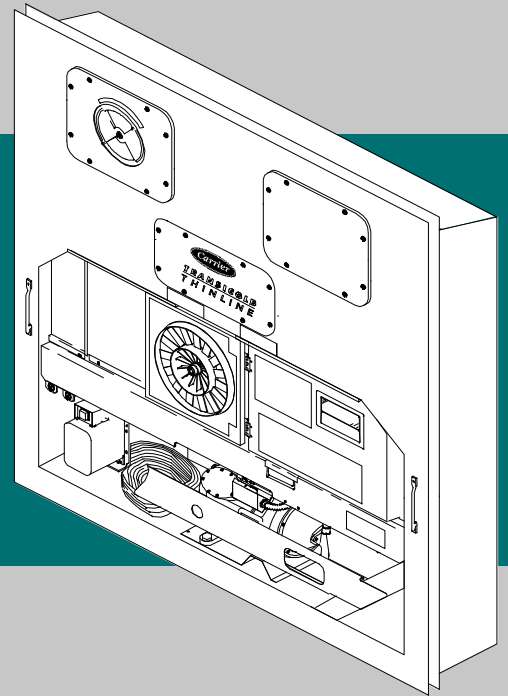
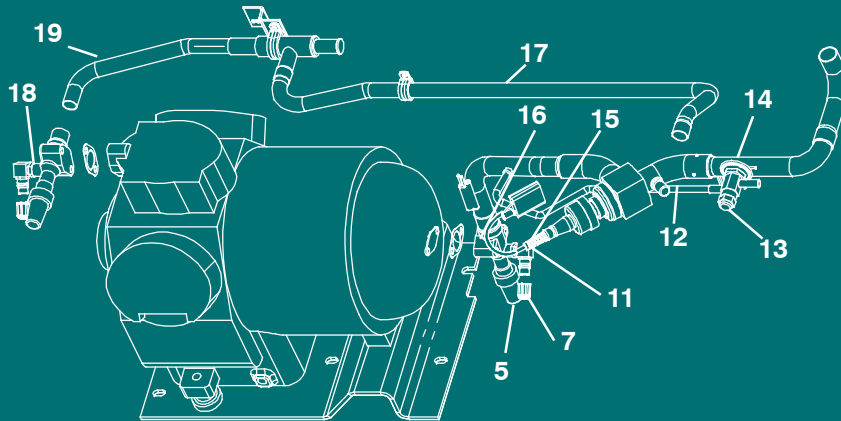




TRANSICOLD
United Technologies

Container Refrigeration



SERVICE PARTS LIST for 69NT40- 541 - 001 to 199 Container Refrigeration Units



SERVICE PARTS LIST CONTAINER REFRIGERATION UNIT

**MODELS
69NT40-541-001 to 199**

TABLE OF CONTENTS

PARAGRAPH NUMBER	Page
INTRODUCTION	iii
CONFIGURATION IDENTIFICATION	iii
OPTION DESCRIPTIONS	iii
1 QUICK LIST - CLAMPS, FILTER-DRIER, FUSE, TY-RAPS, WIRE TERMINALS AND REPLACEMENT UNIT FRAMES	1
2 REFRIGERATION UNIT ASSEMBLY	2
2.1 REFRIGERATION UNIT - AREA LOCATOR	2
2.2 RAIN GUTTERS	4
2.3 HANDLES	4
2.4 THERMOMETER PORT	5
2.5 CONTROL BOX DOOR - LCD AND LED DISPLAYS	6
2.6 CONTROL BOX	8
2.7 CONTROL BOX - STD ELECTRICAL COMPONENTS, RM, HOURMETER & CFS	10
2.8 CONTROL BOX - SINGLE EVAPORATOR FAN CAPABILITY, EBS, ED	12
2.9 CONTROL BOX - CONTROLLER MODULE SECTION AND SOFTWARE CARDS	14
2.10 CONTROL BOX - DISPLAY MODULE AND COMMUNICATIONS INTERFACE MODULE ..	16
2.11 CONDENSER FAN MOTOR AND CONDENSER COIL SECTION	18
2.12 COMPRESSOR TUBING SECTION	20
2.13 RECEIVER SECTION	22
2.14 WATER-COOLED CONDENSER SECTION	24
2.15 SRS AND STS SECTION	26
2.16 THERMOSTATIC EXPANSION VALVE	27
2.17 UPPER FRESH AIR MAKE-UP AND ACCESS PANEL SECTION	28
OPTION 1 EVAPORATOR FAN ACCESS PANEL - PLAIN	28
2.18 LOWER FRESH AIR MAKE-UP VENT	30
2.19 EVAPORATOR FAN ASSEMBLY - CONTROLLED ATMOSPHERE - TRANSFRESH	32
2.20 EVAPORATOR COIL SECTION - REAR PANELS REMOVED	34
2.21 USDA SECTION	36
2.22 BACK PANEL ASSEMBLY - OPTION 1 - ALUMINUM BOLTED	38
2.23 BACK PANEL ASSEMBLY - OPTION 3 - ALUMINUM BOLTED, PROBE ACCESS DOOR ..	40
2.24 BACK PANEL ASSEMBLY - OPTION 4 - ALUMINUM HINGED	42
2.25 BACK PANEL ASSEMBLY - OPTION 5 - STAINLESS STEEL HINGED	44
2.26 ELECTRONIC PARTLOW TEMPERATURE RECORDER (OPTION 7 AND OPTION 8)	46
2.27 NO TEMPERATURE RECORDER (OPTION 9)	46
2.28 COMPRESSOR MOUNTING, GUARD, CRANKCASE HEATER COMPONENTS	48
2.29 COMPRESSOR GAUGES AND TRANSDUCERS	50
2.30 CABLE RESTRAINT COMPONENTS	52
2.32 AUTOTRANSFORMER KIT	56
2.33 LABELS AND DECALS	58

TABLE OF CONTENTS (Continued)

PARAGRAPH NUMBER		Page
3	INTERROGATOR AND ACCESSORIES	60
3.1	DATAREADER	60
3.2	INTERROGATOR RECEPTACLE	62
4	COMPRESSOR ASSEMBLY	64
4.1	OPTION 1R - SERVICE REPLACEMENT COMPRESSOR	65
4.2	TERMINAL MOUNTING AND JUNCTION BOX GROUP	65
4.3	SERVICE VALVE GROUP	65
4.4	COMPRESSOR - MOTOR BODY GROUP	65
4.5	PUMP END GROUP	66
4.6	CRANKSHAFT, ROD AND PISTON GROUP	66
4.7	VALVE PLATE GROUP	67
4.8	GASKET SET	67
5	CONTROLLER/DATACORDER CONFIGURATION	68
6	TOOLS	69

INTRODUCTION

1 INTRODUCTION

The Carrier Transicold model 69NT40-541-001/199 series units are of lightweight aluminum frame construction, designed to fit in the front of a container and serve as the container front wall.

2 CONFIGURATION IDENTIFICATION

Unit identification information is provided on a plate located near the compressor. The plate provides the unit model number, the unit serial number and the unit parts identification number (PID). The model number identifies the overall unit configuration while the PID provides information on specific optional equipment, factory provision to allow for field installation of optional equipment and differences in detailed parts.

Configuration identification for the models covered herein may be obtained on the Container Products Group Information Center by authorized Carrier Transicold Service Centers.

3 OPTION DESCRIPTIONS

Various options may be factory- or field-fitted to the base unit. These options are listed in the tables and described in the following subparagraphs.

3.1 Battery

The refrigeration controller may be fitted with a rechargeable battery pack.

3.2 Dehumidification

The unit may be fitted with a humidity sensor. This sensor allows setting of a humidity set point in the controller. In the dehumidification mode, the controller will operate to reduce internal container moisture level.

3.3 Control Box

The control box is made of a composite material and may be fitted with a lockable door.

3.4 Display Module

The unit may be fitted with a backlit Liquid Crystal Display (LCD) or a Light Emitting Diode (LED) Display.

3.5 Temperature Readout

The unit is fitted with suction and discharge temperature sensors. The sensor readings may be viewed on the controller display.

3.6 Pressure Readout

The unit may be fitted with suction and discharge pressure gauges, suction and discharge transducers or no pressure readout. The transducer readings may be viewed on the controller display.

3.7 USDA

The unit may be supplied with fittings for additional temperature probes which allow recording of USDA Cold Treatment data by the integral DataCORDER function of the Micro-Link refrigeration controller.

3.8 Interrogator

Units that use the DataCORDER function are fitted with interrogator receptacles for connection of equipment to download the recorded data. Two receptacles may be fitted; one is accessible from the front of the container and the other is mounted inside the container (with the USDA receptacles).

3.9 Remote Monitoring

The unit may be fitted with a remote monitoring receptacle. This item allows connection of remote indicators for COOL, DEFROST and IN RANGE. Unless otherwise indicated, the receptacle is mounted at the control box location.

3.10 Communications

The unit may be fitted with a communications interface module. The communications interface module is a slave module which allows communication with a master central monitoring station. The module will respond to communication and return information over the main power line. Refer to the ship master system technical manual for further information.

3.11 Compressor

The unit is fitted with a single speed reciprocating compressor.

3.12 Condenser Coil

The unit is fitted with a 3 row coil using 7mm tubing.

3.13 Autotransformer

An autotransformer may be provided to allow operation on 190/230, 3 phase, 50/60 hertz power. The autotransformer raises the supply voltage to the nominal 380/460 volt power required by the base unit. The autotransformer may also be fitted with an individual circuit breaker for the 230 volt power.

3.14 Temperature Recorder

Units may be fitted with an electronic temperature recording device manufactured by Partlow Corporation.

3.15 Gutters

Rain gutters may be fitted over the control box and recorder section to divert rain away from the controls. The various gutters available include standard length bolted gutters, extended length gutters and riveted gutters.

3.16 Handles

The unit may be equipped with handles to facilitate access to stacked containers. These handles may include fixed handles (located at the sides of the unit) and/or a hinged handle at the center (attached to the condenser coil cover).

3.17 Thermometer Port

The unit may be fitted with ports in the front of the frame for insertion of a thermometer to measure supply and/or return air temperature. If fitted, the port(s) will require a cap and chain.

3.18 Water Cooling

The refrigeration system may be fitted with a water cooled condenser. The condenser is constructed using copper-nickel tube for sea water applications. The water cooled condenser is in series with the air cooled condenser replaces the standard unit receiver. When operating on the water cooled condenser, the condenser fan is deactivated by either a water pressure switch or condenser fan switch.

3.19 Back Panels

Back panel designs that may be fitted include panels of aluminum and stainless steel. Panels may be fitted with access doors and/or hinge mounting.

3.20 460 Volt Cable

Various power cable and plug designs are available for the main 460 volt supply. The plug options tailor the cables to each customers requirements.

3.21 230 Volt Cable

Units equipped with an autotransformer require an additional power cable for connection to the 230 volt source. Various power cable and plug designs are available. The plug options tailor the cables to each customers requirements.

3.22 Cable Restraint

Various designs are available for storage of the power cables. These options are variations of the compressor section front cover.

3.23 Upper Air (Fresh Air Make Up)

The unit may be fitted with an upper fresh air makeup assembly. The fresh air makeup assembly is available with a vent positioning sensor (VPS) and may also be fitted with screens.

3.24 Lower Air (Fresh Air Make Up)

The unit may be fitted with a lower fresh air makeup assembly. The fresh air makeup assembly is available with a vent positioning sensor (VPS) and may also be fitted with screens.

3.25 Arctic Mode

To improve operation in cold ambients, the unit may be fitted with a crankcase heater. The crankcase heater is operated, before start-up, to warm the compressor oil and boil off any liquid refrigerant that may be present in the crankcase.

3.26 Power Correction

The unit may be fitted with a set of power factor correction capacitors to assist in correction of imbalance in current draw by the compressor.

3.27 Evaporator

Evaporator section options include a hermetic thermal expansion valve and two sizes of heat exchangers.

3.28 Evaporator Fan Operation

Two evaporator fan motor operation systems are available. On units with normal evaporator fan operation, opening of an evaporator fan internal protector will shut down the unit. On units equipped with single evaporator fan capability, additional contactors are installed to allow the unit to continue to operate on a single fan.

3.29 Labels

Operating Instruction and Function Code listing labels differ, depending on the options installed. For example, additional operating instructions are required to describe start-up of a unit equipped with an autotransformer. Labels available with additional languages are listed in the parts list.

3.30 Plate Set

Each unit is equipped with a tethered set of wiring schematic and wiring diagram plates. The plate sets are ordered using a seven digit base part number and a two digit dash number.

3.31 Controller

Replacement controllers may be ordered as a universal un-configured controller (without configuration software) or configured.

3.32 Condenser Grille

Two styles of condenser grilles are available: direct bolted grilles and hinged grilles.

3.33 Emergency Bypass

The unit may be equipped with switches to allow emergency bypass of the controller. The Emergency Bypass switch functions to bypass the controller in the event of controller failure.

OPTION LEGEND

General	
-	Feature Not Applicable
X	Features that apply to model
P	Factory Installation of Equipment to Allow Field Installation
Arctic Mode Codes	
C	Crankcase Heater
AutoTransformer Codes	
1	Transformer Fitted
2	Transformer With CB2 Fitted
3	Transformer With CB2 and Receptacle
4	Transformer With CB2 and Transformer Bridging Unit
Back Panel Codes	
1	Bolted Panels
2	Bolted Panels With USDA Door
4	Hinged Panels
5	Hinged Stainless Steel Panels
Battery Codes	
R	Rechargeable Cells
Cable Restraint Codes	
1	Cable Door
2	Left Bungy Cord Only
3	J- Hook
4	Left and Right Bungy Cord
5	Left Bungy Cord With Left Extended Guard
6	Left & Right Bungy Cords With Extended Guards
Communications Codes	
2	High Data Rate
4	Low Data Rate
Compressor Codes	
1R	Single Speed Reciprocating
Condenser Grille Codes	
B	Bolted Grille
H	Hinged Grille
Condenser/Receiver Codes	
3	Three Row (7mm) Coil
Control Box Codes	
C	Composite Box Without Door Lock
CL	Composite Box With Door Lock

Display Module Codes	
1	LCD Display
2	LED Display
Emergency Bypass Codes	
B	Emergency Bypass & Emergency Defrost
EB	Emergency Bypass Only
Evaporator Codes	
5	Coil With Hermetic TXV & Standard Heat Exchanger (6 Heaters)
6	Coil With Hermetic TXV & Large Heat Exchanger (6 Heaters)
Evaporator Fan Codes	
1	Normal Evaporator Fan Operation
2	Single Evaporator Fan Operation Capability
Gutter Codes	
1	Standard Length Bolted Gutters
3	Extended Length Gutters
4	Riveted Gutters
Handle Codes	
1	Two Side and One Center
2	Two Side
3	One Center
4	One Right Side and Two Center
Interrogator Codes	
1	Left Straight Mount
2	Right Straight Mount
3	Box Mount
4	Left Mount
5	Left Angled Mount
6	Right Mount
Label Codes	
1	English
2	English / Spanish
3	English / French
4	English / Korean
5	English / Traditional Chinese
6	English / Simplified Chinese
7	English / Japanese / Chinese
8	English/German

Lower Air Codes	
1	No Lower Fresh Air
2	Lower Fresh Air Installed
3	Lower Fresh Air With USDA Screen Installed
4	Lower Fresh Air Installed with Vent Position Sensor (VPS)
Pressure Readout Codes	
G	Factory Installed Pressure Gauges
T	Factory Installed Pressure Transducers
SG	Factory Installed Suction Pressure Gauge
Thermometer Port Codes	
1	Supply Air Port
2	Return Air Port
B	Both Ports
Temperature Recorder Codes	
7	Standard Electronic Partlow
8	Special Electronic Partlow
9	No Temperature Recorder
10	Electronic Partlow (Both)
Water Cooling Codes	
W	Water Pressure Switch
F	Condenser Fan Switch
Upper Air Codes	
1	No Upper Fresh Air
2	Upper Fresh Air Installed
3	Upper Fresh Air Installed With USDA Screen
4	Upper Fresh Air Installed with Vent Position Sensor (VPS)

USDA/Cable Codes	
D/-	Option D Only
V/-	Option V Only
D/1	Option V/Option 1
V/1	Option V/Option 1
D/2	Option V/Option 2
V/2	Option V/Option 2
230 Volt Cable Codes	
1	Option 1
2	Option 2
3	Option 3
4	Option 4
5	Option 5
6	Option 6
7	Option 7
8	Option 8
9	Option 9
460 Volt Cable Codes	
1	Option 1
2	Option 2
3	Option 3
4	Option 4
5	Option 5
6	Option 6
7	Option 7
8	Option 8
9	Option 9
10	Option 10

Ordering Instructions

All orders and inquiries for parts must include: Parts Identification Number (**PID**), Model Number, Unit Serial Number, Part Number, Description of part as shown on list and Quantity required. Address all correspondence for parts to the following address:

CARRIER TRANSICOLD DIVISION
 Replacement Components Group, TR-20
 P.O. Box 4805, Syracuse, New York 13221
 or FAX to: (315) 432-3778

Letter Designations

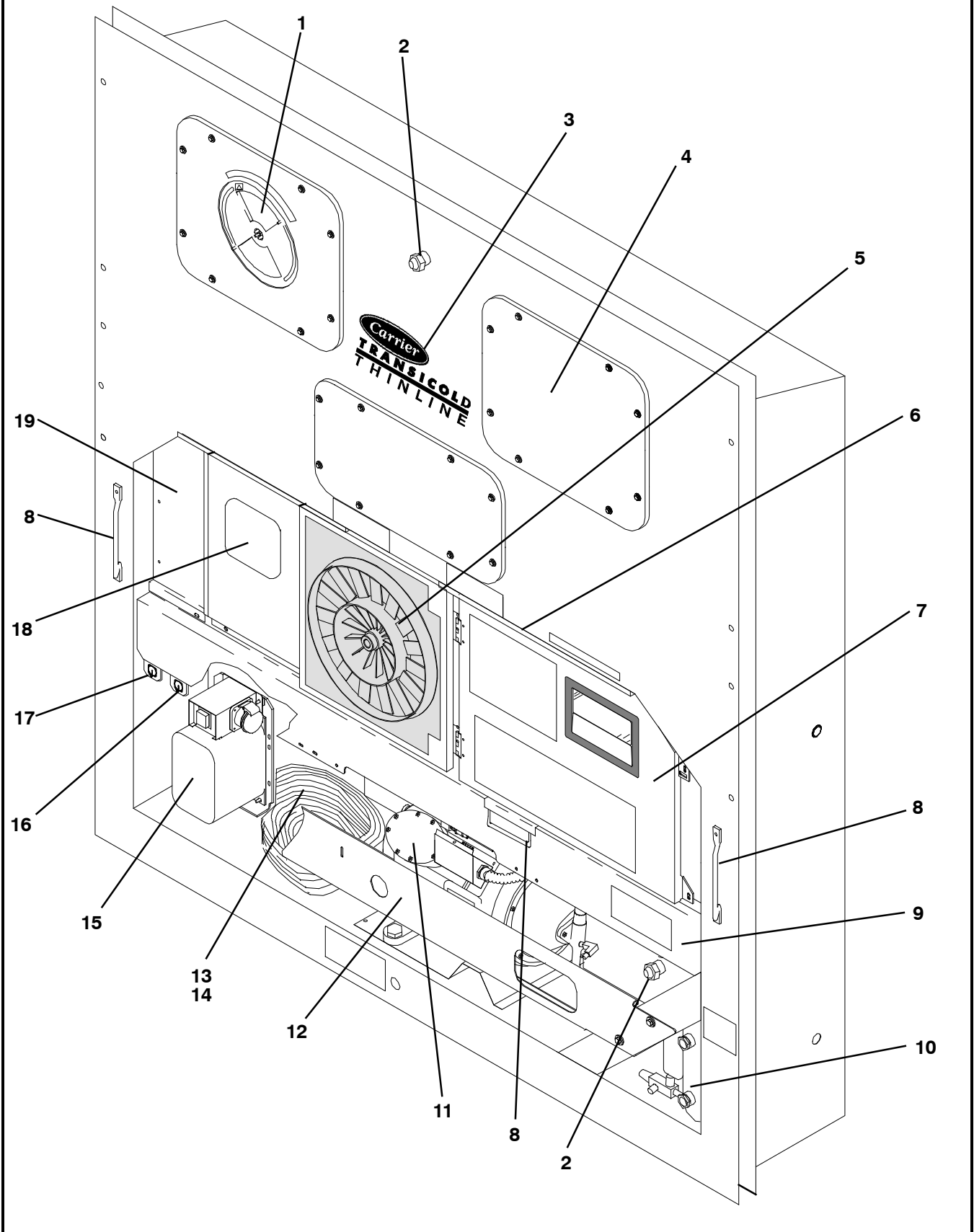
The following letter designations are used to classify parts throughout this list:

- A/R = *As Required*
- N/A = *Not Available*
- NS = *Not shown in illustration*
- NSS = *Not sold separately - Order next higher assembly or kit*
- PID = *Parts Identification Number - essential to identify unit configuration.*
- PL = *Purchase Locally*
- SST = *Stainless Steel - 300 Series unless otherwise specified.*
- SV = *Suffix SV - added to part number designates service replacement part.*

1 QUICK LIST - CLAMPS, FILTER-DRIER, FUSE, TY-RAPS, WIRE TERMINALS AND REPLACEMENT UNIT FRAMES	
PART NO.	DESCRIPTION
34-00373-51	Clamp, Tube, 1/4 - SST
34-00373-53	Clamp, Tube, 3/8 - SST
34-00373-05	Clamp, Tube, 1/2 - SST
34-00373-07	Clamp, Tube, 5/8 - SST
34-00373-59	Clamp, Tube, 3/4 - SST
34-00373-11	Clamp, Tube, 7/8 - SST
34-00373-65	Clamp, Tube, 1-1/8 - SST
34-00373-88	Clamp, Tube, 1-1/4 - SST
34-00373-69	Clamp, Tube, 1-3/8 - SST
34-00373-71	Clamp, Tube, 1-1/2 - SST
22-00066-01	Connector, Butt End, Wire Range - 22 to 16 AWG
22-00066-02	Connector, Butt End, Wire Range - 16 to 14 AWG
22-00066-03	Connector, Butt End, Wire Range - 12 to 10 AWG
22-00041-00	Connector, Closed End, Wire Range - 22 to 14 AWG
22-00041-02	Connector, Closed End, Wire Range - 18 to 10 AWG
14-00311-02SV	Filter-Drier
22-02336-02	Fuse, 5 Amp (F1, F2, & FEB)
22-02336-04	Fuse, 10 Amp (FEB)
22-02336-08	Fuse, 7.5 Amp (F3A & F3B)
22-01140-01	Ring Terminal, #6, Wire Range - 12 to 10 AWG
22-01140-02	Ring Terminal, #10, Wire Range - 12 to 10 AWG
22-01140-04	Ring Terminal, 3/8, Wire Range - 12 to 10 AWG
22-00120-04	Ring Terminal, #10, Wire Range - 16 to 14 AWG
22-00120-07	Ring Terminal, 5/16, Wire Range - 16 to 14 AWG
22-00121-07	Ring Terminal, #10, Wire Range - 22 to 16 AWG
22-01139-04	Ring Terminal, 3/8, Wire Range - 16 to 14 AWG
22-01141-01	Spade Terminal, 1/4 x 5/16, Wire Range - 16 to 14 AWG
22-00595-01	Spade Terminal, 3/8, Wire Range - 12 to 10 AWG
22-01106-00	Spiral Wrap, 1/4 Diameter x 25 ft. lg.
22-01107-00	Spiral Wrap, 1/2 Diameter x 25 ft. lg.
66U1-3803	Tube, Heat Shrink, 1/4 ID x 2-1/8 lg.
66U1-3803-1	Tube, Heat Shrink, 1/2 ID x 2-3/4 lg.
44-01043-05	Ty-Raps, 5-1/2 inches lg.
44-01043-07	Ty-Raps, 11.00 inches lg.
22-50007 Series	Wire Markers
07-00345-00	Sealant, Pipe (Used to seal fittings on unit with R-134a)
07-00313-00	Cleaner, Coil
76-00397-00	Paint, Compressor Touch-Up, Blue
69NT-43-468	Unit Frame , Service Replacement
69NT-43-468-1	Contact Carrier Replacement Components Group for application

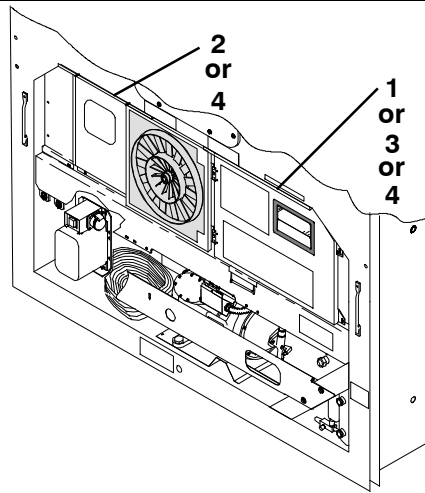
2 REFRIGERATION UNIT ASSEMBLY

2.1 REFRIGERATION UNIT - AREA LOCATOR



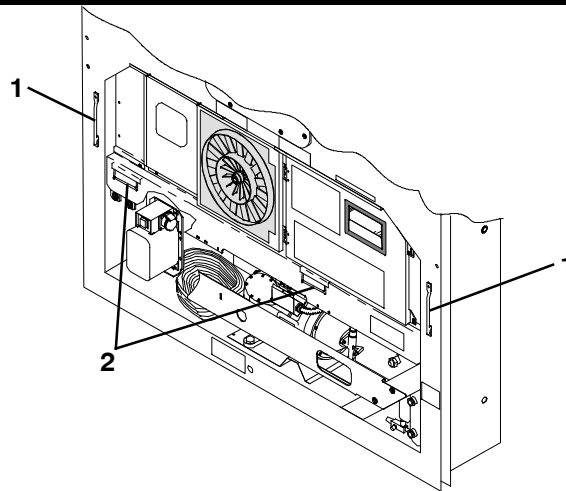
2.1 REFRIGERATION UNIT - AREA LOCATOR (Continued)		
Item	Section Number	Area Description
1	Refer to Section 2.17	Upper Fresh Air Makeup & Access Panels
2	Refer to Section 2.4	Thermometer Port
3	Refer to Section 2.33	Labels and Decals
4	Refer to Section 2.19	Evaporator Fan Assembly
5	Refer to Section 2.11	Motor, Condenser Fan
6	Refer to Section 2.2	Rain Gutters
7	Refer to Section 2.5 - 2.10	Box, Control
8	Refer to Section 2.3	Handles
9	Refer to Section 2.11	Coil, Condenser
10	Refer to Section 2.13 or 2.14	Receiver or Water-Cooled Condenser
11	Refer to Sections 2.28 or 4	Compressor
12	Refer to Section 2.28	Guard, Compressor
13	Refer to Section 2.31	Cable, Power
14	Refer to Section 2.31	Plug, Power
15	Refer to Section 2.32	Autotransformer
16	Refer to Section 2.19	Transfresh
17	Refer to Section 3	Interrogator and Accessories
18	Refer to Section 2.27	Temperature Recorder
19	Refer to Section 2.18	Lower Fresh Air Makeup

2.2 RAIN GUTTERS



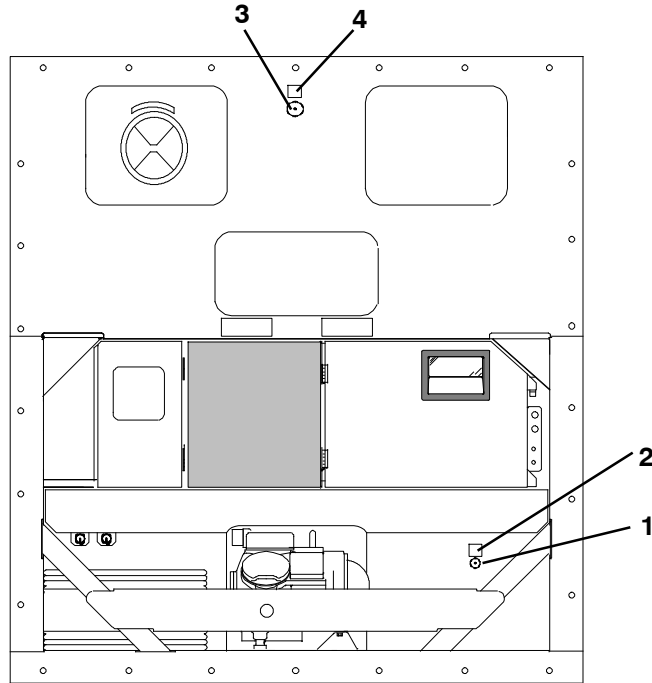
Item	Part Number	Description	Qty
OPTION 1 - STANDARD LENGTH - BOLTED			
1	69NT35-3987	Gutter, Rain (Bolted, Standard - Right Side)	1
2	69NT35-3997-1	Gutter, Rain (Bolted, Standard & Extended Length - Left Side)	1
OPTION 3 - EXTENDED LENGTH - BOLTED			
2	69NT35-3997-1	Gutter, Rain (Bolted, Standard & Extended Length - Left Side)	1
3	69NT35-8548	Gutter, Rain (Bolted - Right Side)	1
OPTION 4 - RIVETED			
4	68-12417-00	Gutter, Rain (Riveted - Right and Left Side)	2

2.3 HANDLES



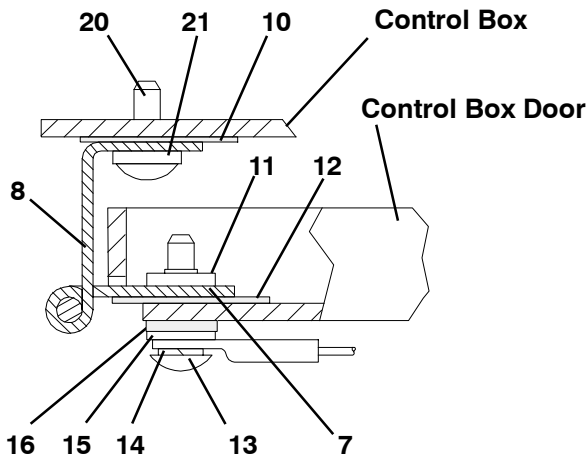
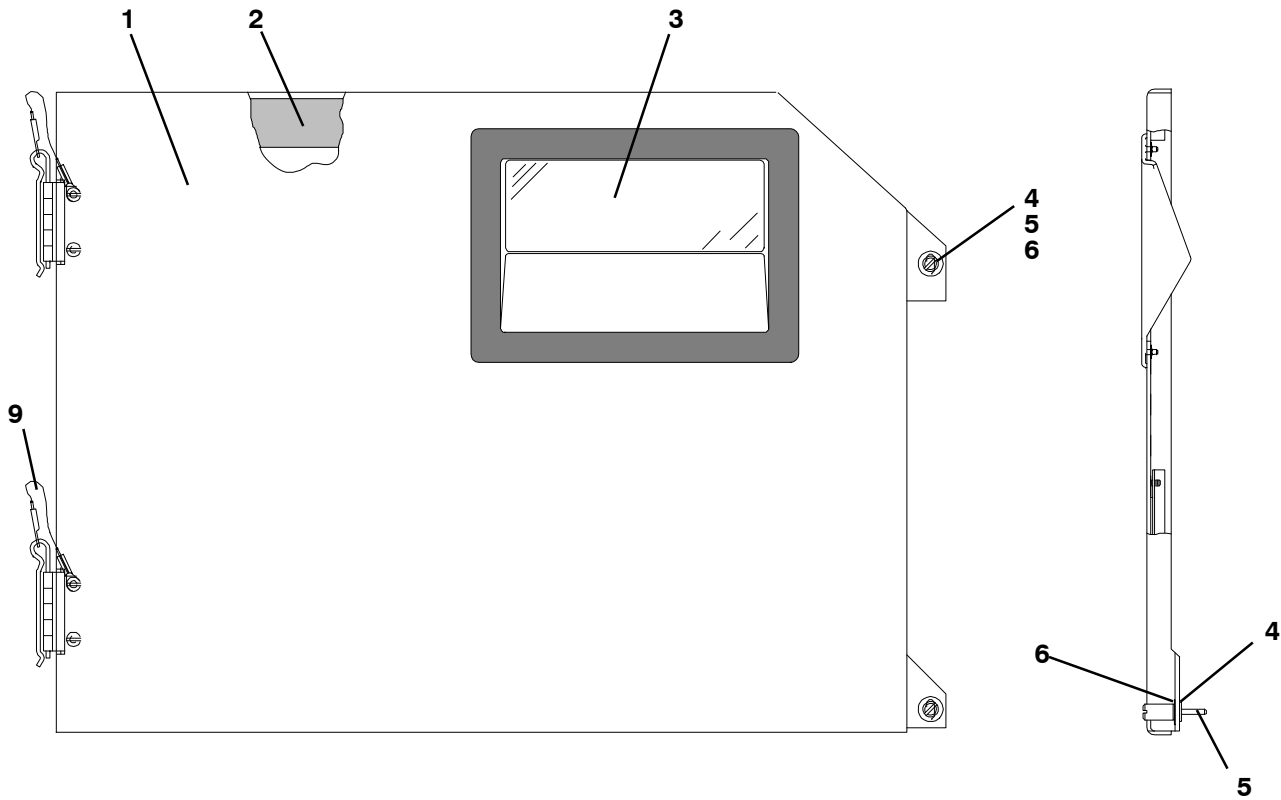
Item	Part Number	Description	Qty
OPTION 1 - TWO SIDE, ONE CENTER			
1	69NT35-8113	Handle, Fixed	2
2	69NT40-657-2	Handle, Hinged	1
OPTION 2 - TWO SIDE			
1	69NT35-8113	Handle, Fixed	2
OPTION 3 - ONE CENTER			
2	69NT40-657-2	Handle, Hinged	1
OPTION 4 - ONE RIGHT SIDE AND TWO CENTER			
1	69NT35-8113	Handle, Fixed	1
2	69NT40-657-2	Handle, Hinged	2

2.4 THERMOMETER PORT

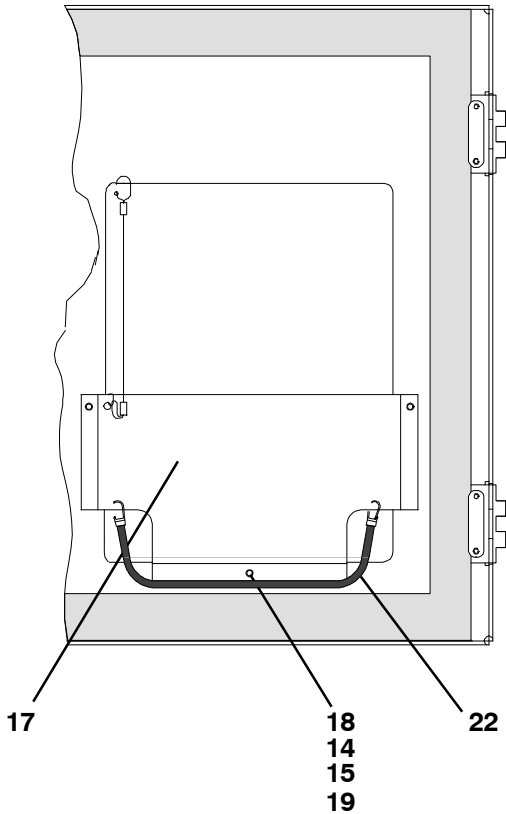


Item	Part Number	Description	Qty
OPTION 1 - SUPPLY AIR PORT			
1	66U1-8662	Cap & Chain Assembly	1
2	62-10557-00	Label	1
OPTION 2 - RETURN AIR PORT			
3	66U1-8662	Cap & Chain Assembly	1
4	62-10557-00	Label	1
OPTION B - SUPPLY AND RETURN PORTS			
1 & 3	66U1-8662	Cap & Chain Assembly	2
2 & 4	62-10557-00	Label	2

2.5 CONTROL BOX DOOR - LCD AND LED DISPLAYS



HINGE ASSEMBLY - SECTIONAL VIEW

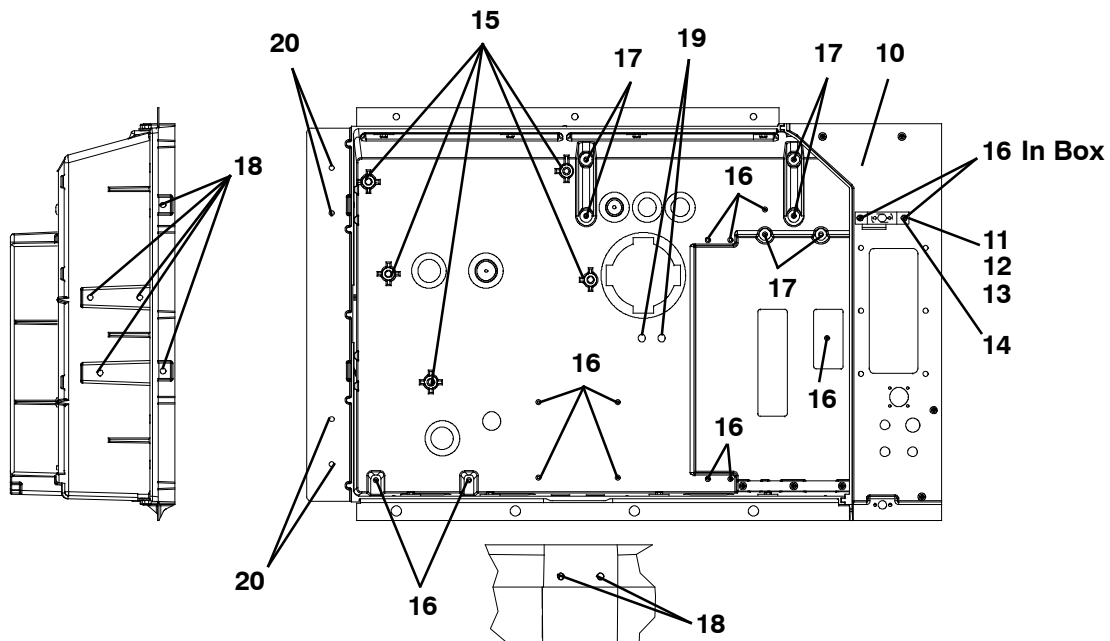
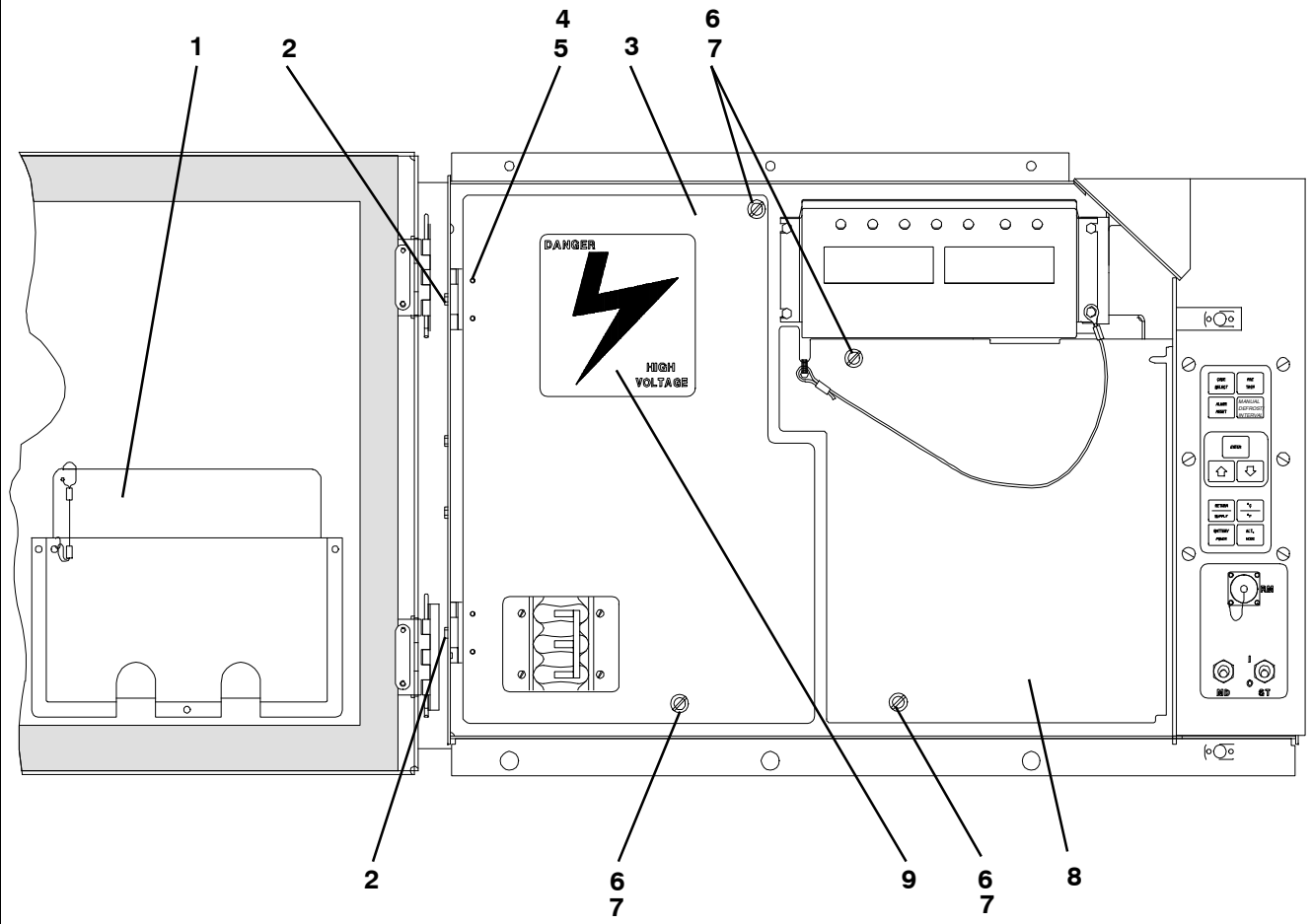


DOOR ASSEMBLY - PARTIAL BACK VIEW

2.5 CONTROL BOX DOOR - LCD AND LED DISPLAYS (Continued)

Item	Part Number	Description	Qty
OPTION 1, LCD DISPLAY			
1	69NT42-688-7	Door Assembly , LCD Display, Includes:	1
2	42-00270-02	Gasket, Door	1
3	58-04366-00SV	Window and Gasket Assembly, Control Box Door - Lexan	1
4	34-06169-00	Washer, Retaining - SST	2
5	66U1-6811-8	Screw, Retaining, Panel, 0.300-0.625 - SST	2
	66U1-6811-15	Screw, Retaining, Wing, 0.300-0.625 - SST	2
6	34-06053-00	Washer, Mylar, 0.250 ID x 0.800 OD	4
7	44-00300-01	Hinge, Half	1
8	44-00300-02	Hinge, Half	1
9	44-00300-03	Pin Assembly, with Tether	1
10	58-04101-01	Protector, Mylar (Hinge) (Not Needed with Composite Box)	2
11	34-01167-01	Retainer, Nut	2
12	58-04101-00	Protector, Mylar (Hinge)	2
13	66U1-2403-1	Screw, Truss Head, #10-24 x 3/4 lg. - SST	4
14	66U1-5331-3	Washer, Lock, #10 - SST	7
15	66U1-5321-8	Washer, Flat, #10 - SST	7
16	34-06053-05	Washer, Mylar, 0.205 ID x 0.600 OD	4
17	68-13577-00	Pocket, Placard	1
18	34-00665-09	Locknut, Hex Head, #10-24 - SST	3
19	34-06107-00	Rivet, Blind, 1/8 Diameter, Grip Range - 0.188-0.250	3
20	66U1-5371-7	Screw, #10-24 x 1/2 lg. - SST	4
21	66U1-5321-8	Washer, Flat, #10 - SST	4
22	58-04346-00	Door Strap Kit	1
OPTION 2, LED DISPLAY			
1	79-01911-00	Door Assembly , LED Display, Includes:	1
2	42-00270-02	Gasket, Door	1
3	69NT35-5022-6	Window	1
	42-00611-00	Foam, Double Coated	1
4	34-06169-00	Washer, Retaining - SST	2
5	66U1-6811-8	Screw, Retaining, Panel, 0.300-0.625 - SST	2
	66U1-6811-15	Screw, Retaining, Wing, 0.300-0.625 - SST	2
7	44-00300-01	Hinge, Half	1
8	44-00300-02	Hinge, Half	1
9	44-00300-03	Pin Assembly, with Tether	1
11	34-01167-01	Retainer, Nut	2
13	66U1-2403-1	Screw, Truss Head, #10-24 x 3/4 lg. - SST	4
14	34-00663-09	Washer, Lock, #10 - SST	4
15	66U1-5321-8	Washer, Flat, #10 - SST	4
16	34-06053-05	Washer, Mylar, 0.205 ID x 0.600 OD	4
17	58-04389-00	Pocket, Placard	1
18	34-00795-09	Locknut, Hex Head, #10-24 - SST	6
19	34-06107-00	Rivet, Blind, 1/8 Diameter, Grip Range - 0.188-0.250	3
21	66U1-5321-8	Washer, Flat, #10 - SST	4

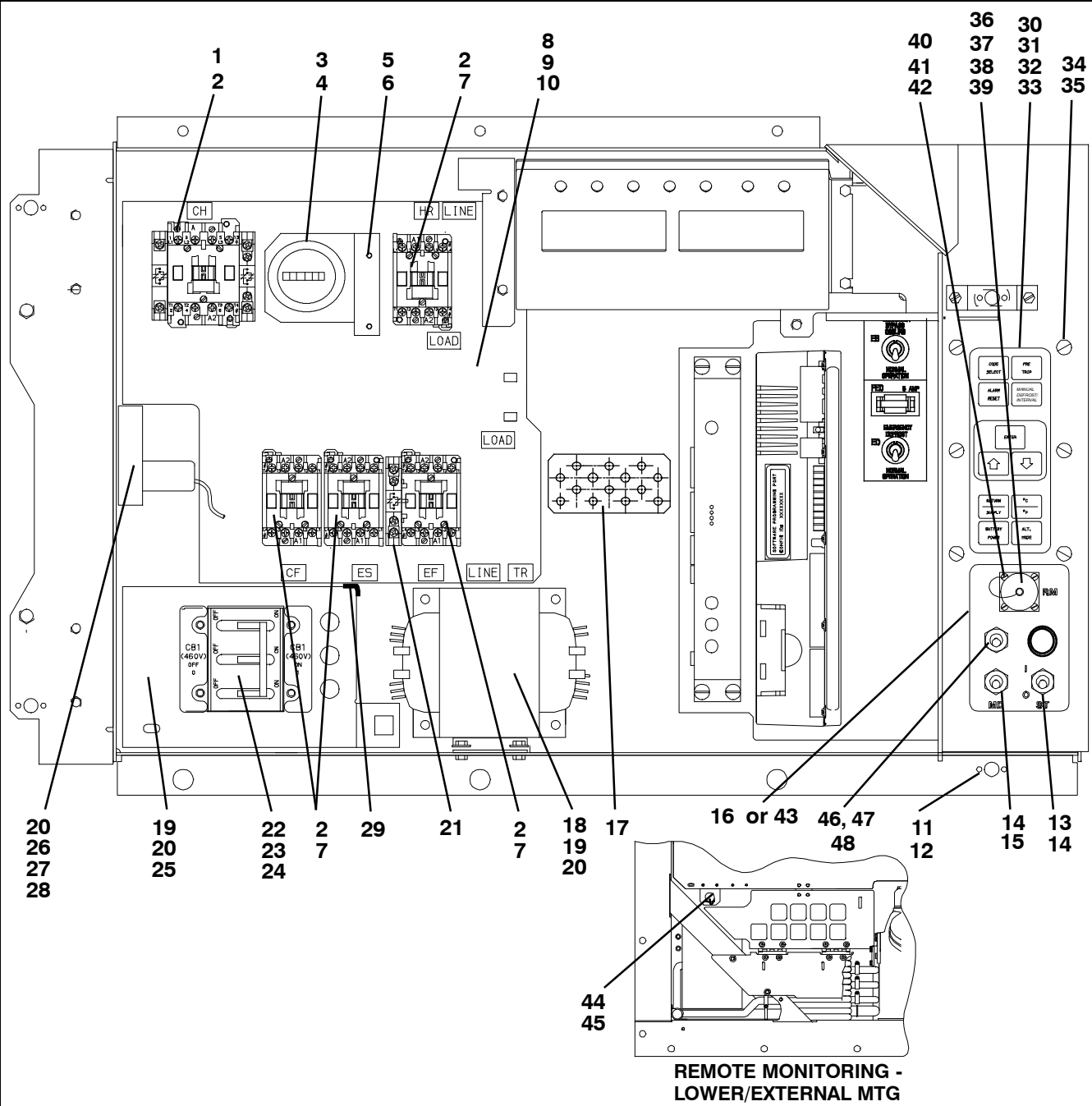
2.6 CONTROL BOX



OPTION C & CL - COMPOSITE BOX

2.6 CONTROL BOX (Continued)			
Item	Part Number	Description	Qty
1	-	Plate, Schematic & Diagram (Container Unit Matrix)	1
2	66U1-2403	Screw, Truss Head, #10-24 x 1/2 lg. - SST	2
3	69NT43-125-1	Shield, High Voltage (Plastic) - Includes:	1
4	44-00343-00	Hinge	2
5	34-00928-02	Rivet, Blind, 1/8 Diameter, Grip Range - 1/8-3/16 - SST	4
6	34-50015-00	Stud & Retainer Package - Includes:	4
NS	NSS	Stud, Fastener	1
NS	NSS	Retainer, Fastener Stud	1
7	34-06139-03	Receptacle	4
8	69NT43-124-4SV	Shield, Low Voltage (Lexan) - With Tether	1
9	62-03957-02	Label, Danger-High Voltage	1
OPTION C & CL - COMPOSITE CONTROL BOX			
10	58-04668-00	Control Box, Replacement for Standard Composite	1
11	69NT35-6272	Bracket, Non-Locking	1
	69NT35-2287	Bracket, Locking (See Note 3)	1
12	34-01142-01	Receptacle, Retaining	1
13	34-00928-01	Rivet, Blind, 1/8 Diameter, Grip Range - 1/16 - 1/8	2
	34-00928-02	Rivet, Blind, 1/8 Diameter, Grip Range - 1/18 - 3/16 (See Note 4)	2
14	66U1-2403	Screw, Truss Head, #10-24 x 1/2 lg. - SST	2
NS	76-00724-00SV	Crack, Chip and Hole Repair Kit	1
NS	76-50084-00SV	Insert Repair Kit - Includes:	1
15	34-06231-01	Insert - 17.53 x 9.91 mm (.690 x .390 in) 1/4-20 Threads - NSS	10
16	34-06231-03	Insert - 15.88 x 6.35 mm (.625 x .250 in) 10-24 Threads - NSS	10
17	34-06231-04	Insert - 25.15 x 7.54 mm (.990 x .297 in) 10-24 Threads - NSS	10
18	34-06231-05	Insert - 10.16 x 9.53 mm (.400 x .375 in) 10-24 Threads - NSS	10
19	34-06231-06	Insert - 12.70 x 9.91 mm (.500 x .390 in) 1/4-20 Threads - NSS	10
20	34-06231-07	Insert - 9.53 x 6.76 mm (.375 x .266 in) 10-24Threads - NSS	10
NS	02-00082-00	Durabond Epoxy - NSS	1
NS	07-00390-00	Static Mixing Tube - NSS	1
NS	07-00391-00	Application Gun - Required for Insert Repair	1
NOTES			
3. The bracket is bolted to the control box - order 69NT35-2287 for locking bracket.			
4. When 69NT35-2287 is used, 34-00928-02, rivet, is to be used in the upper door location.			

2.7 CONTROL BOX - SHIELDS REMOVED, STD ELECTRICAL COMPONENTS, RM, HOURMETER & CFS



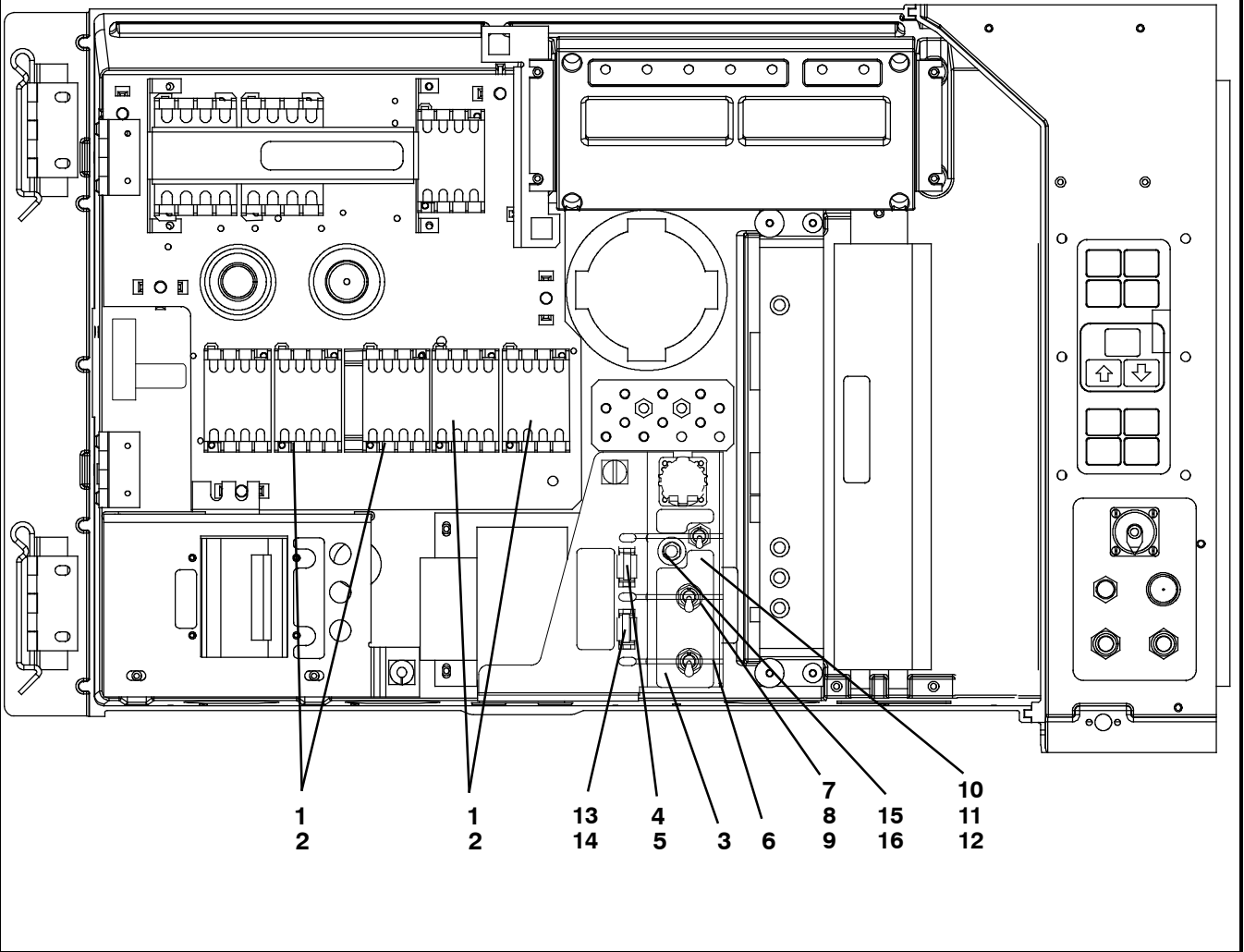
HOURMETER

Item	Part Number	Description	Qty
1	10-00431-07	Contactora, Compressor (CH) (30 Amp)	1
2	34-06243-00	Screw, Pan Head, (Thread Cutting) #8-32 x 3/4 lg. - SST	10
3	66U1-3823	Hourmeter	1
4	66U1-6651-15	Screw, Pan Head, #4-40 x 3/4 lg. - SST	3
5	68-12496-00	Bracket, Hourmeter	1
6	66U1-5381	Screw, Hex Head, #10-24 x .50 lg. - SST	2
7	10-00431-06	Contactora, (CF), (HR) & (EF & ES) (12 Amp)	4
8	68-13427-00SV	Panel, Contactora - Includes:	1
9	58-00967-00	Spacer (Used with sheet metal control box only)	5
10	34-00655-08	Screw, Hex Head, 1/4-20 x 1.00 lg. - SST	4

2.7 CONTROL BOX - SHIELDS REMOVED, STANDARD ELECTRICAL COMPONENTS (Continued)

Item	Part Number	Description	Qty
11	34-00928-01	Rivet, Blind, 1/8 Diameter, Grip Range - 1/16 - 1/8	6
12	34-01142-01	Receptacle	1
13	10-01129-07 SV	Switch, Toggle (On-Off)	1
14	66U1-9752	Seal, Bushing	1
15	10-01129-10	Switch, Toggle (MDS) (if equipped)	1
16	58-04145-01	Plate, Switch	A/R
	68-14796-00	Plate, Switch (Start Only) NT-1200 and Up	A/R
	68-14796-02	Plate, Switch (Start and Defrost LED), NT-1200 and Up	A/R
	68-14796-05	Plate, Switch (Start and MDS), NT-1200 and Up	A/R
17	69NT41-982-3	Plate, Ground	1
18	10-00332-21SV	Transformer, Base Unit	1
19	66U1-5371-7	Screw, Hex Head, #10-24 x 1/2 lg. - SST	A/R
20	66U1-5321-8	Washer, Flat, #10 - SST	A/R
21	10-00431-02	Contact, Auxiliary	1
22	34-00663-07	Washer, Lock, #6 - SST	4
23	66U1-7842-13	Circuit Breaker - 460 vac, 25 Amp, (CB1)	1
24	66U1-6651-4	Screw, Pan Head, #6-32 x 3/8 lg. - SST	4
25	69NT35-6278	Bracket, Circuit Breaker	1
26	10-00439-02	Transformer, Current Sensing (CS)	1
27	66U1-5371-10	Screw, Hex Head, #10-24 x 1.00 lg. - SST	2
28	66U1-5321-8	Washer, Flat, #10 - SST	2
29	66CH1-1172-46	Trim, Flexible (85 Feet Long, Cut to Length)	A/R
30	79-01706-05SV	Pad, Key - Includes:	1
31	NSS	Gasket (Between Key Pad Plate Assembly and Connector)	1
32	NSS	Gasket (Between Key Pad and Key Pad Plate Assembly)	1
33	NSS	Plate Assembly, Key Pad Mounting	1
34	34-06227-00	Screw, Pan Head, #10-24 X 3/4 lg. - SST (Use with Composite Box)	6
	66U1-2403	Screw, Pan Head, #10-24 X 3/4 lg. - SST (Use with Aluminum Box)	6
35	34-06053-05	Washer, Mylar, 0.205 ID x 0.600 OD	6
REMOTE MONITORING (STANDARD LOCATION)			
36	22-02341-00	Receptacle, Remote Monitoring (RM)	1
37	22-02368-00	Plug, Remote Monitoring	1
38	22-02341-01	Cap and Tether, Receptacle Assembly	1
39	66U1-6835	Gasket, Remote Monitoring Receptacle	1
40	34-00848-10	Screw, Round Head, #4-40 x 5/8 lg. - SST	4
41	66U1-5321-6	Washer, Flat, 0.125 ID - SST	4
42	34-00667-05	Nut, Self Locking, #4-40 - SST	4
43	58-04145-00	Plate, Switch, with RM	A/R
	68-14796-03	Plate, Switch, with RM NT-1200 and up	A/R
	68-14796-06	Plate, Switch with RM and MDS, NT-1200 and Up	A/R
REMOTE MONITORING (LOWER LEFT/EXTERNAL LOCATION)			
44	22-01889-00	Receptacle, Remote Monitoring (RM)	1
45	69NT40-222	Bracket	1
OPTION F - CONDENSER FAN SWITCH			
46	10-00298-01	Switch, Toggle (CFS)	1
47	66U1-9752	Seal, Bushing	1
48	58-04145-06	Plate, Switch (with extra switch location)	1

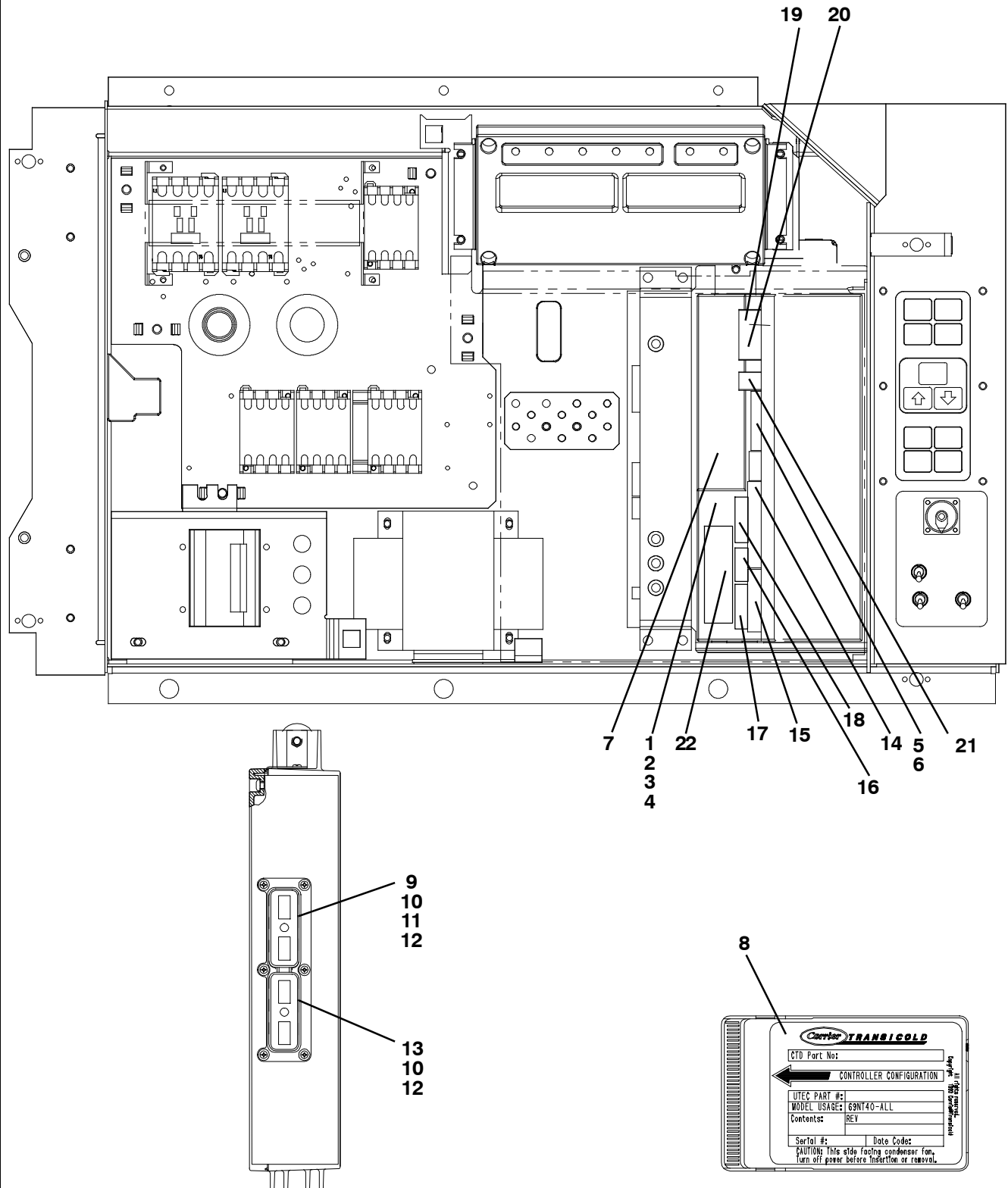
2.8 CONTROL BOX - SINGLE EVAPORATOR FAN CAPABILITY, EBS, ED



2.8 CONTROL BOX - SINGLE EVAPORATOR FAN CAPABILITY, EBS, ED (Continued)

Item	Part Number	Description	Qty
SINGLE EVAPORATOR FAN CAPABILITY			
1	34-06243-00	Screw, Pan Head, Thread Cutting #8-32 x 3/4 lg. - SST	8
2	10-00431-06	Contactora, (E2 & S2) & (E1 & S1) (12 Amp)	4
EMERGENCY BYPASS (EBS)			
3	10-00446-00	Emergency Bypass Module	1
4	22-02336-04	Fuse, 10 Amp (FEB)	1
5	22-01455-03	Fuse Holder	1
6	66U1-5371-10	Wire Tire	3
EMERGENCY DEFROST (ED)			
7	68-14796-05	Plate, Switch (with light location, with RM)	A/R
8	10-01129-07	Switch, Toggle	2
9	68-12544-01	Bracket	1
10	34-06223-00	Screw, Captive Washer, #10-24 X .56 lg. - SST	2
11	10-01129-20	Hex Nut	2
12	66U1-9752	Seal, Bushing	2
13	22-01455-02	Holder Assembly, Fuse	1
14	22-02336-02	Fuse, 5 Amp (FED)	1
15	62-02874-01	Label, EB and ED	1
16	22-00518-01	Base, Pilot Light	1

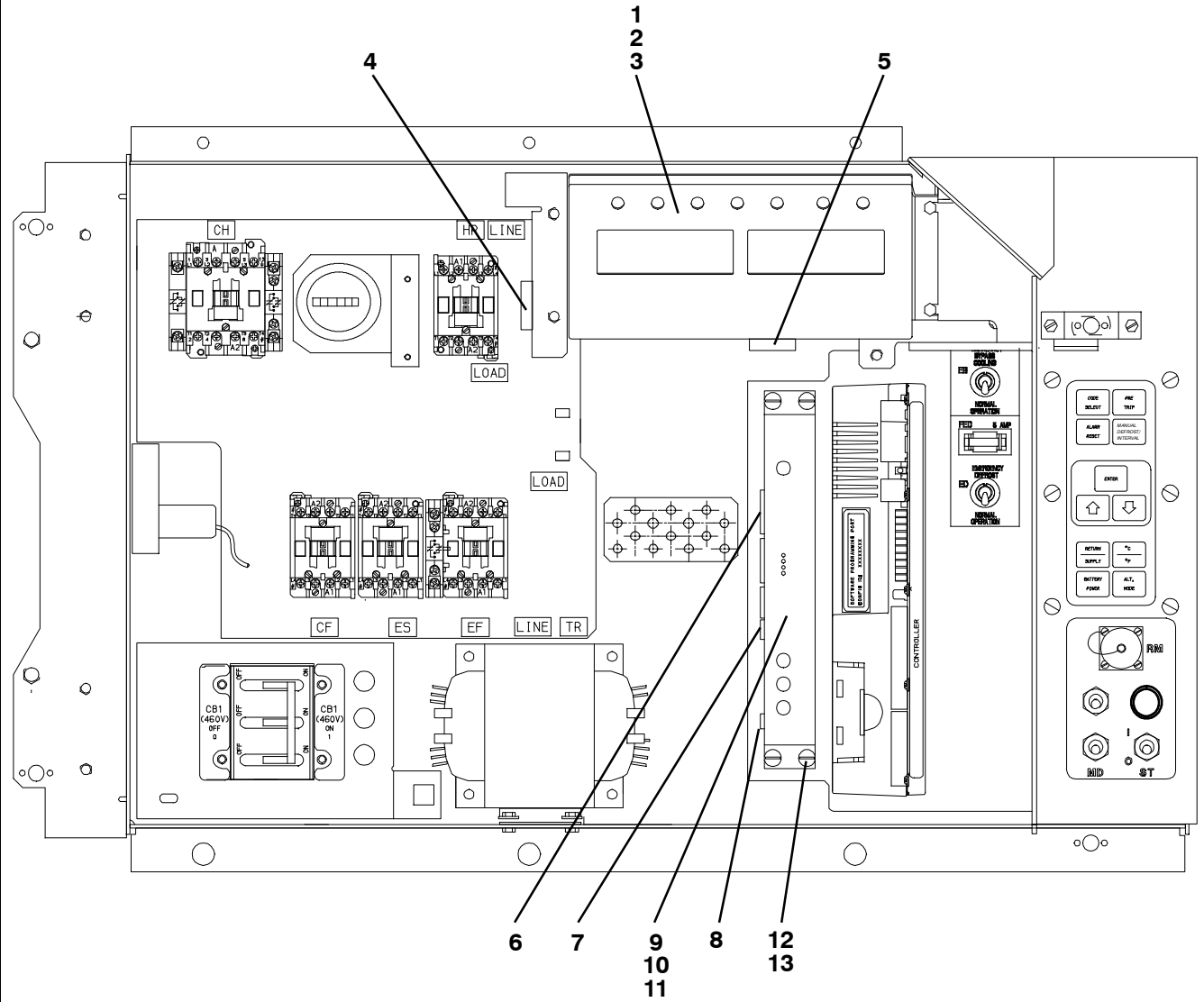
2.9 CONTROL BOX - CONTROLLER MODULE SECTION AND SOFTWARE CARDS



View - Back of Controller/DataCORDER

2.9 CONTROL BOX - CONTROLLER MODULE SECTION AND SOFTWARE CARDS (Continued)			
Item	Part Number	Description	Qty
1	-	Module, Controller/DataCORDER - Refer to Section 5 - Includes:	-
2	66U1-5371-7	Screw, Hex Head, #10-24 x 1/2 lg. - SST	1
3	69NT35-2692	Washer, Fender, 0.063 Thick - SST	1
4	58-01184-00	Retainer, Screw, 0.141 ID	1
5	22-02336-08	Fuse, 7.5 Amp (F3A & F3B)	2
6	22-02336-02	Fuse, 5 Amp (F1 & F2)	2
7	62-02719-00	Label, Controller/DataCORDER Port	1
8	12-00594-xx/5315	Card, Controller/DataCORDER Operation Software	1
9	22-01777-00SV	Connector (EC A-K) - 30 Pin	1
10	22-01777-03	Socket, 20 AWG	35
11	22-50100-00	Socket, 18 AWG	4
12	22-01777-04	Plug, Sealing	21
13	22-01777-01SV	Connector (EC L-Y) - 30 Pin	1
14	22-01556-02	Connector (KA) - 14 Pin	1
15	22-01556-01	Connector (KB) - 10 Pin	1
NS	22-01621-23	Connector (KP) - 9 Pin (Connects to Ribbon Cable)	1
16	22-04031-00	Connector (KD) - 4 Pin	1
17	22-04031-01	Connector (KE) - 5 Pin	1
18	22-04031-02	Connector (KC) - 6 Pin	1
19	22-01622-01	Connector (MA) - 12 Pin	1
20	22-01622-02	Connector (MB) - 16 Pin	1
21	22-01622-00	Connector (MC) - 8 Pin	1
NS	09-00369-00SV	Battery, Real Time Clock, (Within the Controller)	1
NS	22-50157-00	Wire Harness, Controller to Current Sensing Transformer)	1
NS	22-01713-06	Wire Harness, Display Module to Controller/DataCORDER Module	1
NS	62-02735-00	Label, Warning, Don't use 12-00327 ! -(Located on the control box behind the Controller/DataCORDER module.)	1
NS	62-02738-08	Label, Warning, 51xx Series - (Located on the high & low voltage shields)	1
NS	62-02738-05	Label, Warning, 51xx Series - (Located on the bottom panel of the control box between the Communications Interface module and the switch panel.)	1
OPTION R - RECHARGEABLE BATTERY PACK			
22	30-00407-02SV	Battery Pack - Controller/DataCORDER Module	1

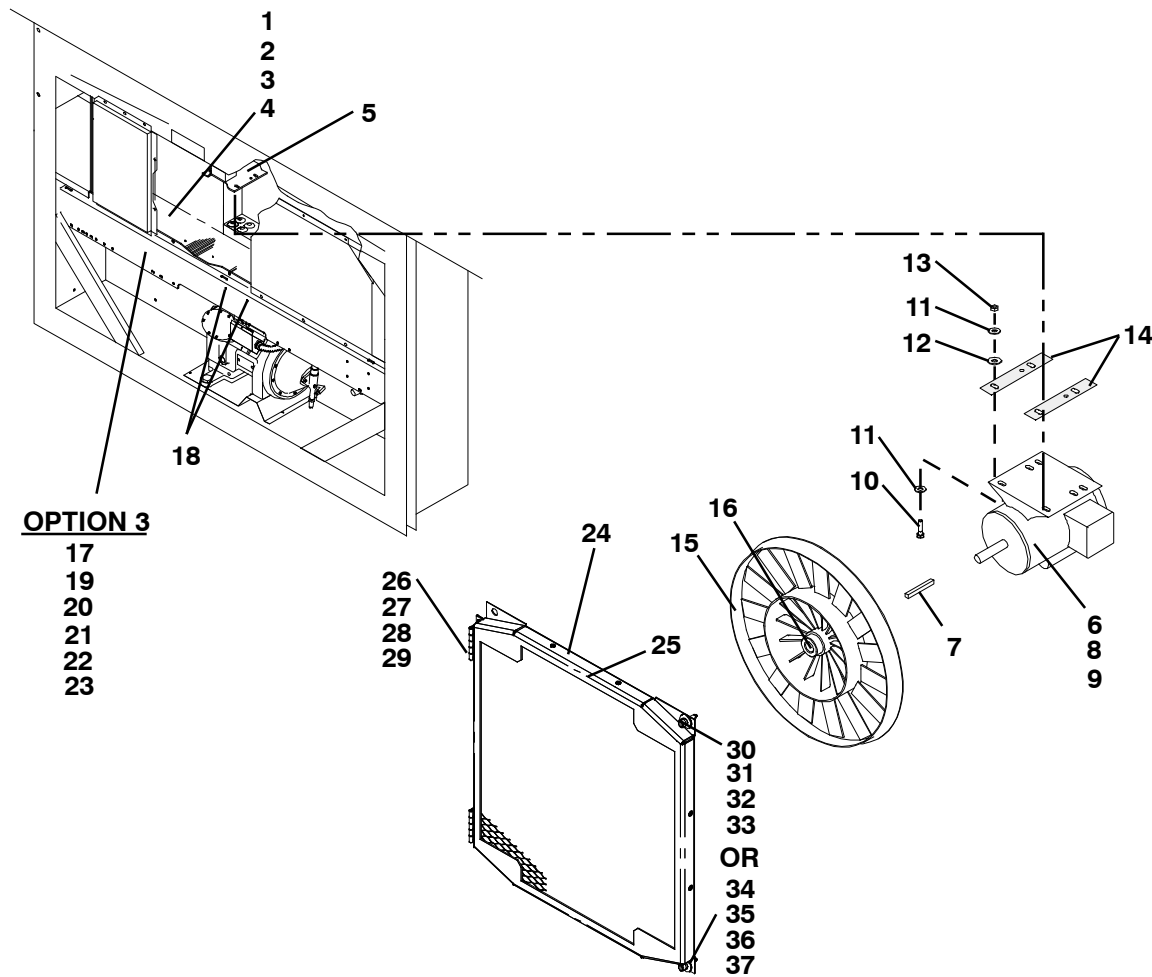
2.10 CONTROL BOX - DISPLAY MODULE AND COMMUNICATIONS INTERFACE MODULE SECTION



**2.10 CONTROL BOX - DISPLAY MODULE AND COMMUNICATIONS INTERFACE MODULE SECTION
(Continued)**

Item	Part Number	Description	Qty
1	12-00433-00RP	Module, LCD Display (Option 1)	1
	12-00433-02 RP	Module, LED Display (Option 2)	1
2	66U1-5371-7	Screw, Hex Head, #10-24 x 1/2 lg. - SST	4
3	69NT35-2692-4	Washer, Fender, 0.063 Thick - SST	4
4	22-01621-03	Connector (MK) - 9 Pin	1
5	22-01621-02	Connector (MB) - 16 Pin	1
6	22-02396-03	Connector (CIC) - 7 Pin	1
7	22-02396-02	Connector (CIB) - 3 Pin	1
8	22-01556-00	Connector (CIA) - 7 Pin	1
NS	22-01713-02	Wire Harness, Key Pad to Display Module	1
OPTION 2 - COMMUNICATIONS INTERFACE MODULE - HIGH DATA RATE			
9	12-00573-00SV	Module, Communications Interface - Includes:	1
10	66U1-3442-2	Stud, Fastener, 1/4 turn, 0.705 lg. - SST	4
11	66U1-9212-1	Retainer, Push-on	4
12	34-06223-00	Screw, Captive Washer #10-24 x 0.56 - SST	4
13	58-01184-00	Retainer, Screw .75 O.D.	4
OPTION 4 - COMMUNICATIONS INTERFACE MODULE - LOW DATA RATE			
9	12-00275-19SV	Module, Communications Interface - Includes:	1
10	66U1-3442-2	Stud, Fastener, 1/4 turn, 0.705 lg. - SST	4
11	66U1-9212-1	Retainer, Push-on	4
12	34-06223-00	Screw, Captive Washer #10-24 x 0.56 - SST	4
13	58-01184-00	Retainer, Screw .75 O.D.	4

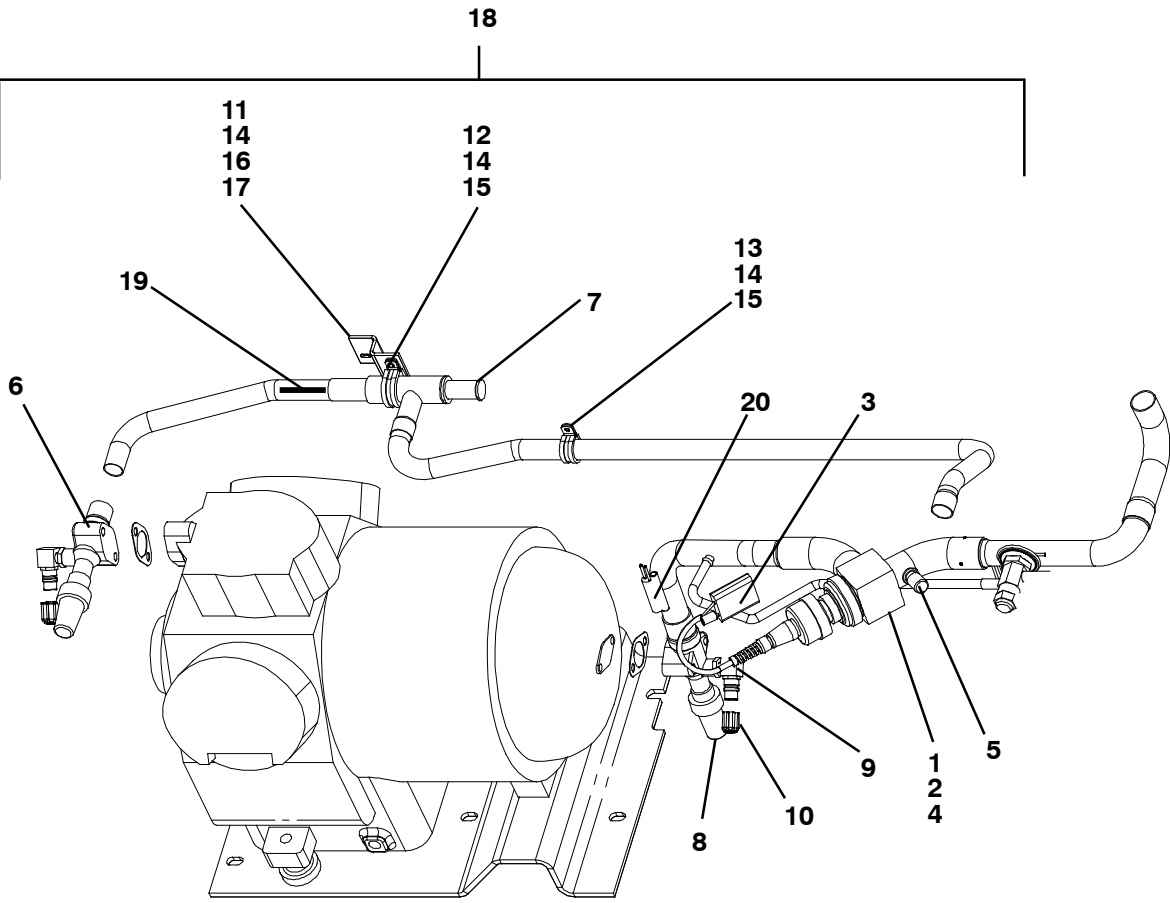
2.11 CONDENSER FAN MOTOR AND CONDENSER COIL SECTION



Item	Part Number	Description	Qty
1	66U1-5361-25	Capscrew, Hex Head, 1/4-20 x 3/4 lg. - SST	10
2	66U1-5321-7	Washer, Flat, 1/4 - SST	10
3	34-06053-00	Washer, Mylar, 3/4 OD x 1/4 ID	10
4	34-06053-03	Washer, Mylar, 1.0 OD x 1/4 ID	2
5	69NT35-3547	Bracket, Condenser Motor Mount	1
6	54-00586-20	Motor, Condenser Fan - Includes:	1
7	PL	Key, 3/16 Square x 1-3/8 lg. - SST	1
8	04-50027-00	Bearing	2
9	22-50088-02	Capacitor, 15 uF	1
10	66U1-5361	Screw, Hex Head, 5/16-18 x 1-1/4 lg. - SST	4
11	34-01181-01	Washer, Flat, 5/16 - SST	8
12	34-06053-02	Washer, Mylar, 1.0 OD x 3/8 ID	4
13	34-00667-12	Locknut, 5/16-18 - SST	4
14	69NT35-6112	Protector, Condenser Fan Motor Mounting	2
15	38-00585-00	Fan, Condenser (17-1/2 diameter) - Composite - Includes:	1
16	PL	Set Screw, Square Head, 5/16-24 x 5/8 lg. - SST	2

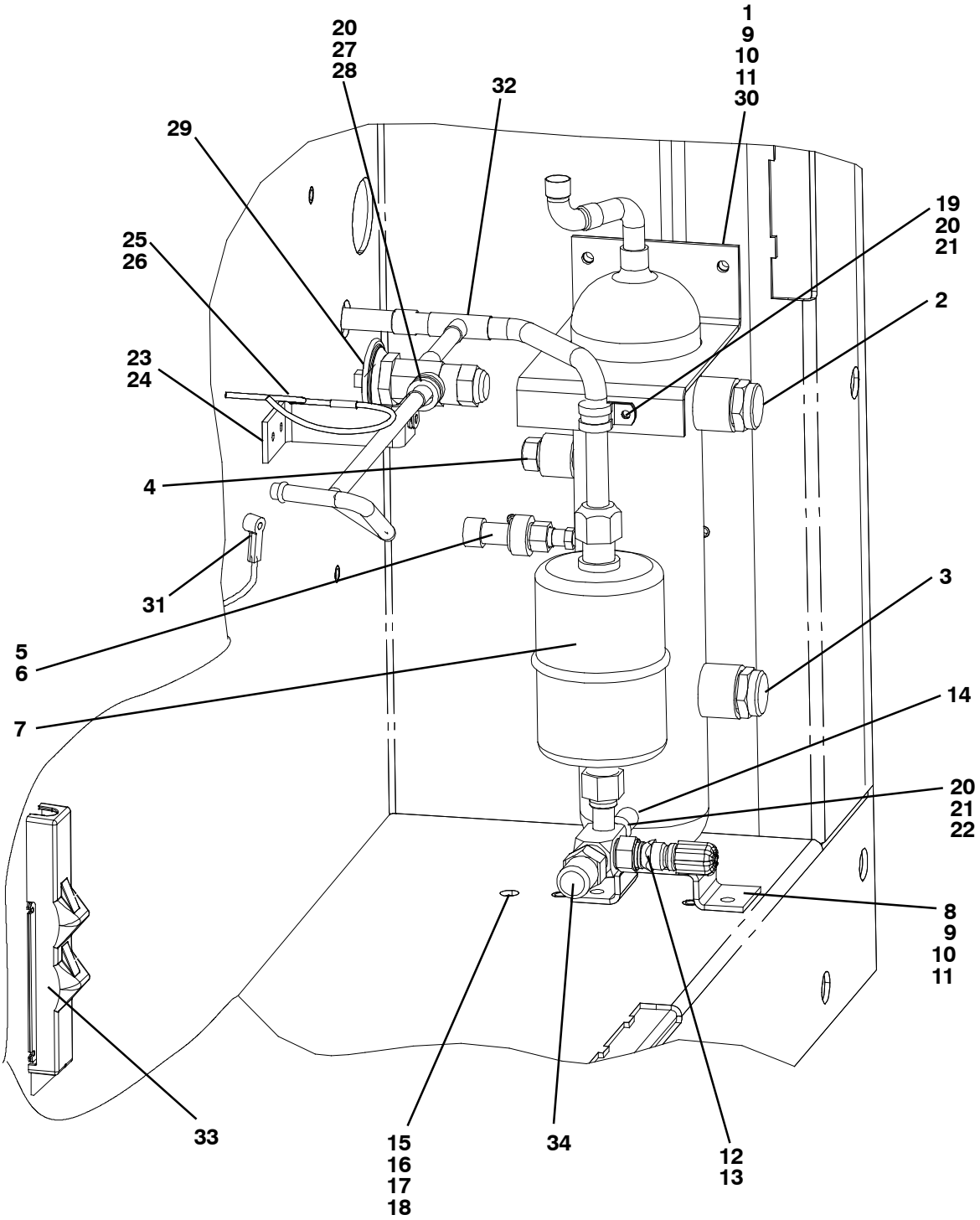
2.11 CONDENSER FAN MOTOR AND CONDENSER COIL SECTION (Continued)			
Item	Part Number	Description	Qty
OPTION 3 - THREE ROW (7MM) CONDENSER COIL			
17	68-13454-02SV	Cover, Condenser Coil, Blue Includes:	1
	68-13454-03SV	Cover, Condenser Coil, White Includes:	1
18	58-04480-00	Bumper (for use with uncoated center handle)	2
	58-04481-00	Plug (for use with coated handle or units with no center handle)	2
19	81-01575-00SV	Coil, Condenser(Copper) - 7MM 3 Row - Includes Mylar Washers	1
20	66CH1-1172-16	Trim, Flexible	2
21	69NT35-8693-7	Protector (Apply between frame and coil & coil cover)	4
22	69NT35-8693-10	Protector (Apply between frame and coil & coil cover)	2
23	58-04026-41	Protector, Mylar (Apply between coil & coil cover, RH & LH sides)	2
OPTION H - HINGED CONDENSER FAN GRILLE			
24	76-00704-01	Grille and Venturi Assembly - Includes:	1
25	66U1-8912	Label, Rotation	1
26	76-50075-00	Hinge Kit - Includes:	1
27	44-00374-00	Hinge	2
28	58-04101-07	Protector, Mylar	4
29	34-06179-00	Screw, Hex Head, #10-24 x 7/16 lg. - SST	8
30	66U1-6811-8	Screw, Retaining - SST	2
	66U1-6811-12	Screw, Retaining (Phillips Head) - SST	2
31	34-06169-00	Washer, Retaining - SST	2
32	34-06053-03	Washer, Mylar, 1/4ID x 1.00OD	2
33	69NT35-2692-1	Washer, Fender 1/4 - SST	2
OPTION B - BOLTED CONDENSER FAN GRILLE			
24	76-00704-01	Grille and Venturi Assembly - Includes:	1
25	66U1-8912	Label, Rotation	1
34	69NT35-2692-1	Washer, Fender 1/4 - SST	4
35	34-06053-03	Washer, Mylar, 1/4ID x 1.00OD	4
36	34-00663-11	Washer, Lock, 1/4 - SST	4
37	66U1-5361-25	Capscrew, Hex Head, 1/4-20 x 3/4 lg. - SST	4

2.12 COMPRESSOR TUBING SECTION



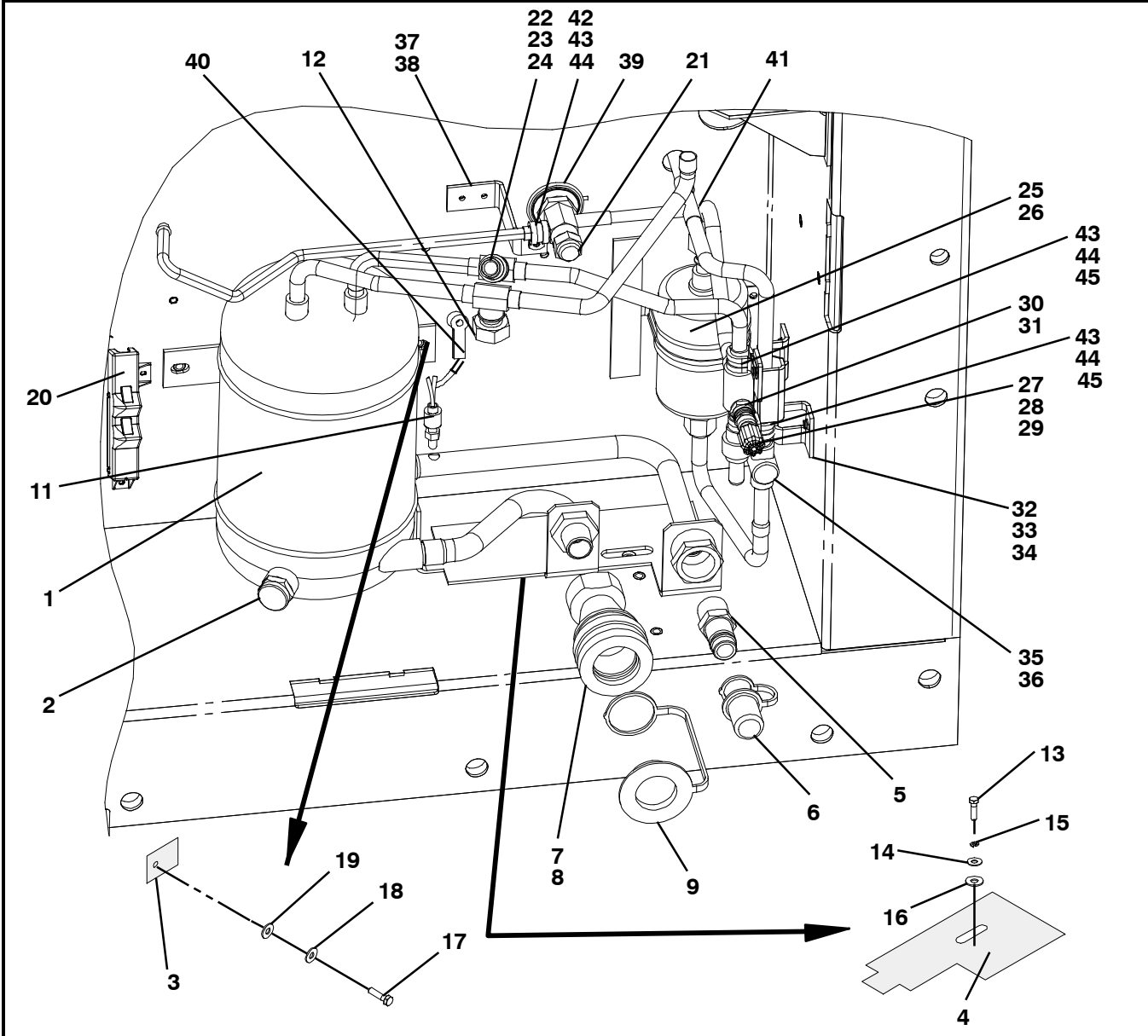
2.12 COMPRESSOR TUBING SECTION (Continued)			
Item	Part Number	Description	Qty
1	14-00263-00	Valve, Stepper Motor - Includes:	1
2	14-00263-20	Piston and Motor Assembly - Includes:	1
3	22-02392-03	Connector (To Power Pack)	1
NS	22-02393-01	Pin, 18-20 Gauge (Used on 22-02392-03)	4
NS	22-02394-03	Seal (Used on 22-02392-03)	4
4	14-00263-23	O-Ring	1
5	14-00263-22	Cap	1
6	-	Valve, Service (Discharge) - See Section 4.3	1
7	14-00204-03	Valve, Discharge Pressure Regulator (DPRV)	1
8	-	Valve, Service (Suction) - See Section 4.3	1
9	40-00542-00	Elbow, Adapter (R134a)	1
10	40-00520-02	Cap, M8 x 1.0 - Nylon	1
11	69NT41-702	Bracket Assembly	1
12	66U1-3632-24	Clamp, Cushion, 1.18 Dia.	1
13	34-00373-11	Clamp, Cushion, .88 Dia.	1
14	66U1-5381-1	Screw, Hex Head, #10-24 x .75 lg. - SST	4
15	34-06053-00	Washer, Mylar, .25 I.D. x .80 O.D.	3
16	66U1-5321-8	Washer, Flat, #10 - SST	3
17	34-06053-05	Washer, Mylar, .205 I.D. x .60 O.D.	3
18	81-01472-00	Tubing assembly	1
NS	22-01566-01	Socket (Used on 22-01585-04)	4
NS	22-02393-00	Pin (Used on 22-01830-00)	4
NS	22-02394-02	Seal (Used on 22-01835-00, 22-01585-04 and 22-01830-00)	A/R
NS	22-01835-00	Connector (On Harness to Drive)	1
NS	22-01566-00	Pin (Used on 22-01835-00)	5
REFRIGERATION TEMPERATURE SENSORS			
19	12-01105-02	Sensor, Thermistor (CPDS)	1
20	12-01104-05	Sensor, Thermistor (CPSS)	1

2.13 RECEIVER SECTION



2.13 RECEIVER SECTION (Continued)			
Item	Part Number	Description	Qty
1	69NT43-403-2	Receiver, Electro-Coated Modular, Copper - Includes:	1
2	14-00220-01	Glass, Sight, w/Red Balls, 1/2-14 npt	1
3	14-00221-01	Indicator, Moisture-Liquid	1
4	14-01032-14	Plug, Fusible, 3/8 npt - Brass	1
	14-00215-06	Disc, Rupture, 3/8 npt - Alternate	1
NS	22-02448-00SV	Connector, Female (Located on wire harness)	1
5	12-00352-00	Transducer, Condenser Pressure (CPT)	1
6	EC39DM062	Valve, Schrader	1
7	14-00341-02SV	Filter-Drier with O-Rings	1
8	69NT43-277	Bracket, Liquid Line Valve	1
9	66U1-5361-25	Screw, Hex Head, 1/4-20 x 3/4 lg. - SST	A/R
10	66U1-5321-7	Washer, Flat, 1/4 - SST	3
11	34-06053-00	Washer, Mylar, 0.250 ID x 0.800 OD	4
12	40-00520-01	Coupling, M15 - Brass - Includes:	1
13	40-00520-03	Cap, Service Port	1
14	14-00221-00	Valve, Liquid Line	1
15	66U1-5361-7	Bolt, Hex Head, 3/8-16 x 1.00 lg. - SST	1
16	AU11JR241	Washer, Lock, 3/8 - SST	1
17	66U1-5321-5	Washer, Flat, 3/8 - SST	1
18	34-06053-02	Washer, Mylar, 0.375 ID x 1.00 OD	1
19	34-00373-05	Clamp, Cushion, 1/2 Diameter	1
20	66U1-5371-6	Screw, Machine, Hex Head, #10-24 x .75 lg. - SST	3
21	34-06053-05	Washer, Mylar, .205 I.D. x .60 O.D.	4
22	34-00373-07	Clamp, Cushion, 5/8 Diameter	1
23	69NT43-420	Bracket Assembly, Quench Valve	1
24	34-00928-09	Rivet, Blind, 5/32 Diameter, Grip Range - 1/8-1/4 - SST	2
25	66U2-1132-1	Connector	1
26	66U1-3803	Heat Shrink	1
27	34-00373-54	Clamp, Cushion, .44 Diameter	1
28	34-06053-03	Washer, Mylar, .25 I.D. x 1.00 O.D.	1
29	14-00212-03SV	Valve, Quench, Thermostatic Expansion - Includes:	1
NS	14-00212-21	Kit, Repair - Includes:	1
NS	NSS	Power Head	1
30	58-04026-23	Protector, Mylar	1
31	12-00495-02SV	Sensor, Ambient Thermistor (AMBS)	1
32	DE40BA203	Tee, Reducing 1/2 x 1/2 x 3/8	1
33	-	See Section 2.15 for Sensor Assembly and Related Parts	-
34	40-00501-50	Cap, Service Valve	1

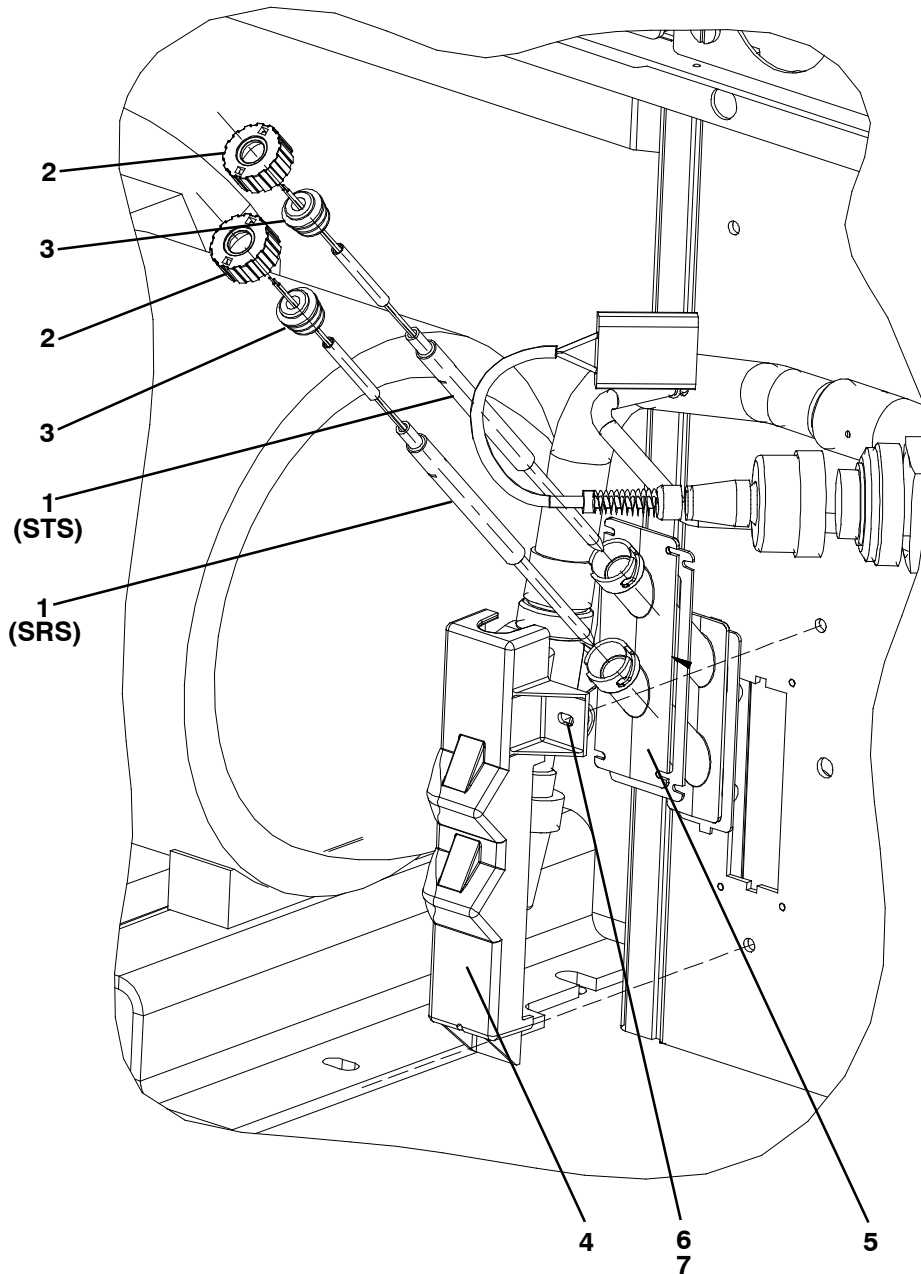
2.14 WATER-COOLED CONDENSER SECTION



Item	Part Number	Description	Qty
-	69NT42-914	Kit, Condenser/Receiver (For Field Installation) - See NOTE - Includes:	1
1	69NT42-914-1	Condenser/Receiver - Includes:	1
2	14-00220-00	Sight Glass, w/red balls, 1/2 npt	1
3	58-00956-00	Protector, Mylar	2
4	58-00957-00	Protector, Mylar	1
5	66U1-2763-5	Coupling (Water-In)	1
6	66U2-1142	Cap, Dust	1
7	40-01129-00	Coupling, Self Draining - Includes:	1
7	66U1-2763-6	Coupling Assembly, Socket - Includes:	1
8	42-50000-00	Seal, O-Ring	1
9	66U2-1152	Cap, Dust (Use with 40-01129-00)	1
10	79-01757-00	Cap Assembly (Use with 66U1-2763-6)	1
11	12-01071-01SV	Switch,Water Pressure OPTION W	1
12	14-00215-05	Disc, Rupture, 3/8 npt	1

2.14 WATER-COOLED CONDENSER SECTION (Continued)			
Item	Part Number	Description	Qty
13	66U1-5361-7	Bolt, Hex Head, 3/8-16 x 1.00 lg. - SST	1
14	66U1-5321-5	Washer, Flat, 3/8 - SST	1
15	AU11JR241	Washer, Lock, 3/8 - SST	1
16	34-06053-02	Washer, Mylar, 3/8 ID x 1.00 OD	1
17	66U1-5361-25	Capscrew, Hex Head, 1/4-20 x 3/4 lg. - SST	2
18	66U1-5321-7	Washer, Flat, 1/4 - SST	2
19	34-06053-00	Washer, Mylar, 1/4 ID x 13/16 OD	2
20	-	See Section 2.15 for Sensor Assembly and Related Parts	-
-	76-00677-00	Accessory Kit, Water-Cooled Condenser Tubing - Includes:	-
21	06DA403-844	Valve, Schrader	1
22	12-00352-00	Transducer, Condenser Pressure (CPT)	1
23	69NT41-477	Tube Assembly - Includes:	1
24	40-00555-06	Tee, 1/2 x 1/2 x 3/8 npt - Brass	1
25	14-00341-02SV	Filter-Drier with O-Rings	1
26	69NP20-1031	Clamp, Filter-Drier - Includes:	1
NS	58-50014-00	Gasket (16 ft., Cut to length)	1
-	69NT41-497	Tube Assembly - Includes:	1
27	66U1-8552-2	Valve, Liquid Line - Includes:	1
28	40-00086-04	Cap, Flare - 1/4	1
29	17-21002-01	Cap, Valve	1
30	40-00520-01	Coupling, M15 - Brass - Includes:	1
31	40-00520-03	Cap, Service Port	1
32	68-12368-00	Bracket	1
33	66U1-5371-6	Screw, Hex Head, #10-24 x 3/4 lg. - SST	2
34	34-06053-05	Washer, Mylar, 0.205 ID x 0.600 OD	2
35	69NT41-487	Tube Assembly - Includes:	1
36	14-01092-03	Indicator, Liquid Moisture - Brass	1
37	69NT43-420	Bracket Assembly	1
38	34-00928-09	Rivet, Blind, 5/32 Diameter, Grip Range - 1/8-1/4	2
39	14-00212-03SV	Valve, Quench, Thermostatic Expansion - Includes:	1
NS	14-00212-21	Kit, Repair - Includes:	1
NS	NSS	Power Head	1
40	12-00495-02SV	Sensor, Ambient Thermistor (AMBS)	1
41	DE40BA203	Tee, Reducing, 1/2 x 1/2 x 3/8	1
42	34-00373-54	Clamp, Cushion, .44 Diameter	1
43	34-06053-03	Washer, Mylar, .25 I.D. x 1.00 O.D.	3
44	66U1-5371-6	Screw, Machine Hex Head, #10-24 x .75 lg. - SST	3
45	34-00373-07	Clamp, Cushion, .62 Diameter	2
NOTE			
Must order tubing accessory kit 76-00677-00 when ordering P/N 69NT42-914 for field installation on units provisioned for a water-cooled condenser.			

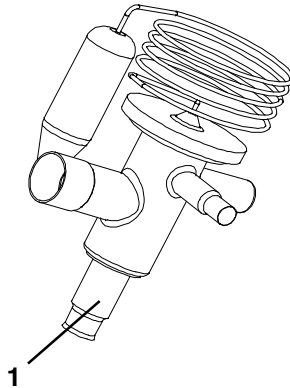
2.15 SRS AND STS SECTION



Item	Part Number	Description	Qty
1	12-00395-01SV	Sensor Assembly (STS & SRS)	1
2	58-04277-00SV	Cap, Probe - Includes:	2
3	58-04278-00	Grommet NSS	2
4	58-04279-00	Cover, Probe	1
5	58-04276-00	Holder, Probe	1
6	66U1-5321-7	Washer, Flat, 1/4 - SST	2
7	66U1-5371-7	Screw, Machine, Hex Head, #10-24 x .50 lg. - SST	2

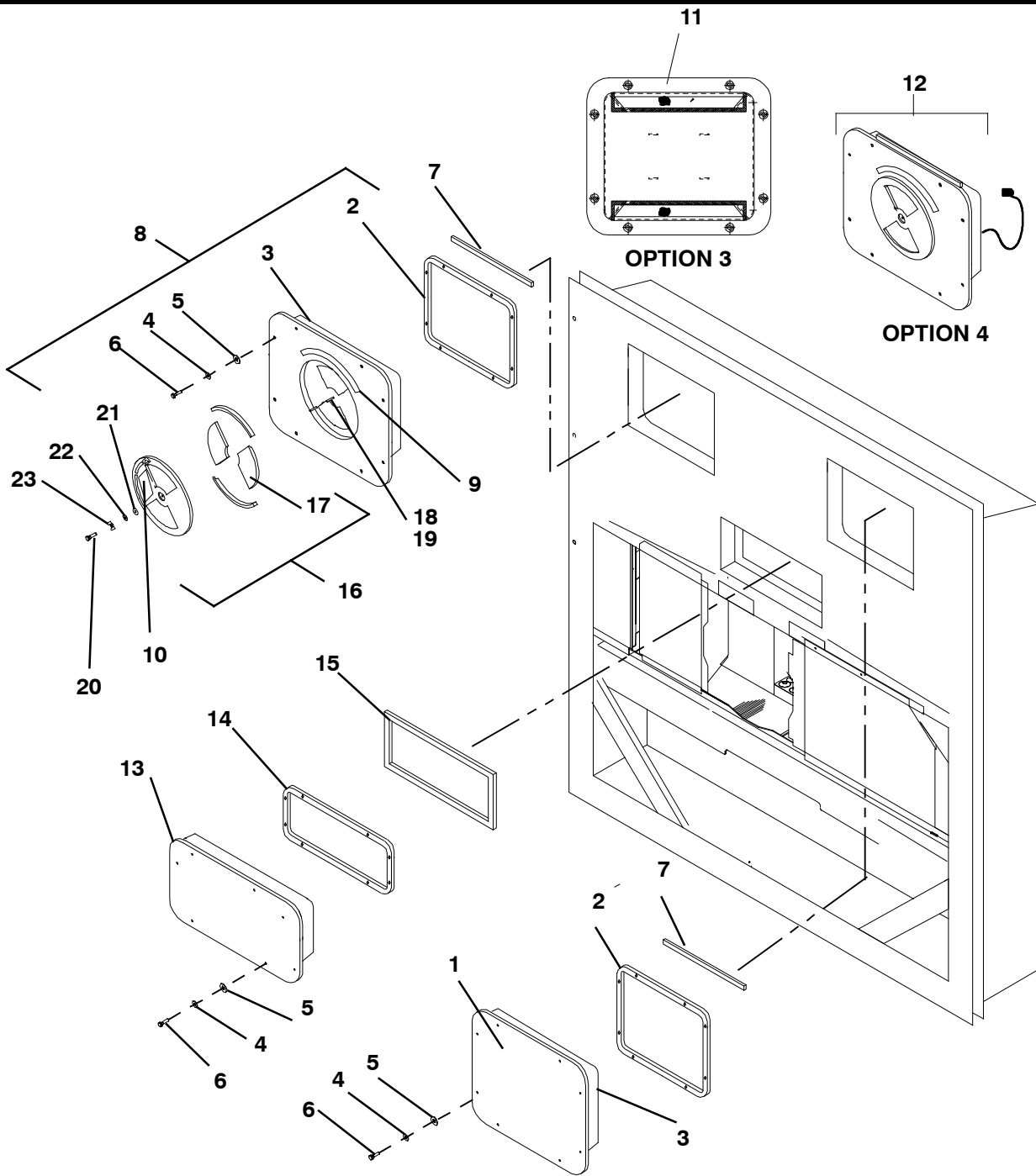
2.16 THERMOSTATIC EXPANSION VALVE - Hermetic (Refer to Section 2.20)

OPTIONS 2 & 3



Item	Part Number	Description	Qty
OPTIONS 2 AND 3 - EVAPORATOR COIL WITH HERMETIC TXV			
1	14-00273-08	Valve, Thermostatic Expansion	1

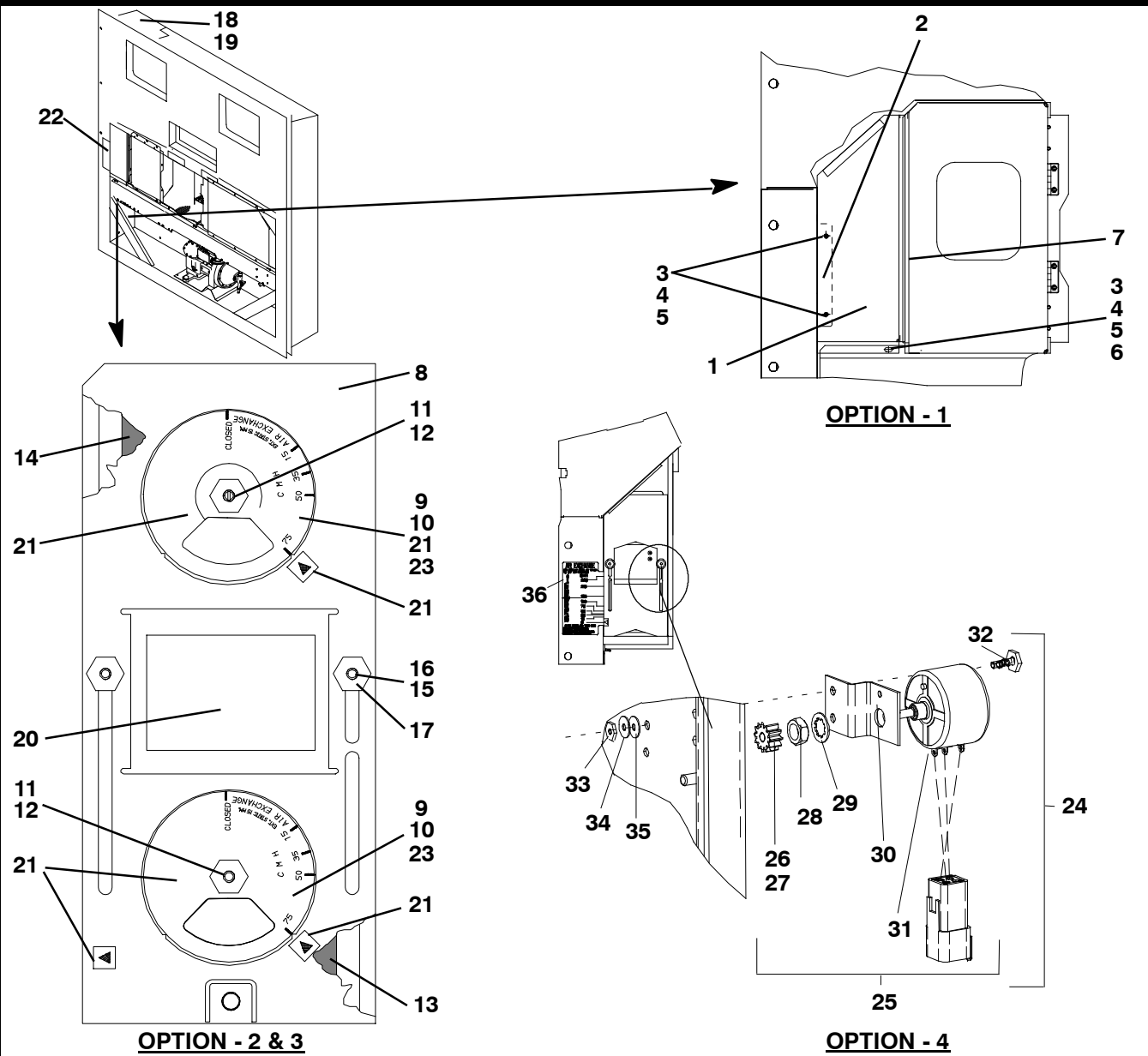
2.17 UPPER FRESH AIR MAKE-UP AND ACCESS PANEL SECTION



Item	Part Number	Description	Qty
OPTION 1 EVAPORATOR FAN ACCESS PANEL - PLAIN			
1	79-01697-06SV	Panel, Access (See NOTE 1) - Includes:	A/R
2	42-00296-01	Gasket	1
3	42-00327-00	Gasket, 0.26 x 0.50 Halfmoon	1
4	34-006212-12	Washer, Flat, 1/4 - SST	8
5	34-06053-13	Washer, Mylar, 1/4 ID X 0.80 OD	8
6	34-06154-00	Screw, Hex Head, 1/4-20 x 1.00 lg. - TIR	8
7	66U1-2552-185	Gasket, 0.75 x 1.5 x 16.63	1

2.17 UPPER FRESH AIR MAKE-UP AND ACCESS PANEL SECTION (Continued)			
Item	Part Number	Description	Qty
OPTION 2 EVAPORATOR FAN ACCESS PANEL - WITH FRESH AIR MAKEUP			
8	79-01694-00	Panel, Fresh Air Make-up w/Retaining Washers - Includes:	A/R
2	42-00296-01	Gasket	1
3	42-00327-00	Gasket, - 0.26 x 0.50 Halfmoon	1
7	66U1-2552-185	Gasket, 0.75 x 1.5 x 16.63	1
9	-	Label, Fresh Air (See Section 2.33 for Language Selection)	1
10	62-02783-00	Label, Fresh Air	1
21	34-06053-19	Washer, Mylar, 1.00 OD x 0.312 ID	1
22	66U1-5321-13	Washer, Flat, 5/16 - SST	1
23	66U1-5362-2	Nut, Wing, 5/16-18 - SST	1
OPTION 3 WITH FRESH AIR MAKEUP AND SCREENS - USE ALL OF OPTION 2 AND ITEM BELOW			
11	58-04251-00	Screen, Medfly	2
OPTION 4 EVAPORATOR FAN ACCESS PANEL - WITH FRESH AIR MAKEUP AND VENT POSITION SENSOR (VPS)			
12	79-01902-00	Panel (orange), Fresh Air Make-up w/VPS - Includes:	A/R
	79-01902-01	Panel (white), Fresh Air Make-up w/VPS - Includes:	A/R
2	42-00296-01	Gasket	1
3	42-00327-00	Gasket, - 0.26 x 0.50 Halfmoon	1
7	66U1-2552-185	Gasket, 0.75 x 1.5 x 16.63	1
9	-	Label, Fresh Air (See Section 2.33 for Language Selection)	1
10	62-02783-00	Label, Fresh Air	1
21	34-06053-19	Washer, Mylar, 1.00 OD x 0.312 ID	1
22	66U1-5321-13	Washer, Flat, 5/16 - SST	1
23	66U1-5362-2	Nut, Wing, 5/16-18 - SST	1
HEATER ACCESS PANEL			
13	79-01697-14	Panel, Access - Includes:	1
14	42-01052-02	Gasket	1
15	34-06212-12	Gasket, Access Panel	1
4	34-06053-13	Washer, Flat, 1/4 - SST	8
5	34-06053-00	Washer, Mylar, 1/4 ID X 0.80 OD	8
6	34-06154-00	Screw, Hex Head, 1/4-20 x 1.00 lg. - TIR	8
STUD ASSEMBLY KITS (REPLACEMENT)			
16	74-00201-02	Kit, Gasket and Stud Assembly (See NOTE 2) - Includes:	1
17	42-00407-00	Gasket (One Piece)	1
18	74-00201-01	Kit, Disc and Stud Assembly (See NOTE 3) - Includes:	1
19	NSS	Stud Assembly, 5/16-18	1
20	34-06185-01	Screw, Machine Pan Head, #8-32 x 1/2 lg. - SST	1
21	34-06053-19	Washer, Mylar, 1.00 OD x 0.312 ID	1
22	66U1-5321-13	Washer, Flat, 5/16 - SST	1
23	66U1-5362-2	Nut, Wing, 5/16-18 - SST	1
NOTES			
1. Access panels with Transfresh option should be ordered from Transfresh, See Section 2.19 for address.			
2. Disc and stud assembly kit, which will modify stud to 5/16-18, also includes new disc and gasket.			
3. Must order 74-00201-01 stud assembly kit, which will modify stud to 5/16-18, and include 42-00407-01 (1 piece) gasket.			

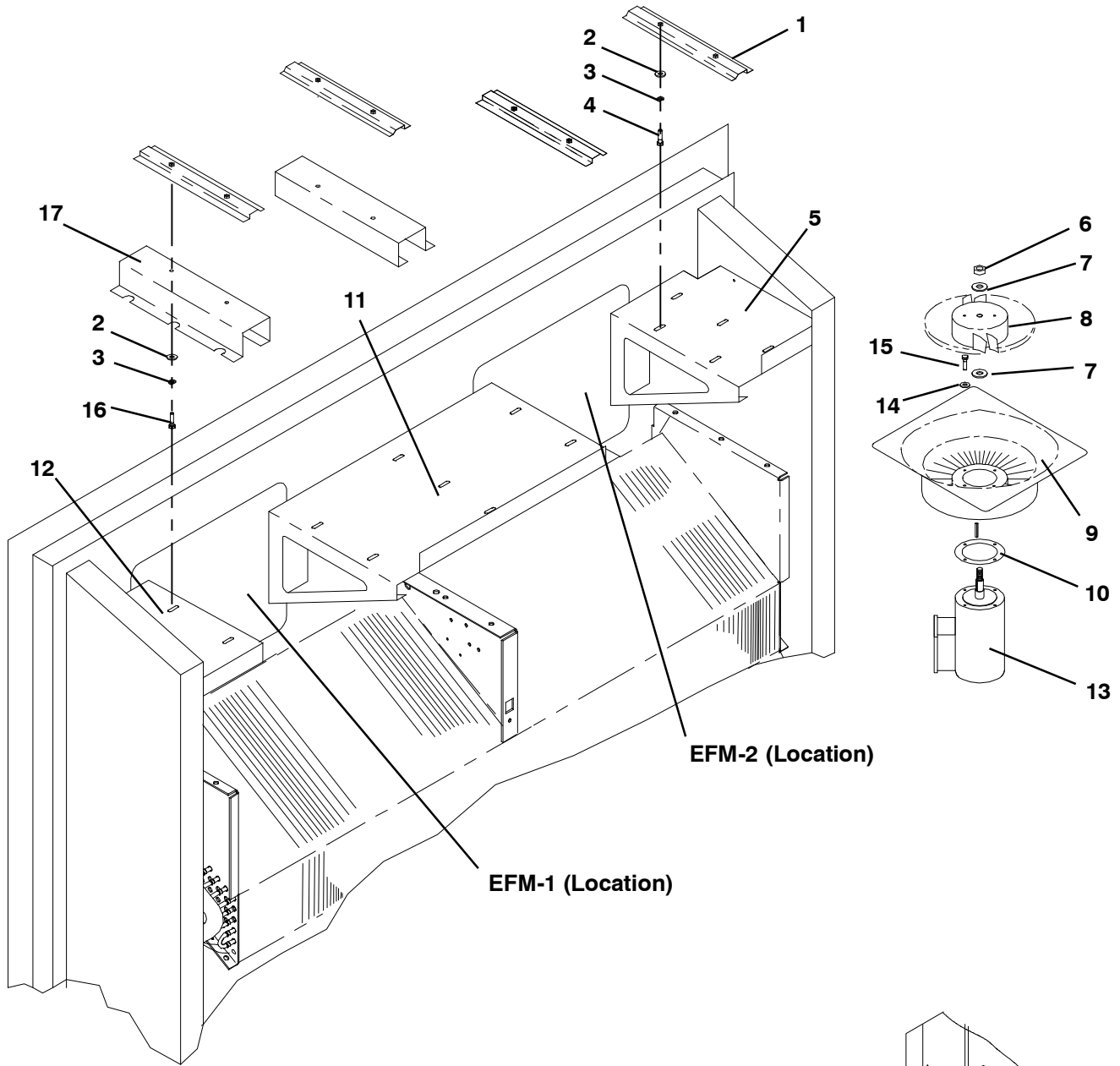
2.18 LOWER FRESH AIR MAKE-UP VENT



Item	Part Number	Description	Qty
OPTION 1 - LOWER FRESH AIR (NONE)			
1	69NT35-4047	Panel, Blank	1
2	69NT43-307	Bracket, Panel	1
3	66U1-5361-25	Screw, Hex Head, 1/4-20 x 3/4 lg. - SST	3
4	34-06053-18	Washer, Mylar, 1/4 ID x 1.00 OD	3
5	66U1-5321-3	Washer, Flat, 1/4, Type A- SST	3
6	69NT35-2692-1	Washer, Fender 1/4 - SST	1
7	42-00465-00	Gasket	1
OPTION 2 - INSTALLED			
8	69NT41-852-1	Cover, Fresh Air Makeup - Includes:	1
9	69NT40-976-3	Cover Assembly, Air Bleed - Includes:	2
10	42-00233-01	Gasket, Air Exchange	2
11	34-06092-00	Nut, Hex, 1/4-20 UNC-2B - SST	2
	34-06183-00	Nut, Hex, (with mini handle), 1/4-20 UNC-2B - SST	2
12	34-06053-00	Washer, Mylar, 1/4 ID x 1.00 OD	2

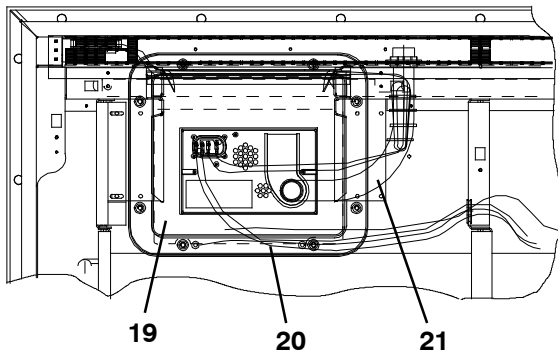
2.18 LOWER FRESH AIR MAKE-UP VENT (Continued)			
Item	Part Number	Description	Qty
13	42-00295-01	Gasket, Cover	1
14	42-00295-00	Gasket, Cover	1
15	69NT41-782	Bushing	2
16	66U1-5321-7	Washer, Flat, 1/4 - SST	2
17	34-06092-00	Nut, Hex, 1/4-20 UNC-2B - SST	A/R
	34-06183-00	Nut, Hex, (with mini handle), 1/4-20 UNC-2B - SST	A/R
18	69NT35-8348	Baffle, Unpainted	1
19	34-00928-09	Rivet, Blind, .156 Diameter, Grip Range - 3/16-1/4	4
20	69NT35-7012	Label, Fresh Air	1
21	76-50116-03	Label Kit - Includes:	1
	62-10540-04	Label, Air Exchange, CMH - <i>English</i>	2
	66CH1-1002-33	Label, Arrow	3
	76-50116-00	Label Kit - Includes:	1
	69NT35-1417	Label, Air Exchange, CMH - <i>English</i> (Maersk Specification)	2
	66CH1-1002-33	Label, Arrow (Maersk Specification)	3
	76-50116-01	Label Kit - Includes:	1
	69NT35-9238	Label, Air Exchange, CFM - <i>English/Spanish</i>	2
	66CH1-1002-33	Label, Arrow	3
	76-50116-02	Label Kit - Includes:	1
	62-10540-00	Label, Air Exchange, CMH - <i>English/Spanish/Chinese</i>	2
	66CH1-1002-33	Label, Arrow	3
	76-50116-04	Label Kit - Includes:	1
	62-10540-00	Label, Air Exchange, CMH - <i>English/Spanish/Chinese</i> (NYK Specification)	2
62-10381-00	Label, Arrow (NYK Specification)	3	
22	69NT35-1287-1	Label, Fresh Air Exchange, CMH - <i>English</i> (Maersk Specification)	1
	69NT35-9228	Label, Fresh Air Exchange, CFM - <i>English/Spanish</i>	1
	62-10537-00	Label, Fresh Air Exchange, CMH - <i>English/Japanese/Chinese</i>	1
	62-10381-00	Label, Fresh Air Exchange, CMH - <i>English</i>	1
OPTION 3 - INSTALLED WITH SCREENS - USE ALL OF OPTION 2 PLUS ITEM BELOW			
23	58-04263-01	Screen Assembly, Medfly	2
OPTION 4 - INSTALLED WITH VENT POSITION SENSOR			
24	76-50136-00	Assembly, Vent Position Sensor - Includes:	1
25	79-01925-00	Sensor Assembly - Includes:	1
26	48-00377-00	Gear, 69NT, Auto LFA	1
27	34-06262-00	Screw, Set #8- 32 X .15	1
28	34-06287-00	Nut, Hex Jam 3/ 8- 32	1
29	34-06286-00	Washer, Lock 3/ 8- 32	1
30	68-14955-00	Bracket, .063 Thk SST	1
31	10-00455-00	Sensor, LVPS; Potentiometer	1
32	66U1-5371-7	Screw, Hex Head 10-24 x 1/2 Lg. SST	2
33	34-00666-09	Nut, Hex, 10-24 UNC-2B - SST	2
34	66U1-5321-8	Washer, Flat, 1/2, Type A- SST	2
35	34-06053-04	Washer, Mylar	2
36	62-10984-00	Label, LVPS, Air Exchange	1

2.19 EVAPORATOR FAN ASSEMBLY AND CONTROLLED ATMOSPHERE - TRANSFRESH SECTION

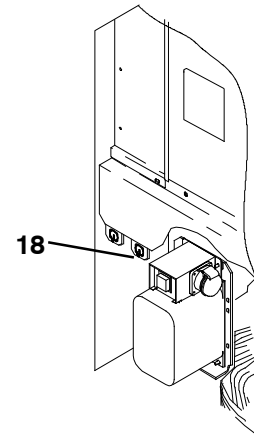


EFM-2 (Location)

EFM-1 (Location)



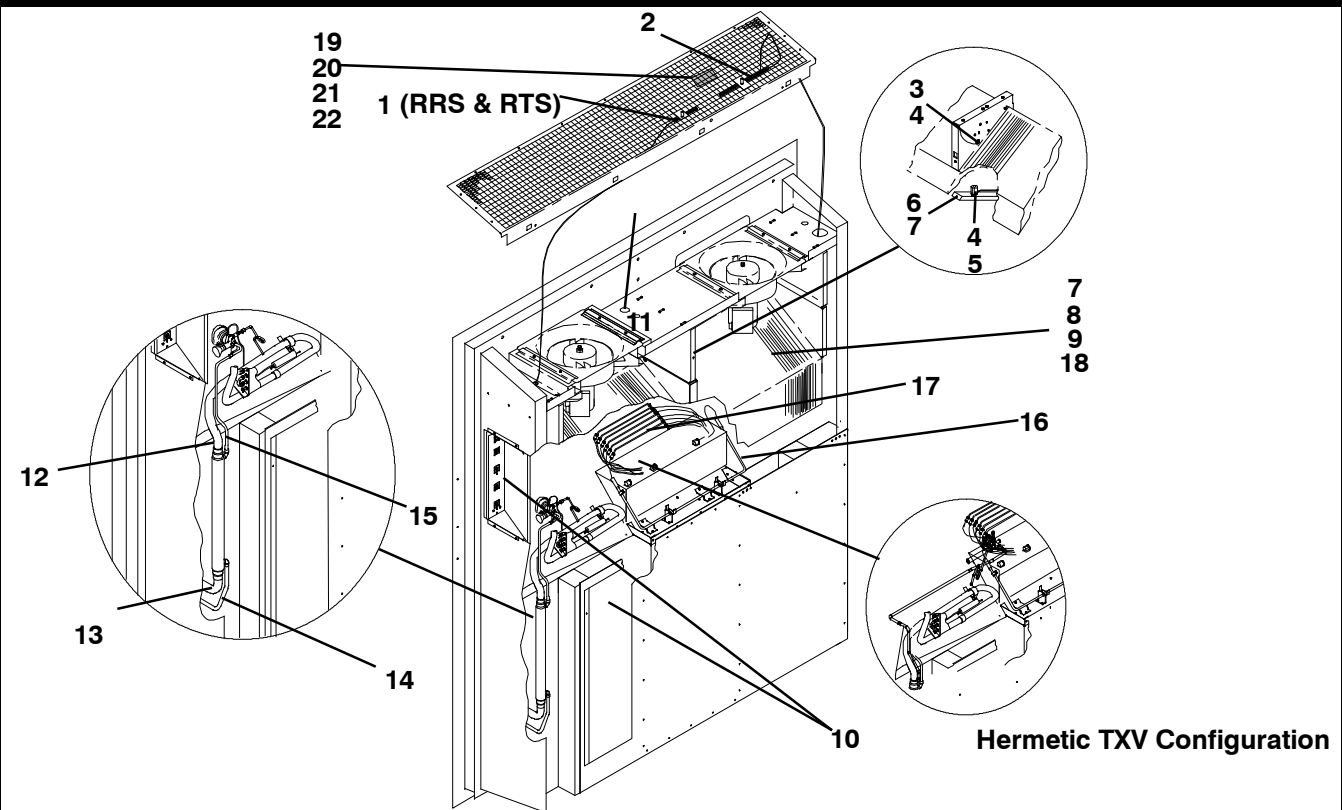
**UPPER BACK LEFT VIEW OF UNIT
WITH THE EVAP FAN ASSEMBLY
REMOVED**



**PARTIAL VIEW OF THE
LOWER LEFT CORNER
OF THE UNIT**

2.19 EVAPORATOR FAN ASSEMBLY AND CONTROLLED ATMOSPHERE - TRANSFRESH SECTION (Continued)			
Item	Part Number	Description	Qty
1	69NT43-295	Mounting Bracket, Evaporator Fan Assembly	4
2	69NT35-2692-1	Washer, Fender	8
3	34-00663-11	Washer, Lock, 1/4 - SST	8
4	34-06165-09	Screw, Hex Head, 1/4-20 x 1-1/4 lg. - SST	8
5	69NT43-284	Fan Deck, Right	1
6	34-00795-17	Nut, Self Locking, 5/8-18 - SST	2
7	34-00616-06	Washer, Special, 5/8 - SST	4
8	38-00557-00	Fan, Evaporator	2
9	48-00262-00	Stator, Evaporator	2
10	58-04066-00	Protector - Mylar	2
11	69NT43-285	Fan Deck, Center	1
12	69NT43-283	Fan Deck, Left	1
13	54-00585-20	Motor, Evaporator Fan - Includes:	2
NS	04-50027-00	Bearing, Front (Shaft End)	1
NS	22-50088-00	Capacitor (20 µF) High Speed	1
NS	22-01613-34	Pin #16	1
NS	22-01892-00	Plug Assembly, Motor (Located on Wire Harness) - Includes:	1
NS	22-01614-03	Plug	1
NS	22-01613-15	Contacts	A/R
NS	22-01892-01	Receptacle Assembly, Motor - Includes:	1
NS	22-01614-02	Receptacle	1
NS	22-01614-05	Strain Relief	1
NS	22-01613-14	Contacts	A/R
14	66U1-5321-3	Washer, Flat, 1/4 - SST	8
15	34-06165-09	Screw, Hex Head, 1/4-20 x 1-1/8 lg. - SST	8
CONTROLLED ATMOSPHERE - TRANSFRESH			
-	76-00681-01	Kit, Transfresh Field Installation (For units with NO Transfresh Provision) - Includes:	-
16	34-00655-28	Screw, Hex Head, 1/4-20 x 3-1/2 lg. - SST	4
17	69NT35-6348	Bracket	2
NS	58-04290-00	Pipe Assembly, PVC	1
*18	69NT35-8734-4	Cable Assembly, Transfresh Communications Connector (TCC)	1
*19	69NT35-8734-16	Panel Assembly, Transfresh	1
*20	69NT35-8734-12	Cable, Power - A2C (Transfresh)	1
*21	69NT35-8734-5	Hose Assembly, Air (Transfresh)	1
*NS	69NT35-8734-14	Cable Assembly, Rear (Transfresh)	1
*NS	69NT35-8734-6	Fuse Assembly, In-line (Transfresh)	1
NOTE			
* Contact - TransFresh Corp., P.O. Box 1788, Salinas, CA 93902 to order these parts.			

2.20 EVAPORATOR COIL SECTION - REAR PANELS REMOVED

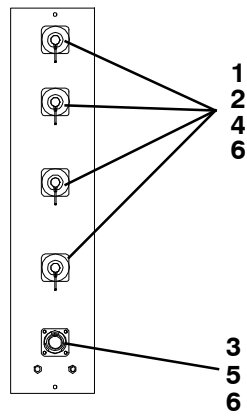
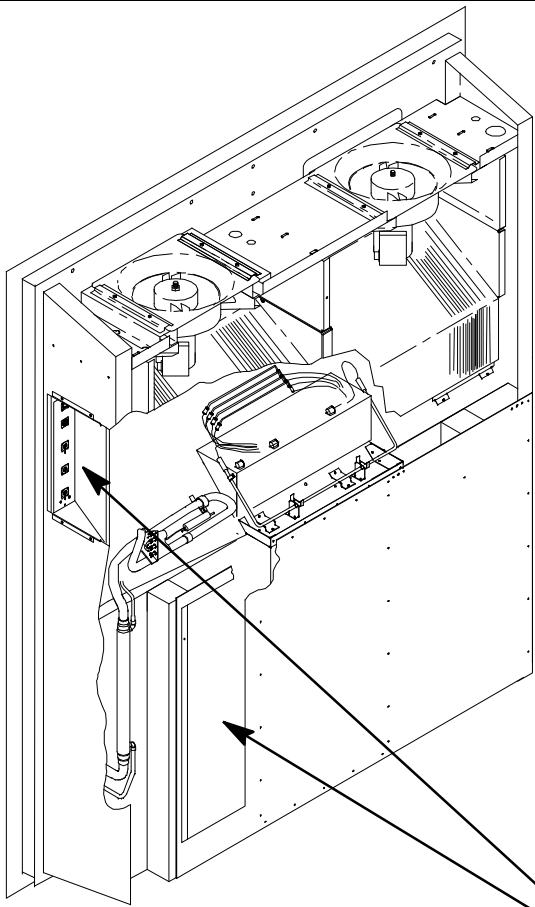


Hermetic TXV Configuration

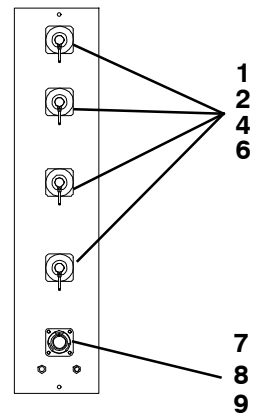
Item	Part Number	Description	Qty
1	12-00500-01SV	Sensor Assembly (RRS & RTS)	1
2	-	Sensor, Thermistor, (Temperature Recorder)	-
3	12-00495-02SV	Sensor, Thermistor, Defrost (DTS)	1
4	34-01178-22	Screw, Hex Head, #8-32 x 1/2 lg. - SST (For mounting DTS)	3
5	66U1-6912-16	Thermostat, Heat Termination (HTT)	1
6	AA06JA166	Capscrew, Hex Head, 1/4-20 x 1/2 lg.	1
7	AU11JR171	Washer, Lock, 1/4 - SST	10
8	66U1-5361-25	Capscrew, Hex Head, 1/4-20 x 3/4 lg. - SST	9
9	69NT35-2692-1	Washer, Fender, 1/4 - SST	A/R
10	-	USDA Option - Refer to Section 2.21	-
NS	66U1-3803-1	Tube, Heat Shrink - 1/2 x 2-3/4 lg.	A/R
11	58-00616-00	Plug, Hole (2 inch diameter) (Located on Fan Deck)	16
NS	69NT35-6522	Retainer (For Heaters)	3
NS	69NT-35-6532	Clip (For Heaters)	6
NS	34-00928-02	Rivet, Blind	12
NS	68-14329-00	Retainer	1
NS	66U1-5371-13	Screw	3
12	69NT35-9674-1	Tube, Suction Line	1
13	56-07323-00	Tube, Suction Line	1
14	69NT35-4027-1	Tube, Liquid Line	1
15	56-07905-00	Tube, Liquid Line	1

2.20 EVAPORATOR COIL SECTION - REAR PANELS REMOVED (Continued)			
Item	Part Number	Description	Qty
OPTION 3 - EVAPORATOR COIL WITH HERMETIC TXV and LARGE HEAT EXCHANGER			
17	24-00006-02	Heater, Evaporator Coil	4
16	24-00003-00	Heater, Drain Pan	1
18	76-00748-00	Coil, Evaporator w/o Varnish- Hermetic Includes:	1
NS	81-01635-20	Coil (NSS)	1
NS	69NT-35-6532	Clip	6
NS	34-00928-02	Rivet, Blind	12
NS	68-14329-00	Retainer	1
NS	66U1-5371-13	Screw	3
18	76-00748-02	Coil, Evaporator w/Varnish- Hermetic Includes:	1
NS	81-01635-22	Coil (NSS)	1
NS	69NT-35-6532	Clip	6
NS	34-00928-02	Rivet, Blind	12
NS	68-14329-00	Retainer	1
NS	66U1-5371-13	Screw	3
OPTION 5 - NEW COIL WITH HERMETIC TXV STANDARD HEAT EXCHANGER AND 6 HEATERS			
17	24-00006-02	Heater, Evaporator Coil	6
18	76-00748-00	Coil, Evaporator w/o Varnish- Hermetic Includes:	1
NS	81-01635-20	Coil (NSS)	1
NS	44-00361-00	Clip	2
NS	68-13600-00	Retainer	1
NS	66U1-5371-13	Screw	3
18	76-00748-02	Coil, Evaporator w/Varnish- Hermetic Includes:	1
NS	81-01635-20	Coil (NSS)	1
NS	44-00361-00	Clip	2
NS	68-13600-00	Retainer	1
NS	66U1-5371-13	Screw	3
DEHUMIDIFICATION			
-	76-00675-01	Kit, Humidity Sensor(Field installation, units provisioned for - See Unit Matrix) - Includes:	-
19	10-00413-00	Sensor, Humidity (HS)	1
20	66U1-5371-10	Screw, Hex Head, #10-24 x 1.00 lg. - SST	4
21	66U1-5321-8	Washer, Flat, #10 - SST	2
22	68-13181-00	Bracket Assembly, Humidity Sensor	1

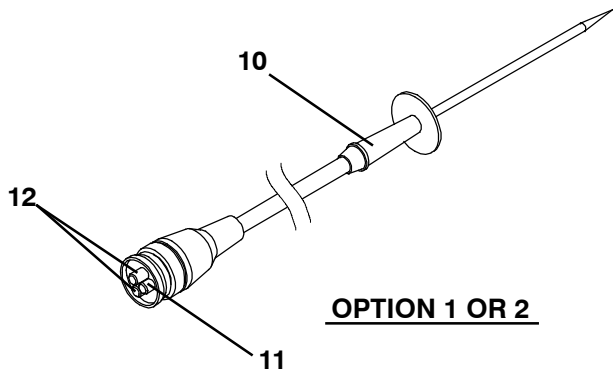
2.21 USDA SECTION



OPTION - D



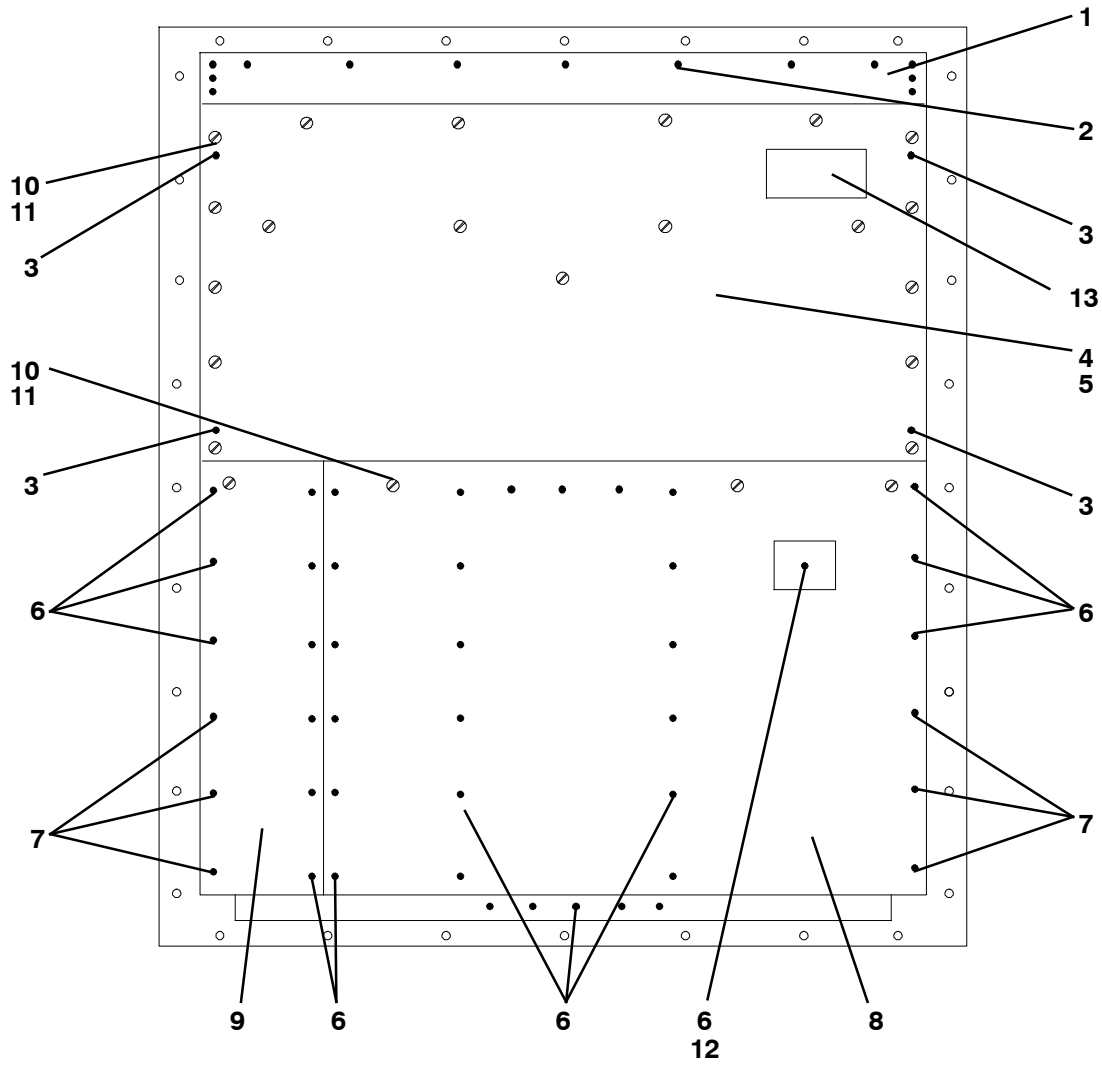
OPTION - V



OPTION 1 OR 2

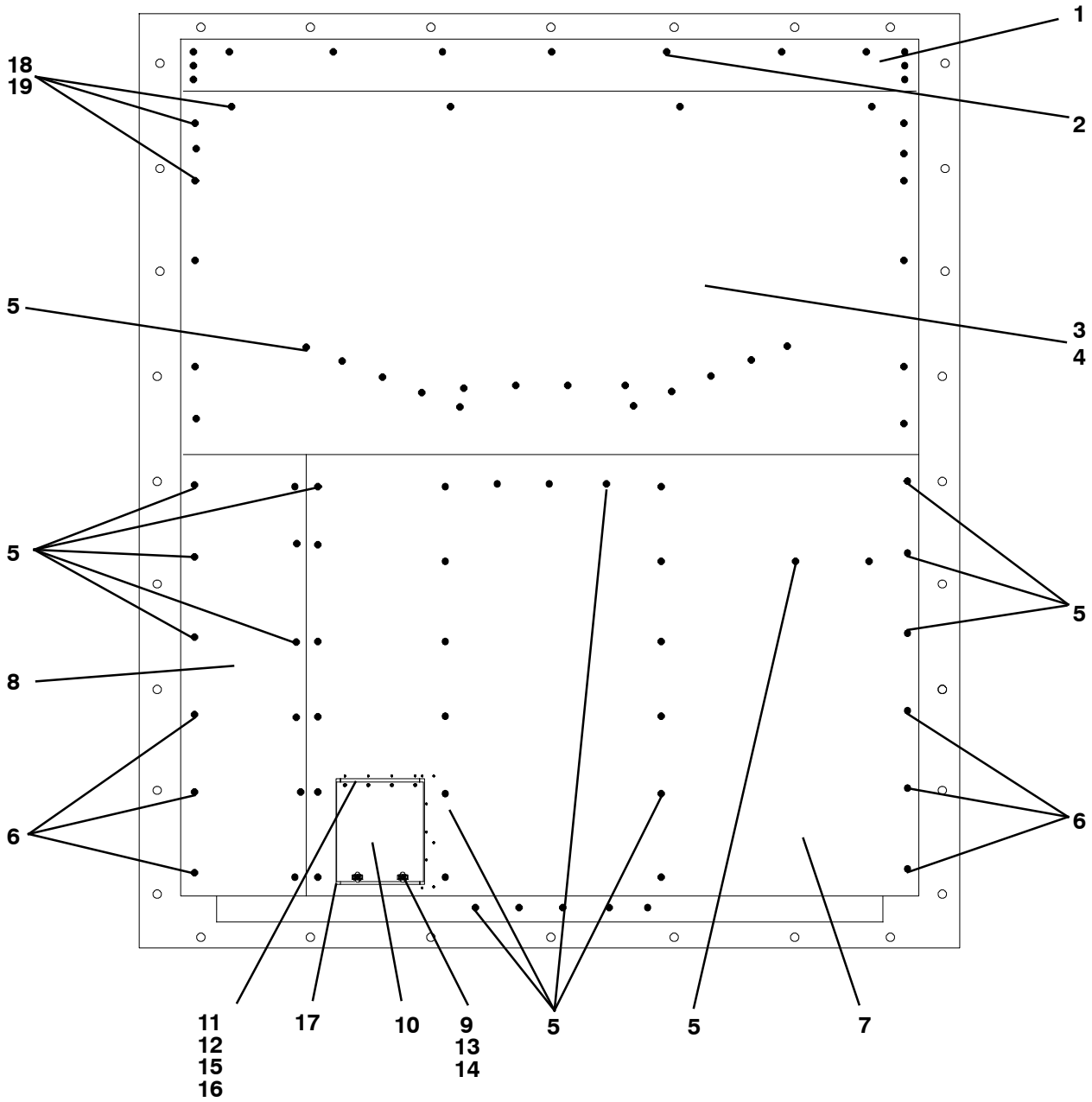
2.21 USDA OPTION AND PROBES			
Item	Part Number	Description	Qty
OPTION D			
-	76-00684-00	Kit, USDA (For field installation, units provisioned for REAR-mounted USDA - See Unit Matrix) - Includes:	-
-	76-00760-00	Kit, USDA (For field installation, units provisioned for SIDE-mounted USDA - See Unit Matrix) - Includes:	-
1	07-00397-12	Plug, Sealing	4
2	22-01660-00	Receptacle (PR1, PR2, PR3, Cargo Probe 4) (3 Pin)	4
3	22-01660-03	Receptacle, Interrogator (ICR) (5 Pin)1	1
NS	69NT41-992	Plate Assembly, USDA - Includes:	1
4	69NT43-175	Cap, Dust, with Tether (3 Pin)	4
5	69NT43-176	Cap, Dust, with Chain (5 Pin)	1
6	22-01613-14	Contact, Pin, #16 (Used with 22-01660-00 & 22-01660-03)	13
NS	69NT40-507-1	Door Assembly (Included and used with REAR-mount USDA only)	1
NS	22-01660-04	Plug, Interrogator Socket (ICR) (5 Pin)	1
OPTION V			
1	07-00397-12	Plug, Sealing	4
2	22-01660-00	Receptacle (PR1, PR2, PR3, Cargo Probe 4) (3 Pin)	4
4	69NT43-175	Cap, Dust, with Tether (3 Pin)	4
6	22-01613-14	Contact, Pin, #16 (Used with 22-01660-00 & 22-01660-03)	13
7	22-02412-00	Receptacle, Interrogator (5 Pin)	1
8	22-02413-00	Cap, Dust, with Tether (5 Pin)	1
9	22-02398-02	Socket, Contact (Silver Plated)	A/R
	22-02398-03	Socket, Contact (Gold Plated)	A/R
USDA PROBE KITS			
OPTION 1			
10	12-00342-03	Sensor Assembly, 600" lg. (15M) (USDA Probe) - Includes:	A/R
11	22-50127-00	Plug, Socket (PR1, PR2, PR3, Cargo Probe 4)	1
12	22-01613-15	Contact, Socket, #16 (Used with 22-50127-00 & 22-01660-04)	A/R
OPTION 2			
10	12-00342-02	Sensor Assembly, 540" lg. (13.5M) (USDA Probe) - Includes:	A/R
	12-00342-04	Sensor Assembly, 600" lg. (15M) (USDA Probe) - Includes:	A/R
11	22-50127-00	Plug, Socket (PR1, PR2, PR3, Cargo Probe 4)	1
12	22-01613-15	Contact, Socket, #16 (Used with 22-50127-00 & 22-01660-04)	A/R
NOTE			
Do not mix silver pins with gold pins and sockets.			

2.22 BACK PANEL ASSEMBLY - OPTION 1 - ALUMINUM BOLTED



2.22 BACK PANEL ASSEMBLY - OPTION 1 - ALUMINUM BOLTED (Continued)			
Item	Part Number	Description	Qty
1	69NT43-464	Grille, Top (Unpainted)	1
2	34-00928-09	Rivet, Blind, 5/32 Diameter, Grip Range - 1/8-1/4	21
3	66U1-7982-2	Rivet, TIR, 3/16 Diameter, Grip Range - 5/64-11/64	4
4	69NT41-942-3	Panel Assembly, Upper - Includes:	1
NS	NSS	Drain Pan, Side (Location - Behind upper panel)	2
NS	NSS	Drain Pan, Center (Location - Behind upper panel - Top)	1
5	42-00334-00	Gasket (Location - Behind upper panel)	1
NS	66U1-8075	Gasket (25 ft., Cut to length)	A/R
6	34-00928-02	Rivet, Blind, 1/8 Diameter, Grip Range - 1/8-3/16	46
7	34-00928-03	Rivet, Blind, 1/8 Diameter, Grip Range - 3/16-1/4	3
8	68-13475-00	Panel, Bottom, (Painted)	1
8	68-13475-08	Panel, Bottom, (Unpainted)	1
9	68-13475-01	Panel, Bottom (Provision for heat exchanger location), (Painted)	1
9	68-13475-09	Panel, Bottom (Provision for heat exchanger location), (Unpainted)	1
10	66U1-2403	Screw, Machine, Truss Head, #10-24 x 1/2 lg. - SST	20
11	69NT35-2692	Washer, Fender, #10 x 1.00 OD - SST	20
12	69NT35-2257	Duct, Air	1
13	62-02822-01	Label, Carrier Transicold	1

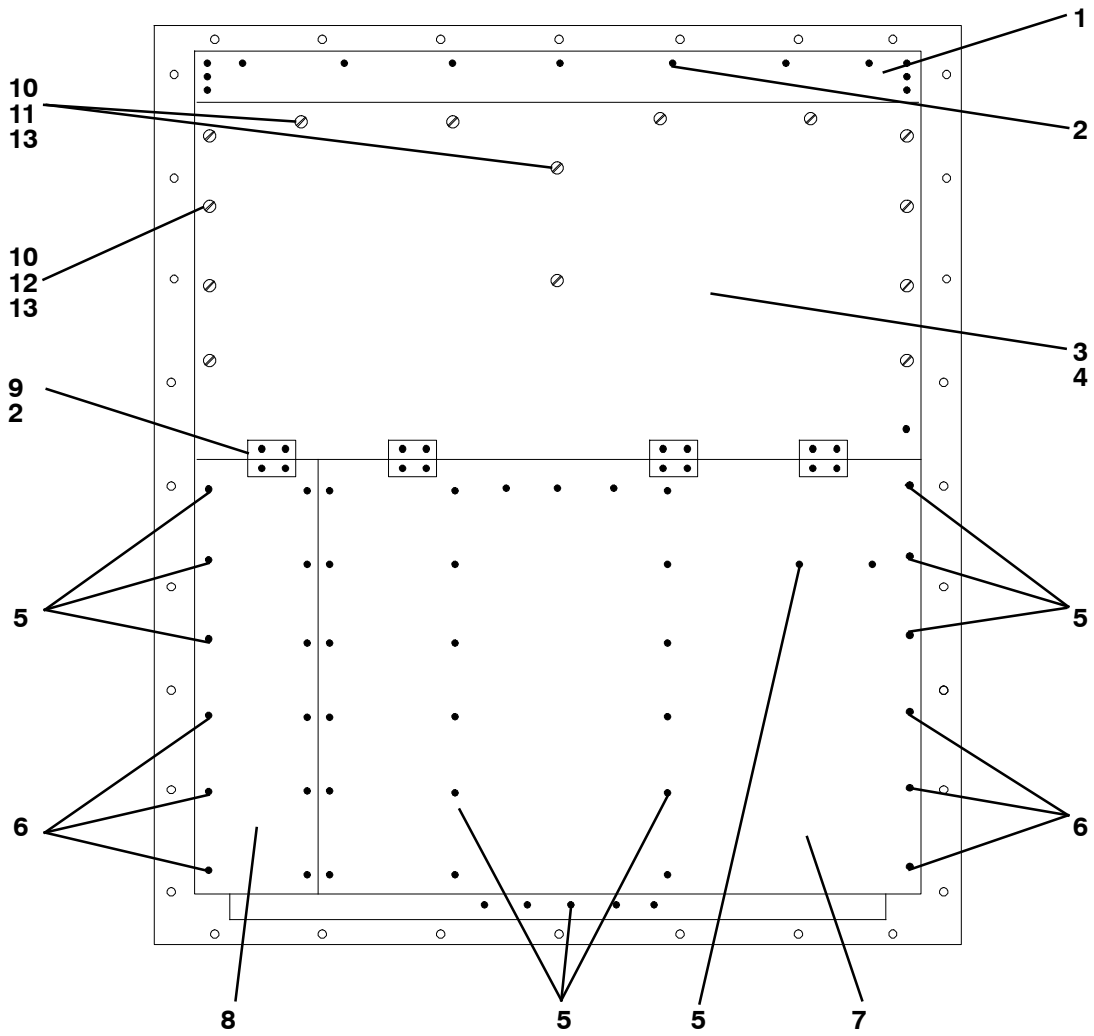
2.23 BACK PANEL ASSEMBLY - OPTION 3 - ALUMINUM BOLTED WITH PROBE ACCESS DOOR



**2.23 BACK PANEL ASSEMBLY - OPTION 3 - ALUMINUM BOLTED WITH PROBE ACCESS DOOR
(Continued)**

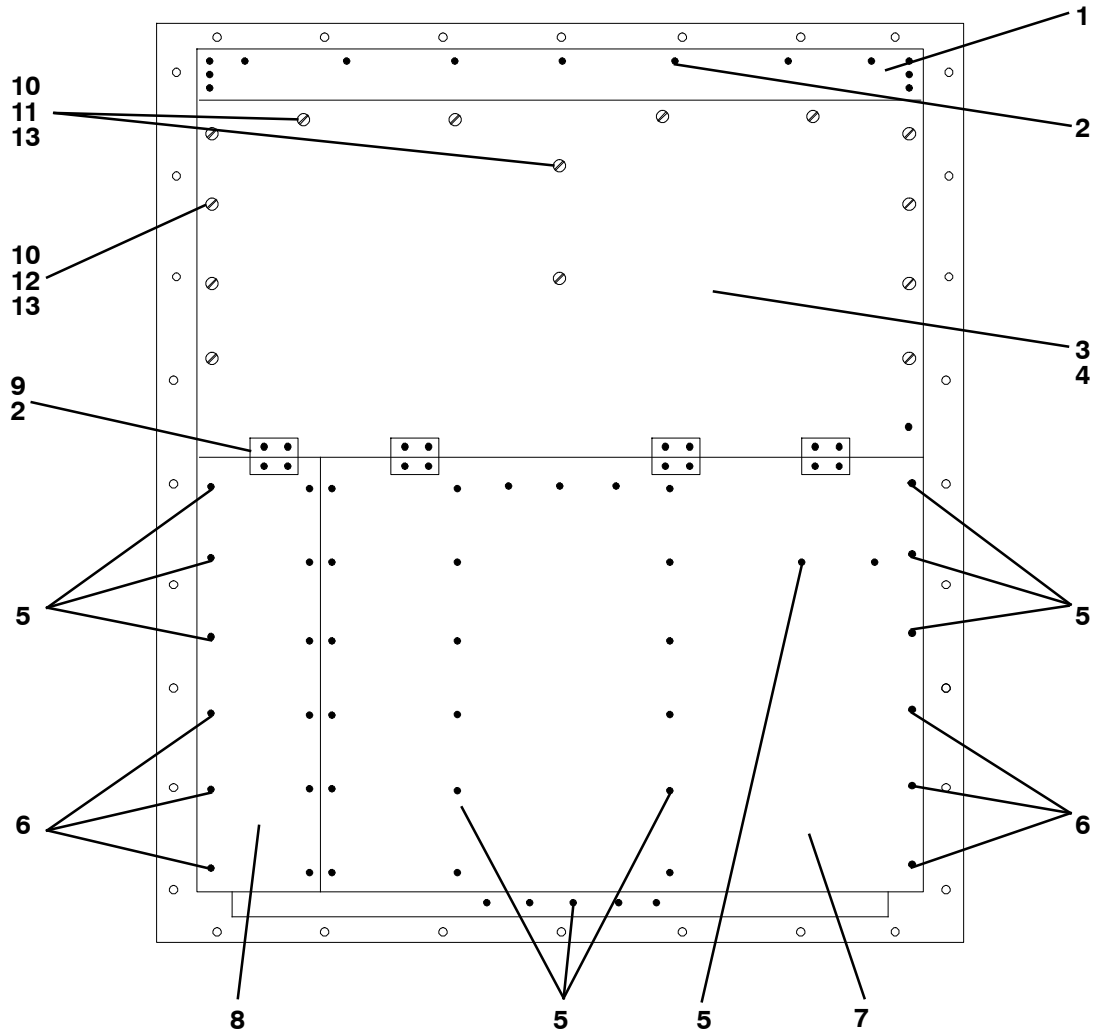
Item	Part Number	Description	Qty
1	69NT43-464	Grille, Top	1
2	34-00928-09	Rivet, Blind, 5/32 Diameter, Grip Range - 1/8-1/4	17
3	69NT41-942-3	Panel Assembly, Upper - Includes:	1
NS	NSS	Drain Pan, Side	2
NS	NSS	Drain Pan, Center	1
4	42-00334-00	Gasket (Location - Behind upper panel)	1
5	34-00928-02	Rivet, Blind, 1/8 Diameter, Grip Range - 1/8-3/16	46
6	34-00928-03	Rivet, Blind, 1/8 Diameter, Grip Range - 3/16-1/4	8
7	68-13475-04	Panel, Bottom (Painted)	1
8	68-13475-01	Panel, Bottom (Painted)	1
NS	66U1-8075	Gasket (25 ft., Cut to length)	A/R
9	34-01150-31	Receptacle, Retaining	2
10	69NT43-471	Door Assembly, Probe Access - Includes:	1
11	66U1-2803-10	Hinge	1
12	69NT35-7662-3	Spacer, Hinge	1
13	34-01150-30	Washer, Retaining	2
14	34-01150-04	Stud, 1/4 Turn, 0.97 lg.	2
15	34-00928-04	Rivet, Blind, 1/8 Diameter, Grip Range - 1/4-5/16	8
16	69NT35-3286	Plate, Door Back - Upper	1
17	69NT35-3296	Plate, Door Back - Lower	1
18	66U1-2403	Screw, Machine, Truss Head, #10-24 x 1/2 lg. - SST	18
19	69NT35-2692	Washer, Fender, #10 x 1.00 OD - SST	18

2.24 BACK PANEL ASSEMBLY - OPTION 4 - ALUMINUM HINGED



2.24 BACK PANEL ASSEMBLY - OPTION 4 - ALUMINUM HINGED (Continued)			
Item	Part Number	Description	Qty
1	69NT43-464	Grille, Top	1
2	34-00928-09	Rivet, Blind, 5/32 Diameter, Grip Range - 1/8-1/4	37
3	69NT41-942-4	Panel Assembly, Upper - Includes:	1
NS	NSS	Drain Pan, Side	2
NS	NSS	Drain Pan, Center	1
4	42-00334-00	Gasket (Location - Behind upper panel)	1
5	34-00928-02	Rivet, Blind, 1/8 Diameter, Grip Range - 1/8-3/16	46
6	34-00928-03	Rivet, Blind, 1/8 Diameter, Grip Range - 3/16-1/9	3
7	68-13475-00	Panel, Bottom, (Painted)	1
	68-13475-08	Panel, Bottom, (Unpainted)	1
8	68-13475-01	Panel, Bottom (Provision for USDA location), (Painted)	1
	68-13475-09	Panel, Bottom (Provision for USDA location), (Unpainted)	1
NS	66U1-8075	Gasket (25 ft., Cut to length)	A/R
9	69NT35-3282	Hinge	4
10	34-01150-30	Washer, Retaining	14
11	34-01150-06	Stud, 1/4 Turn, 1.03 lg.	6
12	34-01150-03	Stud, 1/4 Turn, 0.94 lg.	8
13	34-01150-31	Receptacle, Retaining	14

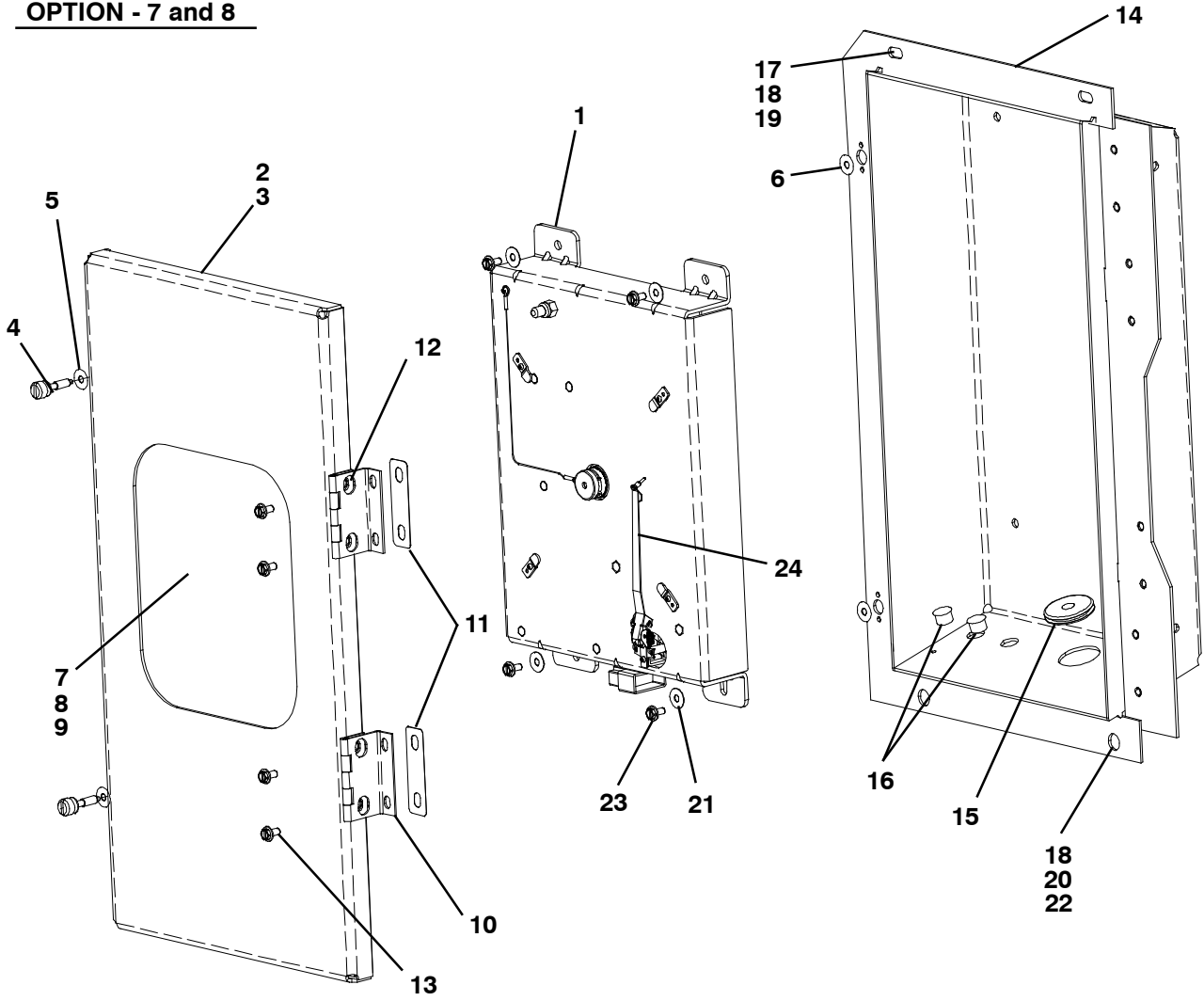
2.25 BACK PANEL ASSEMBLY - OPTION 5 - STAINLESS STEEL HINGED



2.25 BACK PANEL ASSEMBLY - OPTION 5 - STAINLESS STEEL HINGED (Continued)			
Item	Part Number	Description	Qty
1	69NT43-464	Grille, Top	1
2	34-00928-09	Rivet, Blind, 5/32 Diameter, Grip Range - 1/8-1/4	37
3	69NT41-942-5	Panel Assembly, Upper - Includes:	1
NS	NSS	Drain Pan, Side	2
NS	NSS	Drain Pan, Center	1
4	42-00334-00	Gasket (Location - Behind upper panel)	1
5	34-00928-02	Rivet, Blind, 1/8 Diameter, Grip Range - 1/8-3/16	46
6	34-00928-03	Rivet, Blind, 1/8 Diameter, Grip Range - 3/16-1/9	3
7	69NT35-6598	Panel, Bottom. SST	1
8	69NT35-6598-1	Panel, Bottom (Provision for USDA location), SST	1
NS	66U1-8075	Gasket (25 ft., Cut to length)	A/R
9	69NT35-3282	Hinge	4
10	34-01150-30	Washer, Retaining	14
11	34-01150-06	Stud, 1/4 Turn, 1.03 lg.	6
12	34-01150-03	Stud, 1/4 Turn, 0.94 lg.	8
13	34-01150-31	Receptacle, Retaining	14

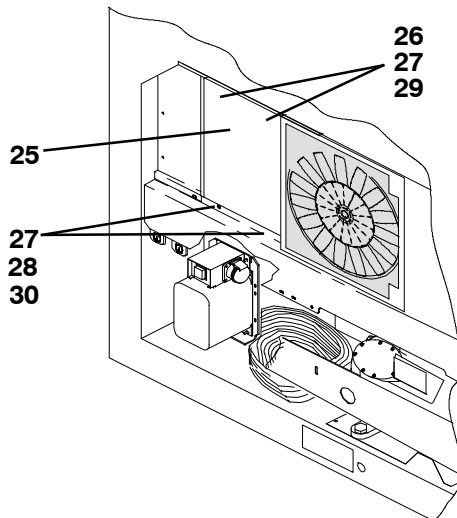
2.26 OPTION 7 AND OPTION 8 - ELECTRONIC PARTLOW TEMPERATURE RECORDER

OPTION - 7 and 8



2.27 OPTION 9 - NO TEMPERATURE RECORDER

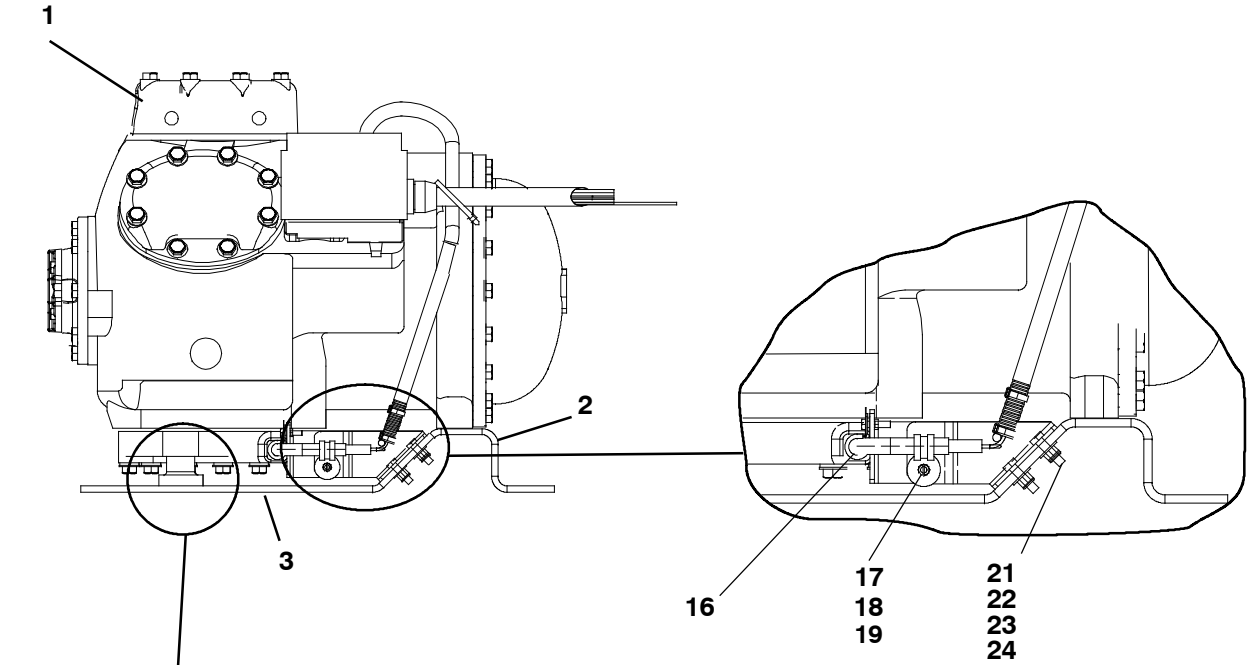
OPTION 9



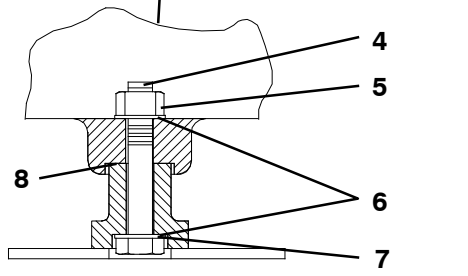
2.26 OPTION 7 AND OPTION 8 - ELECTRONIC PARTLOW TEMPERATURE RECORDER (Continued)			
Item	Part Number	Description	Qty
-	76-00701-11 OPTION 7	Partlow Recorder Kit, Standard - Includes: Recorder, Box & Door Assys (For field installation, units provisioned for - Refer to Unit Matrix)	1
1	12-00464-08	Electronic Temperature Recorder	1
-	76-00701-10 OPTION 8	Partlow Recorder Kit, Special - Includes: Recorder, Box & Door Assys (For field installation, units provisioned for - Refer to Unit Matrix)	1
1	12-00464-04	Electronic Temperature Recorder	1
2	76-00701-05	Door Assembly - Includes:	1
3	42-01098-01	Seal, Door - Rubber	1
4	66U1-6811-8	Screw, Retaining - .300 - .625 Panel Thickness - SST	2
5	34-06053-00	Washer, .25 I.D. x 1.00 O.D. - Mylar	4
6	34-06169-00	Washer, Retaining - SST	2
7	69NT35-5022-5	Window	1
8	69NT35-5352-1	Gasket	1
9	34-00795-09	Nut, Selflock, 1/4-20	4
10	44-00374-00	Hinge	2
11	58-04101-07	Protector - Mylar	4
12	34-06179-04	Screw, Hex Head, SEMS, #10-24 x 5/16 lg.	4
13	34-06179-00	Screw, Hex Head, #10-24 x 7/16 lg. - SST	4
14	76-00701-06SV	Box Assembly - Includes:	1
15	58-00065-67	Grommet, 3/8 ID x 1.25 OD	1
16	58-00065-70	Plug, Hole, .50 DIA	2
17	66U1-5321-7	Washer, Flat, 1/4 - SST	2
18	66U1-5361-25	Screw, Cap, Hex Head, 1/4-20 x .75 lg. - SST	4
19	34-06053-13	Washer, Retaining, .19 I.D. x .80 O.D. - Mylar	2
20	69NT35-2692-1	Washer, Fender, 1/4 I.D. x .993-1.015 O.D.	2
21	34-06053-05	Washer, 1/4 I.D. x 1 O.D. - Mylar	4
22	34-06053-03	Washer, .25 I.D. x .19 O.D. - Mylar	2
23	34-06179-00	Screw, Hex Head, SEMS, #10-24 x 7/16 lg.	4
24	09-00371-00	Stylus, Electronic Partlow Kit, Includes	
NS	-	Chart - Owner Supplied	A/R
NS	09-00128-00	Charts F - 31 Day (Box of 50) (-20F to +80F)	A/R
NS	09-00128-01	Charts C - 31 Day (Box of 50) (-25C to +25C)	A/R
NS	66U1-3882	Wire Tie	A/R
NS	58-04246-00	Base, Wire Tie	A/R

2.27 OPTION 9 - NO TEMPERATURE RECORDER (Continued)			
Item	Part Number	Description	Qty
25	68-12658-01	Panel	1
26	66U1-5321-7	Washer, Flat, 1/4 - SST	2
27	66U1-5361-25	Screw, Cap Hex Head, 1/4-20 x .75 lg. - SST	4
28	69NT35-2692-1	Washer, Fender, 1/4 I.D. x .993-1.015 O.D.	2
29	34-06053-13	Washer, Retaining, .195 I.D. x .80 O.D. - Mylar	2
30	34-06053-03	Washer, .25 I.D. x 1.00 O.D. - Mylar	2

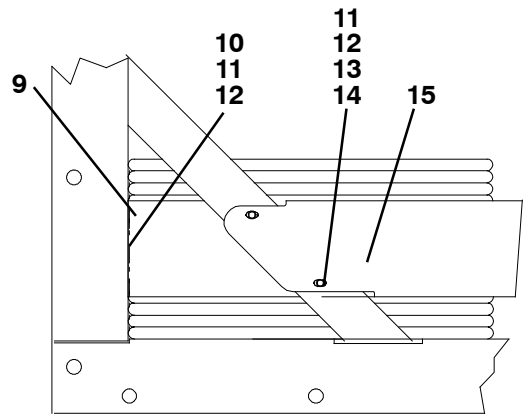
2.28 COMPRESSOR MOUNTING, GUARD, CRANKCASE HEATER COMPONENTS



OPTION C - Compressor Crankcase Heater



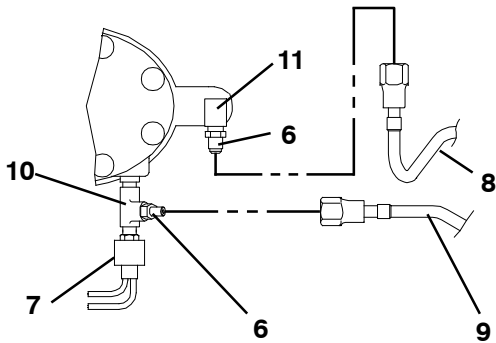
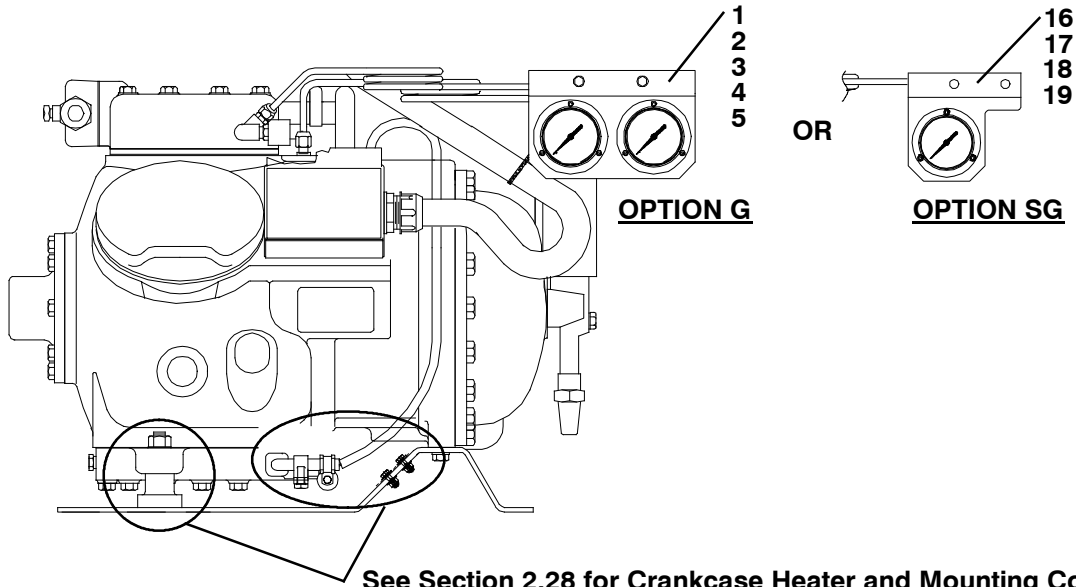
Compressor Foot - Section View



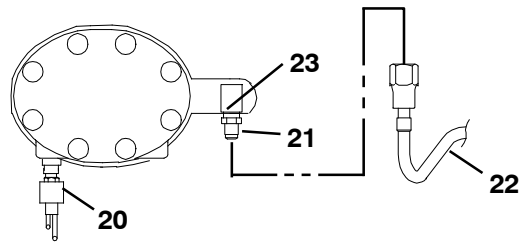
Guards - Bottom Left Corner of Unit

2.28 COMPRESSOR MOUNTING, GUARD, CRANKCASE HEATER COMPONENTS (Continued)			
Item	Part Number	Description	Qty
1	-	Compressor - Refer to Section 4	-
2	69NT35-6132	Protector (Compressor to Compressor Base)	1
3	69NT43-469	Base, Compressor	1
NS	66U1-5361-7	Bolt, Hex Head, 3/8-16 x 1.00 lg. - SST	7
NS	66U1-5321-5	Washer, Flat, 3/8 - SST	7
NS	AU11JR241	Washer, Lock, 3/8 - SST	7
NS	34-06053-02	Washer, Mylar, 0.375 ID x 1.00 OD	7
4	34-00849-22	Capscrew, 7/16-14 x 2-3/4 lg. - SST	2
5	34-00667-14	Locknut, 7/16-14 - SST	2
6	66U1-5321-8	Washer, Flat, 7/16 - SST	4
7	34-06053-07	Washer, Mylar, 0.438 ID x 0.922 OD	2
8	34-06053-01	Washer, Mylar, 0.438 ID x 1.125 OD	2
9	68-12993-00	Panel, Guard	1
	68-12523-00	Panel, Guard - Large	1
10	66U1-5361-25	Screw, Hex Head, 1/4-20 x 3/4 lg. - SST	1
11	66U1-5321-7	Washer, Flat, 1/4 - SST	9
12	34-06053-00	Washer, Mylar, 1/4 ID x 3/4 OD	9
13	66U1-5361-11	Capscrew, Hex Head, 1/4-20 x 1-1/2 lg. - SST	4
14	34-00667-11	Locknut, 1/4-20 - SST	4
15	68-12432-00	Guard, Compressor, .125 Thick Alum. (Blue)	1
	68-12432-01	Guard, Compressor, .090 Thick Alum. (Blue)	1
	68-12432-02	Guard, Compressor, .090 Thick Alum. (White)	1
	68-12432-03	Guard, Compressor, .125 Thick Alum., For Right Extended Guard (Blue)	1
OPTION C - CRANKCASE HEATER			
-	77-01018-05	Crankcase Heater Installation Kit - Includes:	1
16	24-02019-00	Heater, Compressor Crankcase (CCH) NSS	1
17	44-00370-03	Clamp, Tube,Cushioned, 1/2 Diameter - SST	1
18	34-06053-00	Washer, Mylar, 1/4 ID x 1.0 OD	1
19	66U1-5371-6	Screw, Machine Hex Head, #10-24 x .75 lg. - SST	1
20	69NT-35-8284	Bracket, Heater Mounting	1
NS	66U1-3882	Wire Tie	1
NS	66U1-3803	Heat Shrink Tubing	3
NS	22-01292-00	Butt Splice	3
NS	02-00086-00	Thermo Grease	1
21	34-00655-08	Screw, Hex Head, 1/4-20 x 1.00 lg - SST	2
22	34-06053-00	Washer, Mylar, 0.25 ID x 0.75 OD	4
23	34-00662-11	Washer, Flat, 1/4 x 0.05 Thk.	4
24	34-00667-11	Locknut, 1/4-20	2

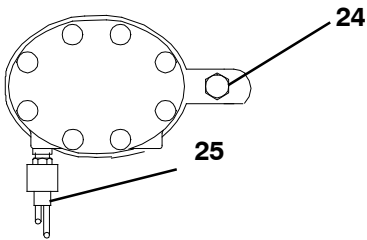
2.29 COMPRESSOR GAUGES AND TRANSDUCERS



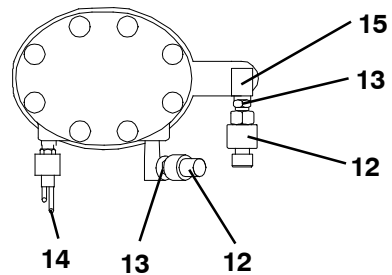
OPTION G - Center Cylinder Head View with Both Gauges



OPTION SG - Center Cylinder Head View with Suction Gauge Only



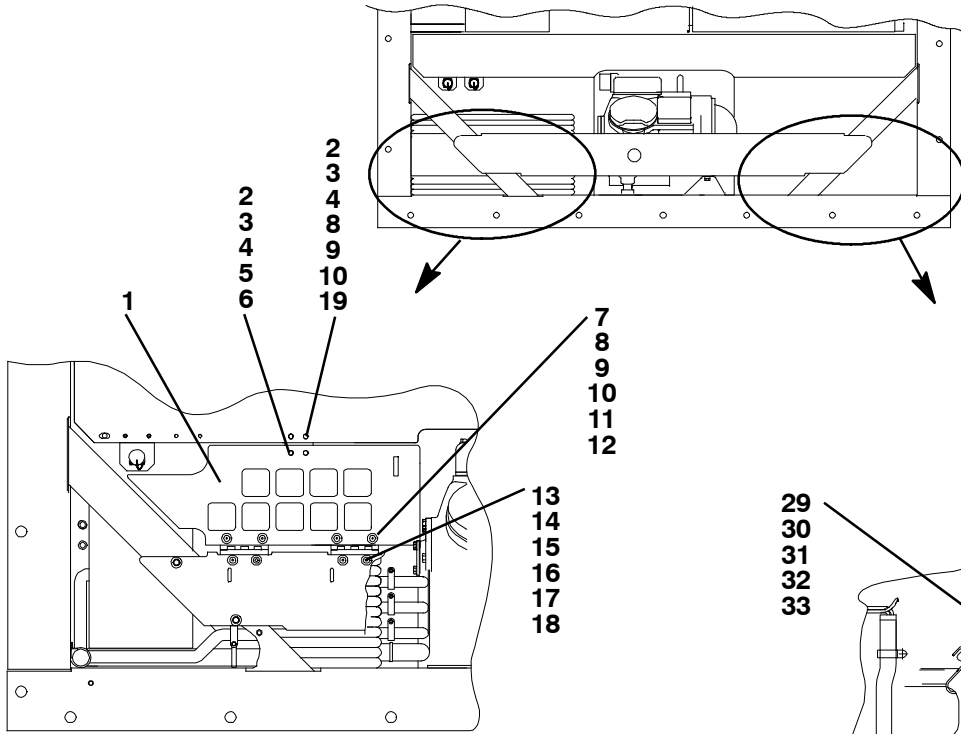
OPTION - - Center Cylinder Head View without Gauges



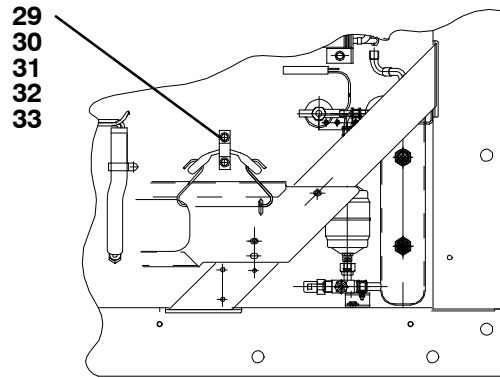
OPTION T - Center Cylinder Head View with Pressure Transducers

2.29 COMPRESSOR GAUGES AND TRANSDUCERS (Continued)			
Item	Part Number	Description	Qty
OPTION G - PRESSURE GAUGES			
1	69NT41-106-2	Stiffener Assembly	1
NS	66U1-5321-8	Washer, Flat, #10 - SST	2
NS	66U1-5371-6	Screw, Hex Head, #10-24 x 3/4 lg. - SST	2
NS	34-06053-05	Washer, Mylar, 0.205 ID x 0.600 OD	2
2	68-13472-03SV	Bracket Assembly, Gauge	1
3	12-01124-02	Gauge, Suction Pressure	1
4	12-01125-02	Gauge, Discharge Pressure	1
5	66U1-6651-19	Screw, Pan Head, #6-32 x 7/16 lg. - SST	6
6	06DA403-844	Valve Assembly, Core, Check (Schrader Valve) - Brass	2
7	12-00309-06	Switch, High Pressure (HPS)	1
NS	22-02392-00SV	Connector, Female, 2 Pin Used w/12-00309-03 (Includes terminals & cable seal)	1
8	69NT41-553	Tube Assembly, Low Pressure	1
9	69NT41-543	Tube Assembly, High Pressure	1
10	CA21JA051	Tee, 1/4 npt	1
11	40-00060-02	Elbow, 90 Street, 1/4 FPT x 1/4 MPT - Brass	1
OPTION T - PRESSURE TRANSDUCERS			
12	12-00352-00	Transducer, Pressure	2
13	06DA403-844	Valve Assembly, Core, Check (Schrader Valve) - Brass	2
14	12-00309-06	Switch, High Pressure (HPS)	1
NS	22-02392-00SV	Connector, Female, 2 Pin Used w/12-00309-03 (Includes terminals & cable seal)	1
15	40-00060-02	Elbow, 90 Street, 1/4 FPT x 1/4 MPT - Brass	1
OPTION SG - SUCTION PRESSURE GAUGE ONLY			
16	69NT41-106-2	Stiffener Assembly	1
NS	66U1-5321-8	Washer, Flat, #10 - SST	2
NS	66U1-5371-6	Screw, Hex Head, #10-24 x 3/4 lg. - SST	2
NS	34-06053-05	Washer, Mylar, 0.205 ID x 0.600 OD	2
17	68-13472-01	Bracket Assembly, Gauge	1
18	12-01124-02	Gauge, Suction Pressure	1
19	66U1-6651-19	Screw, Pan Head, #6-32 x 7/16 lg. - SST	3
20	12-00309-06	Switch, High Pressure (HPS)	1
NS	22-02392-00SV	Connector, Female, 2 Pin Used w/12-00309-03 (Includes terminals & cable seal)	1
21	06DA403-844	Valve Assembly, Core, Check (Schrader Valve) - Brass	2
22	69NT41-553	Tube Assembly, Low Pressure	1
23	40-00060-02	Elbow, 90 Street, 1/4 FPT x 1/4 MPT - Brass	1
OPTION - - NO GAUGES			
24	40-00123-02	Plug, Pipe, 1/4-18 NPTF - Brass	1
25	12-00309-06	Switch, High Pressure (HPS)	1
NS	22-02392-00SV	Connector, Female, 2 Pin Used w/12-00309-03 (Includes terminals & cable seal)	1

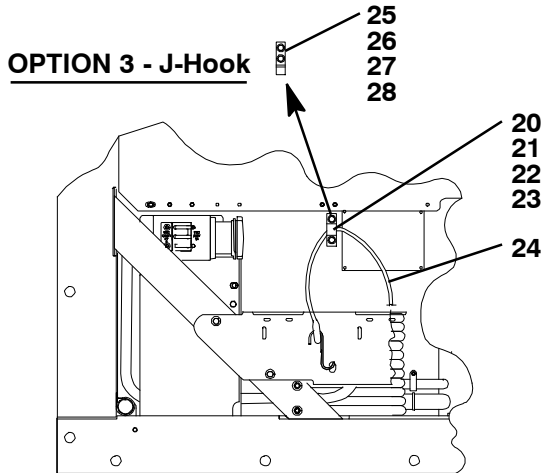
2.30 CABLE RESTRAINT COMPONENTS



OPTION 1 - Cable Door

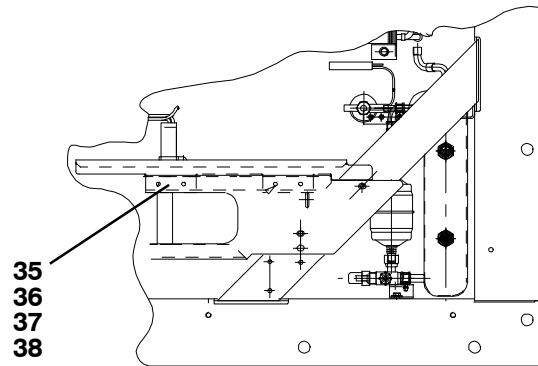


OPTION 4 and 6 - Right Side Bungy Cord

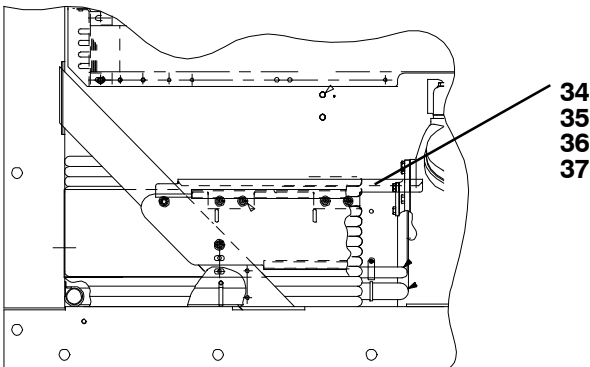


OPTION 3 - J-Hook

OPTION 2, 4, 5 and 6 - Left Side Bungy Cord



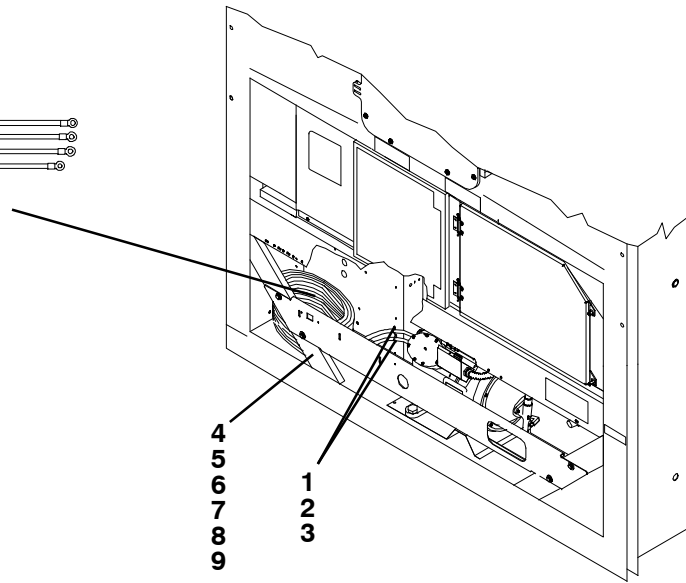
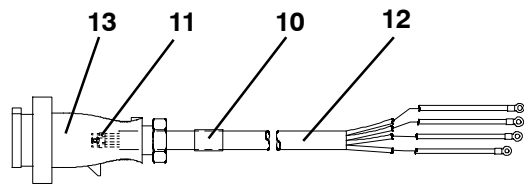
OPTION 6 - Right Side Extended Guard



OPTION 5 and 6 - Left Side Extended Guard

2.30 CABLE RESTRAINT COMPONENTS (Continued)			
Item	Part Number	Description	Qty
OPTION 1 - CABLE DOOR			
1	69NT41-724-4	Cover Assembly w/Latch, Cable Storage - Includes:	1
2	34-06126-08	Screw, Hex Head, #4-40 x 1/2 lg. - SST	2
3	34-00662-05	Washer, Flat, #4 -SST	4
4	34-00667-05	Locknut, Hex Head, #4-40	2
5	34-06053-08	Washer, Mylar, 1/8 ID x 3/8 OD	2
6	44-00340-03	Latch	1
7	69NT35-8032	Hinge	2
8	66U1-2403	Screw, Truss Head, #10-24 x 1/2 lg. - SST	4
9	66U1-5321-8	Washer, Flat, #10	4
10	34-00667-09	Locknut, Hex Head, #10-24 - SST	4
11	34-06053-05	Washer, Mylar, 3/16 ID x 5/8 OD	4
12	58-04001-02	Protector, Mylar	2
13	58-04001-01	Protector, Mylar	1
14	34-06053-05	Washer, Mylar, 3/16 ID x 5/8 OD	2
15	34-01167-01	Retainer, Nut	1
16	66U1-2403	Screw, Truss Head, #10-24 x 1/2 lg. - SST	2
17	66U1-5321-8	Washer, Flat, #10 - SST	2
18	66U1-5331-3	Washer, Lock, #10 - SST	4
19	44-00340-05	Latch, Catch	1
OPTION 2 - LEFT BUNGY CORD ONLY			
20	69NT35-5992	Cable Restraint	1
21	66U1-5321-7	Washer, Flat, 1/4 - SST	2
22	66U1-5361-25	Screw, Cap, Hex, Head, 1/4-20 x .75 lg - SST	2
23	34-06053-03	Washer, Mylar, .25 I.D. X 1.00 O.D.	2
24	66U1-2603	Strap, Tie Down	1
OPTION 3 - J-HOOK			
25	69NT35-8382	Cable Restraint, J-Hook	1
26	58-04026-22	Protector, Mylar	1
27	66U1-5321-7	Washer, Flat, 1/4 - SST	2
28	66U1-5361-25	Screw, Cap, Hex, Head, 1/4-20 x .75 lg - SST	2
OPTION 4 - LEFT AND RIGHT BUNGY CORD			
Use Option 2 Plus the Items Below			
29	66U1-2603	Strap, Tie Down	1
30	69NT35-5992	Cable Restraint	1
31	66U1-5361-25	Screw, Cap, Hex, Head, 1/4-20 x .75 lg - SST	2
32	66U1-5321-7	Washer, Flat, 1/4 - SST	2
33	34-06053-03	Washer, Mylar, .25 I.D. X 1.00 O.D.	2
OPTION 5 - LEFT BUNGY CORD WITH LEFT EXTENDED GUARD			
Use Option 2 Plus the Items Below			
34	68-13310-00	Bracket, Left	1
35	66U1-2403	Screw, Truss Head, #10-24 x 1/2 lg. - SST	A/R
36	66U1-5321-8	Washer, Flat, #10 - SST	A/R
37	34-06053-05	Washer, Mylar, 3/16 ID x 5/8 OD	A/R
OPTION 6 - LEFT AND RIGHT BUNGY CORD WITH EXTENDED GUARDS			
Use Option 4 and 5 Plus the Items Below			
38	68-13310-01	Bracket, Right	1

2.31 VOLTAGE CABLES



Item	Part Number	Description	Qty
------	-------------	-------------	-----

CLAMPS ON BACK WALL AND CABLE CUTTERS

1	34-00373-56	Clamp, Tube, Cushioned, 9/16 Diameter (Used with Transicord)	A/R
	34-00373-59	Clamp, Tube, Cushioned, 3/4 Diameter	A/R
2	66U1-5381-1	Screw, Hex Head, #10-24 x 3/4 lg. - SST	A/R
3	34-06053-03	Washer, Mylar, 1/4 ID x 1.00 OD	A/R
4	69NT35-6412-2	Clamp, Cable Cutter, 8 AWG cable	1
	68-14456-00	Clamp, Cable Cutter, 10 AWG cable	1
	58-14456-01	Clamp, Cable Cutter, 11 AWG cable	1
5	58-04026-07	Protector, Mylar	A/R
6	66U1-5361-11	Screw, Machined Hex Head, 1/4-20 x 1-1/2 lg. - SST	A/R
7	34-00667-11	Locknut, Hex Head, 1/4-20 - SST	A/R
8	66U1-5321-7	Washer, Flat, 1/4 - SST	A/R
9	34-06053-03	Washer, Mylar, 0.25 I.D. x 1.00 O. D.	A/R

460V CABLES

STANDARD PARTS FOR ALL 460V CABLES

10	66U1-2583	Heat Shrink Tube (Coil Label) - "460V"	1
11	22-02324-01	Bushing (Used with Standard Cable)	4
	22-02324-05	Bushing (Used with Transicord)	4

OPTION 1

12	66U1-9782	Cable, Power - Yellow, 10/4	A/R
13	22-02378-00Pk10	Plug, Power	1

OPTION 2

12	22-01551-00	Cable, Power - Yellow, 33 amp, 11 AWG	A/R
13	22-02378-00Pk10	Plug, Power	1

OPTION 3

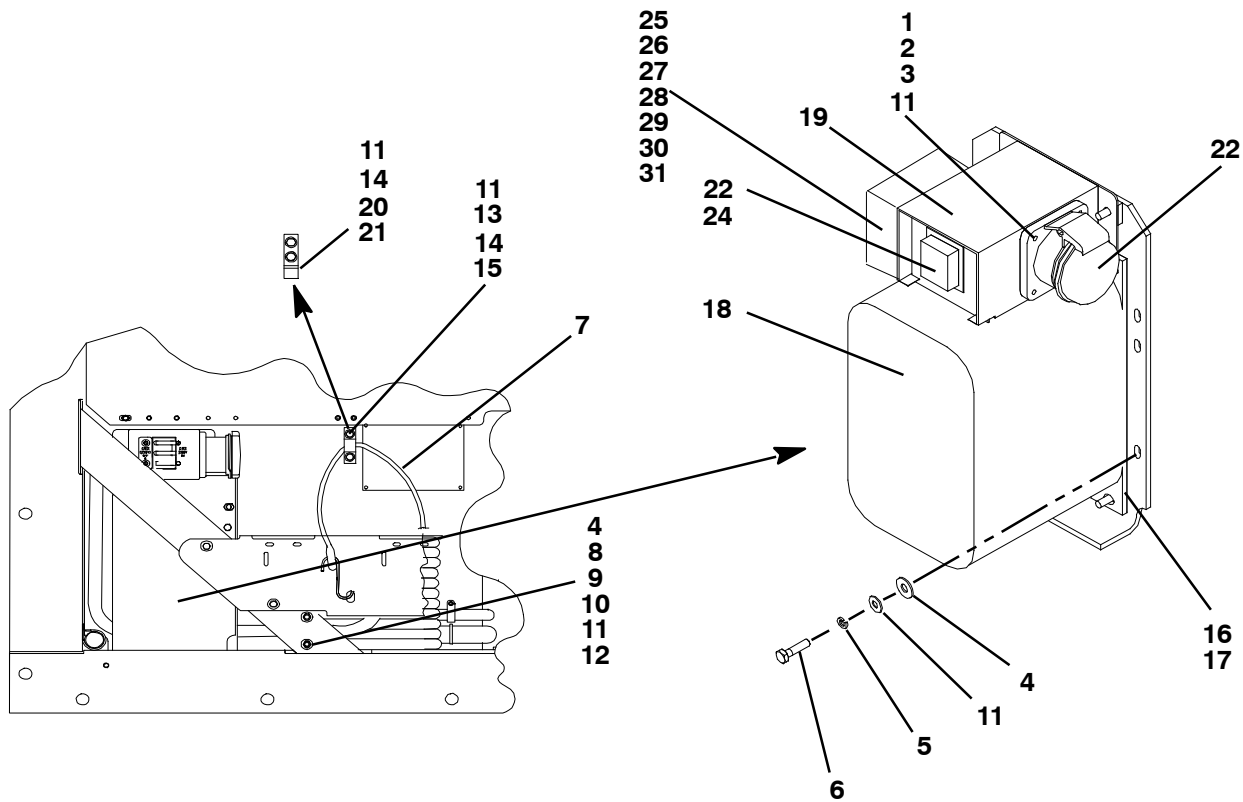
12	66U1-9782	Cable, Power - Yellow, 10/4	A/R
13	22-66641-10	Plug, Power	1

OPTION 4

12	22-01551-00	Cable, Power - Yellow, 33 amp, 11 AWG	A/R
13	22-66641-10	Plug, Power	1

2.31 VOLTAGE CABLES (Continued)			
Item	Part Number	Description	Qty
OPTION 6			
12	22-01551-00	Cable, Power - Yellow, 33 amp, 11 AWG	A/R
13	22-66641-10	Plug, Power	1
OPTION 7			
12	66U1-9782	Cable, Power - Yellow, 10/4	A/R
13	22-01891-00	Plug, Power	1
OPTION 8			
12	66U1-9782	Cable, Power - Yellow, 10/4	A/R
13	22-01932-00	Plug, Power	1
OPTION 9			
12	66U1-9782	Cable, Power - Yellow, 10/4	A/R
13	22-02232-00	Plug, Power	1
230V CABLES			
STANDARD PARTS FOR ALL 230V CABLES			
10	66U1-2583-1	Heat Shrink Tube (Coil Label) - "230V"	1
11	22-02324-02	Bushing (Used with 8 AWG)	4
12	66U1-9782-1	Cable, Power - Black, 35 amps, 8 AWG	A/R
OPTION 1			
13	22-02188-00	Plug, Power	1
OPTION 2			
13	22-02375-00	Plug, Power	1
OPTION 3			
13	66U1-6782-3	Plug, Power	1
OPTION 4			
13	22-01744-00	Plug, Power	1
OPTION 5			
13	22-02322-00	Plug, Power	1
OPTION 6			
13	22-01884-00	Plug, Power	1
OPTION 7			
13	66U1-6782	Plug, Power	1
OPTION 8			
13	22-01931-00	Plug, Power	1
OPTION 9			
13	22-01906-00	Plug, Power	1

2.32 AUTOTRANSFORMER KIT

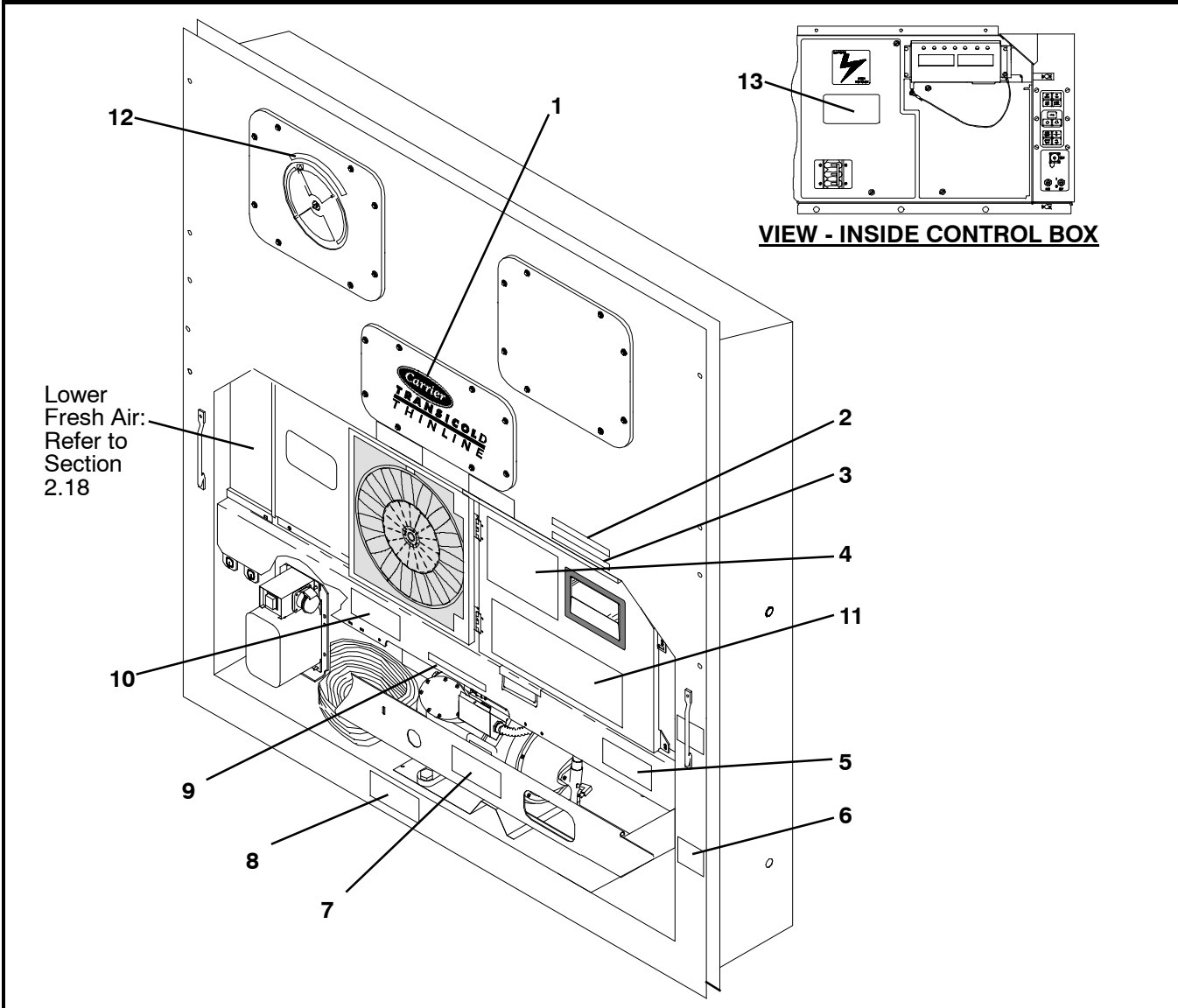


Item	Part Number	Description	Qty
STANDARD PARTS INCLUDED IN EVERY 76-00670 SERVICE KIT			
1	66U1-5371-7	Screw, Hex Head, #10-24 x 1/2 lg. - SST	4
2	66U1-5321-8	Washer, Flat, #10 - SST	4
3	34-06053-05	Washer, Mylar, 0.205 ID x 0.600 OD	4
4	34-06053-00	Washer, Mylar, 0.250 ID x 0.800 OD	5
5	AU11JR171	Washer, Lock, 1/4 - SST	5
6	AA06JA170	Screw, Hex Head, 1/4-20 x 1.00 lg.	5
7	66U1-2603	Strap, Tie Down	1
8	69NT35-6412-2	Clamp, Cable Cutter, 8 AWG cable	A/R
	69NT35-6412	Clamp, Cable Cutter, 10 AWG cable	A/R
	69NT35-6412-1	Clamp, Cable Cutter, 11 AWG cable	A/R
9	58-04026-07	Protector, Mylar	1
10	66U1-5361-11	Screw, Machined Hex Head, 1/4-20 x 1-1/2 lg. - SST	2
11	66U1-5321-7	Washer, Flat, 1/4 - SST	A/R
12	34-00667-11	Locknut, Hex Head, 1/4-20 - SST	2
13	69NT35-5992	Clamp, Tie Down Strap	1
14	66U1-5361-25	Bolt, Hex Head, 1/4-20 x 3/4 lg. - SST	A/R
15	34-06053-03	Washer, Mylar, 0.25 ID x 1.00 O.D.	2
16	69NT43-374	Bracket Assembly	1
17	58-04026-17	Protector, Mylar	1

2.32 AUTOTRANSFORMER KIT (Continued)

Item	Part Number	Description	Qty
OPTION 1 - AUTOTRANSFORMER			
See Previous Page for Standard Parts Included in the Kit and use with Items Below			
-	76-00670-02	Transformer Kit, Field Installation, without CB2 - Includes:	1
18	10-01139-04	Transformer, Dual Voltage Modular	1
NS	22-01778-00	Terminal Block - Used only without CB2	1
19	69NT43-470-1	Box Assembly	1
20	69NT35-8382	Clamp, Tie Down Strap	1
21	58-04026-22	Protector, Mylar	1
OPTION 2 - AUTOTRANSFORMER WITH CB2 AND RECEPTACLE			
See Previous Page for Standard Parts Included in the Kit and use with Items Below			
-	76-00670-01	Transformer Kit, Field Installation, with CB2 - Includes:	1
18	10-01139-04	Transformer, Dual Voltage Modular	1
19	69NT43-470	Box Assembly - Used only with CB2	1
22	22-01679-00	Receptacle, 32 Amp	1
	22-01679-01	Receptacle, w/ Screw Cap - 32 Amp, Alternate, SOLD SEPARATELY	1
20	69NT35-8382	Clamp, Tie Down Strap	1
21	58-04026-22	Protector, Mylar	1
-	76-00667-05	Circuit Breaker Kit, Field Installation - Includes:	1
23	10-00083-05	Circuit Breaker, 70 amp - 250 vac, 50/60 hz	1
24	66U2-1531	Boot - Includes:	1
NS	NSS	Frame	1
NS	NSS	Screw, Self Sealing, #6-32 x 3/8 lg. - SST	6
OPTION 3 - AUTOTRANSFORMER WITH CB2 AND BRIDGING UNIT			
See Previous Page for Standard Parts Included in the Kit and use with Items Below			
-	76-00670-03	Transformer Kit, Field Installation, with CB2 and TBU - Includes:	1
18	10-01139-04	Transformer, Dual Voltage Modular	1
19	69NT43-470-2	Box Assembly	1
20	69NT35-8382	Clamp, Tie Down Strap	1
21	58-04026-22	Protector, Mylar	1
-	76-00667-05	Circuit Breaker Kit, Field Installation - Includes:	1
22	10-00083-05	Circuit Breaker, 70 amp - 250 vac, 50/60 hz	1
24	66U2-1531	Boot - Includes:	1
NS	NSS	Frame	1
NS	NSS	Screw, Self Sealing, #6-32 x 3/8 lg. - SST	6
25	12-00474-00	Bridge Unit, Transformer	1
26	42-00470-00	Gasket, Transformer Bridge Unit	1
27	34-06221-00	Screw, Hex Head, #10-24 x 2.50 lg. - SST	2
28	34-00667-09	Locknut, Hex Head, #10-24 - SST	2
29	66U1-5321-8	Washer, Flat #10 - SST	2
30	34-06053-05	Washer, Mylar 0.205 I.D. x 0.600 O.D.	2
31	22-02324-01	Bushing, 0.142 I.D. x 0.472 O.D.	3
OPTION 4 - AUTOTRANSFORMER WITH CB2 AND RECEPTACLE			
See Previous Page for Standard Parts Included in the Kit and use with Items Below			
-	76-00670-04	Transformer Kit, Field Installation, with CB2 - Includes: Everything in kit 76-00670-01 except replace Item #22 with below	1
22	22-01734-01	Receptacle, 32 Amp	1

2.33 LABELS AND DECALS (Not Applicable to All Units)

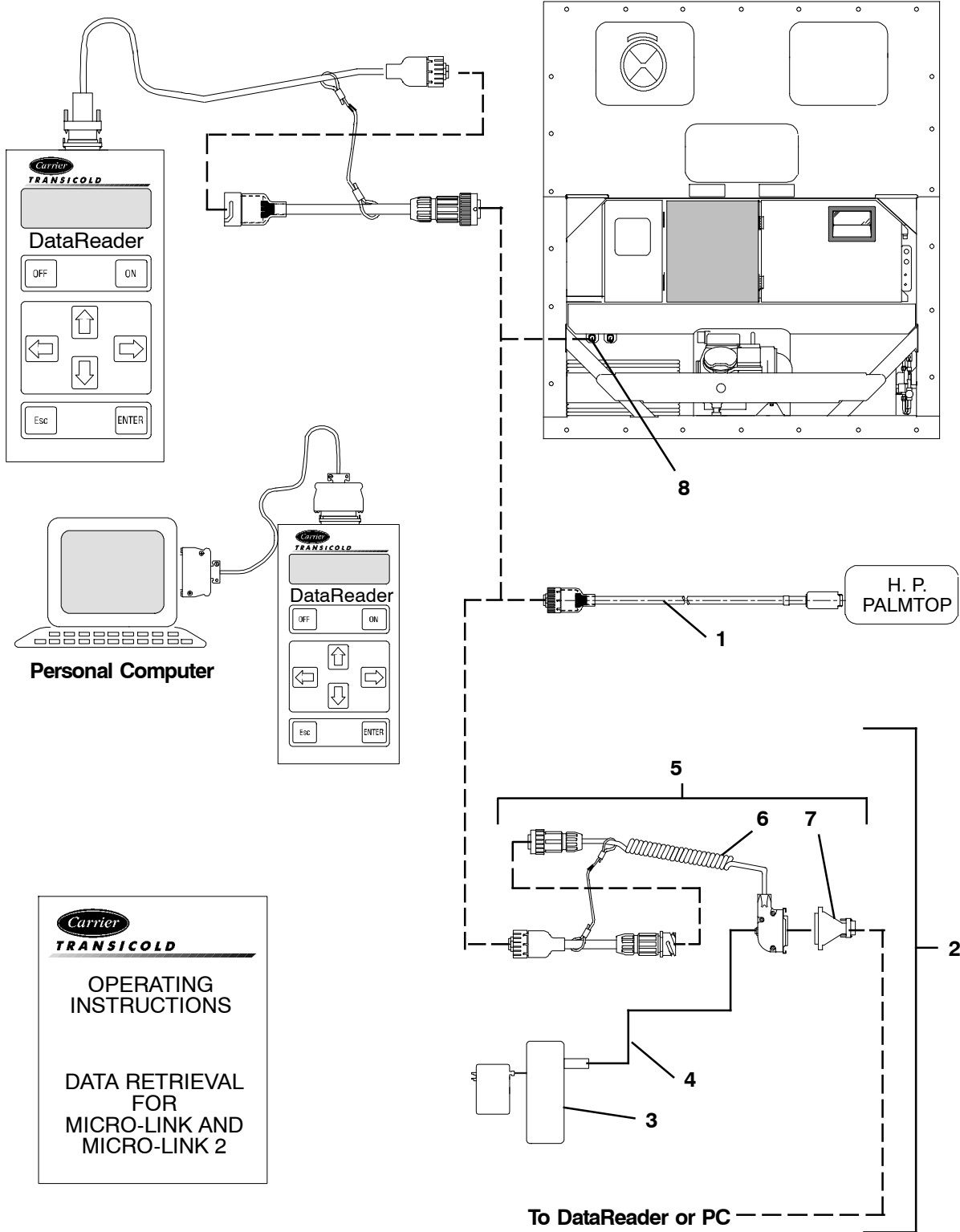


Item	Part Number	Description	Qty
STANDARD LABELS			
1	62-10769-00	Decal, Carrier Thinline	1
2	69NT35-3867	Label, Economy Mode	1
3	69NT35-3907	Label, Humidity Control Sensor	1
4	62-02721-00	Label, Function Code - <i>English</i>	1
	62-02721-03	Label, Function Code, with Single Evaporator Fan Capability - <i>English</i>	1
5	62-10902-02	Label, USDA Cold Certified	1
	62-10902-03	Label, Micro-Link 3 with USDA Cold Certified	1
	62-10902-04	Label, Micro-Link 3 without USDA Cold Certified	1
6	62-02444-01	Label, Charge with R-134a	1
7	62-02530-01	Label, R-134a - Ozone Protection - <i>English</i>	1
	62-02530-01	Label, R-134a - Ozone Protection, Umbrella Only - <i>English</i>	1
8	62-02458-00	Label, POE Compressor Oil	1
9	69NT35-8218	Label, Equipped w/Crankcase Heater (CCH)	1
10	62-02785-00	Label, CE	1
NS	69NT35-6118	Label, USDA (Location - Back of Unit, top left side)	1

2.33 LABELS AND DECALS (Continued)			
Item	Part Number	Description	Qty
OPTION 1 - ENGLISH			
11	62-02720-00	Label, Operating Instructions (Partlow w/ Return Air)	1
11	62-02743-14	Label, Operating Instructions (Partlow w/ Supply Air)	1
11	62-02743-16	Label, Operating Instructions (Electronic Partlow w/ Supply & Return Air)	1
11	62-02743-12	Label, Operating Instructions (Saginomiya w/ Supply Air)	1
11	62-02743-13	Label, Operating Instructions (Saginomiya w/ Return Air)	1
11	62-02743-18	Label, Operating Instructions (No Recorder)	1
12	62-02723-00	Label, Fresh Air Makeup - <i>English</i>	1
12	62-02723-03	Label, Fresh Air Makeup (w/ Full CMH) - <i>English</i>	1
12	62-02723-10	Label, Fresh Air Makeup (w/ Full CMH + CFM) - <i>English</i>	1
13	62-10532-00	Label, Welding Precautions - <i>English</i>	1
OPTION 2 - ENGLISH/SPANISH			
11	62-02743-01	Label, Operating Instructions (Partlow w/ Return Air) - <i>English/Spanish</i>	1
11	62-02743-10	Label, Operating Instructions (No Recorder)- <i>English/Spanish</i>	1
12	62-02723-02	Label, Fresh Air Makeup - <i>English/Spanish</i>	1
12	62-02723-04	Label, Fresh Air Makeup (w/ Full CMH) - <i>English/Spanish</i>	1
13	62-10532-02	Label, Welding Precautions - <i>English/Spanish</i>	1
OPTION 3 - ENGLISH/FRENCH			
11	62-02743-00	Label, Operating Instructions (Partlow w/ Return Air) - <i>English/French</i>	1
12	62-02723-01	Label, Fresh Air Makeup - <i>English/French</i>	1
13	62-10532-01	Label, Welding Precautions - <i>English/French</i>	1
OPTION 4 - ENGLISH/KOREAN			
11	62-02743-02	Label, Operating Instructions (Partlow w/ Return Air) - <i>English/Korean</i>	1
11	62-02743-08	Label, Operating Instructions (Saginomiya w/ Return Air) - <i>English/Korean</i>	1
12	62-02723-03	Label, Fresh Air Makeup (w/ Full CMH) - <i>English</i>	1
13	62-10532-00	Label, Welding Precautions - <i>English</i>	1
OPTION 5 - ENGLISH/TRADITIONAL CHINESE			
11	62-02743-04	Label, Operating Instructions (Partlow w/ Return Air) - <i>English/Chinese</i>	1
11	62-02743-07	Label, Operating Instructions (Saginomiya w/ Return Air) - <i>English/Chinese</i>	1
11	62-02743-19	Label, Operating Instructions (Electronic Partlow w/ Supply & Return Air) - <i>English/Chinese</i>	1
12	62-02723-06	Label, Fresh Air Makeup - <i>English/Chinese</i>	1
13	62-10532-04	Label, Welding Precautions - <i>English/Chinese</i>	1
OPTION 6 - ENGLISH/SIMPLIFIED CHINESE			
11	62-02743-15	Label, Operating Instructions (Electronic Partlow w/ Supply & Return Air) - <i>English/Simplified Chinese</i>	1
11	62-02743-04	Label, Operating Instructions (Partlow w/ Return Air) - <i>English/Simplified Chinese</i>	1
12	62-02723-05	Label, Fresh Air Makeup - <i>English/Simplified Chinese</i>	1
13	62-10532-03	Label, Welding Precautions - <i>English/Simplified Chinese</i>	1
OPTION 7 - ENGLISH/JAPANESE/CHINESE			
11	62-02743-09	Label, Operating Instructions (Saginomiya w/ Supply and Return Air) - <i>English/Japanese/Chinese</i>	1
11	62-02743-17	Label, Operating Instructions (Electronic Partlow w/ Supply & Return Air) - <i>English/Japanese/Chinese</i>	1
12	62-02723-09	Label, Fresh Air Makeup - <i>English/Japanese/Chinese</i>	1
12	62-02723-11	Label, Fresh Air Makeup - (w/ Shaded CMH) <i>English/Japanese/Chinese</i>	1
13	62-10532-06	Label, Welding Precautions - <i>English/Japanese/Chinese</i>	1

3 INTERROGATOR AND ACCESSORIES

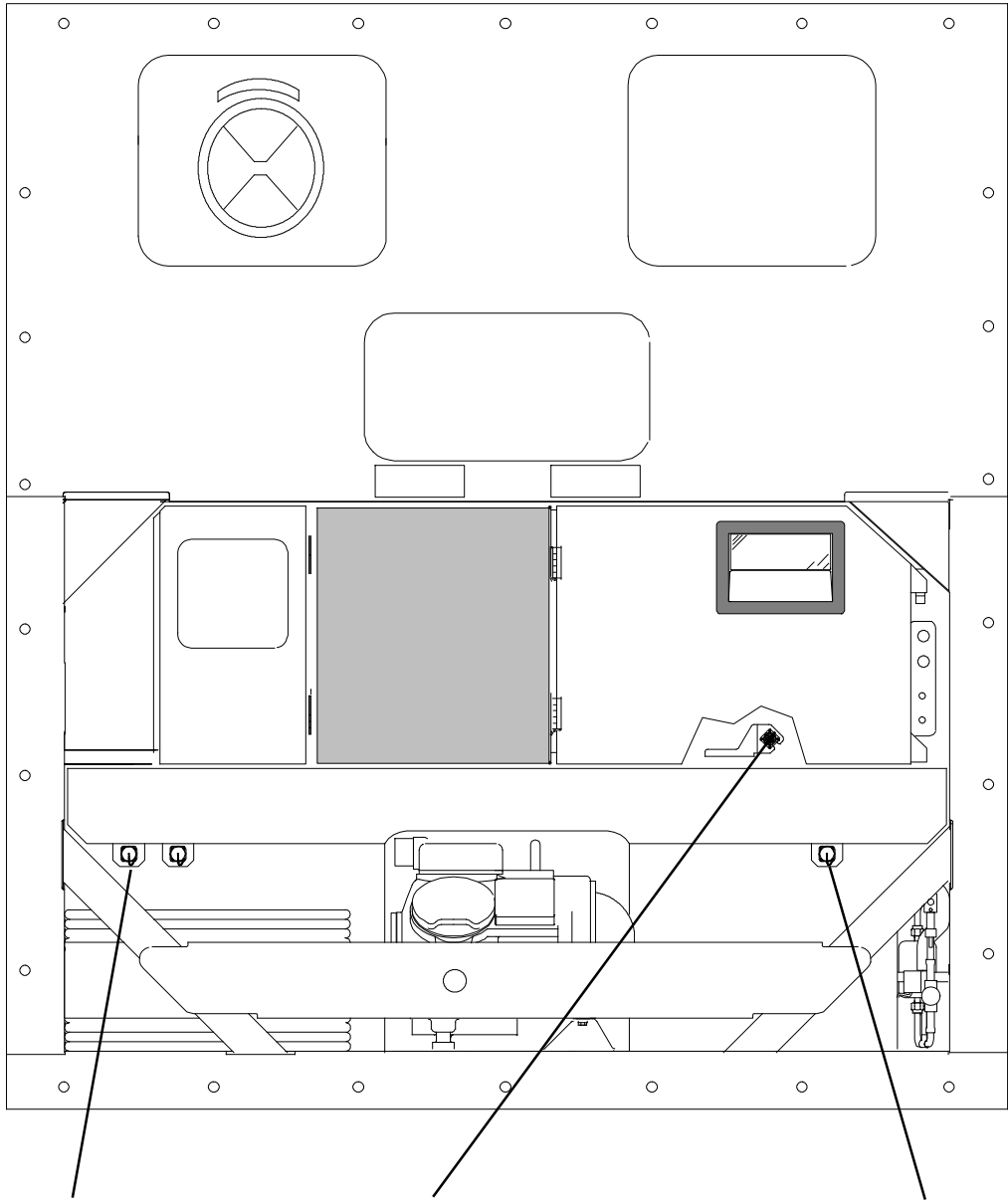
3.1 DATAREADER



3.1 DATAREADER (Continued)

Item	Part Number	Description	Qty
-	07-00421-00	DataLine Software	1
1	22-01737-02	Cable, H.P. Palmtop	1
2	76-50058-00	Kit, Battery, with Cable - Includes:	1
3	NSS	Battery, External, with Battery Charger	1
4	22-02401-00	Cable	1
5	76-50059-00	Kit, Cable, with Adapter - Includes:	1
6	22-02418-02	Cable, Interrogator	1
7	22-02420-00	Adapter	1
8	-	Receptacle - Refer to Section 3.2	-

3.2 INTERROGATOR RECEPTACLE



OPTION 1, OPTION 4 & OPTION 5

- | | | |
|----------|-----------|-----------|
| 1 | 9 | 13 |
| 2 | 10 | 14 |
| 3 | 11 | 15 |
| 4 | 12 | 16 |

OPTION 3

- | |
|----------|
| 5 |
| 6 |
| 7 |
| 8 |

OPTION 2 & OPTION 6

- | | |
|----------|-----------|
| 1 | 9 |
| 2 | 10 |
| 3 | 11 |
| 4 | 12 |

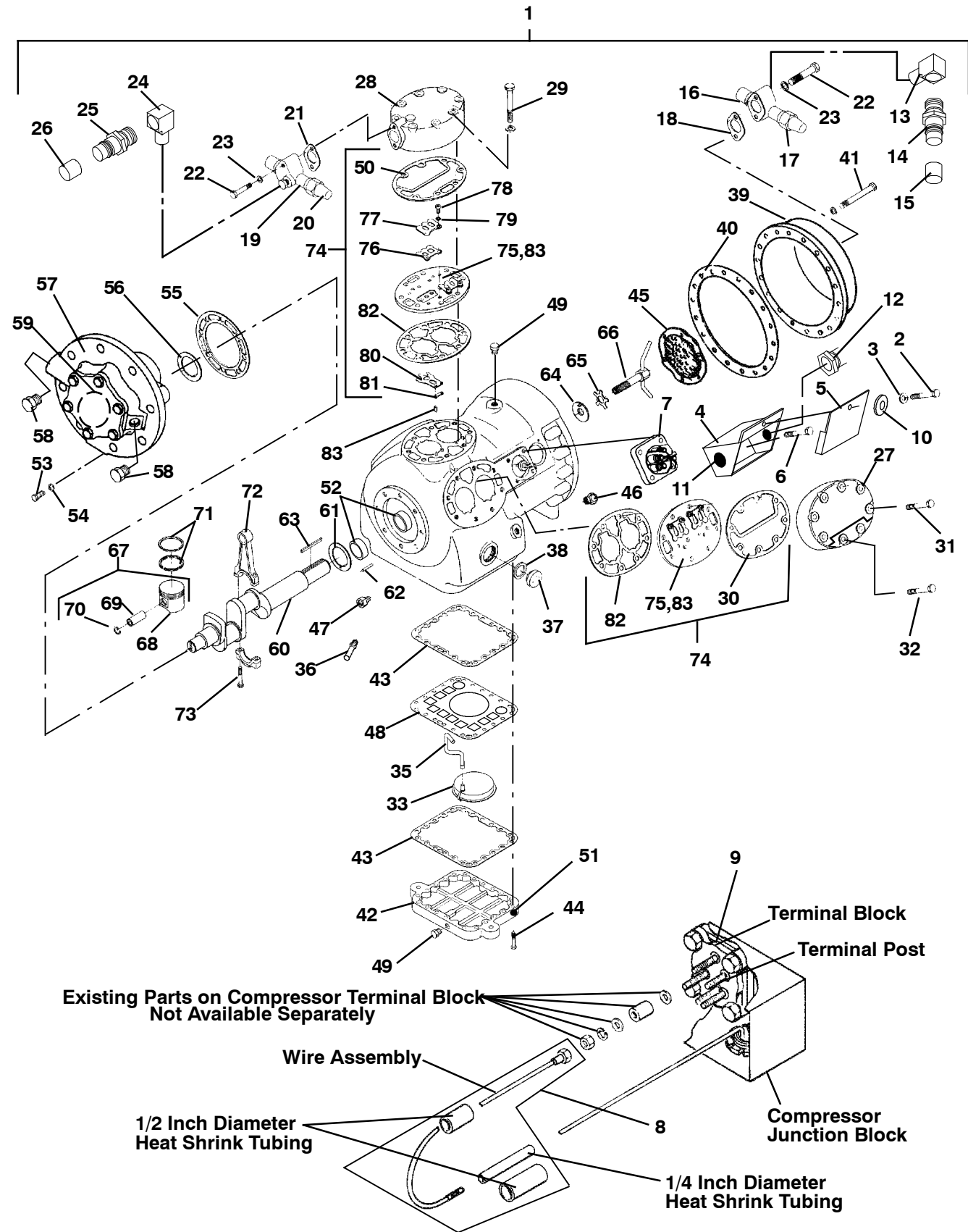
3.2 INTERROGATOR RECEPTACLE (Continued)

Item	Part Number	Description	Qty
OPTION 1 - LEFT STRAIGHT MOUNT & OPTION 2 - RIGHT STRAIGHT MOUNT			
1	22-01660-03	Receptacle, Interrogator (ICR) (5 Pin)	1
2	22-01613-14	Contact, Pin, #16	5
3	69NT43-176	Cap, Dust, with Tether (5 Pin)	1
4	69NT41-192	Bracket, Interrogator Connector	1
OPTION 3 - BOX MOUNT			
5	22-01660-03	Receptacle, Interrogator (ICR) (5 Pin)	1
6	22-01613-14	Contact, Pin, #16	5
7	68-12434-02	Bracket, Interrogator Connector	1
8	42-00174-38	Gasket, Interrogator Connector Bracket	1
OPTION 4 - LEFT STRAIGHT MOUNT AND OPTION 6 - RIGHT STRAIGHT MOUNT			
9	22-02412-00	Receptacle, Interrogator (ICR) (5 Pin)	1
10	22-02412-02	Contact, Pin, #16	5
11	22-02413-00	Cap, Dust, with Tether (5 Pin)	1
12	69NT40-222	Bracket, Interrogator Connector	1
OPTION 5 - LEFT ANGLED MOUNT			
13	22-01660-03	Receptacle, Interrogator (ICR) (5 Pin)	1
14	22-01613-14	Contact, Pin, #16	5
15	69NT43-176	Cap, Dust, with Tether (5 Pin)	1
16	68-12553-00	Bracket, Interrogator Connector	1

NOTE

Do not mix silver and gold pins and sockets.

4 COMPRESSOR ASSEMBLY



4.1 OPTION 1R - SERVICE REPLACEMENT COMPRESSOR			
Item	Part Number	Description	Qty
1	18-10129-20SV	Compressor, 41 CFM, Single Speed , 460 VAC/3 PH/60 hz	1
NS	07-00292-00	SW20 Compressor Oil, Castrol Icematic (Quart)	4
NOTE			
Replacement Compressor is sold without terminal box and cover, and without shut-off valves. Customer should retain the original terminal box and valves for use on replacement compressor.			
4.2 TERMINAL MOUNTING AND JUNCTION BOX GROUP			
2	66U1-5371-7	Screw, Hex Head, #10-24 x 1/2 lg. (cover to box) - SST	2
3	66U1-5321-8	Washer, Flat, #10 (cover to box) - SST	2
4	69NT20-513-1SV	Box, Junction (Located on Front of Compressor) - Includes:	1
4	69NT20-513SV	Box, Junction (Located on Back of 230/460v Compressor) - Includes:	1
5	69NT20-2083	Cover, Junction Box	1
6	AD61JA124	Screw, Pan Head, #10-32 x 3/8 lg. (box to compressor)	4
7	17-40093-06	Terminal, Compressor (5 Terminals)	1
7	17-40093-05	Terminal, Compressor (6 Terminals)	1
8	76-00355-00	Kit, Compressor Terminal Wiring (Single Voltage)	1
NS	76-00384-00	Kit, Compressor Terminal Wiring (Dual Voltage or Single Voltage)	1
9	17-40075-05	Gasket, Terminal Plate - Fiber	1
	17-44128-00	Gasket, Terminal Plate - Coated Steel	1
10	34-06053-05	Washer, Mylar, 0.205 ID x 0.600 OD	2
11	66U1-5562-7	Plug, 1-1/4 Diameter - Plastic	A/R
12	22-02302-03	Connector, 3/4 Conduit	A/R
4.3 SERVICE VALVE GROUP			
13	40-00523-00	Elbow, M13 x M13 - Brass	1
14	40-00520-00	Coupling, M13 - Brass - Includes:	1
15	40-00520-02	Cap, Service Port	1
16	14-00206-00	Valve, Suction Shut-Off, 1-1/8 ODS - Includes:	1
17	17-10812-00	Cap, Seal	1
18	17-10811-05	Gasket, Suction Service Valve	1
19	14-00206-01	Valve, Discharge Shut-Off, 7/8 ODS - Includes:	1
20	17-10812-00	Cap, Seal	1
21	17-10811-05	Gasket, Discharge Service Valve	1
22	66U1-5361-46	Bolt, Hex Head, 5/16-18 x 1-7/8 lg. - SST	2
23	17-40013-00	Gasket, Bolt, 5/16	2
24	40-00523-01	Elbow, M15 x M15 - Brass	1
25	40-00520-01	Coupling, M15 - Brass - Includes:	1
26	40-00520-03	Cap, Service Port	1
4.4 COMPRESSOR - MOTOR BODY GROUP			
NS	-	Gasket Set (Refer to Section 4.8)	
27	17-21040-00	Head, Cylinder - Side Bank (Shaved Head)	2
28	17-40016-01	Head, Cylinder - Center Bank	1
29	17-40018-05	Screw, Hex Head - Center Head, 3/8-16 x 3.00 lg. - SAE Grade 5	8
30	17-44124-00	Gasket, Cylinder Head (Side Bank) - Coated Steel	3
31	17-40034-05	Screw, Hex Head, 3/8-16 x 2.00 lg. - SAE Grade 5	12
32	17-40037-05	Screw, Hex Head, 3/8-16 x 1.00 lg. - SAE Grade 5	4
33	17-40020-00	Screen Assembly, Oil Filter	1

4.4 COMPRESSOR - MOTOR BODY GROUP (Continued)

Item	Part Number	Description	Qty
34	17-40007-00	Gasket, Bolt, 1/2	4
35	17-21062-00	Tube, Oil Suction	1
36	17-44763-00	Orifice, Oil Relief	1
37	17-21201-00SV	Sight Glass Package, Oil Level - Includes:	1
38	17-44021-00	Gasket, Sight Glass - Coated Steel	1
39	17-20004-00	Cover, Motor End	1
40	17-40029-05	Gasket, Motor End Cover - Fiber	1
40	17-44136-00	Gasket, Motor End Cover - Coated Steel	1
41	PL	Screw, Hex Head, 7/16-14 x 1-1/4 lg. - SAE Grade 5	18
42	17-40032-00	Plate, Bottom	1
43	17-40033-05	Gasket, Bottom Plate - Fiber	2
43	17-44129-00	Gasket, Bottom Plate - Coated Steel	2
44	17-40034-05	Screw, Hex Head, 3/8-16 x 2.00 lg. - SAE Grade 5	22
45	17-20005-00	Strainer Assembly, Suction	1
46	PL	Plug, Pipe, Oil Fill, 1/4	1
47	17-40042-00	Check Valve Assembly, Oil Return	1
48	17-21063-00	Plate, Screen Hold Down	1
49	PL	Pipe Plug (High & Low Pressure Connection and Oil Drain), 1/4-18 NPT	3
50	17-44123-00	Gasket, Cylinder Head (Center Bank)	1
51	-	Heater, Crankcase - See section 2.28	1
52	17-40025-00	Bushing, Motor End	2

4.5 PUMP END GROUP

53	17-40037-05	Screw, Hex Head, Bearing Head, 3/8-16 x 1.00 lg. - SAE Grade 5	8
54	17-40019-00	Gasket, Capscrew, 3/8	8
55	17-44022-00	Gasket, Cover Plate - Coated Steel	1
56	17-55009-01	Washer, Thrust	1
57	17-44137-00	Bearing Head & Low Profile Oil Pump Package - Includes:	1
58	17-44037-00	Plug, Oil Pump (Includes O-ring)	2
59	17-44139-00	Seal, O-ring	1

4.6 CRANKSHAFT, ROD AND PISTON GROUP

60	17-40411-00	Crankshaft	1
61	17-40050-00	Washer, Thrust	1
62	17-40048-00	Pin, Spiral, 5/32 Diameter x 5/8 lg.	2
63	34-01110-00	Key, Rotor Drive	1
64	17-21075-00	Washer, Rotor	1
65	17-21076-00	Washer, Star, Rotor, 5/8	1
66	17-21077-00	Tube Assembly, Equalizer	1
67	17-44115-01	Piston & Pin Pkg (Standard) - Includes:	6
67	17-44115-20	Piston & Pin Pkg (+0.020) - Includes:	A/R
68	NSS	Piston	1
69	17-40052-00	Pin, Piston	1
70	17-40053-00	Retainer, Piston Pin	2
71	17-40055-00	Ring, Compression (Standard)	12
71	17-55025-00	Ring, Compression (+0.020)	12
72	17-40056-02	Connecting Rod and Cap Assembly (Standard) - Includes:	6
72	17-55023-00	Connecting Rod and Cap Assembly (+0.010) - Includes:	6

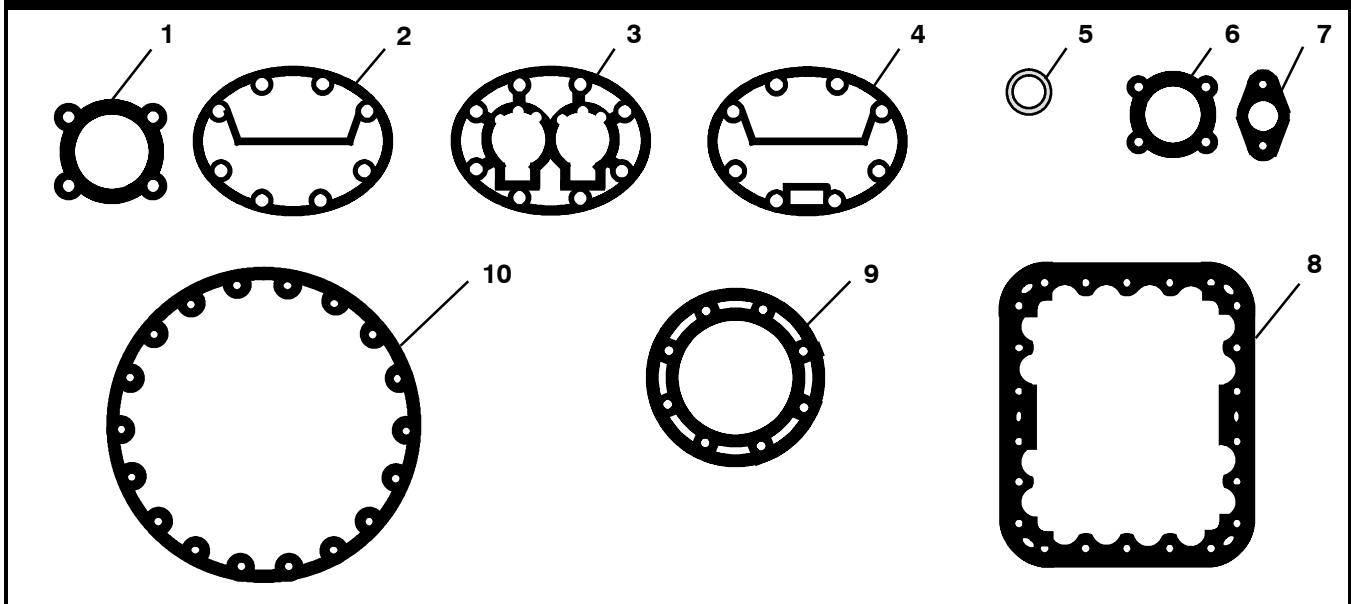
4.6 CRANKSHAFT, ROD AND PISTON GROUP (Continued)

Item	Part Number	Description	Qty
NS	17-40057-00	Pin, Dowel	2
73	17-55008-00	Capscrew - Special (Epoxy Coated)	2

4.7 VALVE PLATE GROUP

74	17-44109-00	Package, Valve Plate Assembly (All Banks - Canted) - Includes:	3
NS	NSS	Plate Assembly, Valve - Includes:	1
75	NSS	Plate, Valve	1
76	17-40086-00	Valve, Discharge	2
77	17-44160-00	Backer, Discharge Valve Stop	2
78	17-44113-00	Screw, Hex Head, 1/4-28 x 3/8 lg.	4
79	17-10715-00	Washer, Lock, 1/4	4
80	17-40082-00	Valve, Suction	2
81	17-40083-00	Spring, Suction Valve Positioning	2
30	17-44124-00	Gasket, Cylinder Head (Side Bank) - Coated Steel	1
50	17-44123-00	Gasket, Cylinder Head (Center Bank) - Coated Steel	1
82	17-55002-00	Gasket, Valve Plate	1
83	17-40057-00	Pin, Dowel (Valve Plate)	12

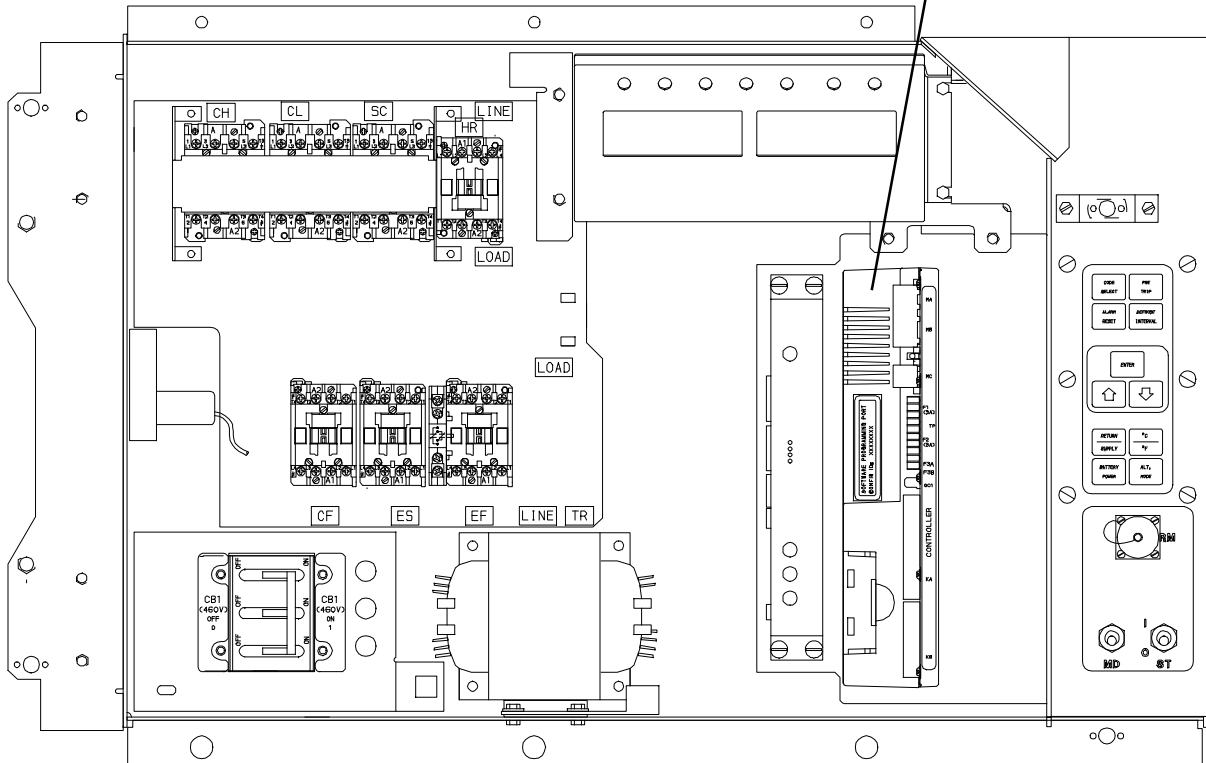
4.8 GASKET SET



Item	Part Number	Description	Qty
-	17-55020-21	Gasket Set - Includes:	1
1	17-40005-05	Gasket, Suction Service Valve (4 Bolt)	1
2	17-44124-00	Gasket, Cylinder Head - Side Bank (Standard)	2
3	17-55002-00	Gasket, Valve Plate	3
4	17-44123-00	Gasket, Cylinder Head - Center Bank	1
5	17-44021-00	Gasket, Sight Glass	2
6	17-40075-05	Gasket, Oil Pump Cover	2
7	17-10811-05	Gasket, Service Valve (2 Bolt)	2
8	17-40033-05	Gasket, Bottom Plate	2
9	17-44022-00	Gasket, Pump End Bearing Head	1
10	17-40029-05	Gasket, Motor End Cover	1

5 CONTROLLER/DATACORDER CONFIGURATION

Controller/DataCORDER Module



Part Number	Description	Qty
12-55006/5127	Controller - Un-Configured (See Note 1)	1
See Note 2	Controller - Configured (Container Unit Matrix)	1

NOTES

1. The last four digits of the Part Number is the operation software revision.
2. The Controller/DataCORDER module is shipped with the operational software already loaded, however when ordering this part number, the end user must load the configuration software at the time of installation.

6 TOOLS	
PART NO.	DESCRIPTION
07-00013-02	Temperature Test Lead (50 Foot)
07-00015-00	Case, Carrying (Used with 07-00013-00)
07-00450-00	Wrench, Compressor Sight Glass
07-00437-00	Inspection Light with Mirror
07-00228-00	Volt-Ohmmeter, Digital
07-00229-00	Amprobe Clamp (Used with 07-00228-00)
07-00238-00	Wrench, Service Valve
07-00243-10	Multimeter, Digital (Fluke)
07-00263-00	Pliers, Crimping (Used for compressor terminal block replacement)
07-00264-00	Grip, Wire Vise (Used for compressor terminal block replacement)
07-00277-00	Kit, Static Dissipative (Used for working on electronic components)
07-00304-00	Ground Strap, Wrist (Used for working on electronic components)
07-00294-00	Gauge Set, Manifold - Fahrenheit/PSI
07-00294-05	Gauge Set, Manifold - Centigrade/KPa
07-00295-00	Detector, Leak
07-00397-03	Extractor, Pin (Used on Fan Motor Plugs and Interrogator Plugs)
07-00397-02	Crimper, Pin (Used on Fan Motor Plugs and Interrogator Plugs)
07-00329-00	Extractor, Pin (Used on Controller module connectors)
07-00330-00	Crimper, Pin (Used on Controller module connectors)
07-00370-00	Crimper, Pin (Used on Stepper Valve, HPS)
07-00387-00	Extractor, Pin (Used on Stepper Valve, HPS)
07-00375-00	Tester, Portable, Stepper Motor Drive
07-00391-00	Application Gun (Used with 07-00390-00)
07-00398-00	Software Card Programmer
07-00408-00	Stepper Jumper Assembly
07-00418-00	Torx Driver Bit
Refer to Manual 62-03213	

PART NUMBER INDEX

PART NO.	PAGE NO.	PART NO.	PAGE NO.	PART NO.	PAGE NO.
02- 00082- 00	9	10- 00318- 00	35	14- 00212- 21	23, 25
02- 00086- 00	49	10- 00332- 21SV	11	14- 00215- 03	24
04- 50027- 00	18, 33	10- 00333- 00	13	14- 00215- 06	23
06DA403- 844	25, 51	10- 00431- 02	11	14- 00220- 00	24
07- 00013- 02	69	10- 00431- 06	10	14- 00220- 01	23
07- 00015- 00	69	10- 00431- 07	10	14- 00221- 01	23
07- 00228- 00	69	10- 00439- 02	11	14- 00222- 01	23
07- 00229- 00	69	10- 00455- 00	31	14- 00263- 00	21
07- 00238- 00	69	10- 01129- 07	13	14- 00263- 20	21
07- 00243- 10	69	10- 01129- 07SV	11	14- 00263- 22	21
07- 00263- 00	69	10- 01129- 10	11	14- 00263- 23	21
07- 00264- 00	69	10- 01129- 20	13	14- 00273- 08	27
07- 00277- 00	69	10- 01139- 04	57	14- 00311- 02SV	1
07- 00292- 00	65	10- 0298- 01	11	14- 00341- 02SV	23, 25
07- 00294- 00	69	12- 00275- 19SV	17	14- 01032- 14	23
07- 00294- 05	69	12- 00309- 06	51	14- 01092- 03	25
07- 00295- 00	69	12- 00342- 02	37	17- 10715- 00	67
07- 00304- 00	69	12- 00342- 03	37	17- 10811- 05	65, 67
07- 00313- 00	1	12- 00342- 04	37	17- 10812- 00	65
07- 00329- 00	69	12- 00352- 00	23, 25, 51	17- 20004- 00	66
07- 00330- 00	69	12- 00395- 01SV	26	17- 20005- 00	66
07- 00345- 00	1	12- 00433- 00RP	17	17- 21002- 01	25
07- 00370- 00	69	12- 00433- 02RP	17	17- 21040- 00	65
07- 00375- 00	69	12- 00464- 05	47	17- 21062- 00	66
07- 00387- 00	69	12- 00464- 08	47	17- 21063- 00	66
07- 00390- 00	9	12- 00474- 00	57	17- 21075- 00	66
07- 00391- 00	9, 69	12- 00495- 02SV	23, 25, 34	17- 21076- 00	66
07- 00397- 02	69	12- 00500- 01SV	34	17- 21077- 00	66
07- 00397- 03	69	12- 00573- 00SV	17	17- 21201- 00SV	66
07- 00397- 12	37	12- 00594- xx/5315	15	17- 40005- 05	67
07- 00398- 00	69	12- 01071- 01SV	24	17- 40007- 00	66
07- 00408- 00	69	12- 01104- 05	21	17- 40013- 00	65
07- 00418- 00	69	12- 01105- 02	21	17- 40016- 01	65
07- 00421- 00	61	12- 01124- 02	51	17- 40018- 05	65
07- 00437- 00	69	12- 01125- 02	51	17- 40019- 00	66
07- 00450- 00	69	12- 55458- 00/5121	68	17- 40020- 00	65
09- 00128- 00	47	14- 00204- 03	21	17- 40029- 05	66, 67
09- 00128- 01	47	14- 00206- 00	65	17- 40032- 00	66
09- 00369- 00SV	15	14- 00206- 01	65	17- 40033- 05	66, 67
10- 00083- 05	57	14- 00212- 03SV	23, 25	17- 40034- 05	65, 66

PART NUMBER INDEX

PART NO.	PAGE NO.	PART NO.	PAGE NO.	PART NO.	PAGE NO.
17-40037-05	65, 66	22-00041-02	1	22-01679-01	57
17-40042-00	66	22-00066-01	1	22-01713-02	17
17-40048-00	66	22-00066-02	1	22-01713-06	15
17-40050-00	66	22-00066-03	1	22-01734-01	57
17-40052-00	66	22-00120-04	1	22-01737-02	61
17-40053-00	66	22-00120-07	1	22-01744-00	55
17-40055-00	66	22-00121-07	1	22-01777-00SV	15
17-40056-02	66	22-00518-01	13	22-01777-01SV	15
17-40057-00	67	22-00595-01	1	22-01777-03	15
17-40075-05	65, 67	22-01106-00	1	22-01777-04	15
17-40082-00	67	22-01107-00	1	22-01778-00	57
17-40083-00	67	22-01139-04	1	22-01835-00	21
17-40086-00	67	22-01140-01	1	22-01884-00	55
17-40093-05	65	22-01140-02	1	22-01889-00	11, 13
17-40093-06	65	22-01140-04	1	22-01891-00	55
17-40411-00	66	22-01141-01	1	22-01892-00	33
17-44021-00	66, 67	22-01292-00	49	22-01892-01	33
17-44022-00	66, 67	22-01455-02	13	22-01906-00	55
17-44037-00	66	22-01551-00	54, 55	22-01931-00	55
17-44109-00	67	22-01556-00	17	22-01932-00	55
17-44113-00	67	22-01556-01	15	22-02188-00	55
17-44115-01	66	22-01556-02	15	22-02232-00	55
17-44115-20	66	22-01566-00	21	22-02302-03	65
17-44123-00	66, 67	22-01566-01	21	22-02322-00	55
17-44124-00	65, 67	22-01613-14	33, 37, 63	22-02324-01	54, 57
17-44128-00	65	22-01613-15	33, 37	22-02324-02	55
17-44129-00	66	22-01613-34	33	22-02324-05	54
17-44136-00	66	22-01614-02	33	22-02336-02	1, 13, 15
17-44137-00	66	22-01614-03	33	22-02336-04	1
17-44139-00	66	22-01614-05	33	22-02336-08	1, 15
17-44160-00	67	22-01621-02	17	22-02341-00	11
17-44763-00	66	22-01621-03	17	22-02341-01	11
17-55002-00	67	22-01621-23	15	22-02368-00	11
17-55008-00	67	22-01622-00	15	22-02375-00	55
17-55009-01	66	22-01622-01	15	22-02378-00Pk10	54
17-55020-21	67	22-01622-02	15	22-02392-00SV	51
17-55023-00	66	22-01660-00	37	22-02392-03	21
17-55025-00	66	22-01660-03	37, 63	22-02393-00	21
18-10129-20SV	65	22-01660-04	37	22-02393-01	21
22-00041-00	1	22-01679-00	57	22-02394-02	21

PART NUMBER INDEX

PART NO.	PAGE NO.	PART NO.	PAGE NO.	PART NO.	PAGE NO.
22-02394-03	21	34-00655-28	33	34-06053-03	18, 19, 23, 25, 47, 53, 54, 56
22-02396-02	17	34-00662-05	53		
22-02396-03	17	34-00662-11	49	34-06053-04	31
22-02398-02	37	34-00663-07	11	34-06053-05	7, 11, 21, 23, 25, 47, 51, 53, 56, 57, 65
22-02398-03	37	34-00663-09	7		
22-02401-00	61	34-00663-11	19, 33		
22-02412-00	37, 63	34-00665-09	7	34-06053-07	49
22-02412-02	63	34-00666-09	31	34-06053-08	53
22-02413-00	37, 63	34-00667-05	11, 53	34-06053-13	28, 29, 47
22-02418-02	61	34-00667-09	53, 57	34-06053-18	30
22-02420-00	61	34-00667-11	49, 54, 56	34-06053-19	29
22-02448-00SV	23	34-00667-12	18	34-06092-00	30, 31
22-04031-00	15	34-00667-14	49	34-06107-00	7
22-04031-01	15	34-00795-09	7, 47	34-06126-08	53
22-04031-02	15	34-00795-17	33	34-06139-03	9
22-50088-00	33	34-00848-10	11	34-06154-00	28, 29
22-50088-02	18	34-00849-22	49	34-06165-09	33
22-50100-00	15	34-00928-01	9, 11	34-06169-00	7, 19, 47
22-50127-00	37	34-00928-02	9, 34, 35, 39, 41, 43, 45	34-06179-00	19, 47
22-50157-00	15			34-06179-04	47
22-66641-10	54, 55	34-00928-03	39, 41, 43, 45	34-06183-00	30, 31
24-00003-00	35			34-06185-01	29
24-00006-02	35	34-00928-04	41	34-06212-12	29
24-02019-00	49	34-00928-09	23, 25, 31, 39, 41, 43, 45	34-06221-00	57
30-00407-02SV	15			34-06223-00	13, 17
34-00373-05	1, 23	34-01110-00	66	34-06227-00	11
34-00373-07	1, 23, 25	34-01142-01	9, 11	34-06231-01	9
34-00373-11	1, 21	34-01150-03	43, 45	34-06231-03	9
34-00373-51	1	34-01150-04	41	34-06231-04	9
34-00373-53	1	34-01150-06	43, 45	34-06231-05	9
34-00373-54	23, 25	34-01150-30	41, 43, 45	34-06231-06	9
34-00373-56	54	34-01150-31	41, 43, 45	34-06231-07	9
34-00373-59	1, 54	34-01167-01	7, 53	34-06243-00	10
34-00373-65	1	34-01178-22	34	34-06262-00	31
34-00373-69	1	34-01181-01	18	34-06286-00	31
34-00373-71	1	34-06053-00	7, 18, 21, 23, 25, 29, 30, 47, 49, 56	34-06287-00	31
34-00373-88	1			34-50015-00	9
34-00616-06	33			38-00557-00	33
34-006212-12	28	34-06053-01	49	38-00585-00	18
34-00655-08	10, 49	34-06053-02	18, 23, 25, 49	40-00060-02	51

PART NUMBER INDEX

40-00086-04	25	54-00586-20	18	62-02530-01	58
40-00123-02	51	56-07323-00	34	62-02719-00	15
40-00501-50	23	56-07905-00	34	62-02720-00	59
40-00520-00	65	58-00065-67	47	62-02721-00	58
40-00520-01	23, 25, 65	58-00065-70	47	62-02721-03	58
40-00520-02	21, 65	58-00616-00	34	62-02723-00	59
40-00520-03	23, 25	58-00956-00	24	62-02723-01	59
40-00523-00	65	58-00957-00	24	62-02723-02	59
40-00523-01	65	58-00967-00	10	62-02723-03	59
40-00542-00	21	58-01184-00	15, 17	62-02723-04	59
40-00555-06	25	58-04001-01	53	62-02723-05	59
40-01129-00	24	58-04001-02	53	62-02723-06	59
42-00174-38	63	58-04026-07	54, 56	62-02723-09	59
42-00233-01	30	58-04026-17	56	62-02723-10	59
42-00270-02	7	58-04026-22	53, 57	62-02723-11	59
42-00295-00	31	58-04026-23	23	62-02735-00	15
42-00295-01	31	58-04026-41	19	62-02738-04	15
42-00296-01	28, 29	58-04066-00	33	62-02738-08	15
42-00327-00	28, 29	58-04101-00	7	62-02743-00	59
42-00334-00	39, 41, 43, 45	58-04101-01	7	62-02743-01	59
42-00407-00	29	58-04101-07	19, 47	62-02743-02	59
42-00465-00	30	58-04145-00	11	62-02743-04	59
42-00470-00	57	58-04145-01	11	62-02743-07	59
42-00611-00	7	58-04145-06	11	62-02743-08	59
42-01052-02	29	58-04246-00	47	62-02743-09	59
42-01098-01	47	58-04251-00	29	62-02743-10	59
42-50000-00	24	58-04263-01	31	62-02743-12	59
44-00300-01	7	58-04276-00	26	62-02743-13	59
44-00300-02	7	58-04277-00SV	26	62-02743-14	59
44-00300-03	7	58-04278-00	26	62-02743-15	59
44-00340-03	53	58-04279-00	26	62-02743-16	59
44-00340-05	53	58-04290-00	33	62-02743-17	59
44-00343-00	9	58-04346-00	7	62-02743-18	59
44-00361-00	35	58-04366-00SV	7	62-02743-19	59
44-00370-03	49	58-04389-00	7	62-02783-00	29
44-00374-00	19, 47	58-04480-00	19	62-02785-00	58
44-01043-05	1	58-04481-00	19	62-02822-01	39
44-01043-07	1	58-04668-00	9	62-02874-01	13
48-00262-00	33	58-50014-00	25	62-03957-02	9
48-00377-00	31	62-02444-01	58	62-10381-00	31
54-00585-20	33	62-02458-00	58	62-10532-00	59

PART NUMBER INDEX

PART NO.	PAGE NO.	PART NO.	PAGE NO.	PART NO.	PAGE NO.
62-10532-01	59	66U1-5321-7	18, 23, 25, 26, 31, 47, 49, 53, 54, 56	66U1-8075	39, 41, 43, 45
62-10532-02	59			66U1-8552-2	25
62-10532-03	59	66U1-5321-8	7, 11, 21, 31, 35, 49, 51, 53, 56, 57, 65	66U1-8662	5
62-10532-04	59			66U1-8912	19
62-10532-06	59			66U1-9212-1	17
62-10537-00	31			66U1-9752	11, 13
62-10540-00	31	66U1-5331-3	7, 53	66U1-9782	54, 55
62-10540-04	31	66U1-5361	18	66U1-9782-1	55
62-10557-00	5	66U1-5361-11	49, 54, 56	66U2-1132-1	23
62-10769-00	58	66U1-5361-25	18, 19, 23, 25, 30, 34, 47, 49, 53, 56	66U2-1142	24
62-10902-02	58			66U2-1152	24
62-10902-03	58			66U2-1531	57
62-10902-04	58	66U1-5361-46	65	68-12368-00	25
62-10984-00	31	66U1-5361-7	23, 25, 49	68-12417-00	4
66CH1-1002-33	31	66U1-5362-2	29	68-12432-00	49
66CH1-1172-16	19	66U1-5371-10	11, 35	68-12432-01	49
66CH1-1172-46	11	66U1-5371-13	34, 35	68-12432-02	49
66U1-2403	9, 11, 39, 41, 53	66U1-5371-6	23, 25, 49, 51	68-12432-03	49
66U1-2403-1	7	66U1-5371-7	7, 11, 15, 17, 26, 31, 56, 65	68-12434-02	63
66U1-2552-185	28, 29			68-12496-00	10
66U1-2583	54	66U1-5381	10	68-12523-00	49
66U1-2583-1	55	66U1-5381-1	21, 54	68-12544-01	13
66U1-2603	53, 56	66U1-5391-3	13	68-12553-00	63
66U1-2763-5	24	66U1-5562-7	65	68-12658-01	47
66U1-2763-6	24	66U1-6651-15	10	68-12993-00	49
66U1-2803-10	41	66U1-6651-19	51	68-13181-00	35
66U1-3442-2	17	66U1-6651-4	11	68-13310-00	53
66U1-3632-24	21	66U1-6782	55	68-13310-01	53
66U1-3803	1, 23, 49	66U1-6782-3	55	68-13427-00SV	10
66U1-3803-1	1, 34	66U1-6811-12	19	68-13454-02SV	19
66U1-3823	10	66U1-6811-15	7	68-13454-03SV	19
66U1-3882	47, 49	66U1-6811-8	7, 19, 47	68-13472-01	51
66U1-5321-13	29	66U1-6835	11	68-13472-03SV	51
66U1-5321-3	30, 33	66U1-6912-16	34	68-13475-00	39, 43
66U1-5321-5	23, 25, 49	66U1-7842-13	11	68-13475-01	39, 41, 43
66U1-5321-6	11	66U1-7982-2	39	68-13475-04	41

PART NUMBER INDEX

PART NO.	PAGE NO.	PART NO.	PAGE NO.	PART NO.	PAGE NO.
68- 13475- 08	39, 43	69NT35- 5352- 1	47	69NT41- 192	63
68- 13475- 09	39, 43	69NT35- 5992	53, 56	69NT41- 477	25
68- 13577- 00	7	69NT35- 6112	18	69NT41- 487	25
68- 13600- 00	35	69NT35- 6118	58	69NT41- 497	25
68- 14329- 00	34, 35	69NT35- 6132	48	69NT41- 543	51
68- 14796- 00	11	69NT35- 6272	9	69NT41- 553	51
68- 14796- 02	11	69NT35- 6278	11	69NT41- 702	21
68- 14796- 03	11	69NT35- 6348	33	69NT41- 724- 4	53
68- 14796- 05	11, 13	69NT35- 6412	54, 56	69NT41- 782	31
68- 14796- 06	11	69NT35- 6412- 1	54, 56	69NT41- 852- 1	30
68- 14955- 00	31	69NT35- 6412- 2	54, 56	69NT41- 942- 3	39, 41
69NP20- 1031	25	69NT35- 6522	34	69NT41- 942- 4	43
69NT- 35- 6532	35	69NT35- 6532	34	69NT41- 942- 5	45
69NT- 35- 8284	49	69NT35- 6598	45	69NT41- 982- 3	11
69NT- 43- 468	1	69NT35- 6598- 1	45	69NT41- 992	37
69NT- 46- 468- 1	1	69NT35- 7012	31	69NT42- 688- 7	7
69NT20- 2083	65	69NT35- 7662- 3	41	69NT42- 914	24
69NT20- 513- 1SV	65	69NT35- 8032	53	69NT42- 914- 1	24
69NT20- 513SV	65	69NT35- 8113	4	69NT43- 124- 4SV	9
69NT35- 1287- 1	31	69NT35- 8218	58	69NT43- 125- 1	9
69NT35- 1417	31	69NT35- 8348	31	69NT43- 175	37
69NT35- 2257	39	69NT35- 8382	53, 57	69NT43- 176	37, 63
69NT35- 2287	9	69NT35- 8548	4	69NT43- 277	23
69NT35- 2692	15, 39, 41	69NT35- 8693- 10	19	69NT43- 283	33
69NT35- 2692- 1	19, 30, 33, 34, 47	69NT35- 8693- 7	19	69NT43- 284	33
69NT35- 2692- 4	17	69NT35- 8734- 12	33	69NT43- 285	33
69NT35- 3282	43, 45	69NT35- 8734- 14	33	69NT43- 295	33
69NT35- 3286	41	69NT35- 8734- 16	33	69NT43- 307	30
69NT35- 3296	41	69NT35- 8734- 4	33	69NT43- 374	56
69NT35- 3547	18	69NT35- 8734- 5	33	69NT43- 403- 2	23
69NT35- 3867	58	69NT35- 8734- 6	33	69NT43- 420	23, 25
69NT35- 3907	58	69NT35- 9228	31	69NT43- 464	39, 41, 43, 45
69NT35- 3987	4	69NT35- 9238	31	69NT43- 469	49
69NT35- 3997- 1	4	69NT35- 9674- 1	34	69NT43- 470	57
69NT35- 4027- 1	34	69NT40- 222	11, 13, 63	69NT43- 470- 1	57
69NT35- 4047	30	69NT40- 507- 1	37	69NT43- 470- 2	57
69NT35- 5022- 5	47	69NT40- 657- 2	4	69NT43- 471	41
69NT35- 5022- 6	7	69NT40- 976- 3	30	74- 00201- 01	29
		69NT41- 106- 2	51		

PART NUMBER INDEX

PART NO.	PAGE NO.	PART NO.	PAGE NO.	PART NO.	PAGE NO.
74-00201-02	29	76-50059-00	61	A	
76-00355-00	65	76-50075-00	19	AA06JA166	34
76-00384-00	65	76-50084-00SV	9	AA06JA170	56
76-00397-00	1	76-50116-00	31	AD61JA124	65
76-00667-05	57	76-50116-01	31	AU11JR171	34, 56
76-00670-01	57	76-50116-02	31	AU11JR241	23, 25, 49
76-00670-02	57	76-50116-03	31		
76-00670-03	57	76-50116-04	31	C	
76-00670-04	57	76-50136-00	31	CA21JA051	51
76-00675-01	35	77-01018-05	49		
76-00677-00	25	79-01694-00	29	D	
76-00681-01	33	79-01697-06SV	28	DE40BA203	23, 25
76-00684-00	37	79-01697-14	29		
76-00701-05	47	79-01706-05SV	11	E	
76-00701-06SV	47	79-01757-00	24	EC39DM062	23
76-00701-10	47	79-01902-00	29		
76-00701-11	47	79-01902-01	29		
76-00704-01	19	79-01925-00	31		
76-00724-00SV	9	81-01472-00	21		
76-00748-00	35	81-01575-00SV	19		
76-00748-02	35	81-01635-20	35		
76-00760-00	37	81-01635-22	35		
76-50058-00	61				



A member of the United Technologies Corporation family.
Stock symbol UTX

©2014 Carrier Corporation • Printed in U. S. A. 10/14



**United
Technologies**

Climate | Controls | Security

Carrier Transicold Division, Carrier Corporation
P.O. Box 4805
Syracuse, N.Y. 13221 U.S.A

www.carrier.transicold.com