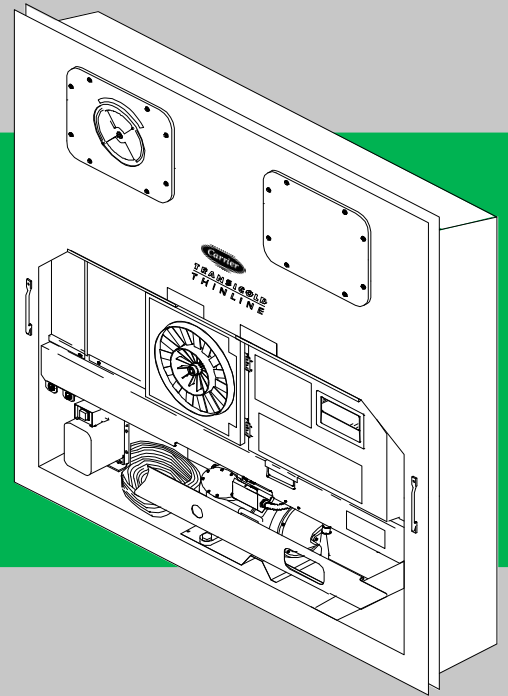
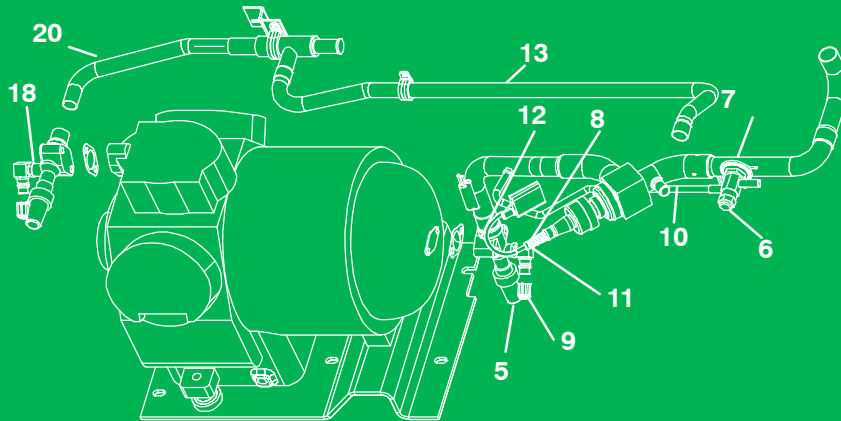




Container Refrigeration

TRANSICOLD
United Technologies



SERVICE PARTS LIST for 69NT40-541-300 to 499 Container Refrigeration Units



SERVICE PARTS LIST CONTAINER REFRIGERATION UNIT

**Models
69NT40-541-300 to 499**

TABLE OF CONTENTS

PARAGRAPH NUMBER	Page
INTRODUCTION	iii
CONFIGURATION IDENTIFICATION	iii
FEATURE DESCRIPTIONS	iii
OPTION DESCRIPTIONS	iii
1 QUICK LIST – CLAMPS, FILTER–DRIER, FUSE, TY–RAPS, WIRE TERMINALS AND REPLACEMENT UNIT FRAMES	1
2 REFRIGERATION UNIT ASSEMBLY	2
2.1 REFRIGERATION UNIT – AREA LOCATOR	2
2.2 UPPER FRESH AIR	4
2.3 UPPER FRESH AIR – eAutoFresh	8
2.4 UPPER FRESH AIR – eAutoFresh PANEL ASSEMBLY	12
2.5 CONTROLLED ATMOSPHERE – TRANSFRESH SECTION	14
2.6 BULKHEAD PENETRATION – UPPER AIR EXCHANGE	15
2.7 THERMOMETER PORT	16
2.8 RAIN GUTTERS	17
2.9 USDA SECTION	18
2.10 CONTROL BOX PREPARATION	20
2.11 CONTROL BOX DOOR – LCD AND LED DISPLAYS	22
2.12 CONTROL BOX – RMU RECEPTACLE, SWITCH PANEL, NO RMU, INTERNAL VIEWS ...	24
2.13 CONTROL BOX – RMU RECEPTACLE AND SWITCH PANEL, EXTERNAL VIEW	27
2.14 CONTROL BOX – SHIELDS REMOVED, STD ELECTRICAL COMPONENTS, RM, HOURMETER & CFS	28
2.15 CONTROL BOX – SINGLE EVAPORATOR FAN CAPABILITY, EBS, ED	30
2.16 CONTROL BOX – CONTROLLER MODULE SECTION AND SOFTWARE CARDS	32
2.17 CONTROL BOX – DISPLAY MODULE AND COMMUNICATIONS INTERFACE MODULE ..	34
2.18 INTERROGATOR RECEPTACLE	36
2.19 HANDLES	39
2.20 COMPRESSOR MOUNTING, GUARD, CRANKCASE HEATER COMPONENTS	40
2.21 COMPRESSOR GAUGES AND TRANSDUCERS	42
2.22 COMPRESSOR TUBING SECTION Without DPRV	44
2.23 COMPRESSOR TUBING SECTION With DPRV	46
2.24 RECEIVER SECTION	48
2.25 WATER–COOLED CONDENSER SECTION	50
2.26 SRS AND STS SECTION	52
2.27 CONDENSER FAN MOTOR AND COIL SECTION	54
2.28 CONDENSER FAN GRILLE ASSEMBLY	56
2.29 VOLTAGE CABLES	58
2.30 AUTOTRANSFORMER KIT	60
2.31 CABLE RESTRAINT COMPONENTS	62
2.32 VACUUM RELIEF VALVE	64

TABLE OF CONTENTS (Continued)

PARAGRAPH NUMBER	Page
2.33	OPTION 9 AND OPTION P – ELECTRONIC PARTLOW TEMPERATURE RECORDER 66
2.34	OPTION PS, OPTION 12 AND OPTION 13 – ELECTRONIC PARTLOW TEMPERATURE RECORDER 67
2.35	LOWER FRESH AIR MAKE-UP VENT 70
2.36	LABELS AND DECALS 74
2.37	DRAIN 76
2.38	EVAPORATOR FAN ASSEMBLY, THREE-PHASE FAN MOTOR 77
2.39	EVAPORATOR FAN ASSEMBLY, SINGLE-PHASE FAN MOTOR 78
2.40	EVAPORATOR TUBING 80
2.41	EVAPORATOR COIL SECTION – REAR PANELS REMOVED 82
2.42	BACK PANEL ASSEMBLY 84
2.43	WIRING ASSEMBLY 90
3	INTERROGATOR AND ACCESSORIES 92
3.1	DATAVIEW/DATAREADER 92
4	COMPRESSOR ASSEMBLY 94
4.1	OPTION 1R – SERVICE REPLACEMENT COMPRESSOR 95
4.2	TERMINAL MOUNTING AND JUNCTION BOX GROUP 95
4.3	SERVICE VALVE GROUP 95
4.4	COMPRESSOR – MOTOR BODY GROUP 95
4.5	PUMP END GROUP 96
4.6	CRANKSHAFT, ROD AND PISTON GROUP 96
4.7	VALVE PLATE GROUP 97
4.8	GASKET SET 97
5	CONTROLLER/DATACORDER CONFIGURATION 98
6	TOOLS 99

INTRODUCTION

1 INTRODUCTION

The Carrier Transicold model 69NT40–541–300 to 499 series units are of lightweight aluminum frame construction, designed to fit in the front of a container and serve as the container's front wall.

They are one piece, self-contained, all electric units, which include cooling and heating systems to provide precise temperature control.

The units are supplied with a complete charge of refrigerant R-134a and compressor lubricating oil, and are ready for operation upon installation. Forklift pockets are provided for unit installation and removal.

The base unit operates on nominal 380/460 volt, 3-phase, 50/60 hertz (Hz) power. An optional autotransformer may be fitted to allow operation on nominal 190/230, 3-phase, 50/60 Hz power. Power for the control system is provided by a transformer which steps the supply power down to 18 and 24 volts, single phase.

The controller is a Carrier Transicold Micro-Link 3 microprocessor. The controller will operate automatically to select cooling, holding or heating as required to maintain the desired set point temperature within very close limits. The unit may also be equipped with an electronic temperature recorder.

The controller has a keypad and display for viewing or changing operating parameters. The display is also equipped with lights to indicate various modes of operation.

2 CONFIGURATION IDENTIFICATION

Unit identification information is provided on a plate located near the compressor. The plate provides the unit model number, the unit serial number and the unit parts identification number (PID). The model number identifies the overall unit configuration while the PID provides information on specific optional equipment, factory provision to allow for field installation of optional equipment and differences in detailed parts.

3 FEATURE DESCRIPTIONS

3.1 Control Box

Units are equipped with either an aluminum or composite material box, and may be fitted with a lockable door.

3.2 Temperature Readout

The unit may be fitted with suction and discharge temperature sensors. The sensor readings may be viewed on the controller display.

3.3 Pressure Readout

The unit may be fitted with suction and discharge pressure gauges or suction and discharge transducers or no pressure readout. The transducer readings may be viewed on the controller display.

3.4 Compressor

The unit is fitted with a single speed reciprocating compressor.

3.5 Condenser Coil

The unit is fitted with a 3 row coil using 7mm tubing.

3.6 Evaporator

Evaporator section options include a hermetic thermal expansion valve and two sizes of heat exchangers.

3.7 Evaporator Fan Operation

Units are equipped with single-phase or three-phase evaporator fan motors.

Two evaporator fan motor operation systems are available. On units with Normal Evaporator Fan Operation, opening of an evaporator fan internal protector will shut down the unit. On units equipped with Single Evaporator Fan Capability, additional contactors are installed to allow the unit to continue to operate on a single fan.

3.8 Plate Set

Each unit is equipped with a tethered set of wiring schematic and wiring diagram plates. The plate sets are ordered using a seven digit base part number and a two digit dash number.

4 OPTION DESCRIPTIONS

Various options may be factory or field equipped to the base unit. These options are listed in the tables and described in the following subparagraphs.

4.1 Battery

The refrigeration controller may be fitted with a rechargeable battery pack and/or a secure battery pack.

4.2 Dehumidification

The unit may be fitted with a humidity sensor. This sensor allows setting of a humidity set point in the controller. In dehumidification mode the controller will operate to reduce the internal container moisture level.

4.3 Display Module

The unit may be fitted with a backlit Liquid Crystal Display (LCD) or a Light Emitting Diode (LED) Display.

4.4 USDA

The unit may be supplied with fittings for additional temperature probes which allow recording of USDA Cold Treatment data by the integral DataCORDER function of the Micro-Link refrigeration controller.

4.5 Interrogator

Units that use the DataCORDER function are fitted with interrogator receptacles for connection of equipment to download the recorded data. Two receptacles may be fitted, one accessible from the front of the container and the other mounted inside the container (with the USDA receptacles).

INTRODUCTION – Continued

4.6 Remote Monitoring

The unit may be fitted with a remote monitoring receptacle. This item allows connection of remote indicators for COOL, DEFROST and IN RANGE. Unless otherwise indicated, the receptacle is mounted at the control box location

4.7 Communications

The unit may be fitted with a communications interface module. The communications interface module is a slave module which allows communication with a master central monitoring station. The module will respond to communication and return information over the main power line. Refer to the ship master system technical manual for further information.

4.8 Autotransformer

An autotransformer may be provided to allow operation on 190/230, 3phase, 50/60 hertz power. The autotransformer raises the supply voltage to the nominal 380/460 volt power required by the base unit. The autotransformer may also be fitted with an individual circuit breaker for the 230 volt power.

If the unit is fitted with an autotransformer and communications module, the autotransformer will be fitted with a transformer bridge unit (TBU) to assist in communications.

4.9 Temperature Recorder

Units may be fitted with an electronic recorder.

4.10 Gutters

Rain gutters may be fitted over the control box and recorder section to divert rain away from the controls. The different gutters include standard length bolted gutters, extended length gutters and riveted gutters.

4.11 Handles

The unit may be fitted with handles to facilitate access to stacked containers. These handles may include fixed handles (located at the sides of the unit) and/or a hinged handle at the center (attached to the condenser coil cover).

4.12 Thermometer Port

The unit may be fitted with ports in the front of the frame for insertion of a thermometer to measure supply and/or return air temperature. If fitted, the port(s) will require a cap and chain.

4.13 Water Cooling

The refrigeration system may be fitted with a water cooled condenser. The condenser is constructed using copper-nickel tube for sea water applications. The water cooled condenser is in series with the air cooled condenser unit receiver. When operating on the water cooled condenser, the condenser fan is deactivated by either a water pressure switch or condenser fan switch. Depending on the unit's configuration and the compressor discharge temperature the condenser fan may also be activated during water cooled condenser operation.

4.14 Back Panels

Back panel designs that may be fitted include panels of aluminum and stainless steel. Panels may be fitted with access doors and/or hinge mounting.

4.15 460 Volt Cable

Various power cable and plug designs are available for the main 460 volt supply. The plug options tailor the cables to each customer's requirements.

4.16 230 Volt Cable

Units equipped with an autotransformer require an additional power cable for connection to the 230 volt source. Various power cable and plug designs are available. The plug options tailor the cables to each customer's requirements.

4.17 Cable Restraint

Various designs are available for storage of the power cables. These options are variations of the compressor section front cover.

4.18 Upper Air (Fresh Air Make Up)

The unit may be fitted with an upper fresh air makeup assembly. The fresh air makeup assembly is available with a Vent Positioning Sensor (VPS) and may also be fitted with USDA screens.

4.19 Lower Air (Fresh Air Make Up)

The unit may be fitted with a lower fresh air makeup assembly. These assemblies are available with a Vent Positioning Sensor (VPS) and may also be fitted with USDA screens.

4.20 Controlled Atmosphere

Controlled atmosphere units may be fitted with the TransFresh or the complete Carrier Transicold EverFresh option.

For information on the TransFresh system, contact TransFresh Corporation, P.O. Box 1788, Salinas CA 93902

The EverFresh option is the addition of the Carrier Transicold EverFresh controlled atmosphere system. This system continuously monitors and controls oxygen and carbon dioxide levels in the container.

4.21 Arctic Mode

To improve operation in cold ambients, the unit may be fitted with a crankcase heater. The crankcase heater is operated any time the unit is under power and the compressor is not running. The purpose of the heater is to warm the compressor oil and boil off any liquid refrigerant that may be present in the crankcase.

INTRODUCTION – Continued

4.22 Power Correction

The unit may be fitted with a set of power factor correction capacitors to assist in correction of imbalance in current draw by the compressor.

4.23 Labels

Operating Instruction and Function Code listing labels will differ depending on the options installed. For example, additional operating instructions are required to describe start-up of a unit equipped with an autotransformer. Where the labels are available with additional languages, they are listed in the parts list.

4.24 Controller

Two different controllers are available:

1. Remanufactured - Controller is the equivalent of a new OEM controller and is supplied with a 12 month warranty.
2. Repaired - Controller has had previous faults repaired and upgraded with the latest software.

NOTE: Repaired controllers are NOT to be used for warranty repairs only full OEM Remanufactured controllers are to be used.

Controllers will be factory equipped with the latest version of operational software, but will NOT be configured for a specific model number and will need to be configured, at the time of installation or sale.

4.25 Condenser Grille

Two styles of condenser grilles are available, direct bolted grilles and hinged grilles.

4.26 Emergency Bypass

The unit may be equipped with switches to allow emergency bypass of the controller. The EMERGENCY BYPASS switch functions to bypass the controller in the event of controller failure. The EMERGENCY DEFROST switch functions to bypass the all controls and place the unit in the defrost mode.

OPTION LEGEND

General	
-	Feature Not Applicable
X	Features that apply to model
P	Factory Installation of Equipment to Allow Field Installation
AutoTransformer Codes – Section 2.30	
1	Transformer Fitted
2	Transformer With CB2 Fitted
3	Transformer With CB2 and Receptacle
4	Transformer With CB2 and Transformer Bridging Unit
Back Panel Codes – Section 2.42	
1	Bolted, No TIR Rivets
2	Bolted, TIR Rivets
3	Bolted, Special
4	Bolted, Special
5	Hinged, Painted Aluminum
6	Hinged, Painted Aluminum
7	Hinged, Special
Battery Codes – Section 2.16	
R	Rechargeable Cells
S	Secure Location (Rechargeable Cells)
Bulkhead Penetration Codes – Section 2.6	
1	Not Installed
2	Installed
Cable Restraint Codes – Section 2.31	
1	Cable Door
2	Left Bungy Cord Only
3	J-Hook
4	Left and Right Bungy Cord
5	Left Bungy Cord With Left Extended Guard
6	Left & Right Bungy Cords With Extended Guards
Condenser Grille Codes – Section 2.28	
B	Bolted Grille
H	Hinged Grille
Control Box Prep. Codes – Section 2.10	
1	Screw Fastener Non-locking Door
2	Screw Fastener Locking Door
3	Latch Fastener Non-locking Door

Communications Codes – Section 2.17	
2	High Data Rate
4	Low Data Rate
Display Module Codes – Section 2.11	
1	LCD Display
2	LED Display
Handle Codes – Section 2.19	
1	Two Side and One Center
2	Two Side
3	One Center
4	One Right Side and Two Center
Interrogator Codes – Section 2.18	
1	Left Straight Mount (Option V)
3	Control Box Mount
4	Left Straight Mount (Option D)
Label Codes – Section 2.36	
1	English
2	English / Spanish
3	English / French
4	English / Korean
5	English / Traditional Chinese
6	English / Simplified Chinese
7	English / Japanese / Chinese
8	English/German
Lower Air Codes – Section 2.35	
1	No Lower Fresh Air
2	Lower Fresh Air Installed
3	Lower Fresh Air With USDA Screen Installed
4	Lower Fresh Air Installed with Vent Position Sensor (VPS)
Pressure Readout Codes – Section 2.21	
G	Factory Installed Pressure Gauges
T	Factory Installed Pressure Transducers
SG	Factory Installed Suction Pressure Gauge
Rain Gutter Codes – Section 2.8	
1	Standard Length Bolted Gutters
3	Extended Length Gutters
4	Riveted Gutters

OPTION LEGEND (Continued)

Remote Monitoring (RM) Receptacle and Switch Panel – Section 2.12	
1	No RM, Start Switch Plate
2	No RM, Start Switch Plate with Boot
3	No RM, Compressor Fan Switch Plate
4	No RM, Manual Defrost (MD) Switch Plate
5	No RM, MD Switch Plate with Boot
6	No RM, Amber Defrost Light Switch Plate
7	No RM, Red Defrost Light Switch Plate
8	With Internal RM Switch Plate
9	With Internal RM, MD Switch Plate
10	With Internal RM, Amber Defrost Light Switch Plate
11	With External RM Switch Plate
Temperature Recorder Codes – Sections 2.33, 2.34	
9	No Temperature Recorder
PS	Temperature Recorder Provision – Recorder Box Cover Only, Customer Specific
12	Special Electronic Partlow
13	Standard Electronic Partlow
Thermometer Port Codes – Section 2.7	
1	Supply Air Port
2	Return Air Port
B	Both Ports
Upper Air Codes – Section 2.2	
1	No Upper Fresh Air
2	Upper Fresh Air Installed
3	Upper Fresh Air Installed With USDA Screen
4	Upper Fresh Air Installed with Vent Position Sensor (VPS)
Upper Air eAutoFresh Codes – Section 2.3	
P	Units Provisioned for eAutoFresh
1	eAutoFresh Installed

USDA/Cable Codes – Section 2.9	
D/-	Option D Only
V/-	Option V Only
D/1	Option V/Option 1
V/1	Option V/Option 1
D/2	Option V/Option 2
V/2	Option V/Option 2
Vacuum Relief Valve Codes – Section 2.32	
1	Vacuum Relief Valve
2	Valve with Nitrogen-Fed Atmosphere
3	Valve, Customer Specific
460 Volt Cable Codes – Section 2.29	
1	Option 1
2	Option 2
3	Option 3
4	Option 4
5	Option 5
6	Option 6
7	Option 7
8	Option 8
9	Option 9
230 Volt Cable Codes – Section 2.29	
1	Option 1
2	Option 2
3	Option 3
4	Option 4
5	Option 5
6	Option 6
7	Option 7
8	Option 8
9	Option 9

Ordering Instructions

All orders and inquiries for parts must include: Parts Identification Number (**PID**), Model Number, Unit Serial Number, Part Number, Description of part as shown on list and Quantity required. Address all correspondence for parts to the following address:

CARRIER TRANSICOLD DIVISION
Replacement Components Group, TR-20
P.O. Box 4805, Syracuse, New York 13221
or FAX to: (315) 432-3778

Letter Designations

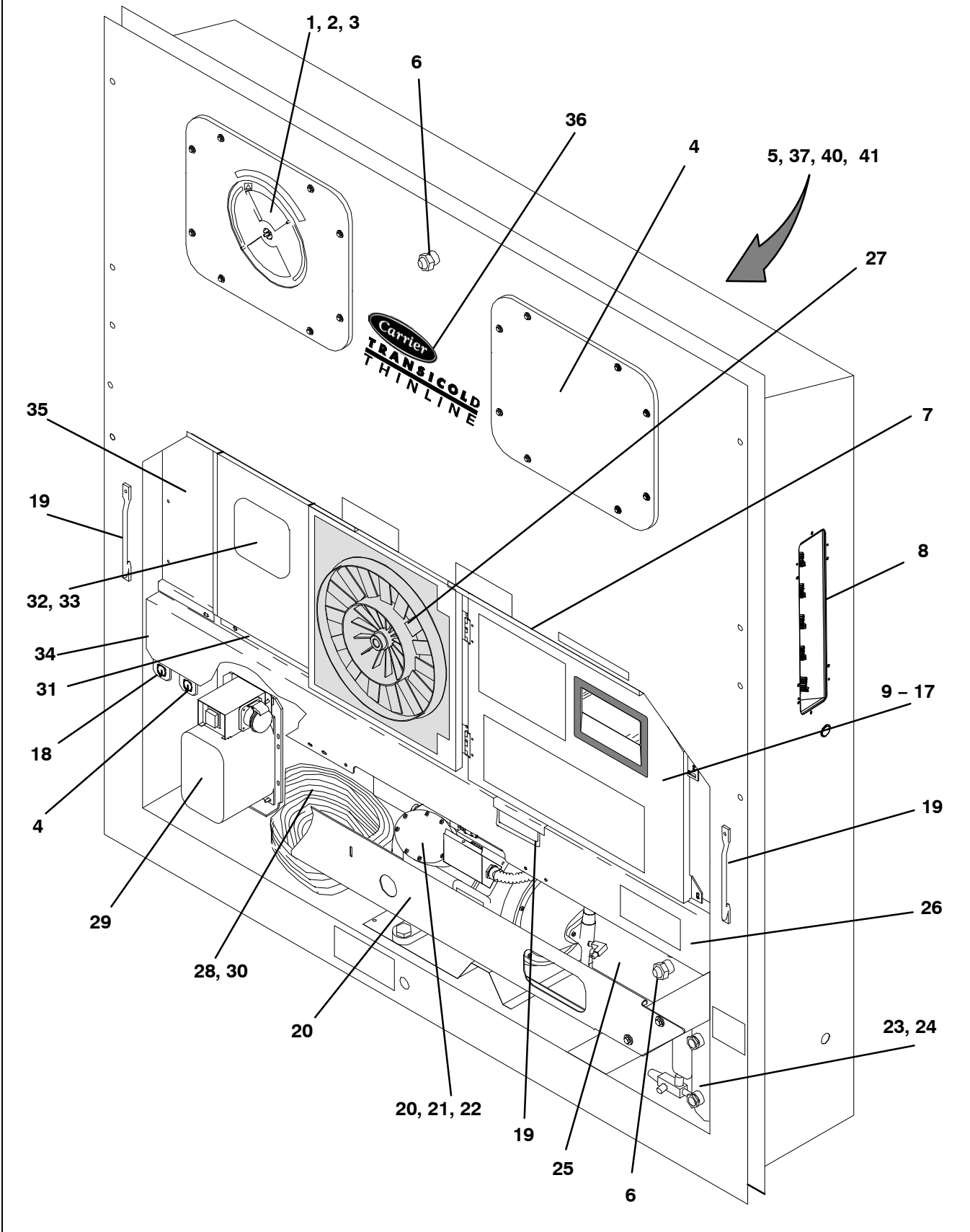
The following letter designations are used to classify parts throughout this list:

- A/R = *As Required*
- N/A = *Not Available*
- NS = *Not shown in illustration*
- NSS = *Not sold separately* - Order next higher assembly or kit
- PID = *Parts Identification Number* - essential to identify unit configuration.
- PL = *Purchase Locally*
- SST = *Stainless Steel* - 300 Series unless otherwise specified.
- SV = *Suffix SV* - added to part number designates service replacement part.

1 QUICK LIST – CLAMPS, FILTER-DRIER, FUSE, TY-RAPS, WIRE TERMINALS AND REPLACEMENT UNIT FRAMES	
PART NO.	DESCRIPTION
34-00373-51	Clamp, Tube, 1/4 – SST
34-00373-53	Clamp, Tube, 3/8 – SST
34-00373-05	Clamp, Tube, 1/2 – SST
34-00373-07	Clamp, Tube, 5/8 – SST
34-00373-59	Clamp, Tube, 3/4 – SST
34-00373-11	Clamp, Tube, 7/8 – SST
34-00373-65	Clamp, Tube, 1-1/8 – SST
34-00373-88	Clamp, Tube, 1-1/4 – SST
34-00373-69	Clamp, Tube, 1-3/8 – SST
34-00373-71	Clamp, Tube, 1-1/2 – SST
22-00066-01	Connector, Butt End, Wire Range – 22 to 16 AWG
22-00066-02	Connector, Butt End, Wire Range – 16 to 14 AWG
22-00066-03	Connector, Butt End, Wire Range – 12 to 10 AWG
22-00041-00	Connector, Closed End, Wire Range – 22 to 14 AWG
22-00041-02	Connector, Closed End, Wire Range – 18 to 10 AWG
14-00341-02SV	Filter-Drier
22-02336-02	Fuse, 5 Amp (F1, F2, & FED)
22-02336-04	Fuse, 10 Amp (FEB)
22-02336-08	Fuse, 7.5 Amp (F3A & F3B)
22-01140-01	Ring Terminal, #6, Wire Range – 12 to 10 AWG
22-01140-02	Ring Terminal, #10, Wire Range – 12 to 10 AWG
22-01140-04	Ring Terminal, 3/8, Wire Range – 12 to 10 AWG
22-00119-04	Ring Terminal, 1/4, Wire Range – 12 to 10 AWG
22-00120-04	Ring Terminal, #10, Wire Range – 16 to 14 AWG
22-00120-07	Ring Terminal, 5/16, Wire Range – 16 to 14 AWG
22-00121-07	Ring Terminal, #10, Wire Range – 22 to 16 AWG
22-01139-04	Ring Terminal, 3/8, Wire Range – 16 to 14 AWG
22-01141-01	Spade Terminal, 1/4 x 5/16, Wire Range – 16 to 14 AWG
22-00595-01	Spade Terminal, 3/8, Wire Range – 12 to 10 AWG
22-01106-00	Spiral Wrap, 1/4 Diameter x 25 ft. lg.
22-01107-00	Spiral Wrap, 1/2 Diameter x 25 ft. lg.
66U1-3803	Tube, Heat Shrink, 1/4 ID x 2-1/8 lg.
66U1-3803-1	Tube, Heat Shrink, 1/2 ID x 2-3/4 lg.
44-01043-05	Ty-Raps, 5-1/2 inches lg.
44-01043-07	Ty-Raps, 11.00 inches lg.
22-50007 Series	Wire Markers
07-00345-00	Sealant, Pipe (Used to seal fittings on unit with R-134a)
07-00313-00	Cleaner, Coil
76-00397-00	Paint, Compressor Touch-Up, Blue
69NT-43-468	Unit Frame, Service Replacement
69NT-43-468-1	Contact Carrier Replacement Components Group for application

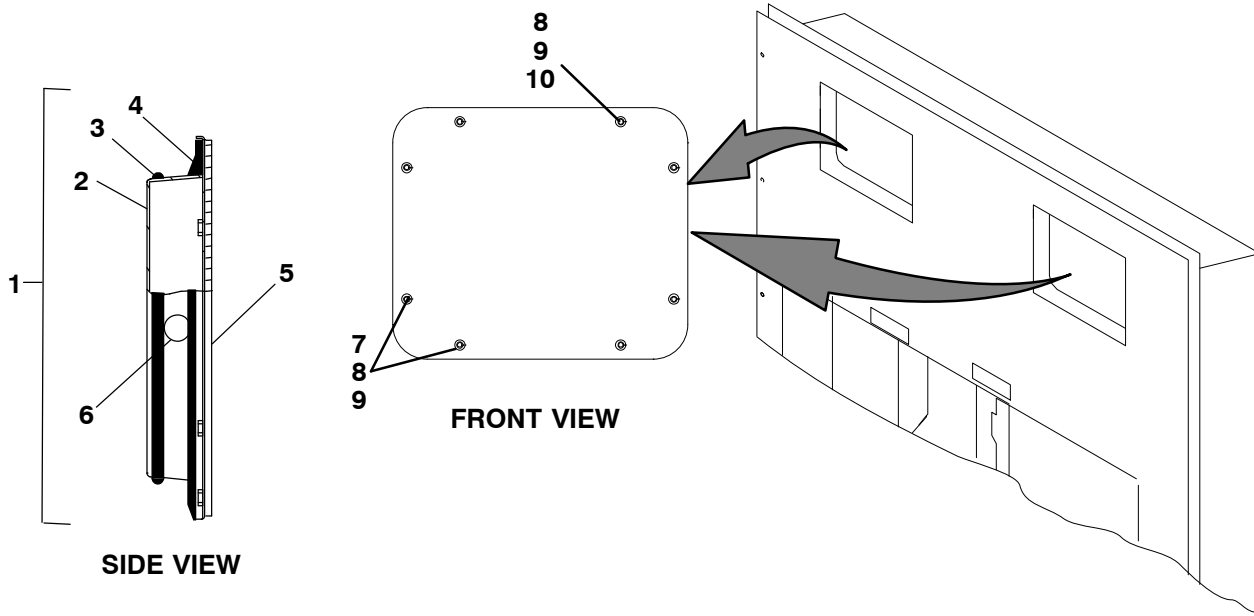
2 REFRIGERATION UNIT ASSEMBLY

2.1 REFRIGERATION UNIT - AREA LOCATOR



2.1 REFRIGERATION UNIT – AREA LOCATOR		
Item	Section Number	Area Description
1	Refer to Section 2.2	Upper Fresh Air
2	Refer to Section 2.3	Upper Fresh Air – eAutoFresh
3	Refer to Section 2.4	Upper Fresh Air – eAutoFresh Panel Assembly
4	Refer to Section 2.5	Controlled Atmosphere – TransFresh
5	Refer to Section 2.6	Bulkhead Penetration – Upper Air Exchange
6	Refer to Section 2.7	Thermometer Port
7	Refer to Section 2.8	Rain Gutters
8	Refer to Section 2.9	USDA
9	Refer to Section 2.10	Control Box Preparation
10	Refer to Section 2.11	Control Box – Door
11	Refer to Section 2.12	Control Box – RMU Receptacle and Switch Panel – No RM and Internal Views
12	Refer to Section 2.13	Control Box – RMU Receptacle and Switch Panel – External View
13	Refer to Section 2.14	Control Box – Shields Removed
14	Refer to Section 2.15	Control Box – Single Fan Capability, EBD, ED
15	Refer to Section 2.15	Control Box – Wiring
16	Refer to Section 2.16	Control Box – Control Box – Controller Module Section and Software Cards
17	Refer to Section 2.17	Control Box – Display Module and Communications Interface Module
18	Refer to Section 2.18	Interrogator Receptacle
19	Refer to Section 2.19	Handles
20	Refer to Section 2.20	Compressor Mounting, Guard, Crankcase Heater Components
21	Refer to Section 2.21	Compressor Gauges and Transducers
22	Refer to Section 2.23	Compressor Tubing
23	Refer to Section 2.24	Receiver
24	Refer to Section 2.25	Water-Cooled Condenser
25	Refer to Section 2.26	SRS and STS Section
26	Refer to Section 2.27	Condenser Fan Motor and Coil Section
27	Refer to Section 2.28	Condenser Fan Grille Assembly
28	Refer to Section 2.29	Voltage Cables
29	Refer to Section 2.30	Autotransformer
30	Refer to Section 2.31	Cable Restraint Components
31	Refer to Section 2.32	Vacuum Relief Valve / Controlled Atmosphere
32	Refer to Section 2.33	Electronic Temperature Recorder – Options 9 and P
33	Refer to Section 2.34	Electronic Temperature Recorder – Options PS, 12 and 13
34	Refer to Section 2.37	Drain
35	Refer to Section 2.35	Lower Fresh Air Make-up
36	Refer to Section 2.36	Labels and Decals
37	Refer to Section 2.39	Evaporator Fan Assembly – Single-Phases Motor
38	Refer to Section 2.38	Evaporator Fan Assembly – Three-Phases Motor
39	Refer to Section 2.40	Evaporator Tubing
40	Refer to Section 2.41	Evaporator Coil Section
41	Refer to Section 2.42	Back Panel Assembly

2.2 UPPER FRESH AIR

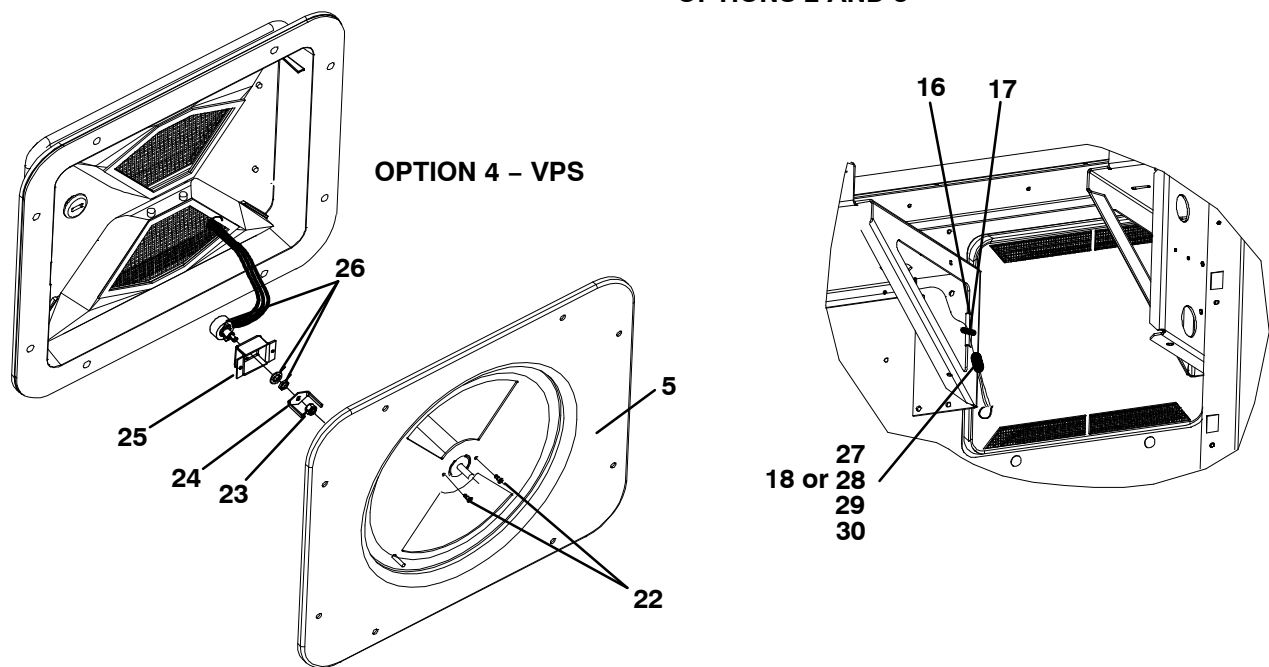
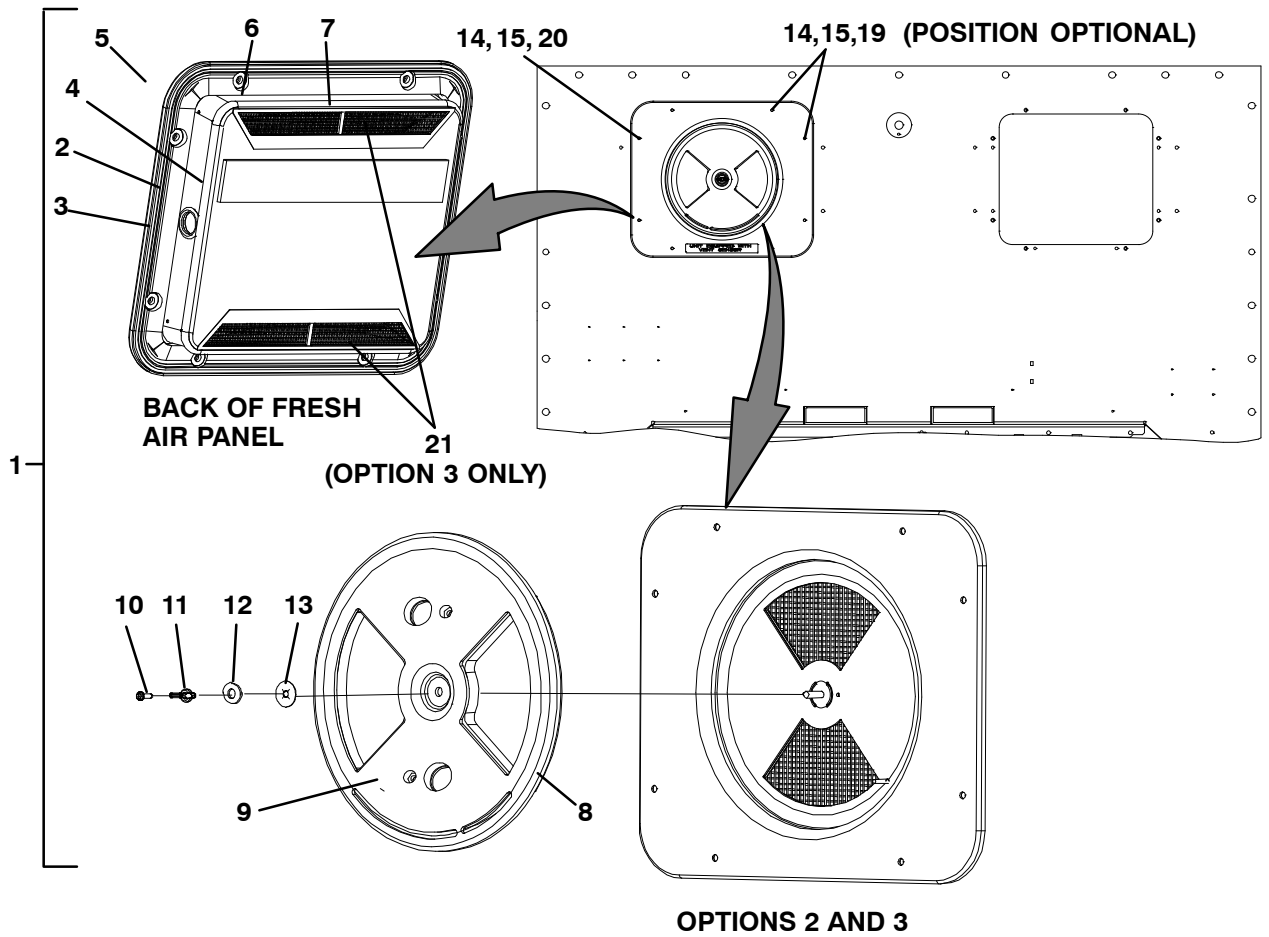


OPTION 1
OPTIONAL POSITION FOR TIR EQUIPPED UNITS

77-01157

Item	Part Number	Description	Qty
OPTION 1 - ACCESS PANEL ONLY			
1	79-01697-06SV	Panel Assembly, Access, Evaporator, White - Includes:	A/R
	79-01697-17SV	Panel Assembly, Access, Evaporator, Orange - Includes:	A/R
2	58-04378-01	Panel, Access	1
3	42-00327-00	Gasket, 0.26 X 0.50 Half-Round	1
4	42-00296-01	Gasket, Evaporator Access Panel	1
5	68-11989-00	Cover, Top, Evaporator Access Panel, White	A/R
	68-11989-01	Cover, Top, Evaporator Access Panel, Orange	A/R
6	66U1-5562-2	Plug Button	1
7	34-06154-00	Screw, Hex Head, 1/4-20 X 1.00 Inch Long - TIR	A/R
8	34-06053-13	Washer, Mylar	8
9	34-06212-12	Washer, Plain, 1/4	8
10	34-00655-08	Screw, Hex Head, 1/4-20 X 1.00 Inch Long	A/R

2.2 UPPER FRESH AIR (Continued)

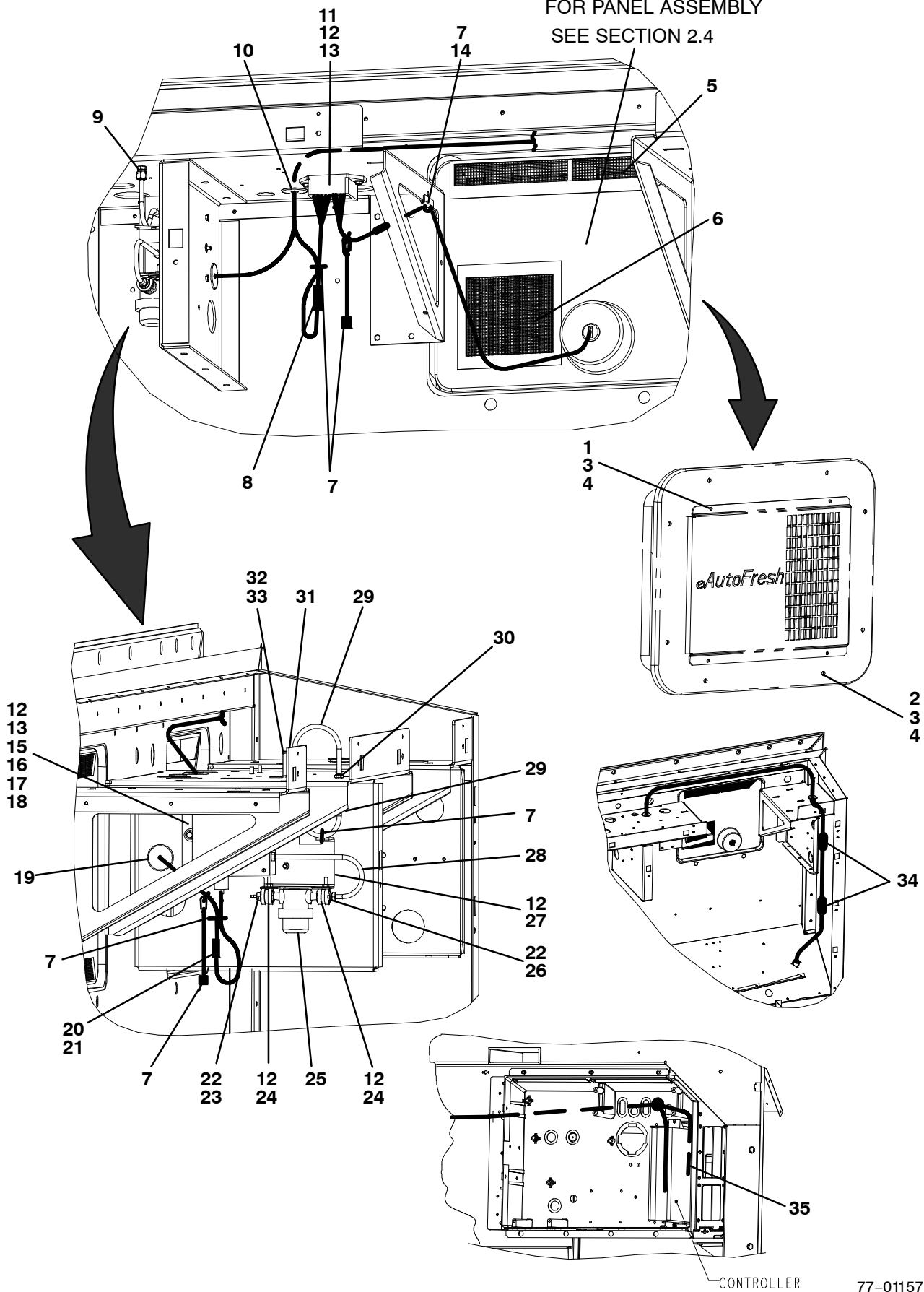


2.2 UPPER FRESH AIR (Continued)			
Item	Part Number	Description	Qty
STANDARD PARTS INCLUDED IN OPTIONS 2 AND 3			
1	79-01695-00	Panel Assembly, Access – Includes:	1
2	58-04376-03	Panel, Access	1
3	66U1-5562-2	Plug Button, 1.25 Inch Diameter Hole	1
4	66U1-2552-185	Gasket	1
5	68-12940-00	Cover, Top, Evaporator Access Panel	1
6	42-00296-01	Gasket, Evaporator Access Panel	1
7	42-00327-00	Gasket, 0.26 X 0.50 Half-Round	1
8	42-00407-00	Gasket, 0.50 Fresh Air Disc	1
9	68-12933-00	Disc, 12.35 Inch Diameter	1
10	34-06185-01	Screw, Machined, #8-32 X 0.50 with Nylock	1
11	66U1-5362-2	Nut, Wing, 5/16-18, SST	1
12	66U1-5321-13	Washer, Plain 5/16 W Type A, SST	1
13	34-06053-19	Washer, Mylar 1.00 OD X 0.312 ID	1
14	34-06053-13	Washer, Mylar, 1/4 ID X 0.80 OD	8
15	34-06212-12	Washer, Flat, 1/4, SST	8
16	66CH1-1172-2	Trim, Flexible 2.00 Inches Long	1
17	58-00969-00	Wire Tie 2.80 Inch Diameter, Double Loop	1
18	66U1-8292-1	Cap, Insulating 0.125 OD Black	3
OPTION 2 – UPPER FRESH AIR INSTALLED WITH STANDARD FASTENERS			
See Previous Section for Standard Parts and use with Items Below:			
19	34-06154-00	Screw, Hex Head, 1/4-20 X 1.00 Inch Long – TIR	2
20	34-00655-08	Screw, Hex Head, 1/4-20 X 1.00 Inch Long	6
OPTION 2- UPPER FRESH AIR INSTALLED WITH STAINLESS STEEL FASTENERS			
See Previous Section for Standard Parts and use with Items Below:			
19	34-66627-00	Screw, Hex Head, 1/4-20 X 1.00 Inch Long – TIR	2
20	66U1-5361-50	Screw, Hex Head, 1/4-20 X 1.00 Inch Long	6
OPTION 3 – UPPER FRESH AIR INSTALLED WITH SCREENS, 10 X 10			
2	58-04376-01	Panel, Access with Screen, Medfly, 10 X 10 – Includes:	1
3	66U1-5562-2	Plug Button, 1.25 Inch Diameter Hole	1
5	68-12940-00	Cover, Top, Evaporator Access Panel	1
6	42-00296-01	Gasket, Evaporator Access Panel	1
7	42-00327-00	Gasket, 0.26 X 0.50 Half-Round	1
8	42-00407-00	Gasket, 0.50 Fresh Air Disc	1
9	68-12933-00	Disc, 12.35 Inch Diameter	1
10	34-06185-01	Screw, Machined, #8-32 X 0.50 with Nylock	1
11	66U1-5362-2	Nut, Wing, 5/16-18, SST	1
12	66U1-5321-13	Washer, Plain 5/16 W Type A, SST	1
13	34-06053-19	Washer, Mylar 1.00 OD X 0.312 ID	1
14	34-06053-13	Washer, Mylar, 1/4 ID X 0.80 OD	8
15	34-06212-12	Washer, Flat, 1/4, SST	8
16	66CH1-1172-2	Trim, Flexible 2.00 Inches Long	1
17	58-00969-00	Wire Tie 2.80 Inch Diameter, Double Loop	1
18	66U1-8292-1	Cap, Insulating 0.125 OD Black	3
19	34-06154-00	Screw, Hex Head, 1/4-20 X 1.00 Inch Long – TIR	2
20	34-00655-08	Screw, Hex Head, 1/4-20 X 1.00 Inch Long	6
OPTION 3 – UPPER FRESH AIR INSTALLED WITH SCREENS, 16 X 16			
19	34-06154-00	Screw, Hex Head, 1/4-20 X 1.00 Inch Long – TIR	2
20	34-00655-08	Screw, Hex Head, 1/4-20 X 1.00 Inch Long	6
21	58-04251-00	Screen, Medfly, USDA, 16 X 16	2

2.2 UPPER FRESH AIR (Continued)			
Item	Part Number	Description	Qty
OPTION 4 – UPPER FRESH AIR INSTALLED WITH VENT POSITIONING SENSOR			
1	79-66626-00	Panel Assembly, Access, White – Includes:	1
	79-66626-01	Panel Assembly, Access, Orange – Includes:	1
2	58-04376-05	Panel, Access	1
3	66U1-5562-2	Plug Button, 1.25 Inch Diameter Hole	1
4	34-06185-01	Screw, Pan Head, #8-32 X 0.50 with Nylock	1
5	68-12940-05	Cover, Top, Evaporator Access Panel, White	1
	68-12940-03	Cover, Top, Evaporator Access Panel, Orange	1
6	42-00296-01	Gasket, Evaporator Access Panel	1
7	42-00327-00	Gasket, 0.26 X 0.50 Half-Round	1
8	42-00407-00	Gasket, 0.50 Fresh Air Disc	1
9	68-12933-07	Disc, 12.35 Inch Diameter, White	1
	68-12933-05	Disc, 12.35 Inch Diameter, Orange	1
10	66U1-5362-2	Nut, Wing, 5/16-18, SST	1
11	34-06053-19	Washer, Mylar 1.00 OD X 0.312 ID	1
12	66U1-5321-13	Washer, Plain 5/16 W Type A, SST	1
13	66U1-2552-185	Gasket	1
14	34-06053-13	Washer, Mylar, 1/4 ID X 0.80 OD	8
15	34-06212-12	Washer, Flat, 1/4, SST	8
16	66CH1-1172-2	Trim, Flexible 2.00 Inches Long	1
17	58-00969-00	Wire Tie 2.80 Inch Diameter, Double Loop	1
18	66U1-8292-1	Cap, Insulating 0.125 OD Black (NOT USED IN THIS ASSEMBLY)	3
19	34-06154-00	Screw, Hex Head, 1/4-20 X 1.00 Inch Long – TIR	2
20	34-00655-08	Screw, Hex Head, 1/4-20 X 1.00 Inch Long	6
21	58-04251-00	Screen, Medfly, USDA, 16 X 16 (NOT USED IN THIS ASSEMBLY)	2
22	34-00928-02	Rivet, Blind 0.125 Inch Diameter 0.126-0.187	2
23	NSS	Nut, Self Lock, 1/4-20	1
24	NSS	Plate	2
25	NSS	Bracket, Sensor	2
26	NSS	Sensor, Rotary Position	1
27	22-01613-10	Plug, 4-Pin	1
28	22-01613-13	Contact, Socket #16	3
29	22-01613-11	Lock, 4-Pin – Secondary	1
30	22-01660-08	Plug, 0.12 Inch Diameter X 0.58	1

2.3 UPPER FRESH AIR – eAutoFresh

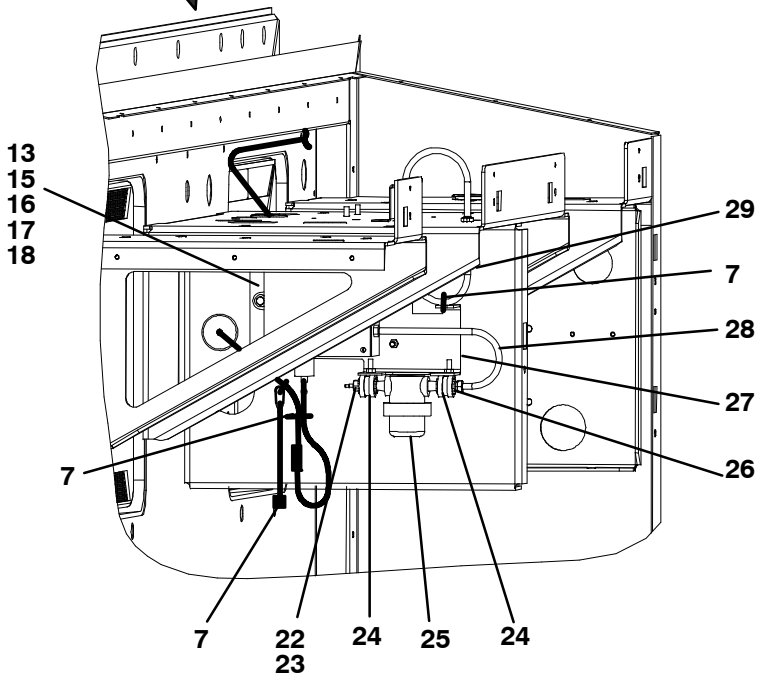
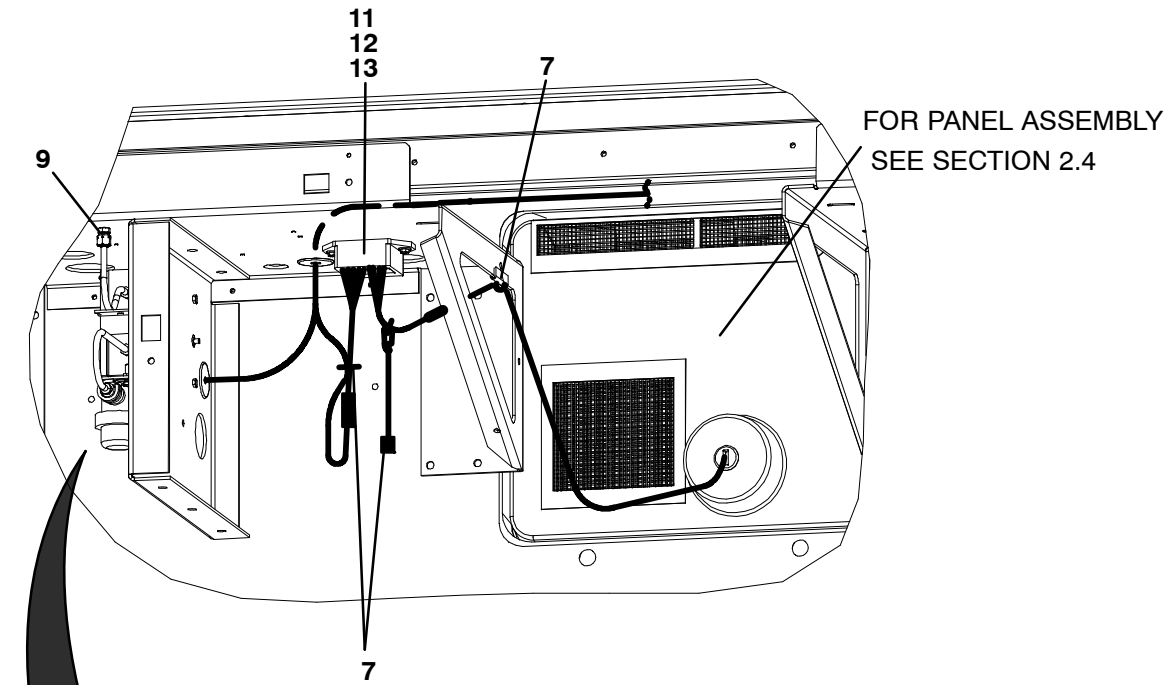
FOR PANEL ASSEMBLY
SEE SECTION 2.4



77-01157

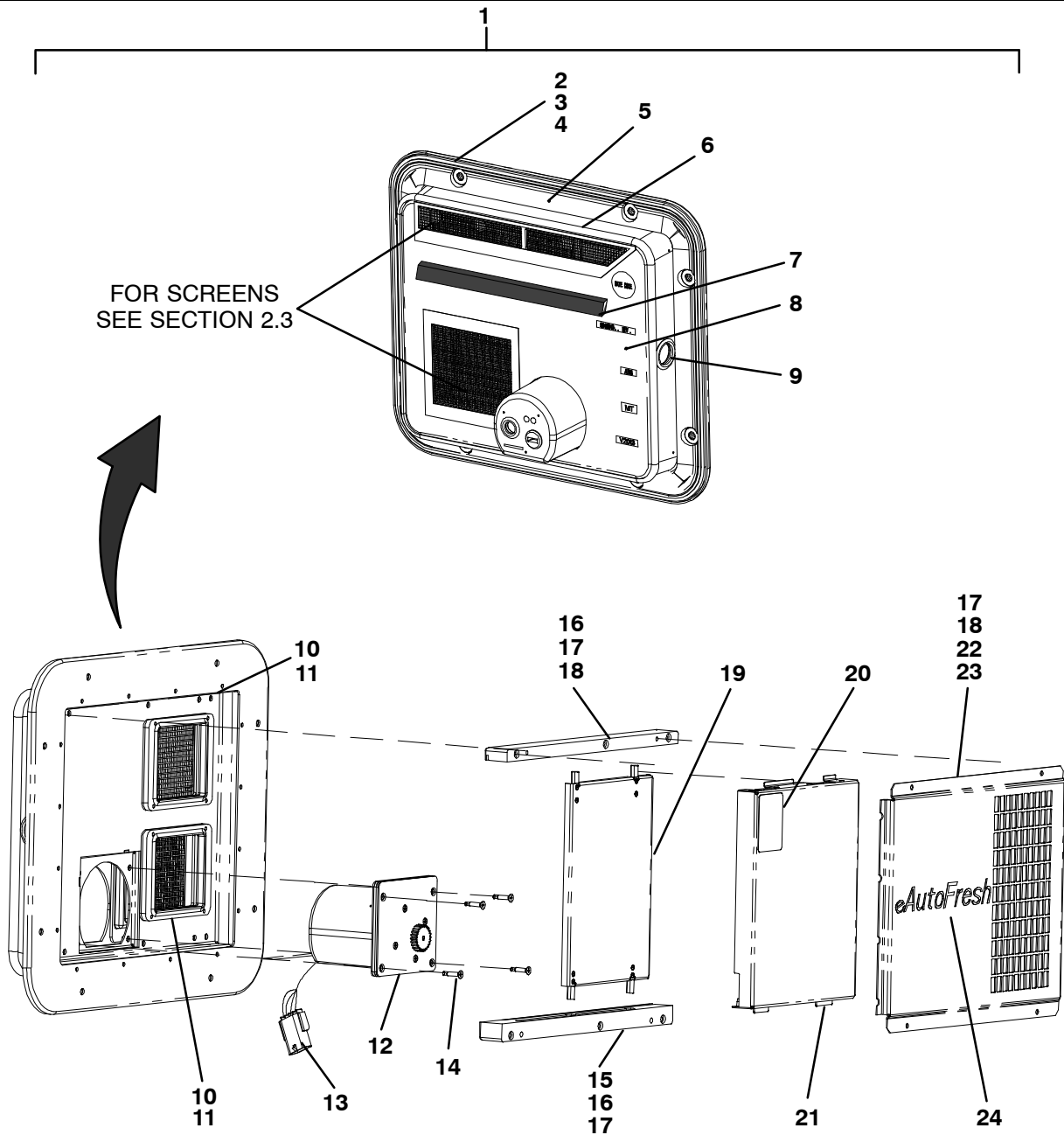
2.3 UPPER FRESH AIR – eAutoFresh (Continued)			
Item	Part Number	Description	Qty
OPTION P – UNITS PROVISIONED FOR eAutoFresh OPTION			
NS	79-66643-00	eAutoFresh, White Panel – SEE SECTION 2.4	1
	79-66643-01	eAutoFresh, Orange Panel – SEE SECTION 2.4	1
1	34-06154-00	Screw, Cap Hex Head 1/4-20 X 1.00 TIR	2
2	34-00655-08	Screw, Cap Hex Head 1/4-20 X 1.00	6
3	34-06053-13	Washer, Retaining 0.19 ID X 0.80 OD (0.250)	8
4	34-06212-12	Washer, Plain 1/4 N Type A	8
5	58-04251-01	Screen, 16 X 16 Mesh	1
6	58-04251-02	Screen, 16 X 16 Mesh	1
7	66U1-3882	Wire Tie, 1/16-1 3/4 Self-Locking	11
8	22-01835-00	Connector, 5 Socket Weatherpack	1
9	40-00601-05	Tube, Support 1/4 OD X 0.040 Wide	1
10	58-00065-77	Grommet, 0.38 ID X 1.25 OD	1
11	10-00388-00	Powerpack, Stepper Motor	1
12	66U1-5371-6	Screw, Machine Hex Head #10-24 X 0.750 Slotted	10
13	66U1-5321-8	Washer, Plain #10 Type A	4
14	66CH1-1172-2	Trim, Flexible 2.00 Long	1
15	10-00398-00	Sensor, Carbon Dioxide – Includes:	1
16	22-01613-10	Plug	1
17	22-01613-11	Lock	1
18	22-06163-15	Socket	1
19	58-00065-78	Grommet, 0.25 ID X 1.25 OD	1
20	22-01613-08	Receptacle, 4 Pin	1
21	22-01613-09	Lock, Secondary 4 Pin (R)	1
22	40-00297-00	Coupling, 1/8 X 1/8 Pipe Thread	2
23	40-00108-03	Coupling, Half Union	1
24	34-00373-07	Clamp, Tube 0.62 Diameter Cushion	2
25	30-00415-01	Filter Assembly, Sample Air, 1/8 NPT	1
26	KA70PP048	Fitting, Hose 1/8 ID Barb X 1/8 NPT	1
27	68-14738-00	Bracket, Mounting, 0.090 Thick Aluminum	1
28	58-04497-04	Tube, 1/4 Inch OD X 7.75 Inches Long	1
29	58-04497-01	Tube, 1/4 Inch OD X 6.25 Inches Long	2
30	40-00640-00	Union, Bulkhead Double Brb/Comp Align	1
31	58-00065-84	Grommet, 0.25 X 0.50 X 0.187 Panel	1
32	68-14739-00	Bracket, 0.063 Thick Aluminum	1
33	34-00928-03	Rivet, Blind, 0.125 Diameter, 0.188-0.250	2
34	44-00361-00	Clip, Retaining 0.88-1.00 Wire Mounting	2
35	22-01777-03	Contact Socket, 20 AWG	7

2.3 UPPER FRESH AIR – eAutoFresh (Continued)



2.3 UPPER FRESH AIR – eAutoFresh (Continued)			
Item	Part Number	Description	Qty
OPTION 1 – eAutoFresh INSTALLED			
NS	79-66643-00	eAutoFresh, White Panel – SEE SECTION 2.4	1
	79-66643-01	eAutoFresh, Orange Panel – SEE SECTION 2.4	1
7	66U1-3882	Wire Tie, 1/16-1 3/4 Self-Locking	11
9	40-00601-05	Tube, Support 1/4 OD X 0.040 Wide	1
11	10-00388-00	Powerpack, Stepper Motor	1
12	66U1-5371-6	Screw, Machine Hex Head #10-24 X 0.750 Slotted	10
13	66U1-5321-8	Washer, Plain #10 Type A	4
15	10-00398-00	Sensor, Carbon Dioxide – Includes:	1
16	22-01613-10	Plug	1
17	22-01613-11	Lock	1
18	22-06163-15	Socket	1
22	40-00297-00	Coupling, 1/8 X 1/8 Pipe Thread	2
23	40-00108-03	Coupling, Half Union	1
24	34-00373-07	Clamp, Tube 0.62 Diameter Cushion	2
25	30-00415-01	Filter Assembly, Sample Air, 1/8 NPT	1
26	KA70PP048	Fitting, Hose 1/8 ID Barb X 1/8 NPT	1
27	68-14738-00	Bracket, Mounting, 0.090 Thick Aluminum	1
28	58-04497-04	Tube, 1/4 Inch OD X 7.75 Inches Long	1
29	58-04497-01	Tube, 1/4 Inch OD X 6.25 Inches Long	2

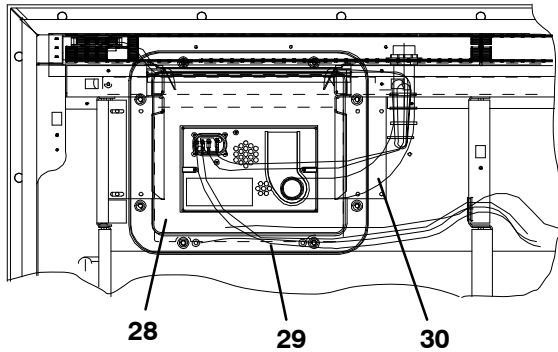
2.4 UPPER FRESH AIR – eAutoFresh PANEL ASSEMBLY



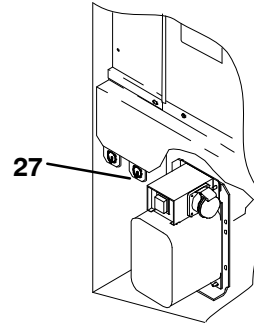
77-01157

2.4 UPPER FRESH AIR – eAutoFresh PANEL ASSEMBLY (Continued)			
Item	Part Number	Description	Qty
1	79-66643-00	eAutoFresh, White Panel Includes:	
	79-66643-01	eAutoFresh, Orange Panel Includes:	
2	68-11989-08	Cover, Access White	1
	68-11989-10	Cover, Access Orange	1
3	34-00928-09	Rivet, Blind, 0.156 Diameter 0.126 – 0.250	16
4	86-66704-00	Box Assembly, Recess, White	1
	86-66704-01	Box Assembly, Recess, Orange	1
5	42-00296-01	Gasket, Evaporator Access Panel	1
6	42-00327-00	Gasket, 0.25 X 0.5 Half Round	1
7	58-66642-00	Panel Assembly, eAutoFresh	1
8	66U1-2552-185	Gasket, 0.75 Thick X 1.5 X 16.63	1
9	66U1-5562-2	Plug Button, 1.25 Diameter Hole	1
10	58-66640-00	Collar, eAutoFresh	2
11	34-00928-06	Rivet, Blind 0.125 Diameter 0.376 – 0.500	8
12	79-66641-00	Cup Assembly, White – Includes:	1
	79-66641-01	Cup Assembly, Orange – Includes:	1
13	22-02392-03	Connector, Female	1
14	34-66642-09	Screw, Flat Head 10-32 82 Degree Phillips	4
15	58-66645-00	Rail Bottom, eAutoFresh	1
16	66U1-6651-26	Screw, Machine Pan Head #8-32 X 1.75	10
17	34-00662-08	Washer, Plain, #8 Medium 0.032 Thick	10
18	58-66644-00	Rail Top, eAutoFresh	1
19	79-66640-00	Plate Assembly – Slide	1
20	62-66697-00	Label Warning, eAutoFresh	1
21	79-66642-00	Plate Assembly – Gasket	1
22	68-14715-00	Grille, White, 0.063 Thick Aluminum	1
	68-14715-01	Grille, Orange, 0.063 Thick Aluminum	1
23	58-04026-56	Protector, 0.562 OD X 0.177 ID	7
24	62-66701-00	Label, eAutoFresh	1

2.5 CONTROLLED ATMOSPHERE – TRANSFRESH SECTION



Upper back left of unit w/ evap fan assembly removed



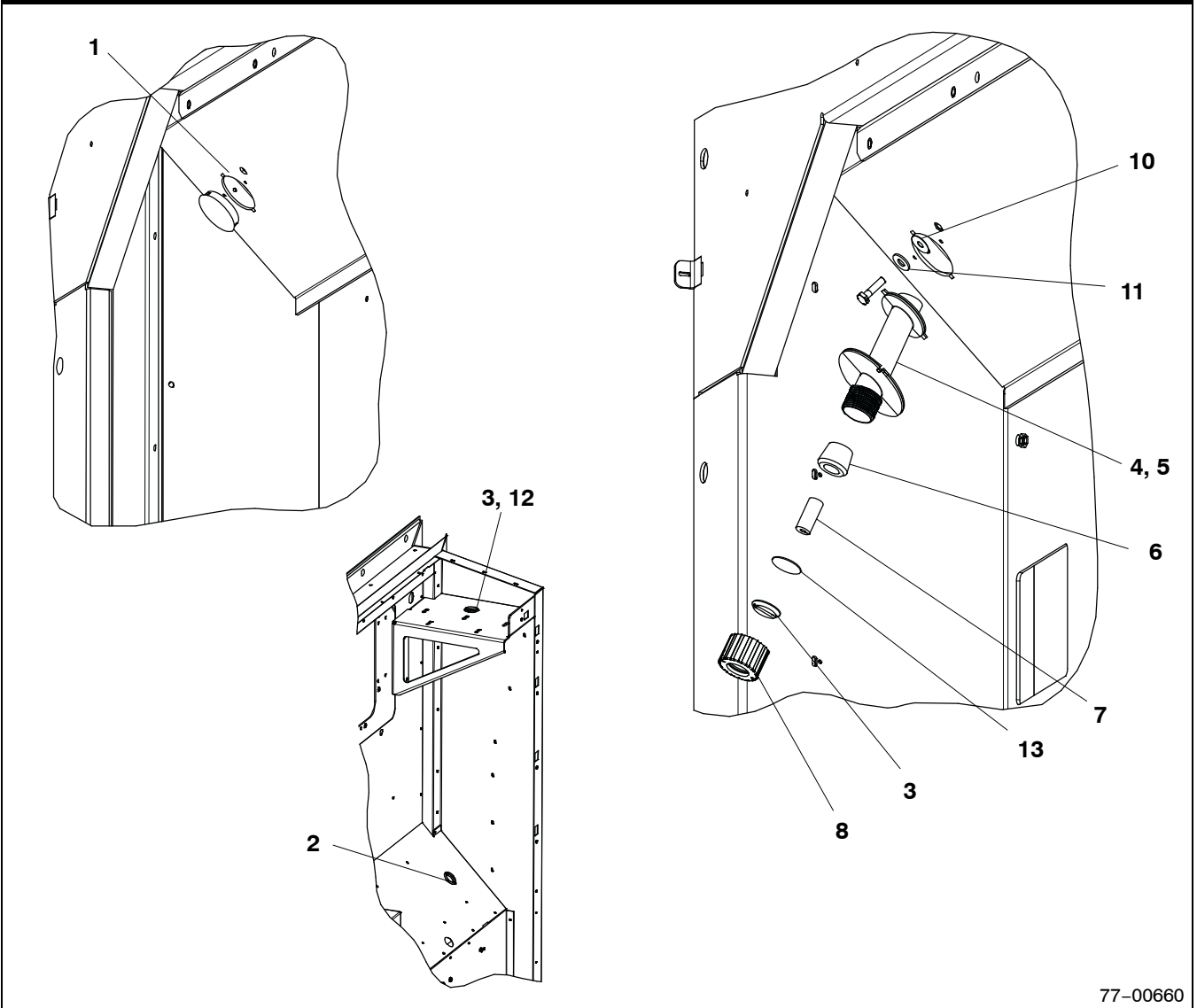
Partial view of the lower left corner of the unit.

Item	Part Number	Description	Qty
-	76-00681-01	Kit, Transfresh Field Installation (For units with NO Transfresh Provision) – Includes:	-
25	34-00655-28	Screw, Hex Head, 1/4-20 x 3-1/2 lg. – SST	4
26	69NT35-6348	Bracket	2
NS	58-04290-00	Pipe Assembly, PVC	1
*27	69NT35-8734-4	Cable Assembly, Transfresh Communications Connector (TCC)	1
*28	69NT35-8734-16	Panel Assembly, Transfresh	1
*29	69NT35-8734-12	Cable, Power – A2C (Transfresh)	1
*30	69NT35-8734-5	Hose Assembly, Air (Transfresh)	1
*NS	69NT35-8734-14	Cable Assembly, Rear (Transfresh)	1
*NS	69NT35-8734-6	Fuse Assembly, In-line (Transfresh)	1

NOTE

* Contact – TransFresh Corp., P.O. Box 1788, Salinas, CA 93902 to order these parts.

2.6 BULKHEAD PENETRATION – UPPER AIR EXCHANGE

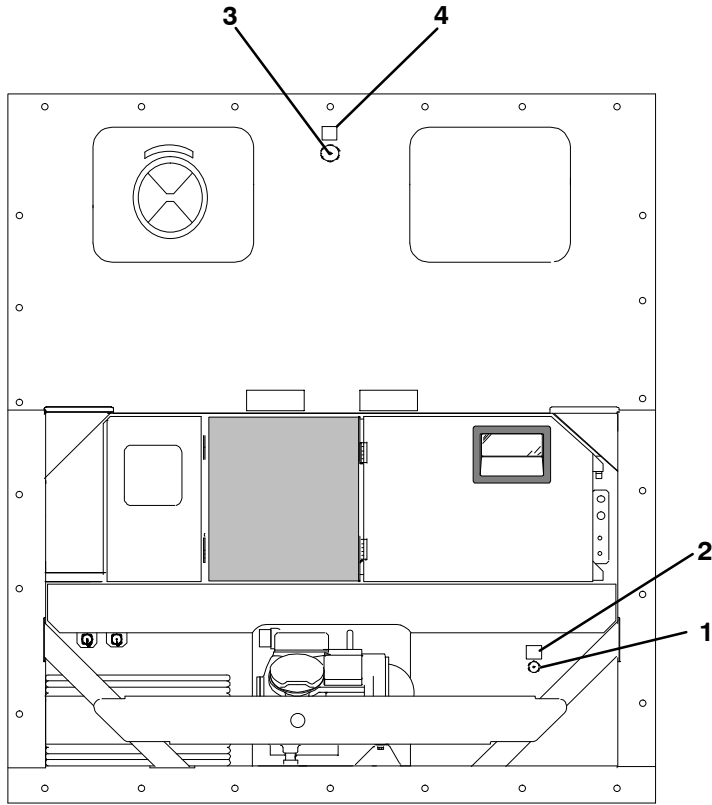


77-00660

Item	Part Number	Description	Qty
OPTION 1 – NOT INSTALLED			
1	58-00616-00	Plug, Hole, 2.00 Inch Diameter X 0.12 Panel	1
2	66U1-5562-2	Plug Button, 1.25 Inch Diameter Hole	1
OPTION 2 – INSTALLED			
3	22-01602-03	Gotcha Ring, 0.312-0.375	1
4	58-04290-00	Fitting, Bulkhead	1
5	34-00928-20	Rivet, Blind, 1/8 Inch Diameter, Grip Range 1/4 - 5/16	5
6	22-01602-02	Bushing, 0.625 ID X 0.88 Inches Long	1
7	58-04302-01	Grommet, 0.25 ID X 1.25 Inches Long	1
8	22-01733-01	Nut, Straight (With TIR Holes)	1
9	34-06154-03	Screw, Captive, Hex Head, 1/4-20 X 1.00 TIR	1
10	34-06053-00	Washer, 0.250 ID X 0.800 OD	1
11	66U1-5321-7	Washer, Plain, 1/4 W, Type A	1
12	66U1-1571-14	Grommet (Transfresh Cable Only)	1
	66U1-5562-12	Plug, Button (No Transfresh & Recorder Provisioned)	1
13	69NT35-8258	Disc, 0.040 Thick Aluminum (No Transfresh & Recorder Provisioned)	1

77-00660-01,02, 11

2.7 THERMOMETER PORT

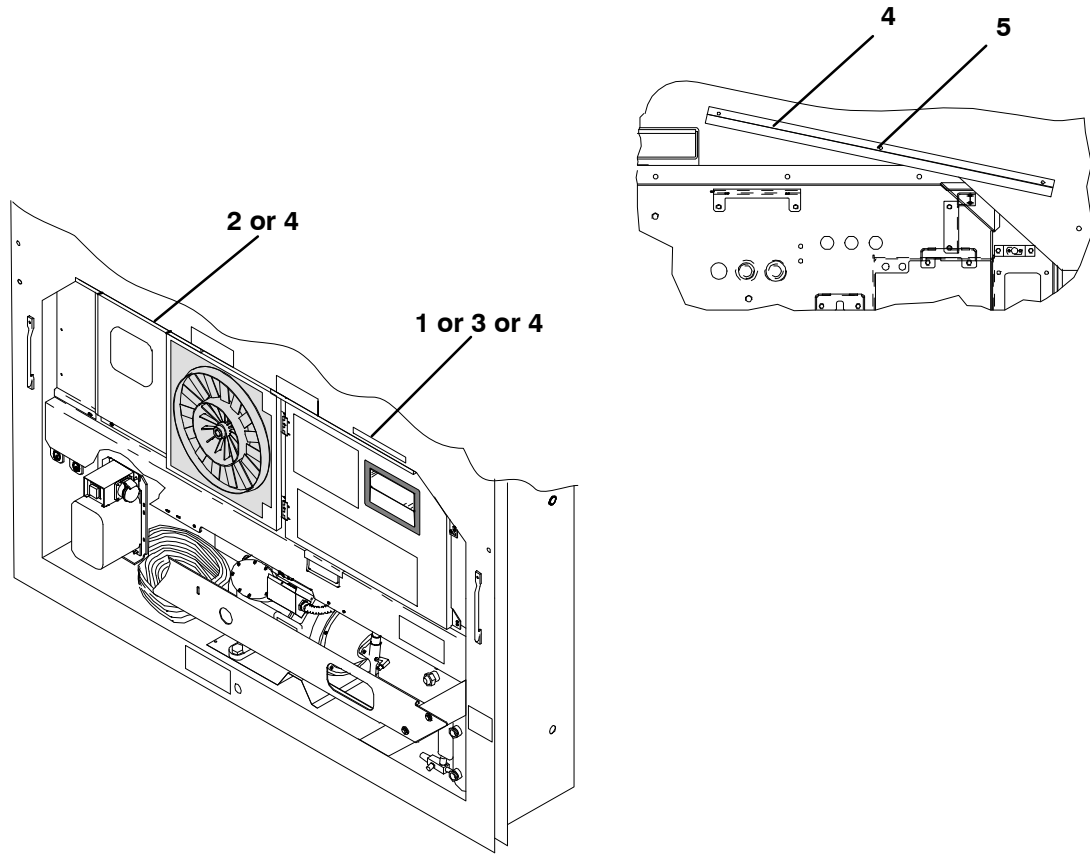


77-00721

Item	Part Number	Description	Qty
OPTION 1 - SUPPLY AIR PORT			
1	66U1-8662	Cap & Chain Assembly	1
2	62-10557-00	Label	1
OPTION 2 - RETURN AIR PORT			
3	66U1-8662	Cap & Chain Assembly	1
4	62-10557-00	Label	1
OPTION B - SUPPLY AND RETURN PORTS			
1 & 3	66U1-8662	Cap & Chain Assembly	2
2 & 4	62-10557-00	Label	2

77-00721-00,01

2.8 RAIN GUTTERS

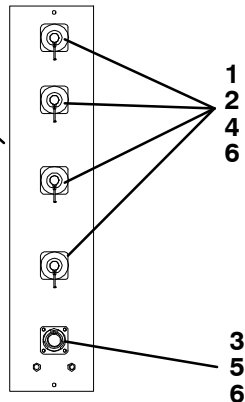
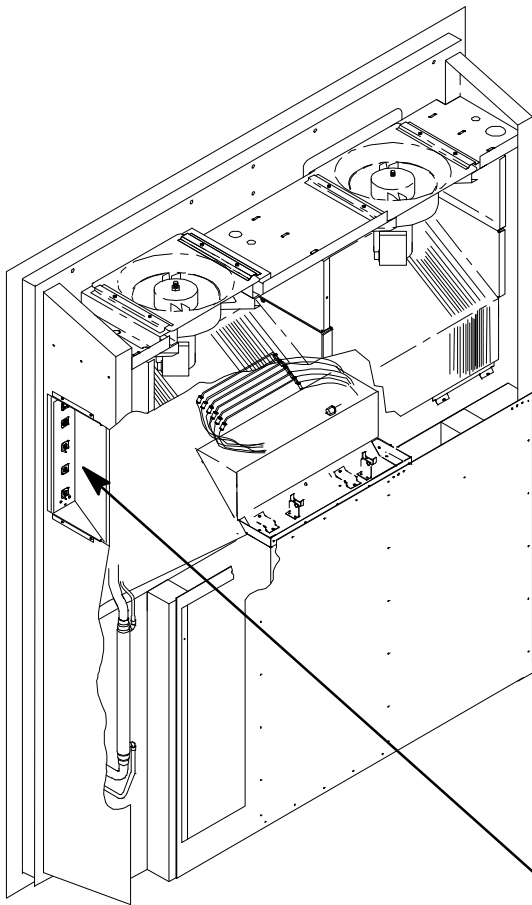


69NT-43-266

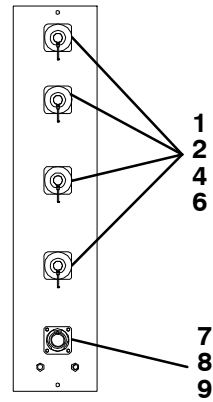
Item	Part Number	Description	Qty
OPTION 1 - STANDARD LENGTH - BOLTED			
1	69NT35-3987	Gutter, Rain (Bolted, Standard - Right Side)	1
2	69NT35-3997-1	Gutter, Rain (Bolted, Standard & Extended Length - Left Side)	1
OPTION 3 - EXTENDED LENGTH - BOLTED			
2	69NT35-3997-1	Gutter, Rain (Bolted, Standard & Extended Length - Left Side)	1
3	69NT35-8548	Gutter, Rain (Bolted - Right Side)	1
OPTION 4 - RIVETED			
4	68-12417-00	Gutter, Rain (Riveted - Right and Left Side)	2
5	34-00928-13	Rivet, Blind 0.187 Inch Diameter, 0.126-0.250	6

69NT43-266,4

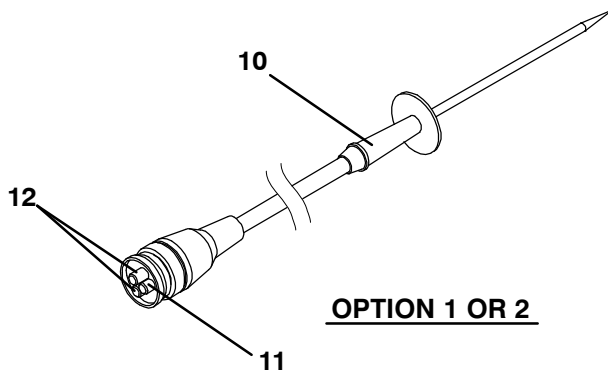
2.9 USDA SECTION



OPTION - D



OPTION - V

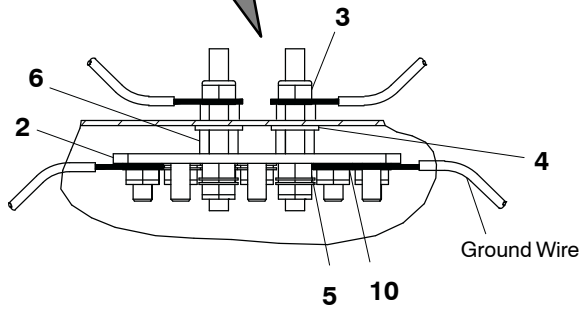
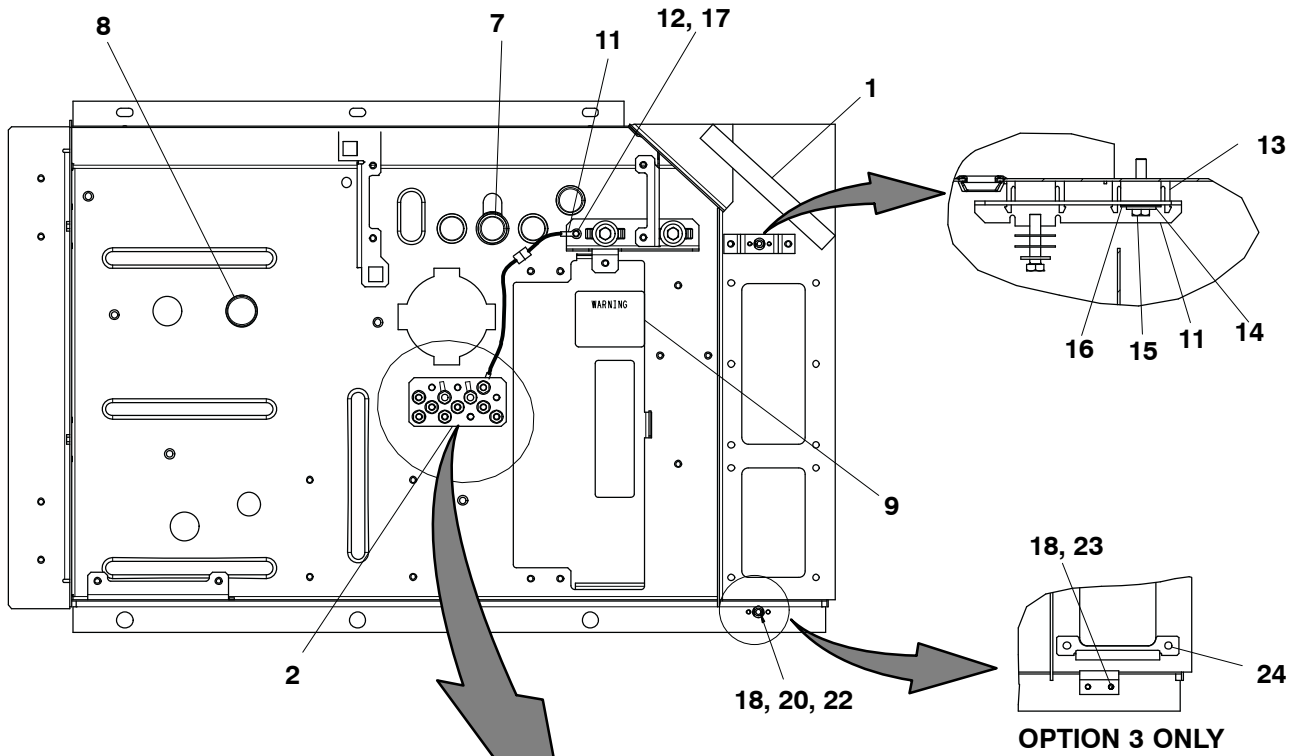


OPTION 1 OR 2

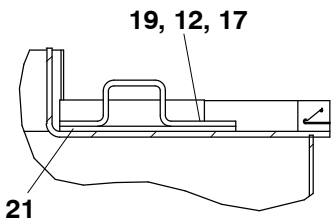
77-01105, 77-00744

2.9 USDA SECTION (Continued)			
Item	Part Number	Description	Qty
OPTION D			
-	76-00760-00	Kit, USDA (For field installation, units provisioned for side-mounted USDA - See Unit Matrix) - Includes:	-
1	07-00397-12	Plug, Sealing	4
2	22-01660-00	Receptacle (PR1, PR2, PR3, Cargo Probe 4) (3 Pin)	4
3	22-01660-03	Receptacle, Interrogator (ICR) (5 Pin) ¹	1
NS	69NT41-992	Plate Assembly, USDA - Includes:	1
4	69NT43-175	Cap, Dust, with Tether (3 Pin)	4
5	69NT43-176	Cap, Dust, with Chain (5 Pin)	1
6	22-01613-14	Contact, Pin, #16 (Used with 22-01660-00 & 22-01660-03)	13
NS	69NT40-507-1	Door Assembly (Included and Used with REAR-mount USDA only)	1
NS	22-01660-04	Plug, Interrogator Socket (ICR) (5 Pin)	1
OPTION V			
1	22-01660-08	Plug, Sealing	4
2	22-01660-00	Receptacle (PR1, PR2, PR3, Cargo Probe 4) (3 Pin)	4
4	69NT43-175	Cap, Dust, with Tether (3 Pin)	4
6	22-01613-14	Contact, Pin, #16 (Used with 22-01660-00 & 22-01660-03)	13
7	22-02412-00	Receptacle, Interrogator (5 Pin)	1
8	22-02413-00	Cap, Dust, with Tether (5 Pin)	1
9	22-02398-02	Socket, Contact (Silver Plated)	A/R
	22-02398-03	Socket, Contact (Gold Plated)	A/R
USDA PROBE KITS			
OPTION 1			
10	12-00342-03	Sensor Assembly, 600" lg. (15M) (USDA Probe) - Includes:	A/R
11	22-50127-00	Plug, Socket (PR1, PR2, PR3, Cargo Probe 4)	1
12	22-01613-15	Contact, Socket, #16 (Used with 22-50127-00 & 22-01660-04)	A/R
OPTION 2			
10	12-00342-02	Sensor Assembly, 540" lg. (13.5M) (USDA Probe) - Includes:	A/R
	12-00342-04	Sensor Assembly, 600" lg. (15M) (USDA Probe) - Includes:	A/R
11	22-50127-00	Plug, Socket (PR1, PR2, PR3, Cargo Probe 4)	1
12	22-01613-15	Contact, Socket, #16 (Used with 22-50127-00 & 22-01660-04)	A/R
NOTE			
Do not mix silver pins with gold pins and sockets.			

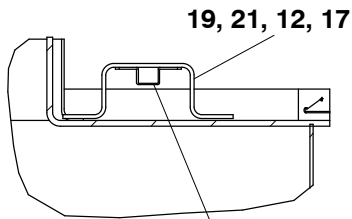
2.10 CONTROL BOX PREPARATION



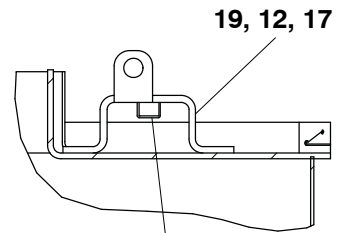
OPTION 3 ONLY



**LATCH FASTENER,
NON-LOCKING DOOR**



**SCREW FASTENER,
NON-LOCKING DOOR**

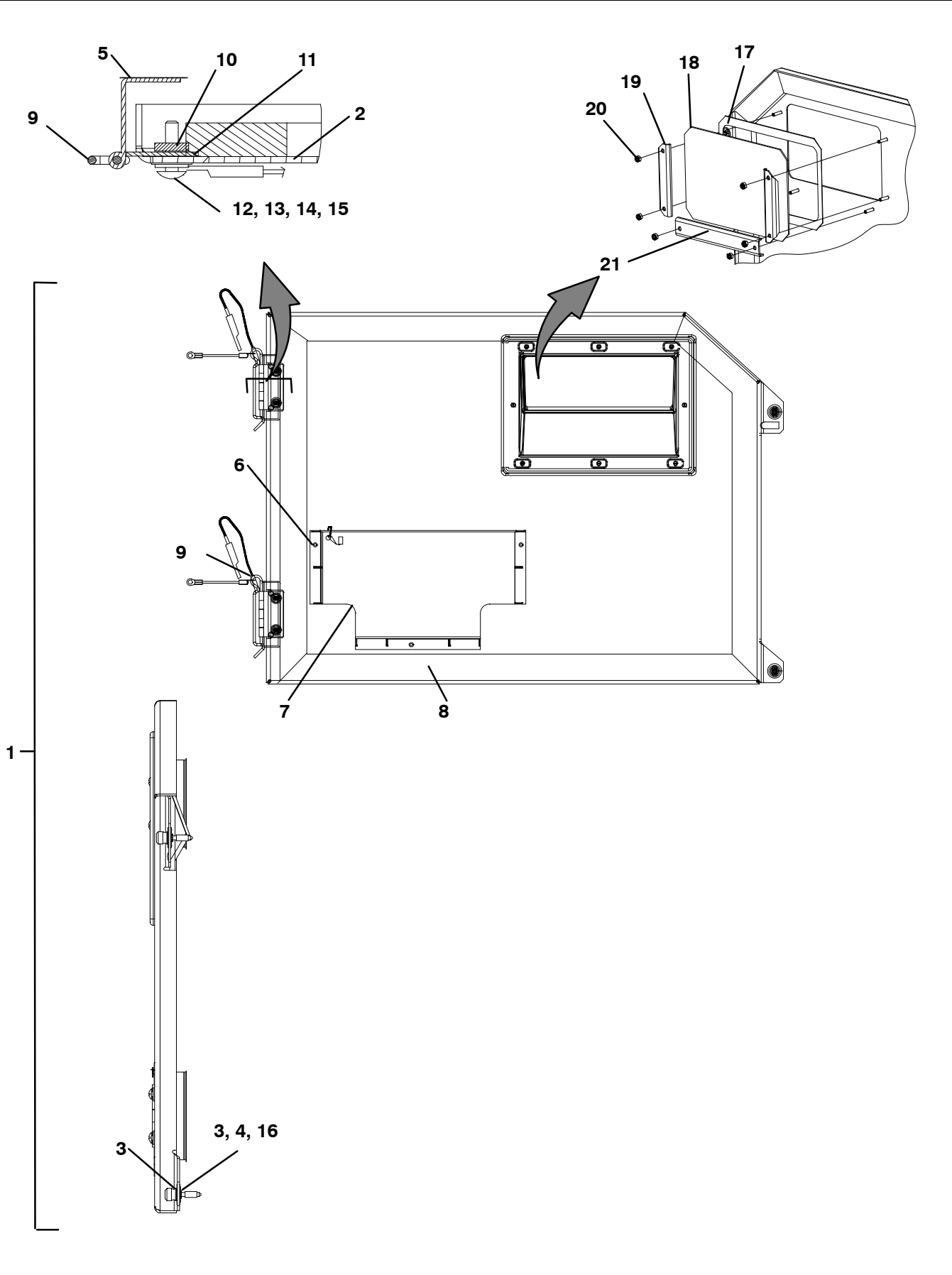


**SCREW FASTENER,
LOCKING DOOR**

77-66622

2.10 CONTROL BOX PREPARATION (Continued)			
Item	Part Number	Description	Qty
STANDARD PARTS INCLUDED IN OPTIONS			
1	42-00174-104	Gasket	1
2	69NT41-982-3	Strap Assembly	1
	68-86230-00	Strap Assembly (Box Assembly with .090 Thick Ground Plate)	1
3	34-00667-11	Nut, Self Lock	2
4	66U1-5321-3	Washer, Plain 1/4	2
5	AT39JA171	Nut, Hex	10
6	66U1-9592-13	Standoff 1/4-20 X 0.375	2
7	58-00701-03	Plug, Button	3
8	66U1-5562-7	Plug, Button	1
9	62-10911-00	Label, Warning M13 Only!	1
10	AU27JR171	Washer, Lock 1/4	10
11	68-15270-00	Bracket	1
12	66U1-5371-7	Screw, Mach Hex Head 10-24 X 0.500	3
13	58-00967-00	Spacer Locking	2
14	66U1-5321-7	Washer, Plain 1/4	2
15	34-00655-10	Screw, Cap Hex Head 1/4-20 X 1.25	2
16	34-06053-03	Washer 0.250 ID X 1.000 OD	4
17	66U1-5321-8	Washer, Plain #10 Type A	3
OPTION 1 - SCREW FASTENER, NON-LOCKING DOOR			
18	34-01142-01	Receptacle #12 Saddle Type	2
19	69NT35-6272	Bracket	1
20	34-00928-01	Rivet, Blind	4
21	34-06053-05	Washer	2
22	58-04026-32	Protector, Mylar	2
OPTION 2 - SCREW FASTENER, LOCKING DOOR			
18	34-01142-01	Receptacle #12 Saddle Type	2
19	69NT35-2287	Bracket	1
20	34-00928-01	Rivet, Blind	2
23	34-00928-20	Rivet, Blind	2
21	34-06053-11	Washer	1
22	58-04026-32	Protector, Mylar	1
OPTION 3 - LATCH FASTENER, NON-LOCKING DOOR			
18	68-66776-01	Bracket Latch Closure	1
19	86-66689-00	Stop, Door Latch Latch Closure	1
23	34-00928-20	Rivet, Blind	2
21	58-04026-70	Protector	1
24	68-66773-01	Keeper Latch Closure	1

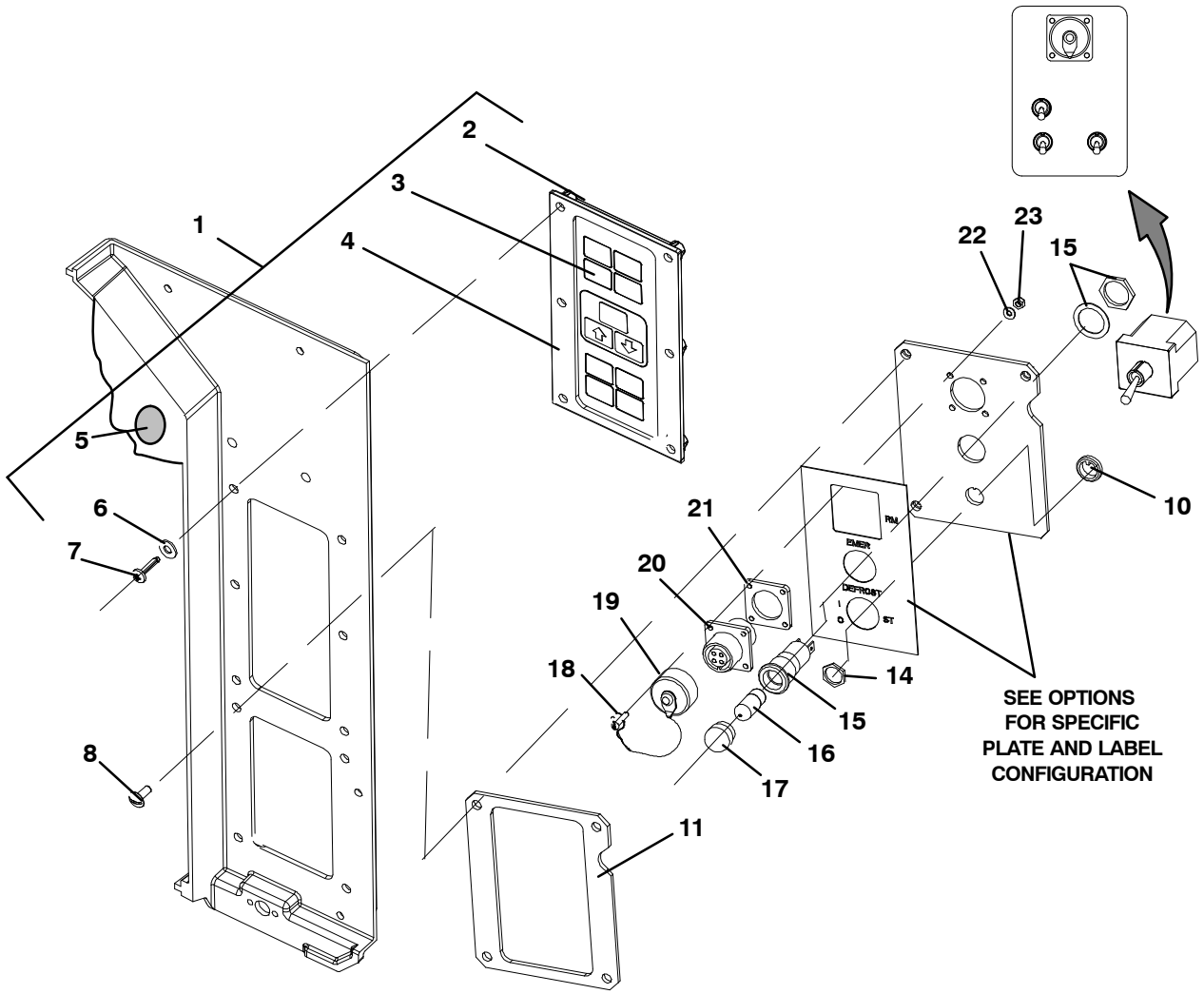
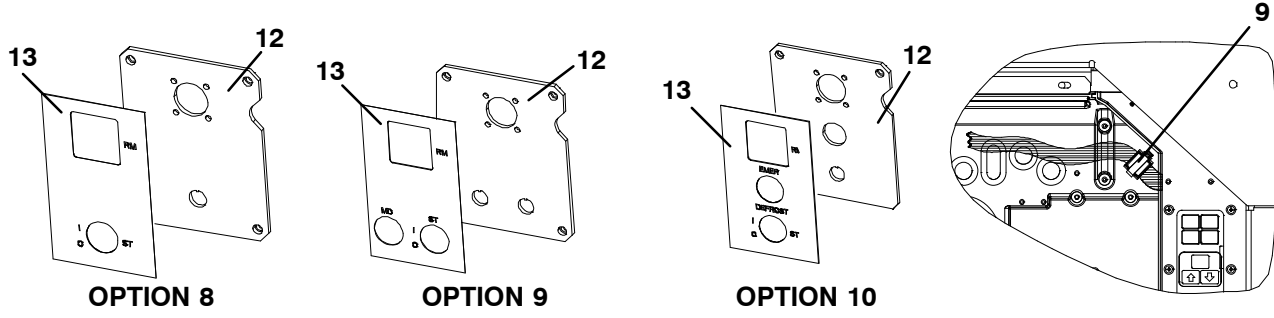
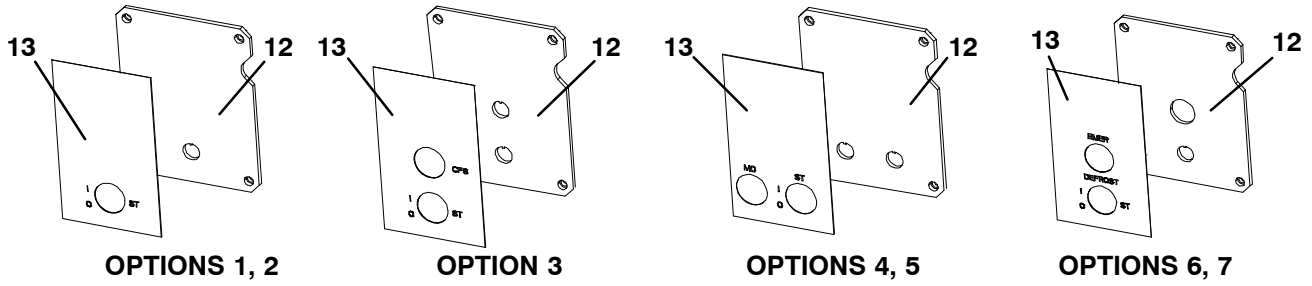
2.11 CONTROL BOX DOOR - LCD AND LED DISPLAYS



2.11 CONTROL BOX DOOR – LCD AND LED DISPLAYS (Continued)

Item	Part Number	Description	Qty
OPTION 1, LED DISPLAY			
1	79-66655-03	Door Assembly, LED Display – Includes:	
2	86-04461-01	Door, Control Box	1
3	34-06053-00	Washer, 0.250 ID X 0.800 OD	4
4	34-06169-00	Washer	2
5	58-04101-01	Protector, 1.00 X 3.62	2
6	34-06107-00	Rivet, Blind, 0.125 Inch Diameter, 0.188-0.250	3
7	58-04389-00	Pocket	1
8	42-00270-02	Gasket, Control Box Door	1
9	44-00300-00	Hinge Assembly with Tethered Pin	2
10	34-01167-01	Nut, Retainer 10-24 X 1.75	2
11	58-04101-00	Protector 1.00 X 2.63	2
12	66U1-2403-1	Screw, 10-24 X 0.750 Slotted	4
13	34-00663-09	Washer, Lock 10 Spring	4
14	66U1-5321-8	Washer, Plain 10 Type A	4
15	34-06053-05	Washer, 0.205 ID X 0.600 OD	4
16	66U1-6811-15	Screw, Retaining 0.300-0.625, Wing	2
17	42-00611-00	Foam, Double Coated	1
18	69NT35-5022-6	Window	1
19	68-14817-00	Bracket, Mounting	2
20	34-00795-09	Nut, Self-Locking 10-32	6
21	68-13724-00	Bracket, Mounting	1
OPTION 2, LCD DISPLAY			
1	74-66608-00	Door Assembly LCD Display – Includes:	
2	86-04461-00	Door, Control Box	1
3	34-06053-00	Washer, 0.250 ID X 0.800 OD	4
4	34-06169-00	Washer	2
5	58-04101-01	Protector, 1.00 X 3.62	2
6	34-06107-00	Rivet, Blind, 0.125 Inch Diameter, 0.188-0.250	3
7	58-04389-00	Pocket	1
8	42-00270-02	Gasket, Control Box Door	1
9	44-00300-00	Hinge Assembly with Tethered Pin	2
10	34-01167-01	Nut, Retainer 10-24 X 1.75	2
12	66U1-2403-1	Screw, 10-24 X 0.750 Slotted	4
13	34-00663-09	Washer, Lock 10 Spring	4
14	66U1-5321-8	Washer, Plain 10 Type A	4
15	34-06053-05	Washer, 0.205 ID X 0.600 OD	4
16	66U1-6811-8	Screw, Retaining	2
18	58-04366-00SV	Window	1

2.12 CONTROL BOX – RMU RECEPTACLE, SWITCH PANEL, NO RMU, INTERNAL VIEWS



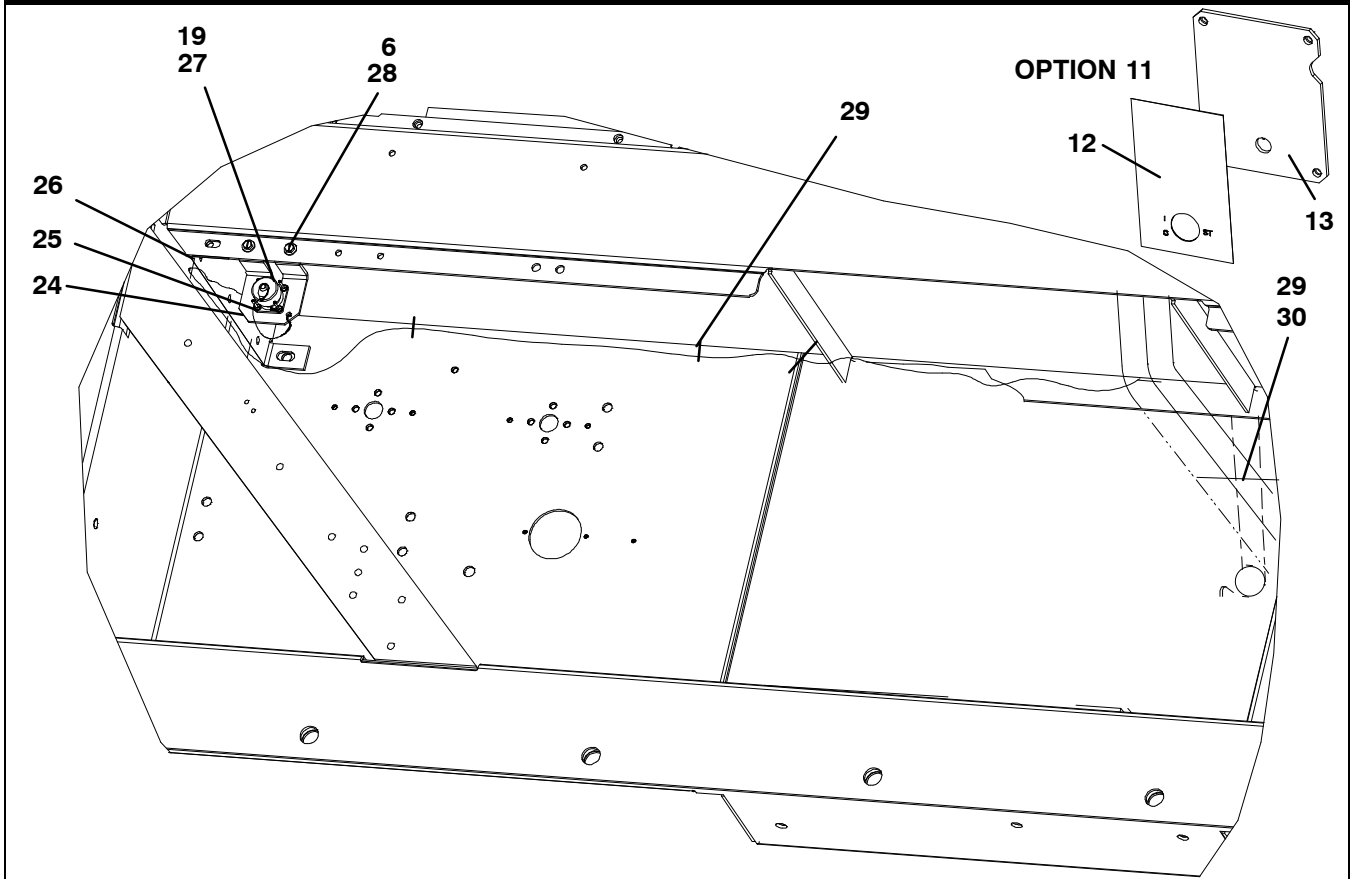
2.12 CONTROL BOX – RMU RECEPTACLE, SWITCH PANEL, NO RMU, INTERNAL VIEWS (Continued)

Item	Part Number	Description	Qty
STANDARD PARTS INCLUDED IN OPTIONS			
1	79-66669-00	Key Pad Assembly – Includes:	1
2	NSS	Plate, Backup Keypad, Composite Box	1
3	NSS	Key Pad, Core Micro	1
4	NSS	Gasket Keypad, 0.125 Thick	1
5	NSS	Dot, Indicator (Green) – See NOTE	1
6	34-06212-10	Washer, Plain #10 Type A	6
7	34-66630-00	Screw, Pinhead #10-9 X 0.75 Long	6
8	34-66629-05	Screw, Machined Thread #10-24 X 0.750 Slotted	4
9	44-00391-00	Clamp	1
10	66U1-9752	Seal 0.427/0.432, Bushing	2
11	42-00608-00	Gasket Switch Plate	1
See Previous Section for Standard Parts and use with Items Below:			
OPTION 1 – NO REMOTE MONITORING, START SWITCH PLATE			
12	68-14796-00	Plate, Switch	1
13	62-10914-00	Switch Label, ST	1
14	10-01129-20	Nut, Hex 15/32-32 Un-2B	2
OPTION 2 – NO REMOTE MONITORING, START WITH BOOT SWITCH PLATE			
12	68-14796-00	Plate, Switch ST	1
13	62-10914-00	Switch Label, ST	1
14	66U2-1081	Boot Toggle Switch	1
OPTION 3 – NO REMOTE MONITORING, COMPRESSOR FAN SWITCH PLATE			
12	68-14796-01	Plate, Switch ST, Compressor Fan Switch	1
13	62-10914-01	Switch Label, ST, CFS	1
14	10-01129-20	Nut, Hex 15/32-32 Un-2B	2
OPTION 4 – NO REMOTE MONITORING, MANUAL DEFROST SWITCH PLATE			
12	68-14796-05	Plate, Switch ST, Manual Defrost	1
13	62-10914-05	Switch Label, ST, MD	1
14	10-01129-20	Nut, Hex 15/32-32 Un-2B	2
OPTION 5 – NO REMOTE MONITORING, MANUAL DEFROST WITH BOOT SWITCH PLATE			
12	68-14796-05	Plate, Switch ST, Manual Defrost	1
13	62-10914-05	Switch Label, ST, MD	1
14	66U2-1081	Boot Toggle Switch	2
OPTION 6 – NO REMOTE MONITORING, AMBER DEFROST LIGHT			
12	68-14796-02	Plate, Switch ST, Defrost Light	1
13	62-10914-02	Switch Label, ST, EMER, DEFROST	1
14	10-01129-20	Nut, Hex 15/32-32 Un-2B	1
15	22-00518-01	Base Pilot Light	1
16	22-00049-01	Lamp, Incandescent, 24 VDC	1
17	22-00519-03	Jewel Assembly Pilot Light, Amber	1

2.12 CONTROL BOX – RMU RECEPTACLE, SWITCH PANEL, NO RMU, INTERNAL VIEWS (Continued)

Item	Part Number	Description	Qty
See Previous Page for Standard Parts and use with Items Below:			
OPTION 7 – NO RM, RED DEFROST LIGHT			
12	68-14796-02	Plate, Switch ST, Defrost Light	1
13	62-10914-02	Switch Label, ST, EMER, DEFROST	1
14	10-01129-20	Nut, Hex 15/32-32 Un-2B	1
15	22-00518-01	Base Pilot Light	1
16	22-00049-01	Lamp, Incandescent, 24 VDC	1
17	22-00519-01	Jewel Assembly Pilot Light, Red	1
OPTION 8 – WITH REMOTE MONITORING, INTERNAL			
12	68-14796-03	Plate, Switch ST, Remote Monitoring	1
13	62-10914-03	Switch Label, ST, RM	1
14	10-01129-20	Nut, Hex 15/32-32 Un-2B	1
18	34-00848-10	Screw, Machined Roundhead #4-40 X 0.625	4
19	22-02341-01	Cap and Tether Receptacle Assembly	1
20	22-01604-00	Receptacle, 4 Connections	1
21	MS510074	Gasket	1
22	66U1-5321-6	Washer, Plain 0.125 ID Type A	4
23	34-00667-05	Nut, Self Lock 4-40	4
OPTION 9 – WITH REMOTE MONITORING AND MD SWITCH, INTERNAL			
12	68-14796-06	Plate, Switch ST, RM, MD	1
13	62-10914-06	Switch Label, ST, RM, MD	1
14	10-01129-20	Nut, Hex 15/32-32 Un-2B	1
18	34-00848-10	Screw, Machined Roundhead #4-40 X 0.625	4
19	22-02341-01	Cap and Tether Receptacle Assembly	1
20	22-01604-00	Receptacle 4 Connections	1
21	MS510074	Gasket	1
22	66U1-5321-6	Washer, Plain 0.125 ID Type A	4
23	34-00667-05	Nut, Self Lock 4-40	4
OPTION 10 – WITH REMOTE MONITORING AND AMBER DEFROST LIGHT, INTERNAL			
12	68-14796-04	Plate, Switch ST, RM, EB, DL	1
13	62-10914-04	Switch Label, ST, RM, EMER, DEFROST	1
14	10-01129-20	Nut, Hex 15/32-32 Un-2B	1
15	22-00518-01	Base Pilot Light	1
16	22-00049-01	Lamp Incandescent, 24 VDC	1
17	22-00519-03	Jewel Assembly Pilot Light Amber	1
18	34-00848-10	Screw, Machined Roundhead #4-40 X 0.625	4
19	22-02341-01	Cap and Tether Receptacle Assembly	1
20	22-01604-00	Receptacle 4 Connections	1
21	MS510074	Gasket	1
22	66U1-5321-6	Washer, Plain 0.125 ID Type A	4
23	34-00667-05	Nut, Self Lock 4-40	4

2.13 CONTROL BOX – RMU RECEPTACLE AND SWITCH PANEL, EXTERNAL VIEW



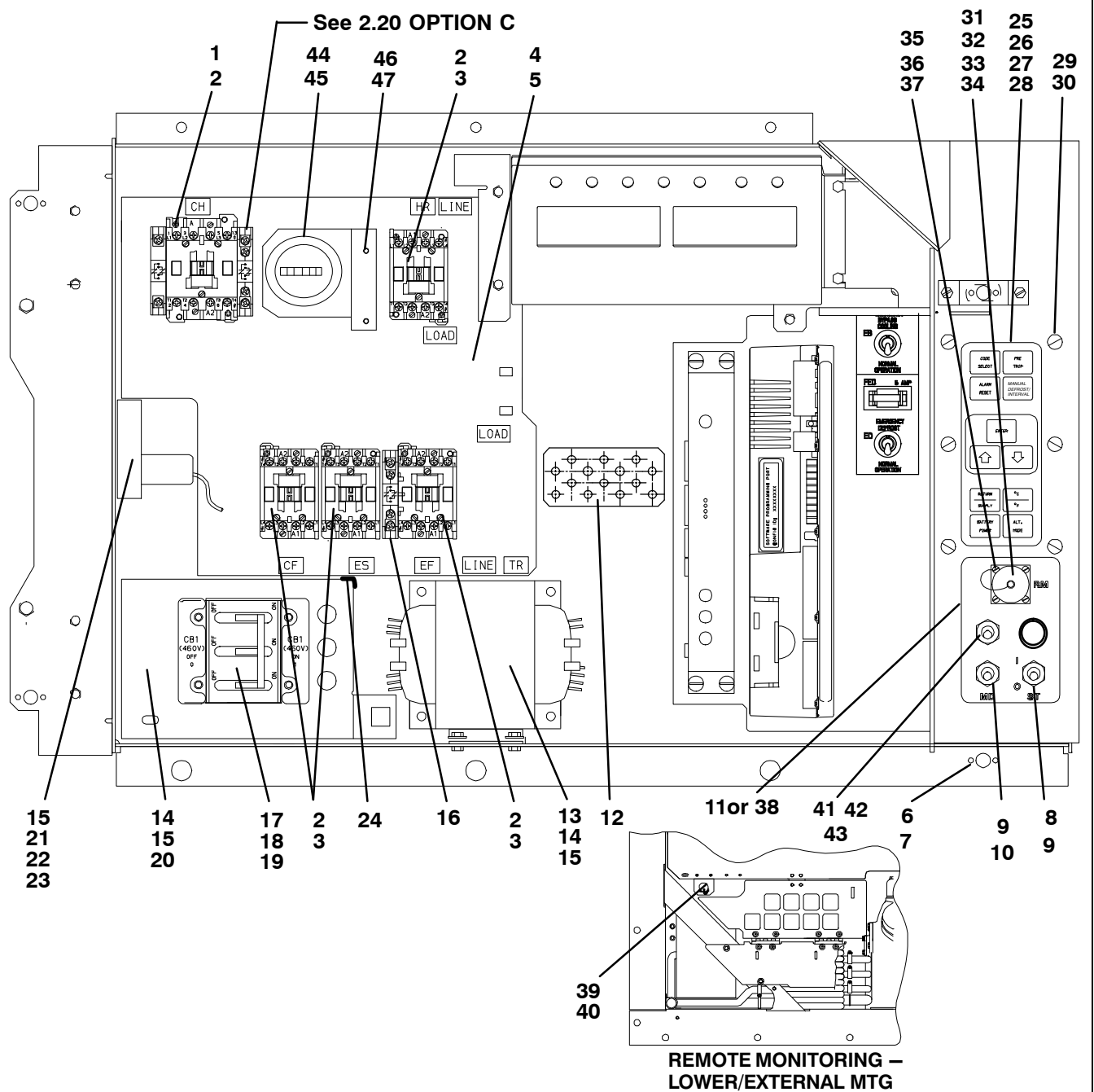
OPTION 11 – WITH REMOTE MONITORING, EXTERNAL

Item	Part Number	Description	Qty
2	58-04456-00	Plate, Backup Keypad, Comp Box (See NOTE)	1
3	12-00290-04	Key Pad, Core Micro (See NOTE)	1
4	42-00271-00	Gasket Keypad, 0.125 Thick (See NOTE)	1
6	34-06212-10	Washer, Plain #10 Type A	6
7	34-66630-00	Screw, Pinhead #10-9 X 0.75 Long (See NOTE)	6
8	34-66629-05	Screw, Machined Thread #10-24 X 0.750 Slotted (See NOTE)	4
9	44-00391-00	Clamp (See NOTE)	1
10	66U1-9752	Seal 0.427/0.432, Bushing (See NOTE)	2
11	42-00608-00	Gasket Switch Plate (See NOTE)	1
12	68-14796-00	Plate, Switch ST	1
13	62-10914-00	Switch Label, ST	1
19	22-02341-01	Cap and Tether Receptacle Assembly	1
24	69NT40-222	Bracket Assembly	1
25	34-00928-03	Rivet, Blind 0.125 Diameter 0.188-0.250	4
26	66U1-3882	Wire Tie, 1/16-1-3/4 Self-locking	4
27	22-02205-00	Connector Splice, Non-Insulated	1
28	66U1-5371-7	Screw, Machined Hex Head #10-24 X 0.500 Slotted	2
29	66U1-3882-3	Wire Tie, 1/16-4.0 Self-locking	2
30	58-04316-00	Base, Mounting 0.250 Diameter Mounting Hole	3

NOTE

See Section 2.12 for Items 2, 3, 4, 7, 8, 9

2.14 CONTROL BOX – SHIELDS REMOVED, STD ELECTRICAL COMPONENTS, RM, HOURMETER & CFS

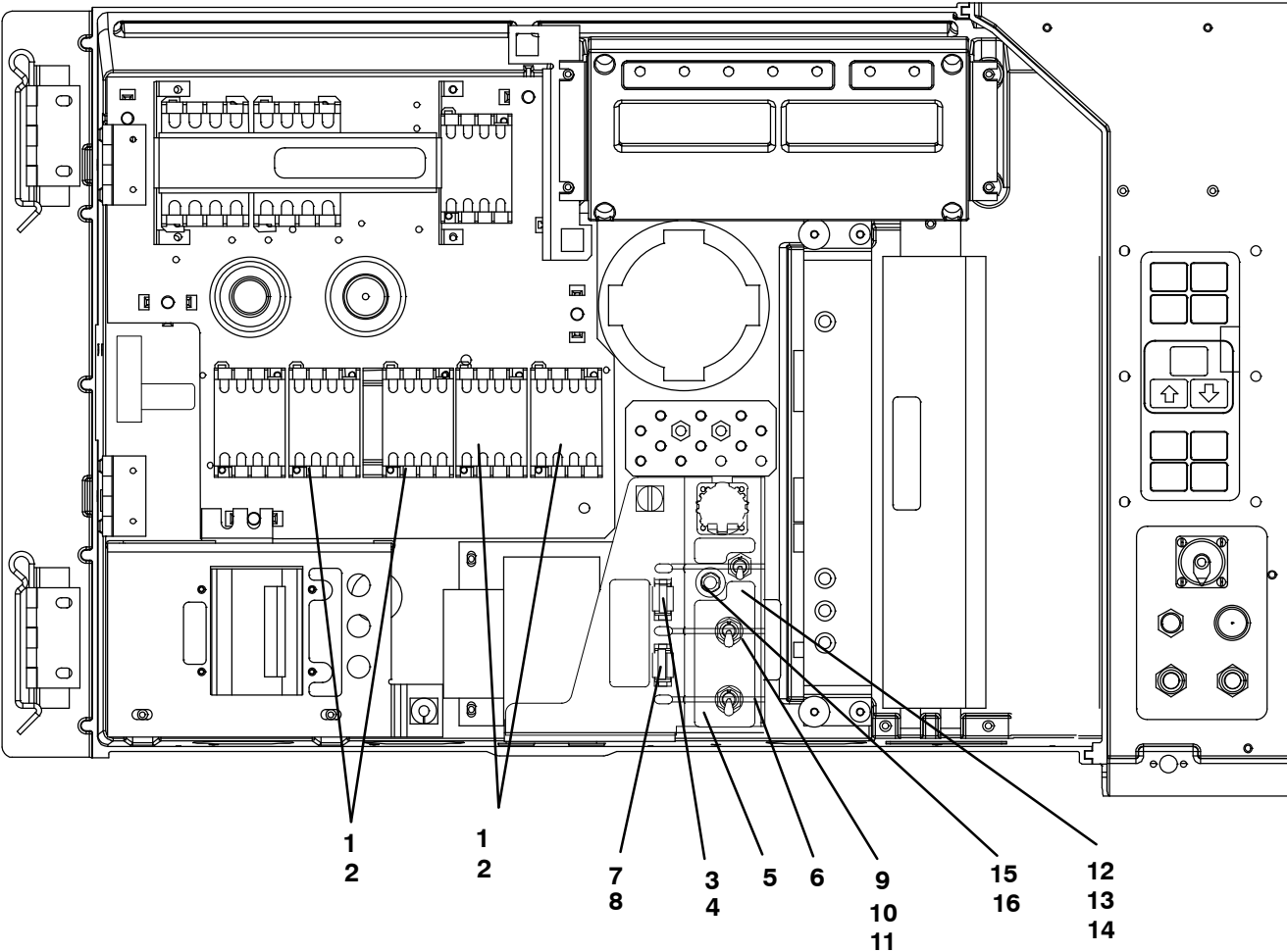


Item	Part Number	Description	Qty
1	10-00431-07	Contactors (CH) (30 Amp) NOTE: For 3-phase evaporator fan configurations, refer to Section 2.43	1
2	34-06243-00	Screw, Pan Head, (Thread Cutting) #8-32 x 3/4 lg. – SST	10
3	10-00431-06	Contactors, (CF), (HR) & (EF & ES) (12 Amp)	4
4	68-14891-00	Panel, Contactor	1
5	34-06224-01	Screw, Hex Head, 1/4-20 x 5/8 lg. – SST	4
6	34-00928-01	Rivet, Blind, 1/8 Diameter, Grip Range – 1/16 – 1/8	6
7	34-01142-01	Receptacle	1
8	10-01129-07 SV	Switch, Toggle (On-Off)	1
9	66U1-9752	Seal, Bushing	1
10	10-01129-10	Switch, Toggle (MDS) (if equipped)	1

2.14 CONTROL BOX – SHIELDS REMOVED, STANDARD ELECTRICAL COMPONENTS (Continued)

Item	Part Number	Description	Qty
11	58-04145-01	Plate, Switch	A/R
	68-14796-00	Plate, Switch (Start Only) NT-1200 and Up	A/R
	68-14796-02	Plate, Switch (Start and Defrost LED), NT-1200 and Up	A/R
	68-14796-05	Plate, Switch (Start and MDS), NT-1200 and Up	A/R
12	69NT41-982-3	Plate, Ground	1
13	10-00332-21SV	Transformer, Base Unit	1
14	66U1-5371-7	Screw, Hex Head, #10-24 x 1/2 lg. – SST	A/R
15	66U1-5321-8	Washer, Flat, #10 – SST	A/R
16	10-00431-02	Contact, Auxiliary	1
17	34-00663-07	Washer, Lock, #6 – SST	4
18	66U1-7842-13	Circuit Breaker – 460 vac, 25 Amp, (CB1)	1
19	66U1-6651-4	Screw, Pan Head, #6-32 x 3/8 lg. – SST	4
20	69NT35-6278	Bracket, Circuit Breaker	1
21	10-00439-02	Transformer, Current Sensing (CS)	1
22	66U1-5371-10	Screw, Hex Head, #10-24 x 1.00 lg. – SST	2
23	66U1-5321-8	Washer, Flat, #10 – SST	2
24	66CH1-1172-46	Trim, Flexible (85 Feet Long, Cut to Length)	A/R
25	79-01706-05SV	Pad, Key – Includes:	1
26	NSS	Gasket (Between Key Pad Plate Assembly and Connector)	1
27	NSS	Gasket (Between Key Pad and Key Pad Plate Assembly)	1
28	NSS	Plate Assembly, Key Pad Mounting	1
29	34-06227-00	Screw, Pan Head, #10-24 X 3/4 lg. – SST	6
30	34-06053-05	Washer, Mylar, 0.205 ID x 0.600 OD	6
REMOTE MONITORING (STANDARD LOCATION)			
31	22-02341-00	Receptacle, Remote Monitoring (RM)	1
32	22-02368-00	Plug, Remote Monitoring	1
33	22-02341-01	Cap and Tether, Receptacle Assembly	1
34	66U1-6835	Gasket, Remote Monitoring Receptacle	1
35	34-00848-10	Screw, Round Head, #4-40 x 5/8 lg. – SST	4
36	66U1-5321-6	Washer, Flat, 0.125 ID – SST	4
37	34-00667-05	Nut, Self Locking, #4-40 – SST	4
38	58-04145-00	Plate, Switch, with RM	A/R
	68-14796-03	Plate, Switch, with RM NT-1200 and up	A/R
	68-14796-06	Plate, Switch with RM and MDS, NT-1200 and Up	A/R
REMOTE MONITORING (LOWER LEFT/EXTERNAL LOCATION)			
39	22-01889-00	Receptacle, Remote Monitoring (RM)	1
40	69NT40-222	Bracket	1
OPTION F – CONDENSER FAN SWITCH			
41	10-00298-01	Switch, Toggle (CFS)	1
42	66U1-9752	Seal, Bushing	1
43	58-04145-06	Plate, Switch (with extra switch location)	1
HOURLY METER			
44	66U1-3823	Hourmeter	1
45	66U1-6651-15	Screw, Pan Head, #4-40 x 3/4 lg. – SST	3
46	68-12496-00	Bracket, Hourmeter	1
47	66U1-5381	Screw, Hex Head, #10-24 x 0.50 lg. – SST	2

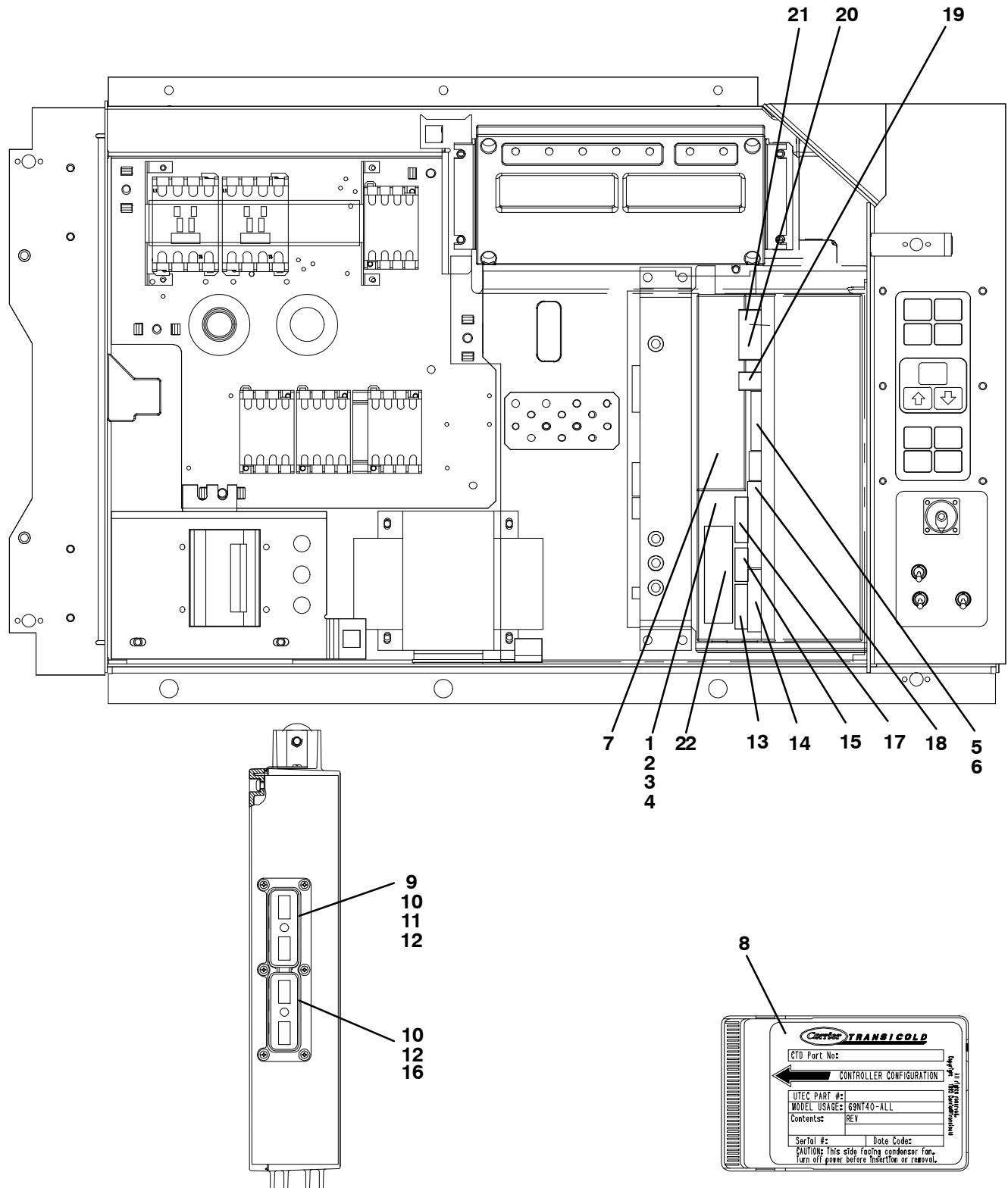
2.15 CONTROL BOX – SINGLE EVAPORATOR FAN CAPABILITY, EBS, ED



2.15 CONTROL BOX – SINGLE EVAPORATOR FAN CAPABILITY, EBS, ED (Continued)

Item	Part Number	Description	Qty
SINGLE EVAPORATOR FAN CAPABILITY			
1	34-06243-00	Screw, Pan Head, Thread Cutting #8-32 x 3/4 lg. – SST	8
2	10-00431-06	Contactora, (E2 & S2) & (E1 & S1) (12 Amp)	4
EMERGENCY BYPASS (EBS)			
3	22-02336-04	Fuse, 10 Amp (FEB)	2
4	22-01455-03	Fuse Holder	2
5	10-00446-00	Emergency Bypass Module	1
6	66U1-5371-10	Wire Tire	3
EMERGENCY DEFROST (ED)			
7	22-01455-02	Holder Assembly, Fuse	1
8	22-02336-02	Fuse, 5 Amp (FED)	1
9	68-14796-05	Plate, Switch (with light location, with RM)	A/R
10	10-01129-07	Switch, Toggle	2
11	68-12544-01	Bracket	1
12	34-06223-00	Screw, Captive Washer, #10-24 X 0.56 lg. – SST	2
13	10-01129-20	Hex Nut	2
14	66U1-9752	Seal, Bushing	2
15	62-02874-01	Label, EB and ED	1
16	22-00518-01	Base, Pilot Light	1

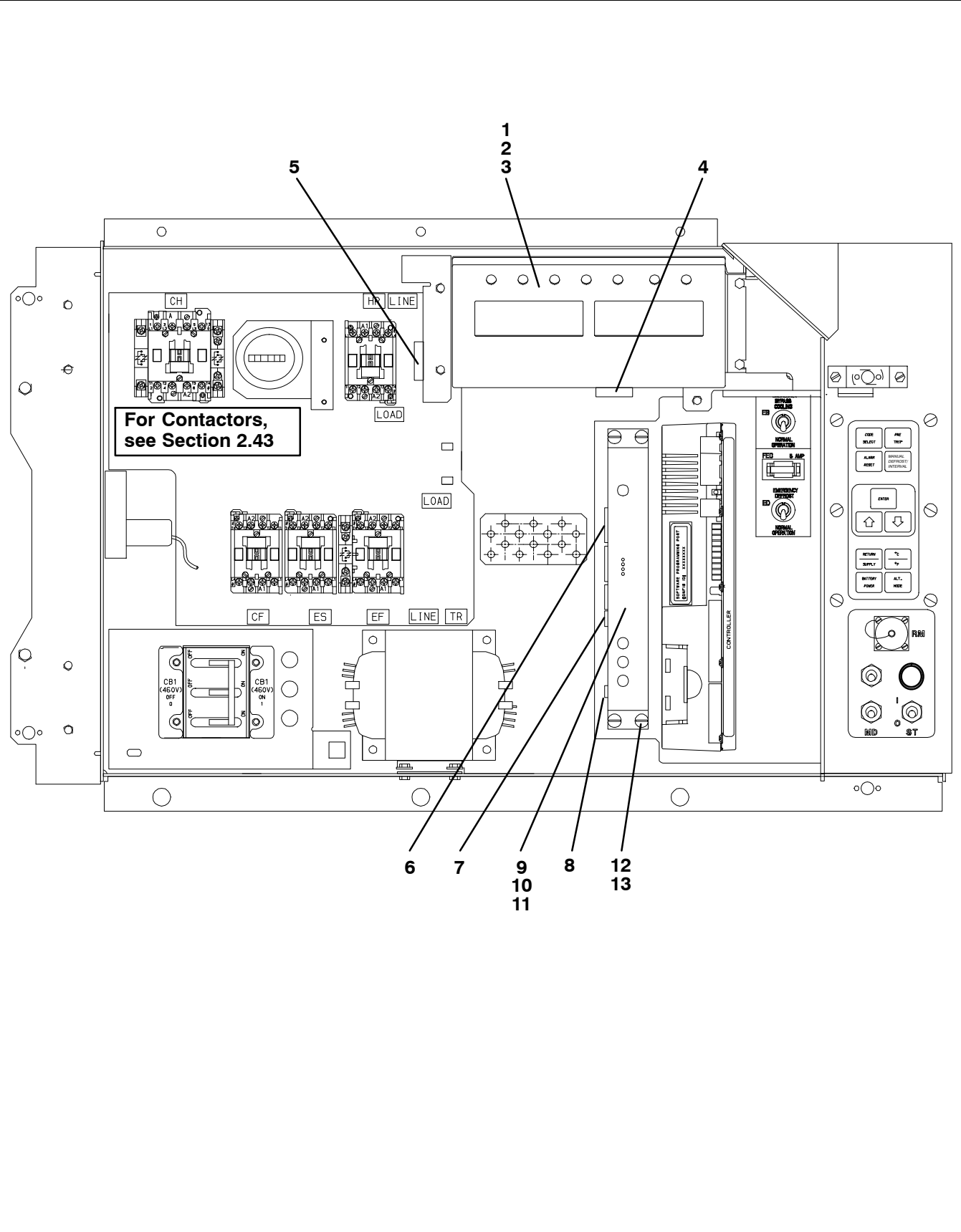
2.16 CONTROL BOX – CONTROLLER MODULE SECTION AND SOFTWARE CARDS



View – Back of Controller/DataCORDER

2.16 CONTROL BOX – CONTROLLER MODULE SECTION AND SOFTWARE CARDS (Continued)			
Item	Part Number	Description	Qty
1	-	Module, Controller/DataCORDER – Refer to Section 5 – Includes:	-
2	66U1-5371-7	Screw, Hex Head, #10-24 x 1/2 lg. – SST	1
3	69NT35-2692	Washer, Fender, 0.063 Thick – SST	1
4	58-01184-00	Retainer, Screw, 0.141 ID	1
5	22-02336-08	Fuse, 7.5 Amp (F3A & F3B)	2
6	22-02336-02	Fuse, 5 Amp (F1 & F2)	2
7	62-02719-00	Label, Controller/DataCORDER Port	1
8	12-00594-xx/5315	Card, Controller/DataCORDER Operation Software	1
9	22-01777-00SV	Connector (EC A-K) – 30 Pin	1
10	22-01777-03	Socket, 20 AWG	35
11	22-50100-00	Socket, 18 AWG	4
12	22-01777-04	Plug, Sealing	21
13	22-4031-01	Connector (KE) – 5 Pin	1
14	22-01556-01	Connector (KB) – 10 Pin	1
NS	22-01621-23	Connector (KP) – 9 Pin (Connects to Ribbon Cable)	1
15	22-4031-00	Connector (KD) – 4 Pin	1
16	22-01777-01SV	Connector (EC L-Y) – 30 Pin	1
17	22-4031-02	Connector (KC) – 6 Pin	1
18	22-01556-02	Connector (KA) – 14 Pin	1
19	22-01622-00	Connector (MC) – 8 Pin	1
20	22-01622-02	Connector (MB) – 16 Pin	1
21	22-01622-01	Connector (MA) – 12 Pin	1
NS	09-00375-00	Battery, Real Time Clock, (Within the Controller)	1
NS	22-50157-00	Wire Harness, Controller to Current Sensing Transformer)	1
NS	22-01713-06	Wire Harness, Display Module to Controller/DataCORDER Module	1
NS	62-02735-00	Label, Warning, Don't use 12-00327 ! – (Located on the control box behind the Controller/DataCORDER module.)	1
NS	62-02738-08	Label, Warning, 51xx Series – (Located on the high & low voltage shields)	1
NS	62-02738-05	Label, Warning, 51xx Series – (Located on the bottom panel of the control box between the Communications Interface module and the switch panel.)	1
OPTION R – RECHARGEABLE BATTERY PACK			
22	30-00407-02SV	Battery Pack – Controller/DataCORDER Module	1
OPTION S – SECURE RECHARGEABLE BATTERY PACK			
NOTE	76-50149-00	Rechargeable Battery Pack with Connector-Controller/DataCORDER Module	A/R
NOTE			
Refer to technical manual for battery location.			

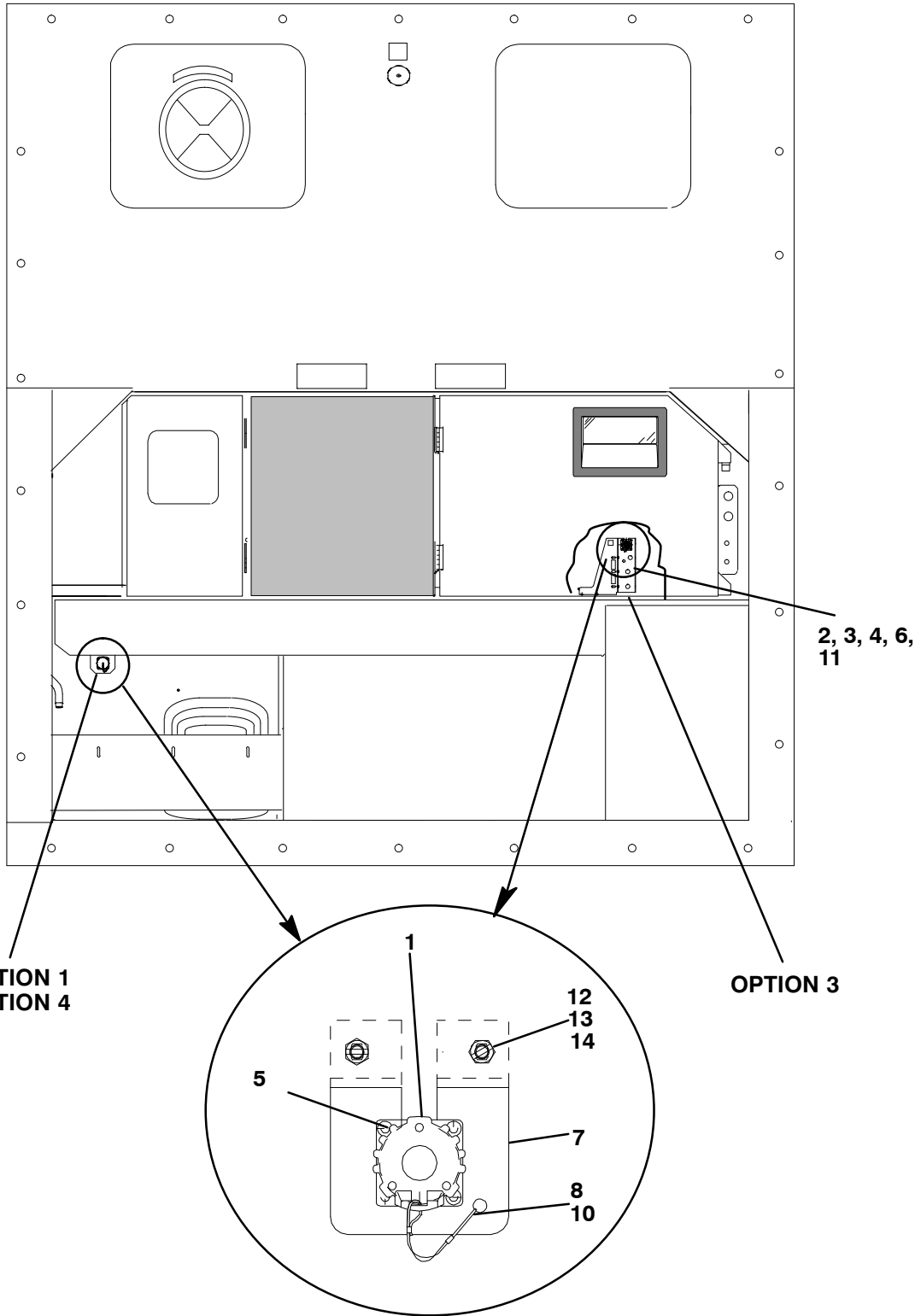
2.17 CONTROL BOX – DISPLAY MODULE AND COMMUNICATIONS INTERFACE MODULE



2.17 CONTROL BOX – DISPLAY MODULE AND COMMUNICATIONS INTERFACE MODULE (Continued)

Item	Part Number	Description	Qty
1	12-00433-00RP	Module, LCD Display (Option 1)	1
	12-00433-02 RP	Module, LED Display (Option 2)	1
2	66U1-5371-7	Screw, Hex Head, #10-24 x 1/2 lg. – SST	4
3	69NT35-2692-4	Washer, Fender, 0.063 Thick – SST	4
4	22-01621-02	Connector (MB) – 16 Pin	1
5	22-01621-03	Connector (MK) – 9 Pin	1
6	22-02396-03	Connector (CIC) – 7 Pin	1
7	22-02396-02	Connector (CIB) – 3 Pin	1
8	22-01556-00	Connector (CIA) – 7 Pin	1
NS	22-01713-02	Wire Harness, Key Pad to Display Module	1
OPTION 2 – COMMUNICATIONS INTERFACE MODULE – HIGH DATA RATE			
9	12-00573-03SV	Module, Communications Interface – Includes:	1
10	66U1-3442-2	Stud, Fastener, 1/4 turn, 0.705 lg. – SST	4
11	66U1-9212-1	Retainer, Push-on	4
12	34-06223-00	Screw, Captive Washer #10-24 x 0.56 – SST	4
13	58-01184-00	Retainer, Screw 0.75 OD	4
OPTION 4 – COMMUNICATIONS INTERFACE MODULE – LOW DATA RATE			
9	12-00275-19SV	Module, Communications Interface – Includes:	1
10	66U1-3442-2	Stud, Fastener, 1/4 turn, 0.705 lg. – SST	4
11	66U1-9212-1	Retainer, Push-on	4
12	34-06223-00	Screw, Captive Washer #10-24 x 0.56 – SST	4
13	58-01184-00	Retainer, Screw 0.75 OD	4

2.18 INTERROGATOR RECEPTACLE

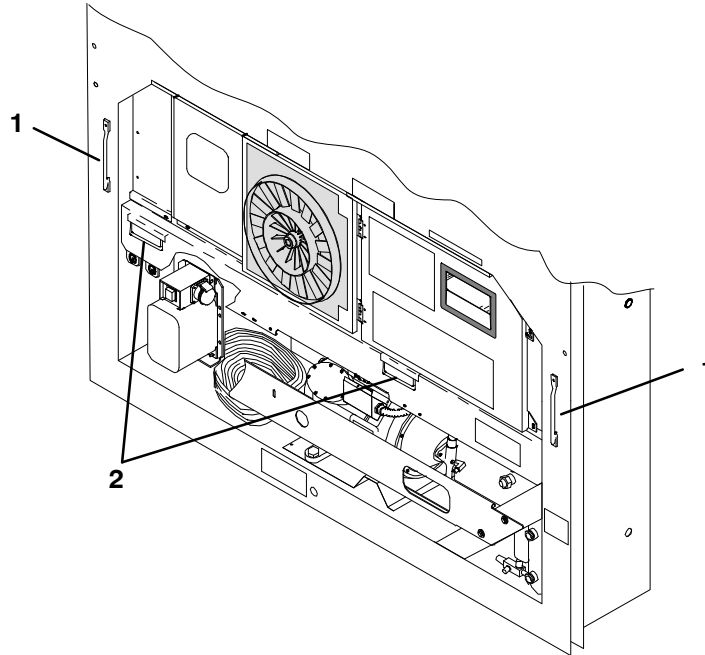


2.18 INTERROGATOR RECEPTACLE (Continued)			
Item	Part Number	Description	Qty
OPTION 1 – INTERROGATOR – LEFT MOUNT			
–		Control Box Mount Interrogator Receptacle – Includes:	
1	22-02413-00	Cap, Dust	1
2	66U1-3882	Wire Tie, 1/16-1 3/4 Self-Locking	2
3	66U1-3882-3	Wire Tie, 1/16- 4.0 Self-Locking	1
4	58-04316-00	Base, Mounting 0.250 Diameter Mounting Hole	3
5	34-06142-00	Rivet, 0.110 Diameter, 0.126 – 0.250	5
6	22-02412-01	Receptacle, 1/4 Inch Retaining	1
7	68-86059-00	Bracket, 0.125 Thick Aluminum	1
STANDARD PARTS INCLUDED IN OPTION 3 – INTERROGATOR – CONTROL BOX MOUNT			
–		Control Box Mount Interrogator Receptacle – Includes:	
2	66U1-3882	Wire Tie, 1/16-1 3/4 Self-Locking	2
3	66U1-3882-3	Wire Tie, 1/16- 4.0 Self-Locking	1
4	58-04316-00	Base, Mounting 0.250 Diameter Mounting Hole	3
5	34-06142-00	Rivet, 0.110 Diameter, 0.126 – 0.250	4
6	22-01660-03	Receptacle (5 Pin)	1
OPTIONAL PARTS FOR OPTION 3 – INTERROGATOR – BOX MOUNT			
–		Control Box Mount Interrogator Receptacle	
1	22-01660-05	Cap, Dust, 5-Pin	1
6	34-06139-04	Receptacle, 1/4 Inch Retaining	1
7	68-14482-00	Bracket, 0.090 Thick Aluminum	1
8	22-02205-00	Connector, Splice, Non-Insulated	2
10	58-01097-00	Cord, Nylon, 0.085 OD	2
9	22-01660-03	Connector, 5-Pin	1
–		Control Box Mount Interrogator Receptacle	
1	22-01660-05	Cap, Dust, 5-Pin	1
7	68-14482-00	Bracket, 0.090 Thick Aluminum	1
10	58-01097-00	Cord, Nylon, 0.085 OD	2
–		Control Box Mount Interrogator Receptacle	
7	68-12434-02	Bracket, 0.125 Thick Aluminum	1
11	42-00174-57	Gasket, 0.50 Thick X 4 Inches X 2.62 Inches	1
–		Control Box Mount Interrogator Receptacle	
6	34-06139-03	Receptacle, 1/4 Inch Retaining	1
7	68-12434-02	Bracket, 0.125 Thick Aluminum	1
11	42-00174-57	Gasket, 0.50 Thick X 4 Inches X 2.62 Inches	1

2.18 INTERROGATOR RECEPTACLE (Continued)

Item	Part Number	Description	Qty
OPTION 4 - INTERROGATOR - LEFT MOUNT			
-		Left Mount Interrogator Receptacle - Includes:	
1	22-01660-05	Cap, Dust, 5-Pin	1
2	66U1-3882	Wire Tie, 1/16-1 3/4 Self-Locking	4
3	66U1-3882-3	Wire Tie, 1/16- 4.0 Self-Locking	2
4	58-04316-00	Base, Mounting 0.250 Diameter Mounting Hole	3
5	34-06142-00	Rivet, 0.110 Diameter, 0.126-0.250	4
7	69NT41-192-1	Bracket Assembly, Orange	1
	69NT41-192	Bracket Assembly, White	1
8	22-02205-00	Connector, Splice, Non-Insulated	2
12	66U1-5321-8	Washer, Plain, #10 Type A	2
13	66U1-5371-7	Screw, Machine, Hex Head, #10-24 X 0.500 Slotted	2
14	34-06053-05	Washer, 0.205 ID X 0.600 OD	2
OPTIONAL PARTS FOR OPTION 4 - INTERROGATOR - LEFT MOUNT			
7	68-14482-00	Bracket, 0.090 Thick Aluminum	1
6	34-06139-04	Receptacle, 1/4 Inch Retaining	1
15	69NT35-9952	Angle, 0.080 Thick Aluminum, Painter	1

2.19 HANDLES

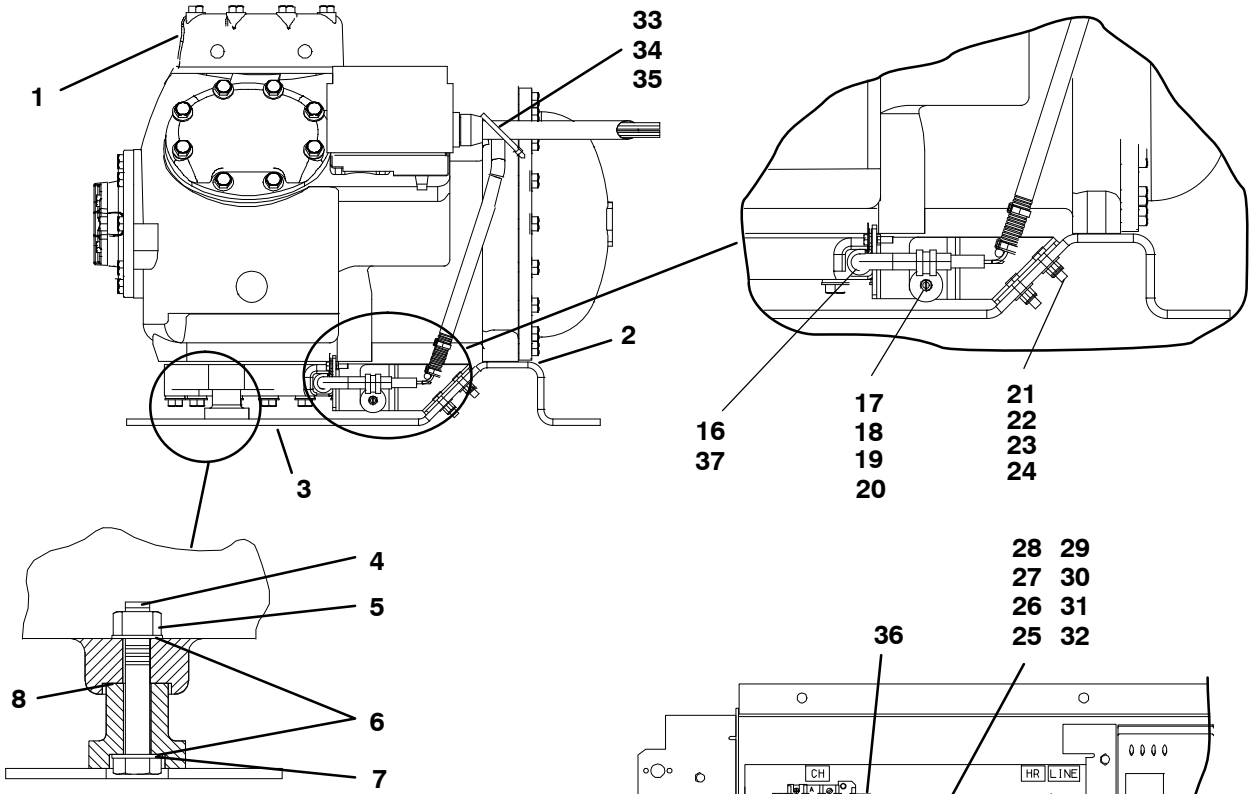


69NT-42-324

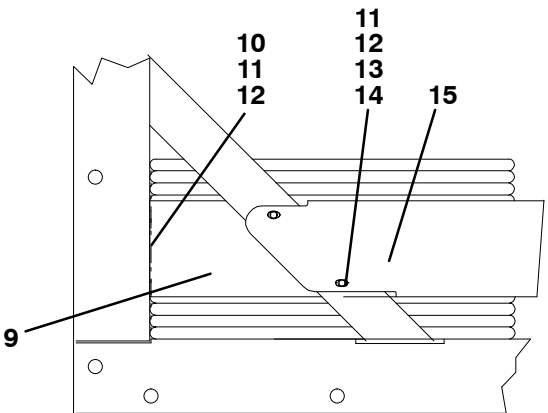
Item	Part Number	Description	Qty
OPTION 1 - TWO SIDE, ONE CENTER			
1	69NT35-8113	Handle, Fixed	2
2	69NT40-657-2	Handle, Hinged	1
OPTION 2 - TWO SIDE			
1	69NT35-8113	Handle, Fixed	2
OPTION 3 - ONE CENTER			
2	69NT40-657-2	Handle, Hinged	1
OPTION 4 - ONE RIGHT SIDE AND TWO CENTER			
1	69NT35-8113	Handle, Fixed	1
2	69NT40-657-2	Handle, Hinged	2

69NT42-324

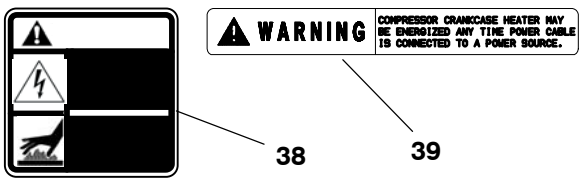
2.20 COMPRESSOR MOUNTING, GUARD, CRANKCASE HEATER COMPONENTS



Compressor Foot – Section View



Guards – Bottom Left Corner of Unit



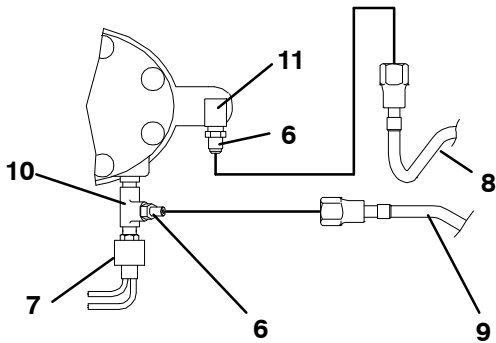
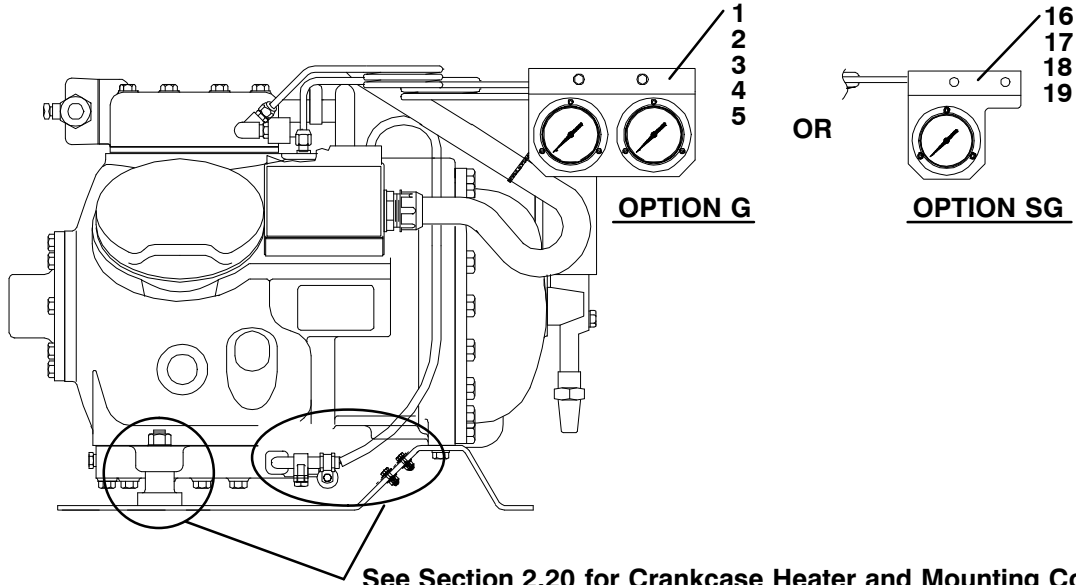
OPTION C – Compressor Crankcase Heater

Item	Part Number	Description	Qty
1	-	Compressor – Refer to Section 4	-
2	69NT35-6132	Protector (Compressor to Compressor Base)	1

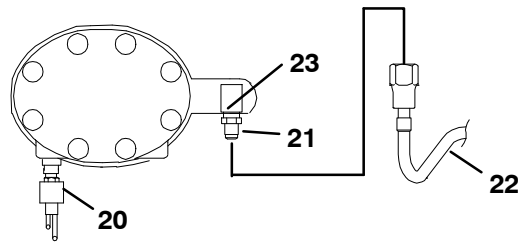
2.20 COMPRESSOR MOUNTING, GUARD, CRANKCASE HEATER COMPONENTS (Continued)

Item	Part Number	Description	Qty
3	69NT43-469	Base, Compressor	1
NS	66U1-5361-7	Bolt, Hex Head, 3/8-16 x 1.00 lg. - SST	7
NS	66U1-5321-5	Washer, Flat, 3/8 - SST	7
NS	AU11JR241	Washer, Lock, 3/8 - SST	7
NS	34-06053-02	Washer, Mylar, 0.375 ID x 1.00 OD	7
4	34-00849-22	Capscrew, 7/16-14 x 2-3/4 lg. - SST	2
5	34-00667-14	Locknut, 7/16-14 - SST	2
6	66U1-5321-8	Washer, Flat, 7/16 - SST	4
7	34-06053-07	Washer, Mylar, 0.438 ID x 0.922 OD	2
8	34-06053-01	Washer, Mylar, 0.438 ID x 1.125 OD	2
9	68-12993-00	Panel, Guard	1
	68-12523-00	Panel, Guard - Large	1
10	66U1-5361-25	Screw, Hex Head, 1/4-20 x 3/4 lg. - SST	1
11	66U1-5321-7	Washer, Flat, 1/4 - SST	9
12	34-06053-00	Washer, Mylar, 1/4 ID x 3/4 OD	9
13	66U1-5361-11	Capscrew, Hex Head, 1/4-20 x 1-1/2 lg. - SST	4
14	34-00667-11	Locknut, 1/4-20 - SST	4
15	68-12432-00	Guard, Compressor, 0.125 Thick Alum. (Blue)	1
	68-12432-01	Guard, Compressor, 0.090 Thick Alum. (Blue)	1
	68-12432-02	Guard, Compressor, 0.090 Thick Alum. (White)	1
	68-12432-03	Guard, Compressor, 0.125 Thick Alum., For Right Extended Guard (Blue)	1
OPTION C - CRANKCASE HEATER			
-	76-00766-00	Crankcase Heater Installation Kit - Includes:	1
16	24-02019-02	Heater, Compressor Crankcase (CCH) NSS	1
17	44-00370-03	Clamp, Tube, Cushioned, 1/2 Diameter - SST	1
18	34-06053-03	Washer, Mylar, 1/4 ID x 1.0 OD	1
19	66U1-5371-6	Screw, Machine Hex Head, #10-24 x 0.75 lg. - SST	1
20	69NT-35-8284	Bracket, Heater Mounting	1
21	34-00655-08	Screw, Hex Head, 1/4-20 x 1.00 lg - SST	2
22	34-06053-00	Washer, Mylar, 0.25 ID x 0.75 OD	4
23	34-00662-11	Washer, Flat, 1/4 x 0.05 Thick.	4
24	34-00667-11	Locknut, 1/4-20	2
25	22-04044-00	Fuse Block	1
26	22-04044-01	Fuse Holder	2
27	22-04043-00	Fuse	2
28	34-01178-22	Screw, #8-32 x 0.5 long	2
29	66U1-5321-2	Washer, #8	2
30	66U1-5321-8	Washer, Flat #10	4
31	68-14852-00	Bracket, Fuse Holder Mounting	1
32	66U1-5381-1	Screw, Hex Head #10-24 x 0.75 long	4
33	58-04321-01	Tube, Split (3/8 x 72 long)	1
34	66U1-3882	Wire Tie	10
35	22-02302-02	Connector	1
36	10-00431-02	Contact, Aux.	1
37	02-00086-00	Thermo Grease	1
38	62-10921-00	Label	1
39	69NT35-8218-01	Label	1

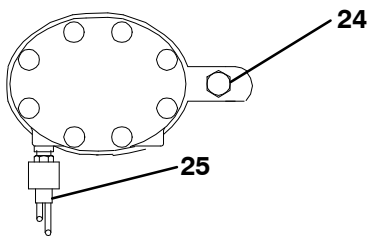
2.21 COMPRESSOR GAUGES AND TRANSDUCERS



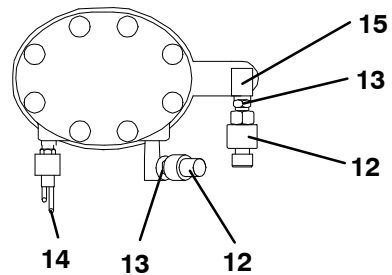
OPTION G – Center Cylinder Head View with Both gauges



OPTION SG – Center Cylinder Head View with Suction Gauge Only



OPTION – Center Cylinder Head View without Gauges

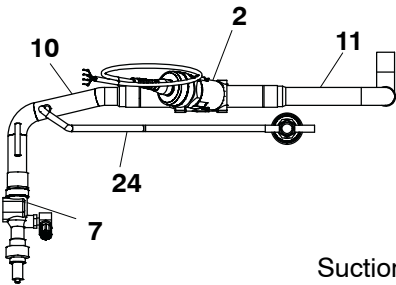
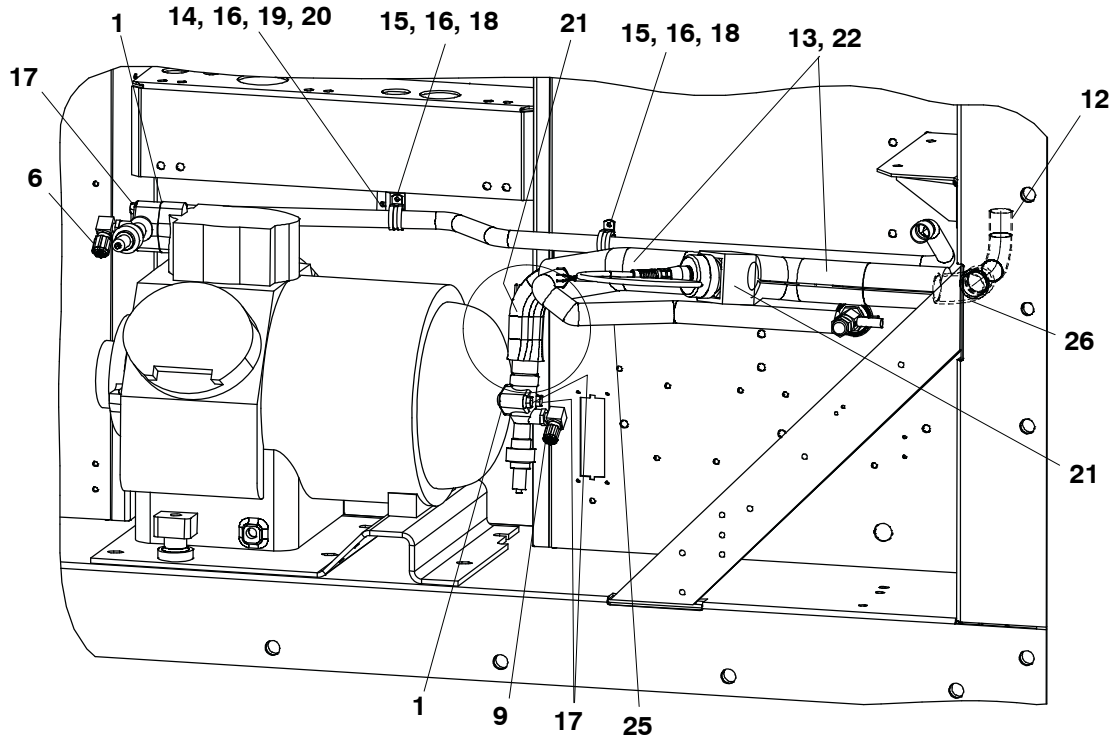


OPTION T – Center Cylinder Head View with Pressure Transducers

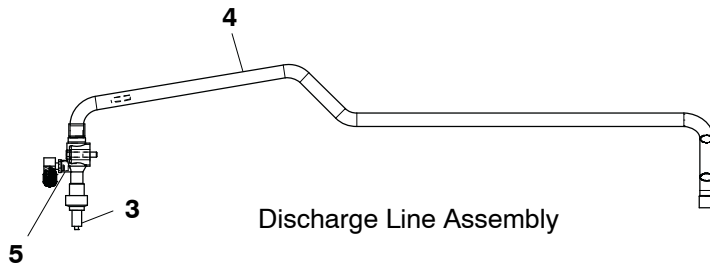
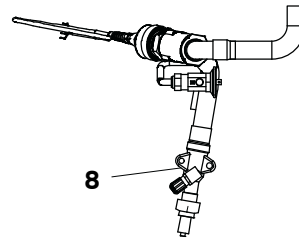
2.21 COMPRESSOR GAUGES AND TRANSDUCERS (Continued)

Item	Part Number	Description	Qty
OPTION G – PRESSURE GAUGES			
1	69NT41-106-2	Stiffener Assembly	1
NS	66U1-5321-8	Washer, Flat, #10 – SST	2
NS	66U1-5371-6	Screw, Hex Head, #10-24 x 3/4 lg. – SST	2
NS	34-06053-05	Washer, Mylar, 0.205 ID x 0.600 OD	2
2	68-13472-03SV	Bracket Assembly, Gauge	1
3	12-01124-02	Gauge, Suction Pressure	1
4	12-01125-02	Gauge, Discharge Pressure	1
5	66U1-6651-19	Screw, Pan Head, #6-32 x 7/16 lg. – SST	6
6	06DA403-844	Valve Assembly, Core, Check (Schrader Valve) – Brass	2
7	12-00309-06	Switch, High Pressure (HPS)	1
NS	22-02392-00SV	Connector, Female, 2 Pin Used w/12-00309-03 (Includes terminals & cable seal)	1
8	69NT41-553	Tube Assembly, Low Pressure	1
9	69NT41-543	Tube Assembly, High Pressure	1
10	CA21JA051	Tee, 1/4 NPT	1
11	40-00060-02	Elbow, 90 Street, 1/4 FPT x 1/4 MPT – Brass	1
OPTION T – PRESSURE TRANSDUCERS			
12	12-00352-00	Transducer, Pressure	2
13	06DA403-844	Valve Assembly, Core, Check (Schrader Valve) – Brass	2
14	12-00309-06	Switch, High Pressure (HPS)	1
NS	22-02392-00SV	Connector, Female, 2 Pin Used w/12-00309-03 (Includes terminals & cable seal)	1
15	40-00060-02	Elbow, 90 Street, 1/4 FPT x 1/4 MPT – Brass	1
OPTION SG – SUCTION PRESSURE GAUGE ONLY			
16	69NT41-106-2	Stiffener Assembly	1
NS	66U1-5321-8	Washer, Flat, #10 – SST	2
NS	66U1-5371-6	Screw, Hex Head, #10-24 x 3/4 lg. – SST	2
NS	34-06053-05	Washer, Mylar, 0.205 ID x 0.600 OD	2
17	68-13472-01	Bracket Assembly, Gauge	1
18	12-01124-01	Gauge, Suction Pressure	1
19	66U1-6651-19	Screw, Pan Head, #6-32 x 7/16 lg. – SST	3
20	12-00309-06	Switch, High Pressure (HPS)	1
NS	22-02392-00SV	Connector, Female, 2 Pin Used w/12-00309-03 (Includes terminals & cable seal)	1
21	06DA403-844	Valve Assembly, Core, Check (Schrader Valve) – Brass	2
22	69NT41-553	Tube Assembly, Low Pressure	1
23	40-00060-02	Elbow, 90 Street, 1/4 FPT x 1/4 MPT – Brass	1
OPTION – NO GAUGES			
24	40-00123-02	Plug, Pipe, 1/4-18 NPTF – Brass	1
25	12-00309-06	Switch, High Pressure (HPS)	1
NS	22-02392-00SV	Connector, Female, 2 Pin Used w/12-00309-03 (Includes terminals & cable seal)	1

2.22 COMPRESSOR TUBING SECTION Without DPRV



Suction Line Assembly



Discharge Line Assembly

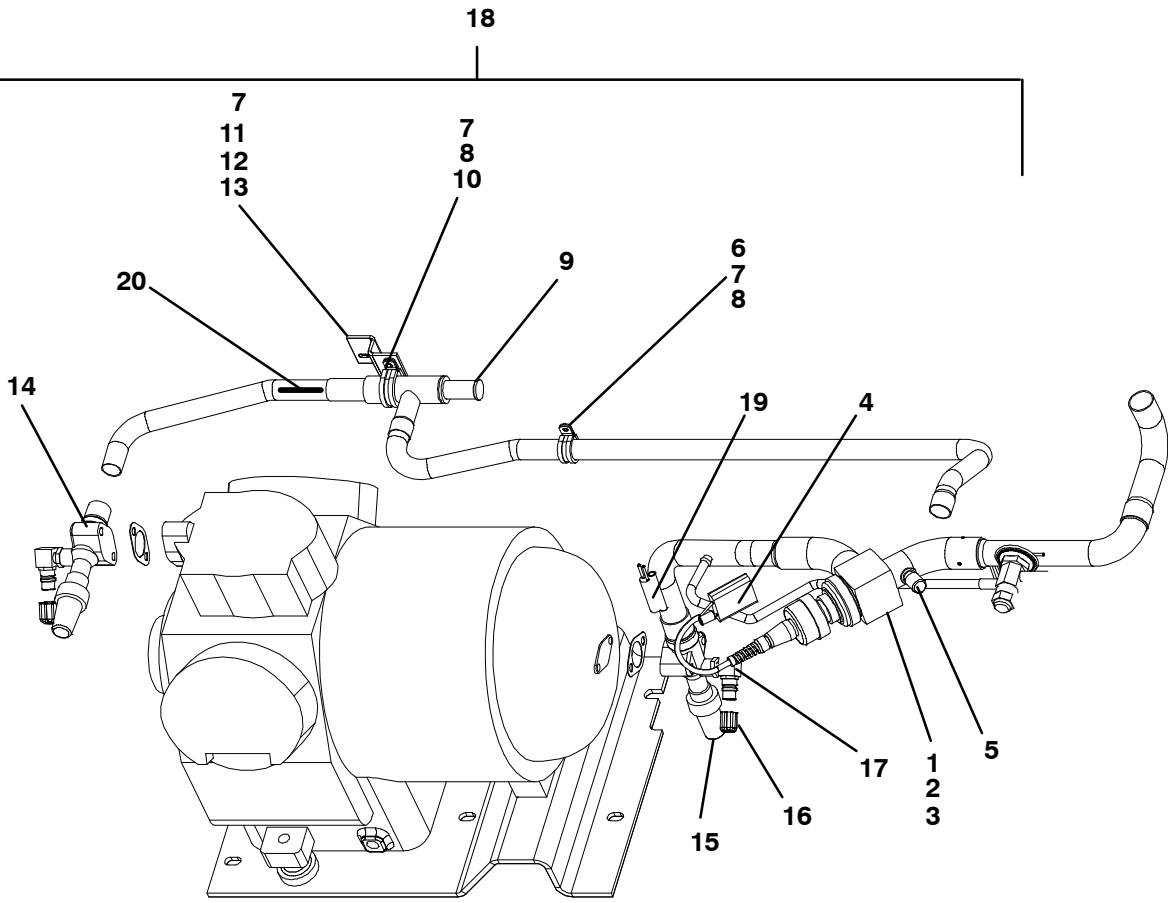
77-01408

2.22 COMPRESSOR TUBING SECTION Without DPRV (Continued)

Item	Part Number	Description	Qty
1	42-01084-00	Gasket Valve	2
2	14-00353-04	Valve, SMV	1
	14-00353-20	Piston Motor Assembly	1
	14-00353-21	Gasket Valve	
	81-04124-00	Tube Assembly Includes:	1
3	14-00206-01	Valve, Service Discharge	1
4	56-08787-00	Tube, Discharge	1
5	40-00542-01	Elbow Adapter	1
6	40-00520-03	Cap	1
7	14-00206-00	Valve, Service, Suction	1
8	40-00542-00	Elbow Adapter	1
9	40-00520-02	Cap	1
10	56-66743-00	Tube, Suction	1
11	56-07455-00	Tube, Suction	1
12	56-07323-00	Tube, Suction	1
13	42-00425-116	Insulation, Tube	2
14	69NT-20-112-2	Bracket	1
15	66U1-3632-20	Clamp, Tube	2
16	66U1-5371-6	Screw, Machine Hex Head #10-24 X 0.750	3
17	66U1-5361-46	Screw, Cap Hex Head 5/16-18 X 1.88	4
18	34-06053-03	Washer	2
19	66U1-5321-8	Washer, Plain	1
20	34-06053-05	Washer	1
21	42-00032-11	Insulation	8
22	66U1-3882-3	Wire Tie	6
23	66U1-3882	Wire Tie	6
24	56-07435-00	Tube	1
25	42-00425-20	Insulation, Tube	1
26	42-00032-12	Insulation	2

77-01408-00,01

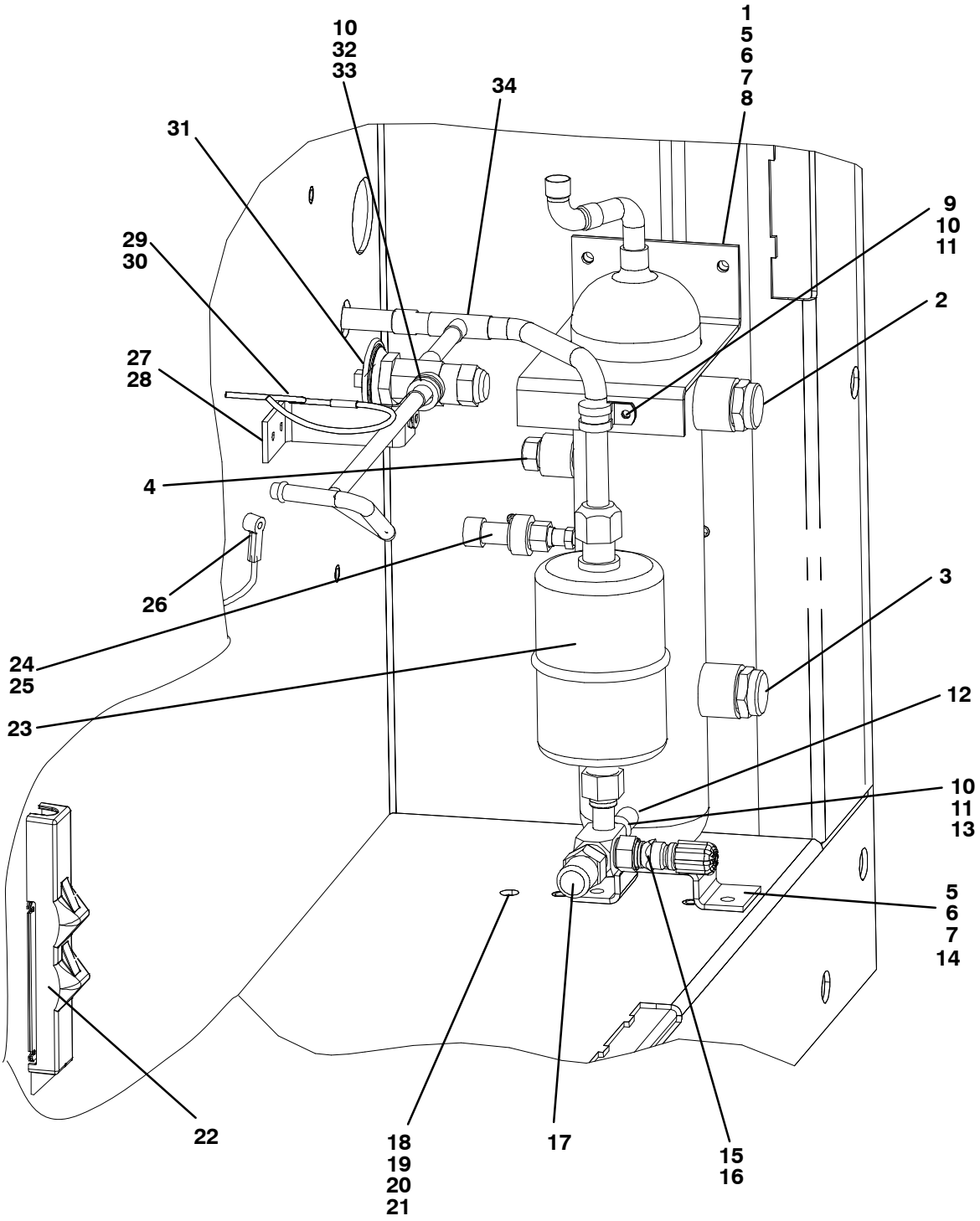
2.23 COMPRESSOR TUBING SECTION With DPRV



2.23 COMPRESSOR TUBING SECTION With DPRV (Continued)

Item	Part Number	Description	Qty
1	14-00263-00	Valve, Stepper Motor – Includes:	1
2	14-00263-23	O-Ring	1
3	14-00263-20	Piston and Motor Assembly – Includes:	1
4	22-02392-03	Connector (To Power Pack)	1
NS	22-02393-01	Pin, 18–20 Gauge (Used on 22-02392-03)	4
NS	22-02394-03	Seal (Used on 22-02392-03)	4
5	14-00263-22	Cap	1
6	34-00373-11	Clamp, Cushion, 0.88 Diameter	1
7	66U1-5381-1	Screw, Hex Head, #10–24 x 0.75 lg. – SST	4
8	34-06053-00	Washer, Mylar, 0.25 ID x 0.80 OD	3
9	14-00204-02	Valve, Discharge Pressure Regulator (DPRV)	1
10	66U1-3632-24	Clamp, Cushion, 1.18 Diameter	1
11	69NT41-702	Bracket Assembly	1
12	66U1-5321-8	Washer, Flat, #10 – SST	3
13	34-06053-05	Washer, Mylar, 0.205 ID x 0.60 OD	3
14	–	Valve, Service (Discharge) – See Section 4.3	1
15	–	Valve, Service (Suction) – See Section 4.3	1
16	40-00520-02	Cap, M8 x 1.0 – Nylon	1
17	40-00542-00	Elbow, Adapter (R134a)	1
18	81-01472-00	Tubing Assembly	1
NS	22-01566-01	Socket (Used on 22-01585-04)	4
NS	22-02393-00	Pin (Used on 22-01830-00)	4
NS	22-02394-02	Seal (Used on 22-01835-00, 22-01585-04 and 22-01830-00)	A/R
NS	22-01835-00	Connector (On Harness to Drive)	1
NS	22-01566-00	Pin (Used on 22-01835-00)	5
REFRIGERANT TEMPERATURE SENSORS			
19	12-01104-05	Sensor, Thermistor (CPSS)	1
20	12-01105-02	Sensor, Thermistor (CPDS)	1

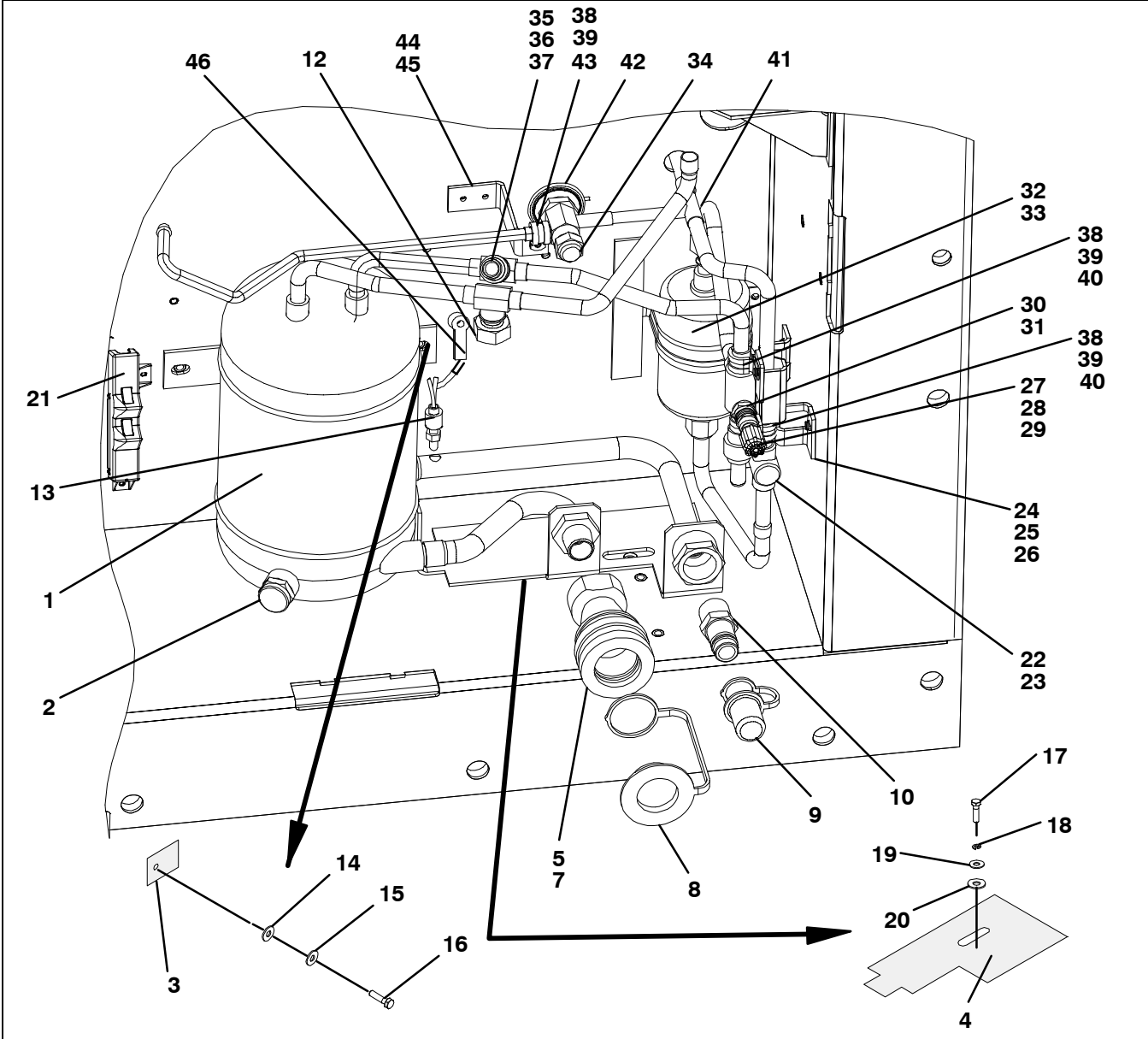
2.24 RECEIVER SECTION



2.24 RECEIVER SECTION (Continued)

Item	Part Number	Description	Qty
1	65-00185-03	Receiver, Electro-Coated Modular, Copper – Includes:	1
2	14-00220-04	Glass, Sight, w/Red Balls, 1/2-14 NPT	1
3	14-00221-03	Indicator, Moisture-Liquid	1
4	14-01032-14	Plug, Fusible, 3/8 NPT – Brass	1
	14-00215-06	Disc, Rupture, 3/8 NPT – Alternate	1
5	66U1-5361-25	Screw, Hex Head, 1/4-20 x 3/4 lg. – SST	A/R
6	66U1-5321-7	Washer, Flat, 1/4 – SST	3
7	34-06053-00	Washer, Mylar, 0.250 ID x 0.800 OD	4
8	68-86030-00	Protector, Mylar	1
NS	22-02448-00SV	Connector, Female (Located on wire harness)	1
9	34-00373-05	Clamp, Cushion, 1/2 Diameter	1
10	66U1-5371-6	Screw, Machine, Hex Head, #10-24 x 0.75 lg. – SST	3
11	34-06053-05	Washer, Mylar, 0.205 ID x 0.60 OD	4
12	14-00222-01	Valve, Service, Liquid Line	1
13	34-00373-07	Clamp, Cushion, 5/8 Diameter	1
14	68-86030-00	Bracket, Liquid Line Valve	1
15	40-00520-01	Coupling, M15 – Brass – Includes:	1
16	40-00520-03	Cap, Service Port	1
17	40-00501-50	Cap, Service Valve	1
18	66U1-5361-7	Bolt, Hex Head, 3/8-16 x 1.00 lg. – SST	1
19	AU11JR241	Washer, Lock, 3/8 – SST	1
20	66U1-5321-5	Washer, Flat, 3/8 – SST	1
21	34-06053-02	Washer, Mylar, 0.375 ID x 1.00 OD	1
22	-	See Section 2.26 for Sensor Assembly and Related Parts	-
23	14-00341-02SV	Filter-Drier with O-Rings	1
24	12-00352-00	Transducer, Condenser Pressure (CPT)	1
25	EC39DM062	Valve, Schrader	1
26	12-00495-02SV	Sensor, Ambient Thermistor (AMBS)	1
27	69NT43-420	Bracket Assembly, Quench Valve	1
28	34-00928-09	Rivet, Blind, 5/32 Diameter, Grip Range – 1/8-1/4 – SST	2
29	66U2-1132-1	Connector	1
30	66U1-3803	Heat Shrink	1
31	14-00212-03SV	Valve, Quench, TXV – Includes:	1
32	34-00373-54	Clamp, Cushion, 0.44 Diameter	1
33	34-06053-03	Washer, Mylar, 0.25 ID x 1.00 OD	1
NS	14-00212-21	Kit, Repair – Includes:	1
NS	NSS	Power Head	1
34	DE40BA203	Tee, Reducing 1/2 x 1/2 x 3/8	1

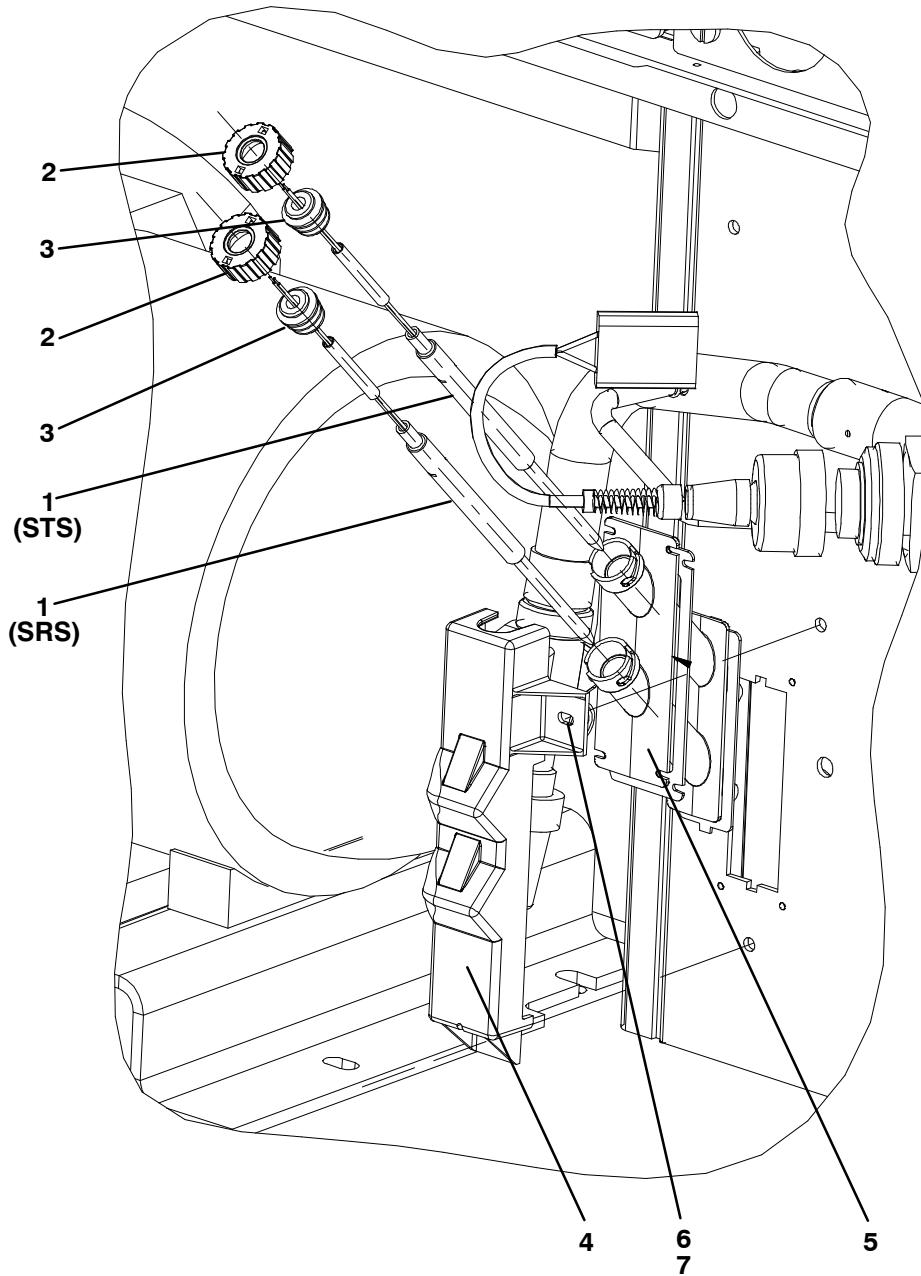
2.25 WATER-COOLED CONDENSER SECTION



Item	Part Number	Description	Qty
-	69NT42-914	Kit, Condenser/Receiver (For Field Installation) - See NOTE - Includes:	1
1	69NT42-914-1	Condenser/Receiver - Includes:	1
2	14-00220-00	Sight Glass, w/red balls, 1/2 NPT	1
3	58-00956-00	Protector, Mylar	2
4	58-00957-00	Protector, Mylar	1
5	40-01129-00	Coupling, Self Draining - Includes:	1
6	66U1-2763-6	Coupling Assembly, Socket - Includes:	1
7	42-50000-00	Seal, O-Ring	1
8	66U2-1152	Cap, Dust (Use with 40-01129-00)	1
9	66U2-1142	Cap, Dust	1
10	66U1-2763-5	Coupling (Water-In)	1
11	79-01757-00	Cap Assembly (Use with 66U1-2763-6)	1
12	14-00215-05	Disc, Rupture, 3/8 NPT	1
13	12-01071-01SV	Switch, Water Pressure OPTION W	1

2.25 WATER-COOLED CONDENSER SECTION (Continued)			
Item	Part Number	Description	Qty
14	34-06053-00	Washer, Mylar, 1/4 ID x 13/16 OD	2
15	66U1-5321-7	Washer, Flat, 1/4 - SST	2
16	66U1-5361-25	Capscrew, Hex Head, 1/4-20 x 3/4 lg. - SST	2
17	66U1-5361-7	Bolt, Hex Head, 3/8-16 x 1.00 lg. - SST	1
18	AU11JR241	Washer, Lock, 3/8 - SST	1
19	66U1-5321-5	Washer, Flat, 3/8 - SST	1
20	34-06053-02	Washer, Mylar, 3/8 ID x 1.00 OD	1
21	-	See Section 2.26 for Sensor Assembly and Related Parts	-
-	76-00677-00	Accessory Kit, Water-Cooled Condenser Tubing - Includes:	-
22	69NT41-487	Tube Assembly - Includes:	1
23	14-01092-03	Indicator, Liquid Moisture - Brass	1
24	68-12368-00	Bracket	1
25	66U1-5371-6	Screw, Hex Head, #10-24 x 3/4 lg. - SST	2
26	34-06053-05	Washer, Mylar, 0.205 ID x 0.600 OD	2
-	69NT41-497	Tube Assembly - Includes:	1
27	14-00222-03	Valve, Liquid Line - Includes:	1
28	40-00086-04	Cap, Flare - 1/4	1
29	17-21002-01	Cap, Valve	1
30	40-00520-01	Coupling, M15 - Brass - Includes:	1
31	40-00520-03	Cap, Service Port	1
32	14-00341-02SV	Filter-Drier with O-Rings	1
33	69NP20-1031	Clamp, Filter-Drier - Includes:	1
NS	58-50014-00	Gasket (16 ft., Cut to length)	1
34	06DA403-844	Valve, Schrader	1
35	12-00352-00	Transducer, Condenser Pressure (CPT)	1
36	69NT41-477	Tube Assembly - Includes:	1
37	40-00555-06	Tee, 1/2 x 1/2 x 3/8 NPT - Brass	1
38	34-06053-03	Washer, Mylar, 0.25 ID x 1.00 OD	3
39	66U1-5371-6	Screw, Machine Hex Head, #10-24 x 0.75 lg. - SST	3
40	34-00373-07	Clamp, Cushion, 0.62 Diameter	2
41	DE40BA203	Tee, Reducing, 1/2 x 1/2 x 3/8	1
42	14-00212-03SV	Valve, Quench, Thermostatic Expansion - Includes:	1
NS	14-00212-21	Kit, Repair - Includes:	1
NS	NSS	Power Head	1
43	34-00373-54	Clamp, Cushion, 0.44 Diameter	1
44	69NT43-420	Bracket Assembly	1
45	34-00928-09	Rivet, Blind, 5/32 Diameter, Grip Range - 1/8-1/4	2
46	12-00495-02SV	Sensor, Ambient Thermistor (AMBS)	1
NOTE			
Must order tubing accessory kit 76-00677-00 when ordering P/N 69NT42-914 for field installation on units provisioned for a water-cooled condenser.			

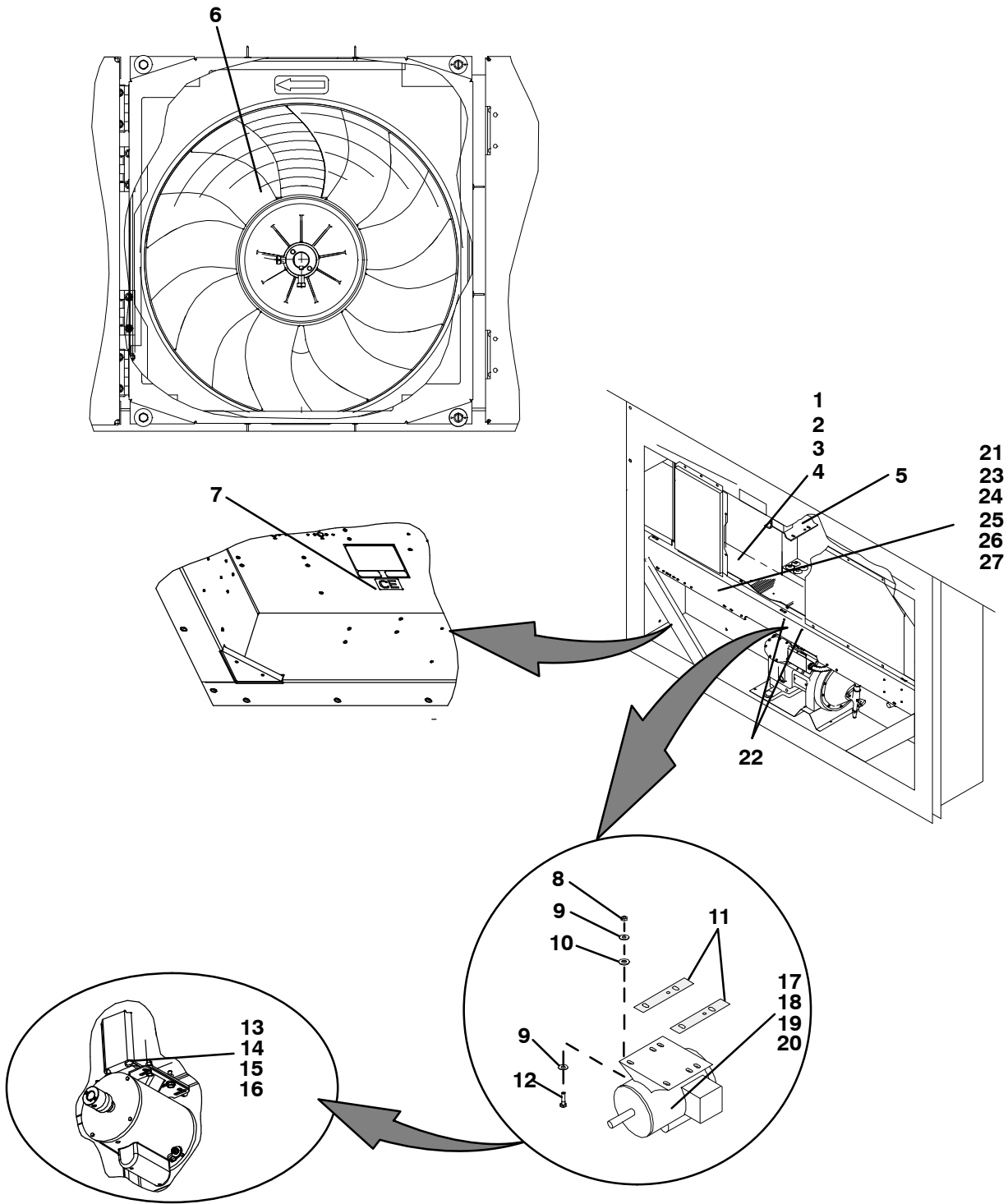
2.26 SRS AND STS SECTION



2.26 SRS AND STS SECTION (Continued)

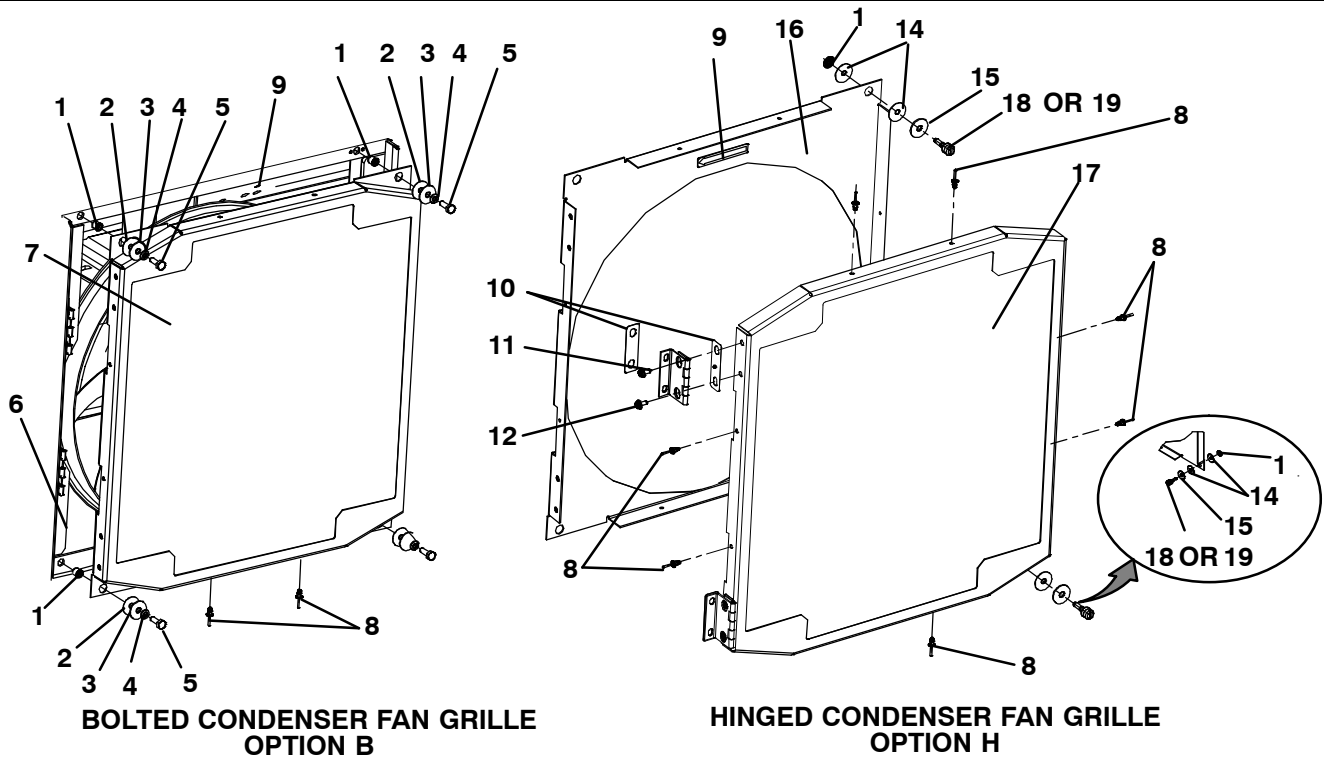
Item	Part Number	Description	Qty
1	12-00395-01SV	Sensor Assembly (STS & SRS)	2
2	58-04277-00SV	Cap, Probe – Includes:	2
3	58-04278-00	Grommet NSS	2
4	58-04279-00	Cover, Probe	1
5	58-04276-00	Holder, Probe	1
6	66U1-5321-7	Washer, Flat, 1/4 – SST	2
7	66U1-5371-7	Screw, Machine, Hex Head, #10-24 x 0.50 lg. – SST	2

2.27 CONDENSER FAN MOTOR AND COIL SECTION



2.27 CONDENSER FAN MOTOR (Continued)			
Item	Part Number	Description	Qty
1	66U1-5361-25	Capscrew, Hex Head, 1/4-20 x 3/4 lg. - SST	10
2	66U1-5321-7	Washer, Flat, 1/4 - SST	10
3	34-06053-00	Washer, Mylar, 3/4 OD x 1/4 ID	10
4	34-06053-03	Washer, Mylar, 1.0 OD x 1/4 ID	2
5	69NT35-3547	Bracket, Condenser Motor Mount	1
Item	Part Number	Description	Qty
STANDARD PARTS			
6	38-00585-00	Fan, Condenser	1
7	62-02785-00	Label, CE	A/R
8	34-00667-12	Nut, Self-Locking, 5/16-18	4
9	34-01181-01	Washer, Flat	8
10	34-06053-02	Washer, 0.375 ID X 1.000 OD	4
11	69NT35-6112	Protector, Condenser Fan Motor Mounting	2
12	66U1-5361	Screw, Cap, Hex Head, 5/16-18 X 1.25	4
13	69NT35-3452	Shim	1
14	69NT35-3452-1	Shim	1
15	69NT35-3452-2	Shim	1
16	69NT35-3452-3	Shim	1
17	54-00586-20	Motor, Condenser, Single Phase - Includes:	1
18	04-50029-00	Bearing	2
19	22-01997-05	Pin	A/R
20	22-01997-10	Pin, Grounding	A/R
OPTION 3 - THREE ROW (7MM) CONDENSER COIL			
21	68-13454-02SV	Cover, Condenser Coil, Blue Includes:	1
	68-13454-03SV	Cover, Condenser Coil, White Includes:	1
22	58-04480-00	Bumper (for use with uncoated center handle)	2
	58-04481-00	Plug (for use with coated handle or units with no center handle)	2
23	81-01575-00SV	Coil, Condenser (Copper) - 7MM 3 Row - Includes Mylar Washers	1
24	66CH1-1172-16	Trim, Flexible	2
25	69NT35-8693-7	Protector (Apply between frame and coil & coil cover)	4
26	69NT35-8693-10	Protector (Apply between frame and coil & coil cover)	2
27	58-04026-41	Protector, Mylar (Apply between coil & coil cover, RH & LH sides)	2

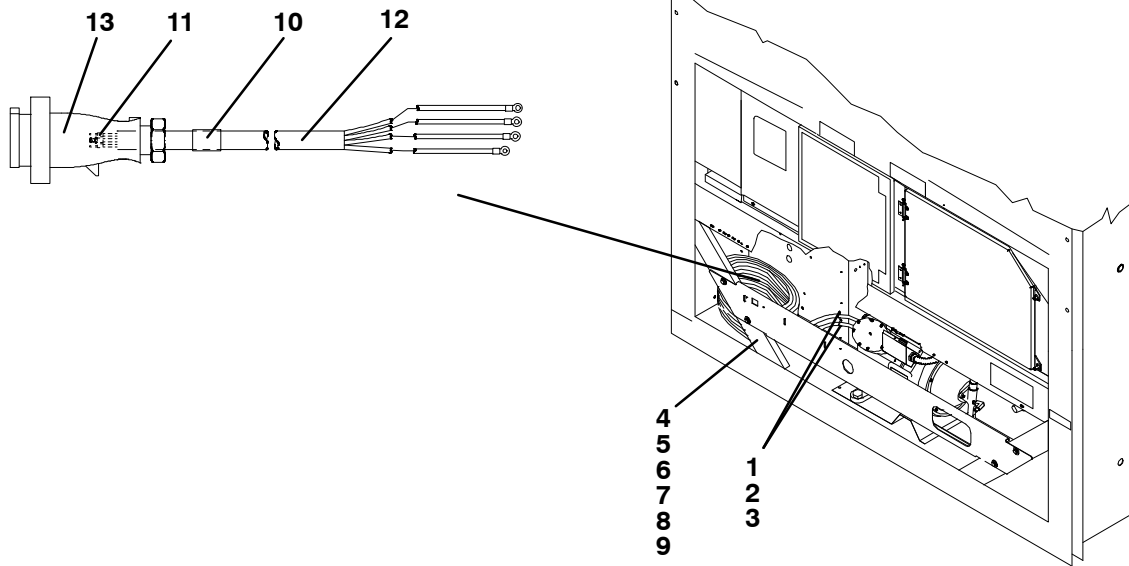
2.28 CONDENSER FAN GRILLE ASSEMBLY



Item	Part Number	Description	Qty
STANDARD PARTS INCLUDED IN OPTION B - BOLTED CONDENSER FAN GRILLE			
1	34-06051-36	Rivnut, 1/4-20	A/R
2	34-06053-03	Washer, 0.250 ID X 1.000 OD	A/R
3	69NT35-2692-1	Washer, Fender, 1/4	A/R
4	34-00663-11	Washer, Lock, 1/4 Spring	A/R
5	66U1-5361-25	Screw, Cap Hex Head, 1/4-20 X 0.75	A/R
BLUE PANEL			
See Previous Section for Standard Parts and use with Items Below:			
	79-66635-00	Grille and Venturi Assembly, Blue - Includes:	1
6	68-12635-05	Panel Venturi	1
7	86-04637-00	Grille Assembly	1
8	34-00928-07	Rivet, Blind	8
9	62-11273-00	Label, Rotation	1
WHITE PANEL			
See Previous Section for Standard Parts and use with Items Below:			
	79-66635-01	Grille and Venturi Assembly, White - Includes:	1
6	68-12635-22	Panel Venturi	1
7	86-04637-02	Grille Assembly	1
8	34-00928-07	Rivet, Blind	8
9	62-11273-00	Label, Rotation	1
ORANGE PANEL			
See Previous Section for Standard Parts and use with Items Below:			
	79-66635-02	Grille and Venturi Assembly, Orange - Includes:	1
6	68-12635-06	Panel Venturi	1
7	86-04637-01	Grille Assembly	1
8	34-00928-07	Rivet, Blind	8
9	62-11273-00	Label, Rotation	1

2.28 CONDENSER FAN GRILLE ASSEMBLY (Continued)			
Item	Part Number	Description	Qty
STANDARD PARTS INCLUDED IN OPTION H – HINGED CONDENSER FAN GRILLE			
8	34-00928-07	Rivet, Blind	8
10	58-04101-07	Protector	4
11	44-00374-00	Hinge	2
12	34-06179-00	Screw, Hex Head, Sems #10-24 X 7/16	4
13	34-06169-00	Washer, Retaining, SST	2
14	34-06053-03	Washer, Mylar, 1/4 ID X 1.00 OD	4
15	69NT35-2692-1	Washer, Fender, 1/4, SST	2
BLUE PANEL WITH SLOTTED SCREW			
See Previous Section for Standard Parts and use with Items Below:			
	79-66635-03	Grille and Venturi Assembly, Blue, Slotted Screw – Includes:	1
16	68-12635-03	Panel, Venturi	1
17	86-04637-00	Grille Assembly	1
18	66U1-6811-8	Screw, Retaining, SST	2
WHITE PANEL WITH SLOTTED SCREW			
See Previous Section for Standard Parts and use with Items Below:			
	79-66635-04	Grille and Venturi Assembly, White, Slotted Screw – Includes:	1
16	68-12635-21	Panel, Venturi	1
17	86-04637-02	Grille Assembly	1
18	66U1-6811-8	Screw, Retaining	2
ORANGE PANEL WITH SLOTTED SCREW			
See Previous Section for Standard Parts and use with Items Below:			
	79-66635-05	Grille and Venturi Assembly, Orange, Slotted Screw – Includes:	1
16	68-12635-04	Panel, Venturi	1
17	86-04637-01	Grille Assembly	1
18	66U1-6811-8	Screw, Retaining	2
BLUE PANEL WITH PHILLIPS SCREW			
See Previous Section for Standard Parts and use with Items Below:			
	79-66635-06	Grille and Venturi Assembly, Blue, Phillips Screw – Includes:	1
16	68-12635-03	Panel, Venturi	1
17	86-04637-00	Grille Assembly	1
19	66U1-6811-12	Screw, Retaining	2
WHITE PANEL WITH PHILLIPS SCREW			
See Previous Section for Standard Parts and use with Items Below:			
	79-66635-07	Grille and Venturi Assembly, White, Phillips Screw – Includes:	1
16	68-12635-21	Panel, Venturi	1
17	86-04637-02	Grille Assembly	1
19	66U1-6811-12	Screw, Retaining	2
ORANGE PANEL WITH PHILLIPS SCREW			
See Previous Section for Standard Parts and use with Items Below:			
	79-66635-08	Grille and Venturi Assembly, Orange, Phillips Screw – Includes:	1
16	68-12635-04	Panel, Venturi	1
17	86-04637-01	Grille Assembly	1
19	66U1-6811-12	Screw, Retaining	2

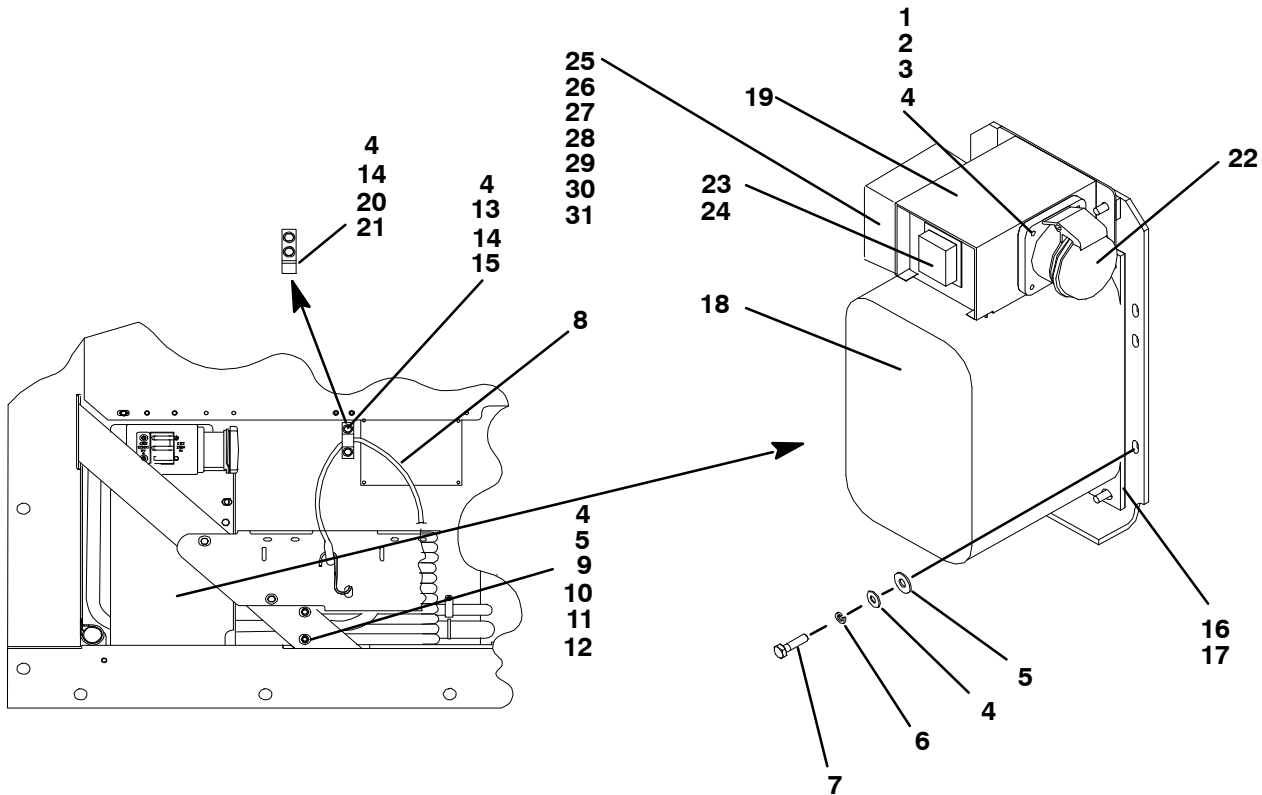
2.29 VOLTAGE CABLES



Item	Part Number	Description	Qty
CLAMPS ON BACK WALL AND CABLE CUTTERS			
1	34-00373-56	Clamp, Tube, Cushioned, 9/16 Diameter (Used with Transicord)	A/R
	34-00373-59	Clamp, Tube, Cushioned, 3/4 Diameter	A/R
2	66U1-5381-1	Screw, Hex Head, #10-24 x 3/4 lg. - SST	A/R
3	34-06053-03	Washer, Mylar, 1/4 ID x 1.00 OD	A/R
4	69NT35-6412-2	Clamp, Cable Cutter, 8 AWG cable	1
	68-14456-00	Clamp, Cable Cutter, 10 AWG cable	1
	58-14456-01	Clamp, Cable Cutter, 11 AWG cable	1
5	58-04026-07	Protector, Mylar	A/R
6	66U1-5361-11	Screw, Machined Hex Head, 1/4-20 x 1-1/2 lg. - SST	A/R
7	34-00667-11	Locknut, Hex Head, 1/4-20 - SST	A/R
8	66U1-5321-7	Washer, Flat, 1/4 - SST	A/R
9	34-06053-03	Washer, Mylar, 0.25 ID x 1.00 O. D.	A/R
460V CABLES			
STANDARD PARTS FOR ALL 460V CABLES			
10	66U1-2583	Heat Shrink Tube (Coil Label) - "460V"	1
11	22-02324-01	Bushing (Used with Standard Cable)	4
	22-02324-05	Bushing (Used with Transicord)	4
OPTION 1			
12	66U1-9782	Cable, Power - Yellow, 10/4	A/R
13	22-02378-00	Plug, Power	1
OPTION 2			
12	22-01551-00	Cable, Power - Yellow, 33 amp, 11 AWG	A/R
13	22-02378-00	Plug, Power	1
OPTION 3			
12	66U1-9782	Cable, Power - Yellow, 10/4	A/R
13	22-01891-00	Plug, Power	1
OPTION 4			
12	22-01551-00	Cable, Power - Yellow, 33 amp, 11 AWG	A/R
13	22-01891-00	Plug, Power	1

2.29 VOLTAGE CABLES (Continued)			
Item	Part Number	Description	Qty
OPTION 5			
12	22-01551-00	Cable, Power – Yellow, 33 amp, 11 AWG	A/R
13	22-01883-00	Plug, Power	1
OPTION 6			
12	22-01551-00	Cable, Power – Yellow, 33 amp, 11 AWG	A/R
13	22-01891-00	Plug, Power	1
OPTION 7			
12	66U1-9782	Cable, Power – Yellow, 10/4	A/R
13	22-01891-00	Plug, Power	1
OPTION 8			
12	66U1-9782	Cable, Power – Yellow, 10/4	A/R
13	22-01932-00	Plug, Power	1
OPTION 9			
12	66U1-9782	Cable, Power – Yellow, 10/4	A/R
13	22-02232-00	Plug, Power	1
230V CABLES			
STANDARD PARTS FOR ALL 230V CABLES			
10	66U1-2583-1	Heat Shrink Tube (Coil Label) – “230V”	1
11	22-02324-02	Bushing (Used with 8 AWG)	4
12	66U1-9782-1	Cable, Power – Black, 35 amps, 8 AWG	A/R
OPTION 1			
13	22-02188-00	Plug, Power	1
OPTION 2			
13	22-02375-00	Plug, Power	1
OPTION 3			
13	66U1-6782-3	Plug, Power	1
OPTION 4			
13	22-01744-00	Plug, Power	1
OPTION 5			
13	22-02322-00	Plug, Power	1
OPTION 6			
13	22-01884-00	Plug, Power	1
OPTION 7			
13	66U1-6782	Plug, Power	1
OPTION 8			
13	22-01931-00	Plug, Power	1
OPTION 9			
13	22-01906-00	Plug, Power	1

2.30 AUTOTRANSFORMER KIT

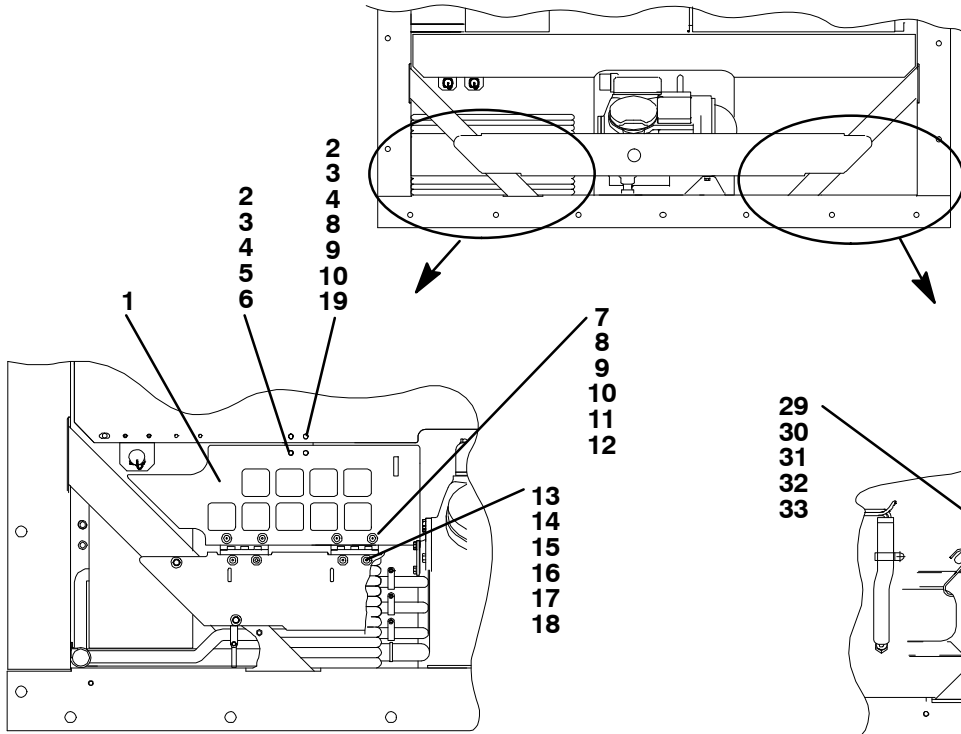


Item	Part Number	Description	Qty
STANDARD PARTS INCLUDED IN EVERY 76-00670 SERVICE KIT			
1	66U1-5371-7	Screw, Hex Head, #10-24 x 1/2 lg. - SST	4
2	66U1-5321-8	Washer, Flat, #10 - SST	4
3	34-06053-05	Washer, Mylar, 0.205 ID x 0.600 OD	4
4	66U1-5321-7	Washer, Flat, 1/4 - SST	A/R
5	34-06053-00	Washer, Mylar, 0.250 ID x 0.800 OD	5
6	AU11JR171	Washer, Lock, 1/4 - SST	5
7	AA06JA170	Screw, Hex Head, 1/4-20 x 1.00 lg.	5
8	66U1-2603	Strap, Tie Down	1
9	69NT35-6412-2	Clamp, Cable Cutter, 8 AWG cable	1
	69NT35-6412	Clamp, Cable Cutter, 10 AWG cable	1
	69NT35-6412-1	Clamp, Cable Cutter, 11 AWG cable	1
10	58-04026-07	Protector, Mylar	1
11	66U1-5361-11	Screw, Machined Hex Head, 1/4-20 x 1-1/2 lg. - SST	2
12	34-00667-11	Locknut, Hex Head, 1/4-20 - SST	2
13	69NT35-5992	Clamp, Tie Down Strap	1
14	66U1-5361-25	Bolt, Hex Head, 1/4-20 x 3/4 lg. - SST	A/R
15	34-06053-03	Washer, Mylar, 0.25 ID x 1.00 OD	2
16	69NT43-374	Bracket Assembly	1
17	58-04026-17	Protector, Mylar	1

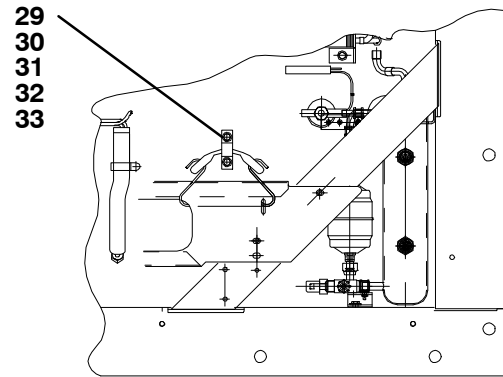
2.30 AUTOTRANSFORMER KIT (Continued)

Item	Part Number	Description	Qty
OPTION 1 – AUTOTRANSFORMER			
See Previous Page for Standard Parts Included in the Kit and use with Items Below			
-	76-00670-02	Transformer Kit, Field Installation, without CB2 – Includes:	1
18	10-01139-04	Transformer, Dual Voltage Modular	1
NS	22-01778-00	Terminal Block – Used only without CB2	1
19	69NT43-470-1	Box Assembly	1
20	69NT35-8382	Clamp, Tie Down Strap	1
21	58-04026-22	Protector, Mylar	1
OPTION 2 – AUTOTRANSFORMER WITH CB2 AND RECEPTACLE			
See Previous Page for Standard Parts Included in the Kit and use with Items Below			
-	76-00670-01	Transformer Kit, Field Installation, with CB2 – Includes:	1
18	10-01139-04	Transformer, Dual Voltage Modular	1
19	69NT43-470	Box Assembly – Used only with CB2	1
22	22-01679-00	Receptacle, 32 Amp	1
	22-01679-01	Receptacle, w/ Screw Cap – 32 Amp, Alternate, SOLD SEPARATELY	1
20	69NT35-8382	Clamp, Tie Down Strap	1
21	58-04026-22	Protector, Mylar	1
-	76-00667-05	Circuit Breaker Kit, Field Installation – Includes:	1
23	10-00083-05	Circuit Breaker, 70 amp – 250 vac, 50/60 hz	1
24	66U2-1531	Boot – Includes:	1
NS	NSS	Frame	1
NS	NSS	Screw, Self Sealing, #6-32 x 3/8 lg. – SST	6
OPTION 3 – AUTOTRANSFORMER WITH CB2 AND BRIDGING UNIT			
See Previous Page for Standard Parts Included in the Kit and use with Items Below			
-	76-00670-03	Transformer Kit, Field Installation, with CB2 and TBU – Includes:	1
18	10-01139-04	Transformer, Dual Voltage Modular	1
19	69NT43-470-2	Box Assembly	1
20	69NT35-8382	Clamp, Tie Down Strap	1
21	58-04026-22	Protector, Mylar	1
-	76-00667-05	Circuit Breaker Kit, Field Installation – Includes:	1
23	10-00083-05	Circuit Breaker, 70 amp – 250 vac, 50/60 hz	1
24	66U2-1531	Boot – Includes:	1
NS	NSS	Frame	1
NS	NSS	Screw, Self Sealing, #6-32 x 3/8 lg. – SST	6
25	12-00474-00	Bridge Unit, Transformer	1
26	42-00470-00	Gasket, Transformer Bridge Unit	1
27	34-06221-00	Screw, Hex Head, #10-24 x 2.50 lg. – SST	2
28	34-00667-09	Locknut, Hex Head, #10-24 – SST	2
29	66U1-5321-8	Washer, Flat #10 – SST	2
30	34-06053-05	Washer, Mylar 0.205 ID x 0.600 OD	2
31	22-02324-01	Bushing, 0.142 ID x 0.472 OD	3
OPTION 4 – AUTOTRANSFORMER WITH CB2 AND RECEPTACLE			
See Previous Page for Standard Parts Included in the Kit and use with Items Below			
-	76-00670-04	Transformer Kit, Field Installation, with CB2 – Includes: Everything in kit 76-00670-01 except replace item #22 with below	1
22	22-01734-01	Receptacle, 32 Amp	1

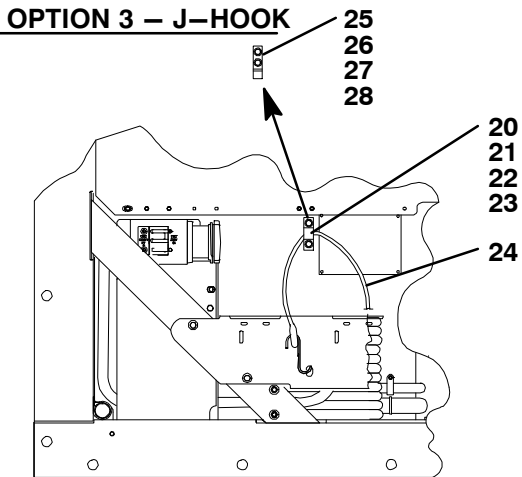
2.31 CABLE RESTRAINT COMPONENTS



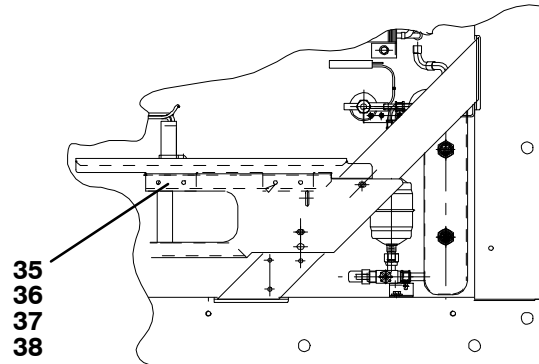
OPTION 1 – CABLE DOOR



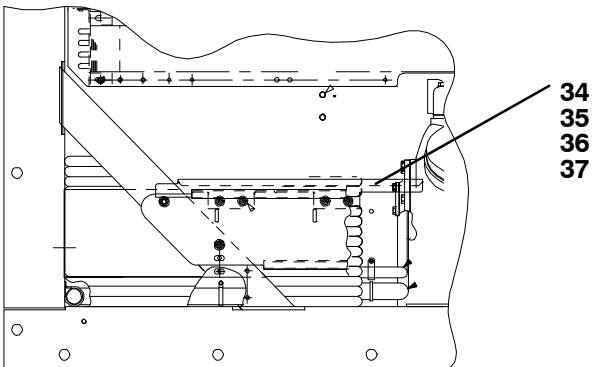
OPTION 4 and 6 – RIGHT SIDE BUNGY CORD



OPTION 2, 4, 5 and 6 – LEFT SIDE BUNGY CORD



OPTION 6 – RIGHT SIDE EXTENDED GUARD

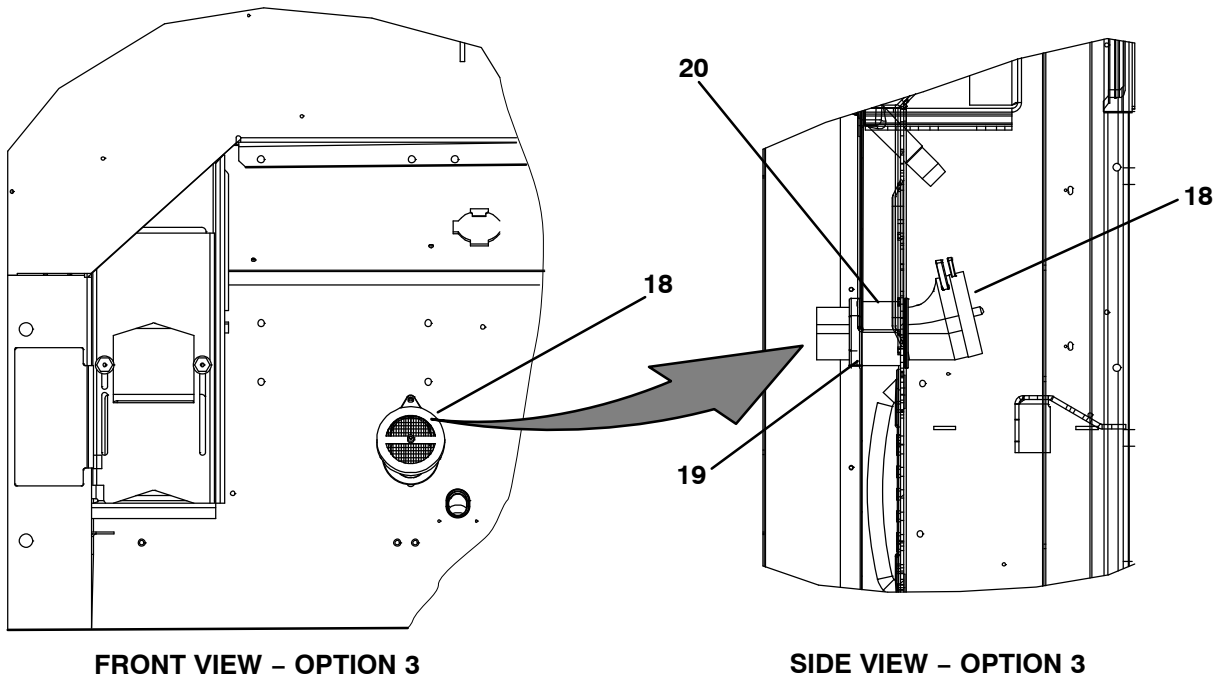
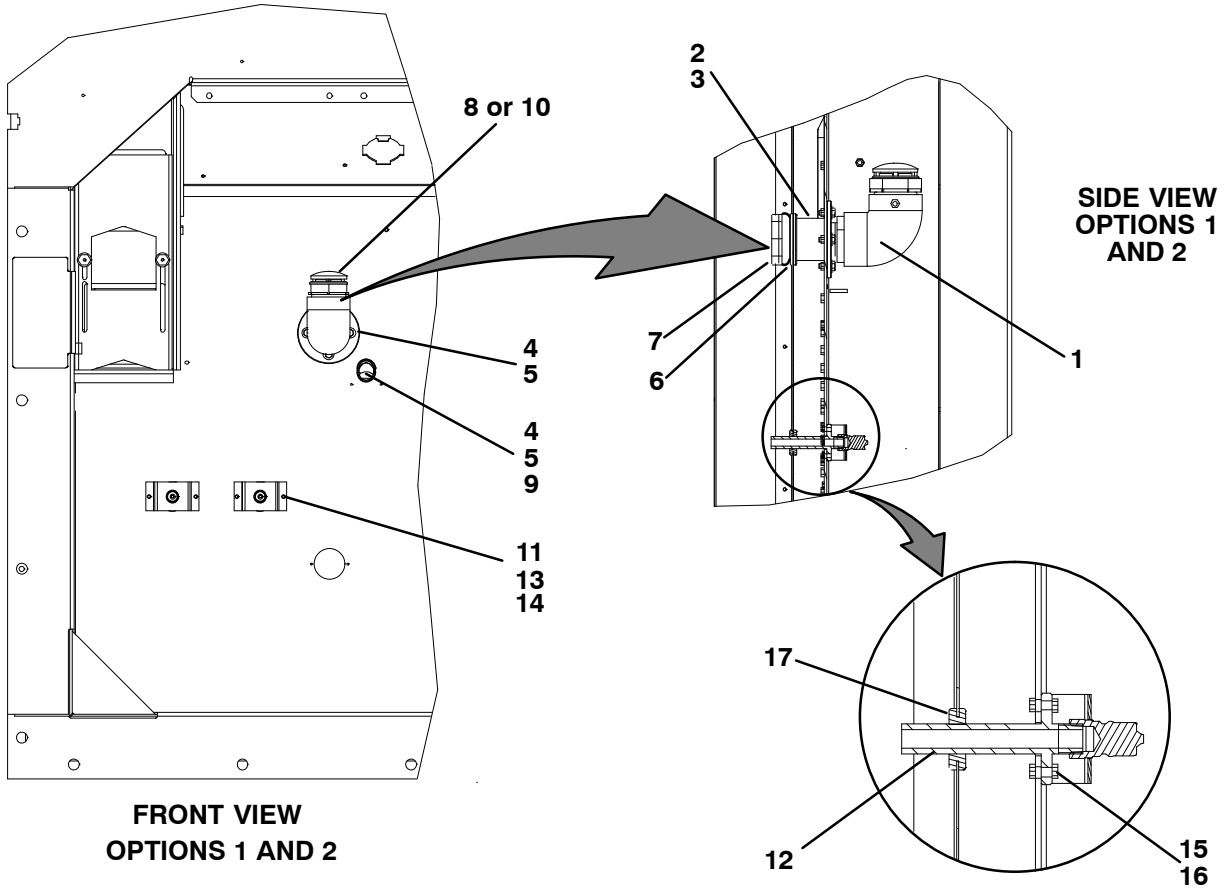


OPTION 5 and 6 – LEFT SIDE EXTENDED GUARD

2.31 CABLE RESTRAINT COMPONENTS (Continued)

Item	Part Number	Description	Qty
OPTION 1 – CABLE DOOR			
1	69NT41-724-4	Cover Assembly w/Latch, Cable Storage – Includes:	1
2	34-06126-08	Screw, Hex Head, #4-40 x 1/2 lg. – SST	2
3	34-00662-05	Washer, Flat, #4 –SST	4
4	34-00667-05	Locknut, Hex Head, #4-40	2
5	34-06053-08	Washer, Mylar, 1/8 ID x 3/8 OD	2
6	44-00340-03	Latch	1
7	69NT35-8032	Hinge	2
8	66U1-2403	Screw, Truss Head, #10-24 x 1/2 lg. – SST	4
9	66U1-5321-8	Washer, Flat, #10	4
10	34-00667-09	Locknut, Hex Head, #10-24 – SST	4
11	34-06053-05	Washer, Mylar, 3/16 ID x 5/8 OD	4
12	58-04001-02	Protector, Mylar	2
13	58-04001-01	Protector, Mylar	1
14	34-06053-05	Washer, Mylar, 3/16 ID x 5/8 OD	2
15	34-01167-01	Retainer, Nut	1
16	66U1-2403	Screw, Truss Head, #10-24 x 1/2 lg. – SST	2
17	66U1-5321-8	Washer, Flat, #10 – SST	2
18	66U1-5331-3	Washer, Lock, #10 – SST	4
19	44-00340-05	Latch, Catch	1
OPTION 2 – LEFT BUNGY CORD ONLY			
20	69NT35-5992	Cable Restraint	1
21	66U1-5321-7	Washer, Flat, 1/4 – SST	2
22	66U1-5361-25	Screw, Cap, Hex, Head, 1/4-20 x 0.75 lg – SST	2
23	34-06053-03	Washer, Mylar, 0.25 ID X 1.00 OD	2
24	66U1-2603	Strap, Tie Down	1
OPTION 3 – J-HOOK			
25	69NT35-8382	Cable Restraint, J-Hook	1
26	58-04026-22	Protector, Mylar	1
27	66U1-5321-7	Washer, Flat, 1/4 – SST	2
28	66U1-5361-25	Screw, Cap, Hex, Head, 1/4-20 x 0.75 lg – SST	2
OPTION 4 – LEFT AND RIGHT BUNGY CORD			
Use Option 2 Plus the Items Below			
29	66U1-2603	Strap, Tie Down	1
30	69NT35-5992	Cable Restraint	1
31	66U1-5361-25	Screw, Cap, Hex, Head, 1/4-20 x 0.75 lg – SST	2
32	66U1-5321-7	Washer, Flat, 1/4 – SST	2
33	34-06053-03	Washer, Mylar, 0.25 ID X 1.00 OD	2
OPTION 5 – LEFT BUNGY CORD WITH LEFT EXTENDED GUARD			
Use Option 2 Plus the Items Below			
34	68-13310-00	Bracket, Left	1
35	66U1-2403	Screw, Truss Head, #10-24 x 1/2 lg. – SST	A/R
36	66U1-5321-8	Washer, Flat, #10 – SST	A/R
37	34-06053-05	Washer, Mylar, 3/16 ID x 5/8 OD	A/R
OPTION 6 – LEFT AND RIGHT BUNGY CORD WITH EXTENDED GUARDS			
Use Option 4 and 5 Plus the Items Below			
38	68-13310-01	Bracket, Right	1

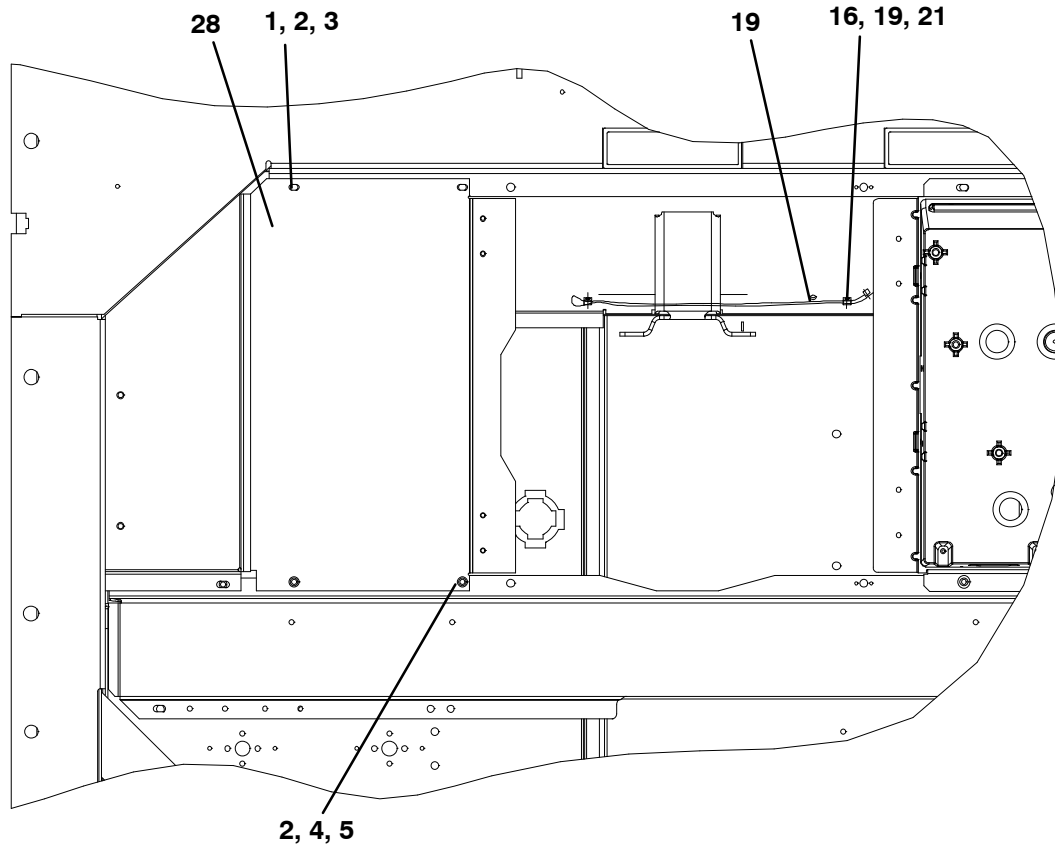
2.32 VACUUM RELIEF VALVE



2.32 VACUUM RELIEF VALVE (Continued)

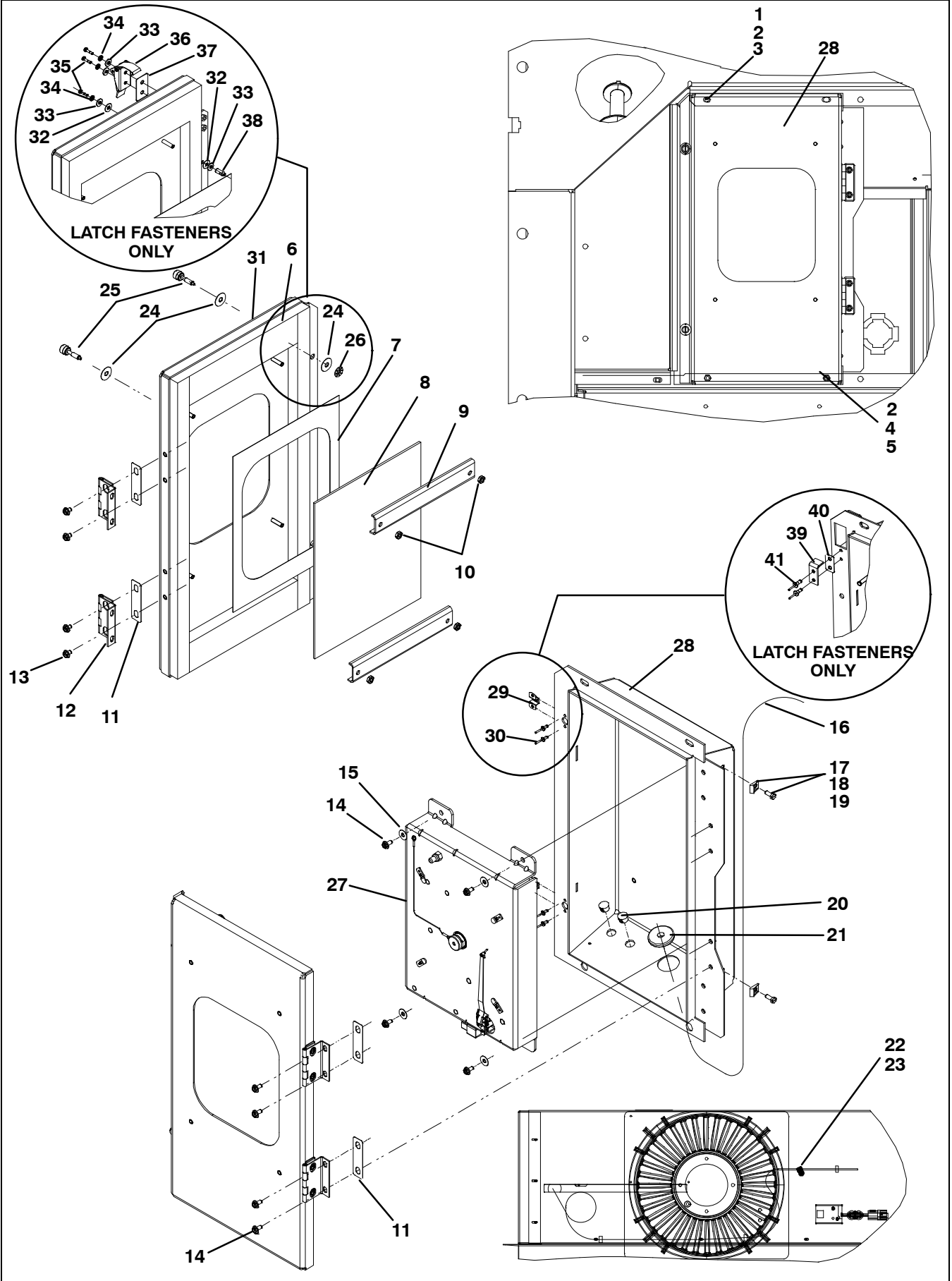
Item	Part Number	Description	Qty
STANDARD PARTS FOR OPTIONS			
1	58-04127-06	Elbow, Schedule 80	1
2	58-04127-00	Tube, Flanged, Plastic	1
3	58-04127-07	Collar	1
4	66U1-5321-7	Washer, Plain, 1/4	A/R
5	66U1-5361-25	Screw, Hex Head, 1/4-20 X 0.75	A/R
6	58-00065-72	Grommet	1
7	58-04127-05	Coupling, Schedule 80	1
OPTION 1 - VACUUM RELIEF VALVE			
See Previous Section for Standard Parts and use with Items Below:			
8	40-66615-00	Valve, Vacuum Relief	1
9	34-06053-00	Washer, Plain, 0.25 ID X 0.80 OD	8
OPTION 2 - WITH NITROGEN-FED CONTROLLED ATMOSPHERE			
See Previous Section for Standard Parts and use with Items Below:			
10	58-04127-03	Valve, Pressure Relief	1
11	58-00989-03	Mylar Protector	4
12	58-04170-01	Tube Assembly, Nitrogen Feed	2
13	69NT35-8012	Bracket, 14 Gauge, SST 2B	2
14	34-00928-13	Rivet, Blind, 0.187 Inch Diameter, 0.126-0.250	4
15	66U1-5321-8	Washer, #10	4
16	66U1-5371-10	Screw, Machine, Hex Head, Slotted #10-24 X 1.00	4
17	58-00065-71	Grommet, Nitrogen Atmosphere	2
OPTION 3 - VACUUM RELIEF VALVE, CUSTOMER SPECIFIC			
See Previous Section for Standard Parts and use with Items Below:			
18	40-66616-00	Valve, Vacuum Relief, Customer Specific	1
19	42-66617-00	Seal	1
20	58-66635-00	Collar	1

2.33 OPTION 9 AND OPTION P – ELECTRONIC PARTLOW TEMPERATURE RECORDER



Item	Part Number	Description	Qty
OPTION 9 – NO TEMPERATURE RECORDER			
1	66U1-5321-7	Washer, Flat, 1/4, SST	2
2	66U1-5361-25	Screw, Captive Hex Head, 1/4-20 X 0.75 Long, SST	4
3	34-06053-13	Washer, Retaining, 0.195 ID X 0.80 OD, Mylar	2
4	69NT35-2692-1	Washer, Fender, 1/4 ID X 0.993-1.015 OD	2
5	34-06053-03	Washer, 0.25 ID X 1.00 OD, Mylar	2
28	68-12658-01	Recorder Cover, Blue, Standard	1
	68-12658-20	Recorder Cover, White	1
	68-12658-04	Recorder Cover, Orange	1
	68-12658-03	Recorder Cover, Blue, Customer Specific	1
OPTION P – TEMPERATURE RECORDER PROVISION			
1	66U1-5321-7	Washer, Flat, 1/4, SST	2
2	66U1-5361-25	Screw, Captive Hex Head, 1/4-20 X 0.75 Long, SST	4
3	34-06053-13	Washer, Retaining, 0.195 ID X 0.80 OD, Mylar	2
4	69NT35-2692-1	Washer, Fender, 1/4 ID X 0.993-1.015 OD	2
5	34-06053-03	Washer, 0.25 ID X 1.00 OD, Mylar	2
16	22-01713-16	Harness ML3, E-Record Connection	1
19	66U1-3882	Wire Tie 1/16-1-3/4, Self-Locking	4
21	22-01713-18	Harness, E-Record Connection	2
28	68-12658-01	Recorder Cover, Blue, Standard	1
	68-12658-20	Recorder Cover, White	1
	68-12658-03	Recorder Cover, Blue, Customer Specific	1

2.34 OPTION PS, OPTION 12 AND OPTION 13 – ELECTRONIC PARTLOW TEMPERATURE RECORDER



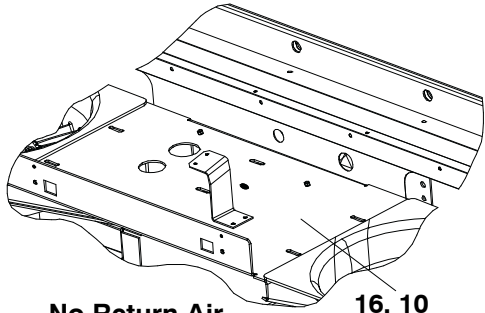
2.34 OPTION PS, OPTION 12 AND OPTION 13 – ELECTRONIC PARTLOW TEMPERATURE RECORDER (Continued)

Item	Part Number	Description	Qty
OPTION PS – TEMPERATURE RECORDER PROVISION, RECORDER BOX AND COVER ONLY, CUSTOMER SPECIFIC			
24	34-06053-00	Washer 0.250 ID X 0.800 OD	4
25	66U1-6811-8	Screw, Retaining 0.300-0.625 Panel	2
26	34-06169-00	Washer, Retaining 0.185 ID X 0.62 OD	2
28	86-04217-02	Box Assembly, Welded (Universal)	1
29	34-01142-01	Receptacle #12 Saddle Type	2
30	34-00928-01	Rivet, Blind 0.125 Diameter 0.063-0.125	4
31	69NT43-256	Door Assembly	1
STANDARD PARTS FOR OPTIONS 12 AND 13			
1	66U1-5321-7	Washer, Plain 1/4 W Type A	2
2	66U1-5361-25	Screw, Captive Hex Head 1/4-20 X 0.75	4
3	34-06053-13	Washer, Retaining 0.19 ID X 0.80 OD (0.250)	2
4	69NT35-2692-1	Washer, Fender 1/4-0.993-1.015 OD	2
5	34-06053-03	Washer 0.250 ID X 1.000 OD	2
6	42-01098-01	Gasket, Door 0.68 X 10.43 X 20.23	1
7	69NT35-5352-1	Foam, Double Coated 0.03 X 8.37 X 10.63	1
8	69NT35-5022-5	Window 0.12 X 8.37 X 10.63	1
9	68-13724-00	Bracket, Mtg Window, 0.090 Thick Aluminum	2
10	34-00795-09	Nut, Self Lock 10-32	4
11	58-04101-07	Protector 0.010 Thick X 0.75 X 2.63	4
12	44-00374-00	Hinge Recorder Door	2
13	34-06179-04	Screw, Hex Head Sems #10-24 X 5/16	4
14	34-06179-00	Screw, Hex Head Sems #10-24 X 7/16	8
15	34-06053-05	Washer 0.205 ID X 0.600 OD	4
16	22-01713-16	Harness ML3; E-Record	1
17	58-04246-00	Ty-Rap Base (#10) Mounting Tab	2
18	66U1-5371-7	Screw, Machined Hex Head #10-24 X 0.500 Slotted	4
19	66U1-3882	Wire Tie 1/16-1-3/4 Self-Locking	4
20	58-00616-02	Plug, Hole 0.50 Diameter X 0.12 Panel	2
21	58-00065-77	Grommet 0.38 ID X 1.25 OD	1
OPTION 12 – SPECIAL TEMPERATURE RECORDER INSTALLED			
See Previous Section for Standard Parts and use with Items Below			
-	76-00701-10 OPTION 12	Partlow Recorder Kit, Special – Includes: Recorder, Box and Door Assemblies	1
22	34-00663-09	Washer, Lock #10 Spring	1
23	34-06051-32	Rivnut	3
24	34-06053-00	Washer 0.250 ID X 0.800 OD	4
25	66U1-6811-8	Screw, Retaining 0.300-0.625 Panel	2
26	34-06169-00	Washer, Retaining 0.185 ID X 0.62 OD	2
27	12-00464-07	Recorder, Temp Electronic Partlow	1
28	86-04217-02	Box Assembly, Welded (Universal)	1
29	34-01142-01	Receptacle #12 Saddle Type	2
30	34-00928-01	Rivet, Blind 0.125 Diameter 0.063-0.125	4
31	69NT43-256	Door Assembly	1

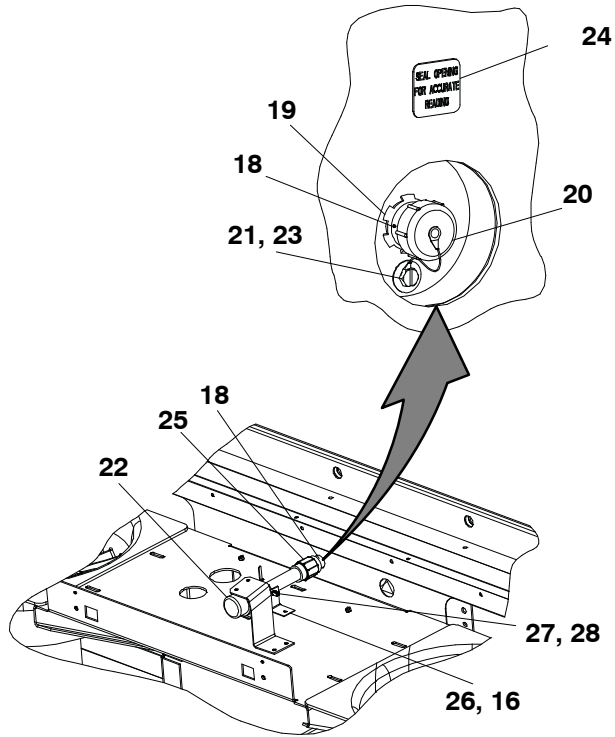
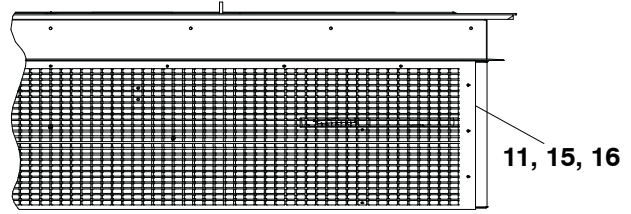
2.34 OPTION PS, OPTION 12 AND OPTION 13 – ELECTRONIC PARTLOW TEMPERATURE RECORDER (Continued)

Item	Part Number	Description	Qty
OPTION 13 – STANDARD TEMPERATURE RECORDER INSTALLED			
See Previous Page for Standard Parts and use with Items Below			
-	76-00701-11 OPTION 13	Partlow Recorder Kit, Standard – Includes: Recorder, Box & Door Assemblies	1
24	34-06053-00	Washer 0.250 ID X 0.800 OD	4
25	66U1-6811-8	Screw, Retaining 0.300-0.625 Panel	2
26	34-06169-00	Washer, Retaining 0.185 ID X 0.62 OD	2
27	12-00464-08	Recorder, Temp Electronic Partlow (Standard)	1
28	86-04217-01	Box Assembly, Welded	1
29	34-01142-01	Receptacle #12, Saddle Type	2
30	34-00928-01	Rivet, Blind 0.125 Inch Diameter, 0.063-0.125	4
31	69NT43-256	Door Assembly	1
OPTION 13 – STANDARD TEMPERATURE RECORDER INSTALLED, WITH WING SCREWS			
See Previous Page for Standard Parts and use with Items Below			
-	76-00701-11 OPTION 13	Partlow Recorder Kit, Standard – Includes: Recorder, Box & Door Assemblies	1
24	34-06053-00	Washer 0.250 ID X 0.800 OD	4
25	66U1-6811-16	Screw, Retaining 0.300-0.625 Panel (Wing)	2
26	34-06169-00	Washer, Retaining 0.185 ID X 0.62 OD	2
27	12-00464-08	Recorder, Temp Electronic Partlow (Standard)	1
28	86-04217-01	Box Assembly, Welded	1
29	34-01142-01	Receptacle #12 Saddle Type	2
30	34-00928-01	Rivet, Blind 0.125 Inch Diameter 0.063-0.125	4
31	69NT43-256	Door Assembly	1
OPTION 13 – STANDARD TEMPERATURE RECORDER INSTALLED, WITH LATCH FASTENERS			
See Previous Page for Standard Parts and use with Items Below			
-	76-00701-11 OPTION 7	Partlow Recorder Kit, Standard – Includes: Recorder, Box & Door Assemblies	1
27	12-00464-08	Recorder, Temperature Electronic Partlow	1
28	86-04217-03	Box Assembly Welded (Universal)	1
32	34-06053-14	Washer, Retaining 0.165 ID X 0.500 OD	2
33	66U1-5321-2	Washer, Plain #8 Type A	6
34	34-00663-08	Washer, Lock #8 Spring	5
35	34-66635-00	Screw, Machined Pinhead #8-32 X 0.375 Long	5
36	44-66605-00	Latch	2
37	58-04026-74	Protector Latch	2
38	48-66611-00	Pin, Guide Machined	1
39	68-86032-00	Keeper Recorder	2
40	58-04026-73	Protector Electronic, Latch	2
41	34-00928-09	Rivet, Blind 0.156 Inch Diameter 0.126-0.250	4

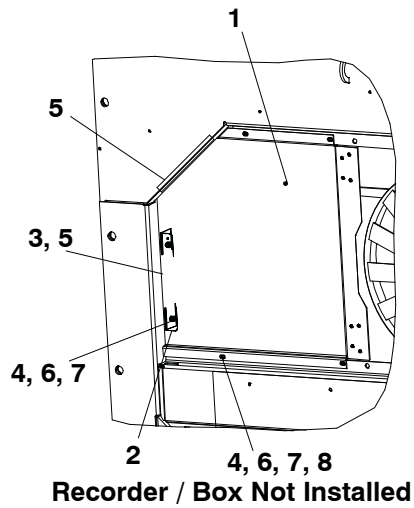
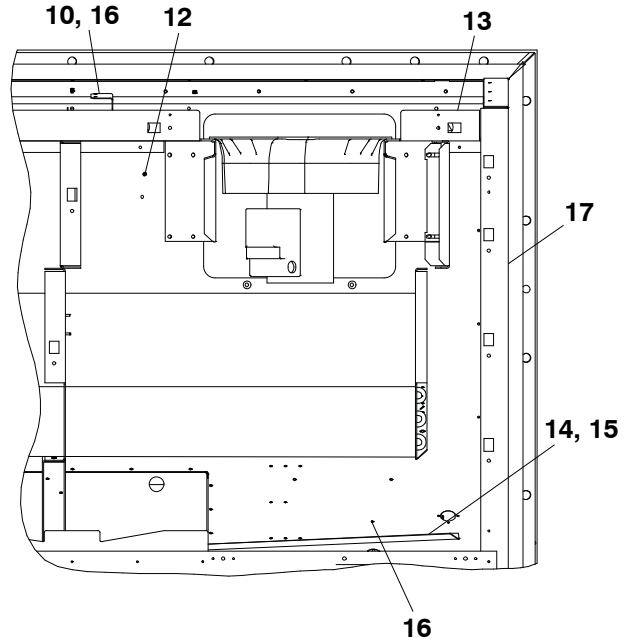
2.35 LOWER FRESH AIR MAKE-UP VENT



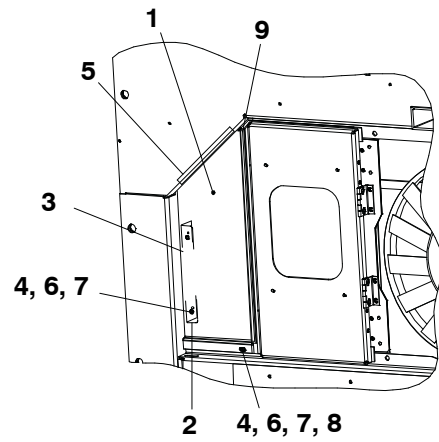
**No Return Air
Thermometer Port**



**Return Air
Thermometer Port**



**Recorder / Box
Not Installed**



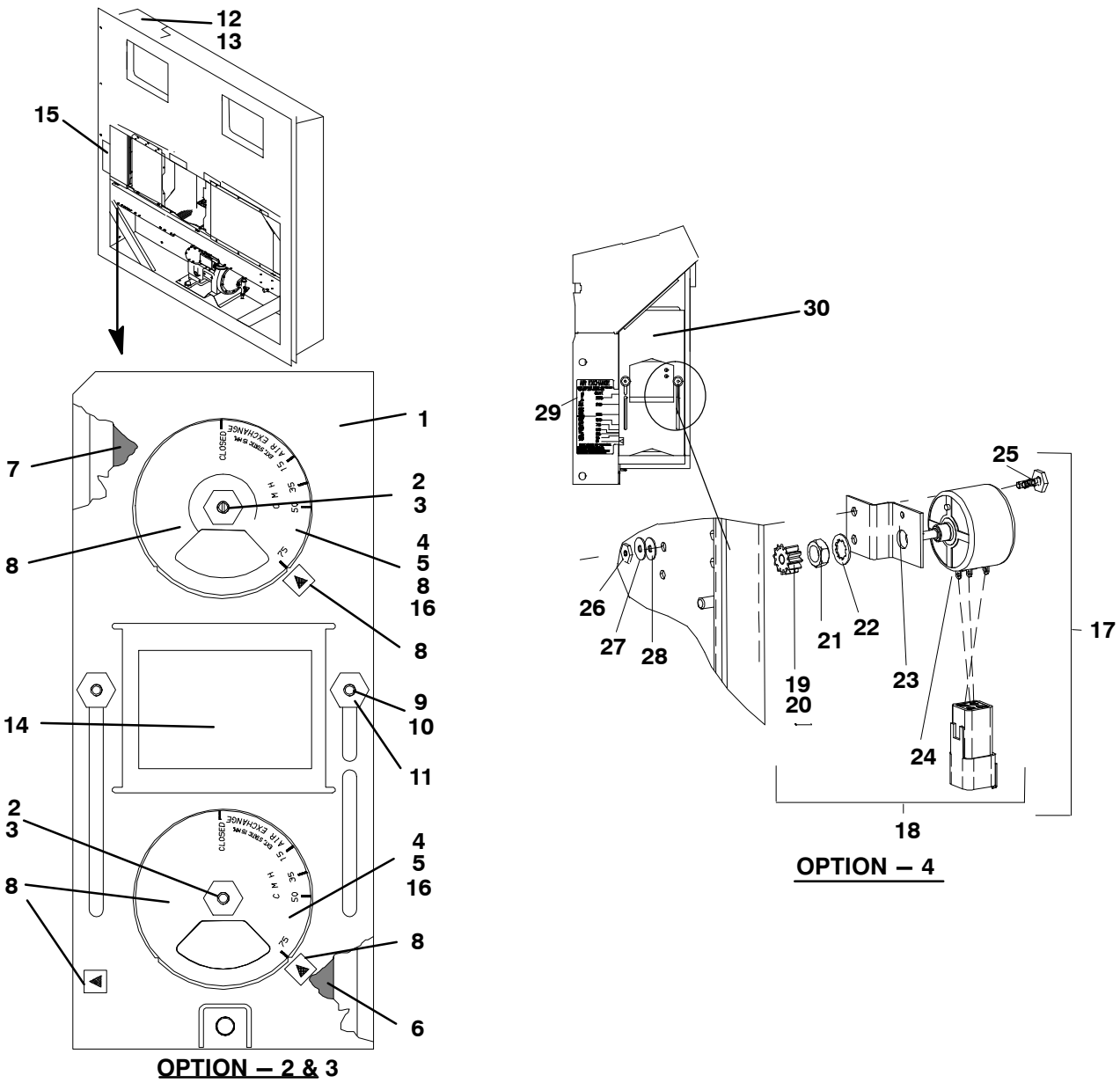
**Recorder / Box
Installed**

77-01156

2.35 LOWER FRESH AIR MAKE-UP VENT			
Item	Part Number	Description	Qty
OPTION 1 - LOWER FRESH AIR, NOT INSTALLED			
WITH RECORDER OR RECORDER BOX INSTALLED			
1	69NT35-4047	Panel	1
2	69NT43-307	Bracket Assembly	1
3	34-00928-20	Rivet, Blind	2
4	66U1-5361-25	Screw, Cap Hex Head 1/4-20 X 0.75	3
5	66U1-2552-186	Gasket	1
6	34-06053-18	Washer 0.250 ID X 1.000 OD	3
7	66U1-5321-3	Washer, Plain 1/4 N Type A	2
8	69NT35-2692-1	Washer, Fender 1/4	1
9	42-00465-00	Gasket	1
10	68-12815-00	Bracket	1
11	68-12821-00	Grille	1
12	68-14935-01	Panel	1
13	68-13984-00	Fan Deck Assembly	1
14	68-13727-00	Gutter	1
15	34-00928-07	Rivet	17
16	34-00928-09	Rivet	9
17	69NT43-286	Channel Assembly	1
THERMO PORT - WITH RECORDER OR RECORDER BOX INSTALLED			
18	58-01231-00	Nipple 1/2 X 1/2	1
19	34-01121-00	Nut, Lock	2
20	66U1-8662	Cap & Chain Black Thermoplastic	1
21	66U1-5371-7	Screw, Machine Hex Head #10-24 X 0.500	1
22	58-01094-02	Screen Assembly	1
23	34-06053-05	Washer	1
24	62-11276-00	Label Thermoport	1
25	58-04499-00	Pipe	1
26	68-14029-00	Bracket	1
27	58-04316-00	Base, Mounting	1
28	66U1-3882	Wire Tie	1
WITH RECORDER OR RECORDER BOX NOT INSTALLED			
1	68-86120-00	Cover Recorder	1
1	68-86120-02	Cover Recorder (Customer Specific)	1

77-01156-00,01, 21 - 24, 26

2.35 LOWER FRESH AIR MAKE-UP VENT

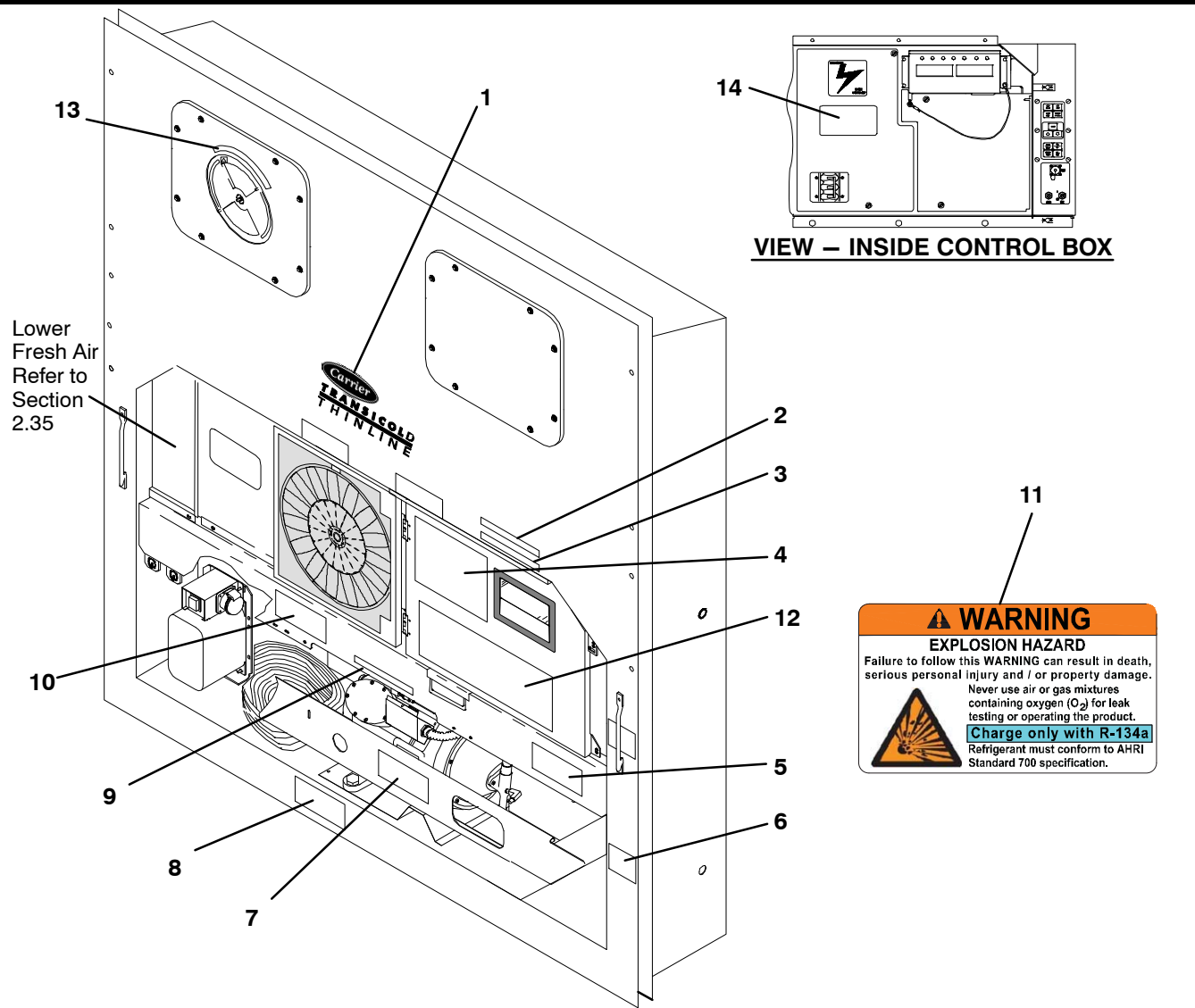


Item	Part Number	Description	Qty
OPTION 2 - INSTALLED			
1	69NT41-852-4	Cover, Fresh Air Makeup (see #8*) – Includes:	1
	69NT41-852-5		
2	34-06092-00	Nut, Hex, 1/4-20 UNC-2B – SST	2
	34-06183-00	Nut, Hex, (with mini handle), 1/4-20 UNC-2B – SST	2
3	34-06053-00	Washer, Mylar, 1/4 ID x 1.00 OD	2
4	69NT-35-6922	Cover Assembly, Air Bleed – Includes:	2
5	42-00233-01	Gasket, Air Exchange	2

2.35 LOWER FRESH AIR MAKE-UP VENT (Continued)

Item	Part Number	Description	Qty
6	42-00295-01	Gasket, Cover	1
7	42-00295-00	Gasket, Cover	1
8	76-50116-03	Label Kit – Includes:	1
	62-10540-04	Label, Air Exchange, CMH – <i>English</i>	2
	66CH1-1002-33	Label, Arrow *Used with 69NT41-852-5	3
	76-50116-00	Label Kit – Includes:	1
	69NT35-1417	Label, Air Exchange, CMH – <i>English</i> (Maersk Specification)	2
	66CH1-1002-33	Label, Arrow (Maersk Specification)	3
	76-50116-01	Label Kit – Includes:	1
	69NT35-9238	Label, Air Exchange, CFM – <i>English/Spanish</i>	2
	66CH1-1002-33	Label, Arrow	3
	76-50116-02	Label Kit – Includes:	1
	62-10540-00	Label, Air Exchange, CMH – <i>English/Spanish/Chinese</i>	2
	66CH1-1002-33	Label, Arrow	3
	76-50116-04	Label Kit – Includes:	1
	62-10540-00	Label, Air Exchange, CMH – <i>English/Spanish/Chinese</i> (NYK Specification)	2
	62-10381-00	Label, Arrow (NYK Specification)	3
9	66U1-5321-7	Washer, Flat, 1/4 – SST	2
10	69NT41-782	Bushing	2
11	34-06092-00	Nut, Hex, 1/4-20 UNC-2B – SST	A/R
	34-06183-00	Nut, Hex, (with mini handle), 1/4-20 UNC-2B – SST	A/R
12	69NT35-8348	Baffle, Unpainted	1
13	34-00928-09	Rivet, Blind, 0.156 Diameter, Grip Range – 3/16-1/4	4
14	69NT35-7012	Label, Fresh Air	1
15	69NT35-1287-1	Label, Fresh Air Exchange, CMH – <i>English</i> (Maersk Specification)	1
	69NT35-9228	Label, Fresh Air Exchange, CFM – <i>English/Spanish</i>	1
	62-10537-00	Label, Fresh Air Exchange, CMH – <i>English/Japanese/Chinese</i>	1
	62-10381-00	Label, Fresh Air Exchange, CMH – <i>English</i> *Used with 69NT41-852-4	1
OPTION 3 – INSTALLED WITH SCREENS – USE ALL OF OPTION 2 PLUS ITEM BELOW			
16	58-04263-01	Screen Assembly, Medfly	2
OPTION 4 – INSTALLED WITH VENT POSITION SENSOR			
17	76-50136-00	Assembly, Vent Position Sensor – Includes:	1
18	79-01925-00	Sensor Assembly – Includes:	1
19	48-00377-00	Gear, 69NT, Auto LFA	1
20	34-06262-00	Screw, Set #8- 32 X 0.156lg	1
21	34-06287-00	Nut, Hex Jam 3/ 8- 32	1
22	34-06286-00	Washer, Lock 3/ 8- 32	1
23	68-14955-00	Bracket, 0.063 Thick SST	1
24	10-00455-00	Sensor, LVPS; Potentiometer	1
25	66U1-5371-7	Screw, Hex Head 10-24 x 1/2 gl. SST	2
26	34-00666-09	Nut, Hex, 10-24 UNC-2B – SST	2
27	66U1-5321-8	Washer, Flat, 1/2, Type A- SST	2
28	34-06053-04	Washer, Mylar	2
29	62-10984-00	Label, LVPS, Air Exchange	1
30	79-01934-00	Assembly, Slide	1

2.36 LABELS AND DECALS

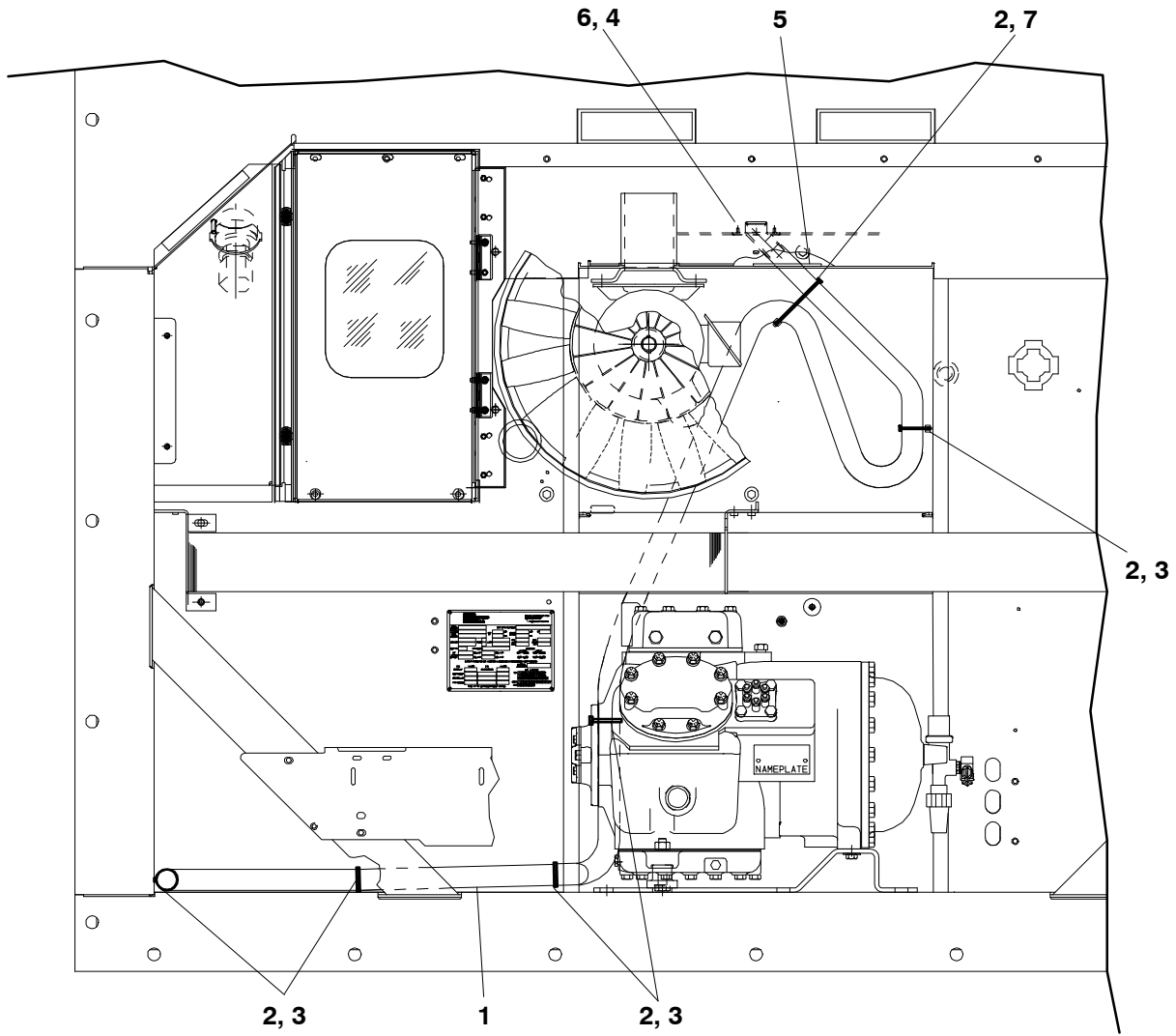


Item	Part Number	Description	Qty
STANDARD LABELS			
1	62-10769-00	Decal, Carrier THINLINE	1
2	69NT35-3867	Label, Economy Mode	1
3	69NT35-3907	Label, Humidity Control Sensor	1
4	62-02721-00	Label, Function Code - <i>English</i>	1
	62-02721-03	Label, Function Code, with Single Evaporator Fan Capability - <i>English</i>	1
5	62-10902-02	Label, USDA Cold Certified	1
	62-10902-03	Label, Micro-Link 3 with USDA Cold Certified	1
	62-10902-04	Label, Micro-Link 3 without USDA Cold Certified	1
6	62-02444-01	Label, Charge with R-134a	1
7	62-10259-00	Label, R-134a - Ozone Protection - <i>English</i>	1
	62-02530-01	Label, R-134a - Ozone Protection, Umbrella Only - <i>English</i>	1
8	62-02458-00	Label, POE Compressor Oil	1
9	69NT35-8218	Label, Equipped w/Crankcase Heater (CCH)	1
10	62-02785-00	Label, CE	1
NS	69NT35-6118	Label, USDA (Location - Back of Unit, top left side)	1
11	62-66081-00	Label, Warning Refrigerant, 134a	1

2.36 LABELS AND DECALS (Continued)

Item	Part Number	Description	Qty
OPTION 1 – ENGLISH			
12	62-02720-00	Label, Operating Instructions (Partlow w/ Return Air)	1
	62-02743-14	Label, Operating Instructions (Partlow w/ Supply Air)	1
	62-02743-16	Label, Operating Instructions (Electronic Partlow w/ Supply & Return Air)	1
	62-02743-12	Label, Operating Instructions (Saginomiya w/ Supply Air)	1
	62-02743-13	Label, Operating Instructions (Saginomiya w/ Return Air)	1
	62-02743-18	Label, Operating Instructions (No Recorder)	1
13	62-02723-00	Label, Fresh Air Makeup – <i>English</i>	1
	62-02723-03	Label, Fresh Air Makeup (w/ Full CMH) – <i>English</i>	1
	62-02723-10	Label, Fresh Air Makeup (w/ Full CMH + CFM) – <i>English</i>	1
14	62-10532-00	Label, Welding Precautions – <i>English</i>	1
OPTION 2 – ENGLISH/SPANISH			
12	62-02743-01	Label, Operating Instructions (Partlow w/ Return Air) – <i>English/Spanish</i>	1
	62-02743-10	Label, Operating Instructions (No Recorder)– <i>English/Spanish</i>	1
13	62-02723-02	Label, Fresh Air Makeup – <i>English/Spanish</i>	1
	62-02723-04	Label, Fresh Air Makeup (w/ Full CMH) – <i>English/Spanish</i>	1
14	62-10532-02	Label, Welding Precautions – <i>English/Spanish</i>	1
OPTION 3 – ENGLISH/FRENCH			
12	62-02743-00	Label, Operating Instructions (Partlow w/ return Air) – <i>English/French</i>	1
13	62-02723-01	Label, Fresh Air Makeup – <i>English/French</i>	1
14	62-10532-01	Label, Welding Precautions – <i>English/French</i>	1
OPTION 4 – ENGLISH/KOREAN			
12	62-02743-02	Label, Operating Instructions (Partlow w/ Return Air) – <i>English/Korean</i>	1
	62-02743-08	Label, Operating Instructions (Saginomiya w/ Return Air) – <i>English/Korean</i>	1
13	62-02723-03	Label, Fresh Air Makeup (w/ Full CMH) – <i>English</i>	1
14	62-10532-00	Label, Welding Precautions – <i>English</i>	1
OPTION 5 – ENGLISH/TRADITIONAL CHINESE			
12	62-02743-04	Label, Operating Instructions (Partlow w/ Return Air) – <i>English/Chinese</i>	1
	62-02743-07	Label, Operating Instructions (Saginomiya w/ Return Air) – <i>English/Chinese</i>	1
	62-02743-19	Label, Operating Instructions (Electronic Partlow w/ Supply & Return Air) – <i>English/Chinese</i>	1
13	62-02723-06	Label, Fresh Air Makeup – <i>English/Chinese</i>	1
14	62-10532-04	Label, Welding Precautions – <i>English/Chinese</i>	1
OPTION 6 – ENGLISH/SIMPLIFIED CHINESE			
12	62-02743-15	Label, Operating Instructions (Electronic Partlow w/ Supply & Return Air) – <i>English/Simplified Chinese</i>	1
	62-02743-04	Label, Operating Instructions (Partlow w/ Return Air) – <i>English/Simplified Chinese</i>	1
13	62-02723-05	Label, Fresh Air Makeup – <i>English/Simplified Chinese</i>	1
14	62-10532-03	Label, Welding Precautions – <i>English/Simplified Chinese</i>	1
OPTION 7 – ENGLISH/JAPANESE/CHINESE			
12	62-02743-09	Label, Operating Instructions (Saginomiya w/ Supply and Return Air) – <i>English/Japanese/Chinese</i>	1
	62-02743-17	Label, Operating Instructions (Electronic Partlow w/ Supply & Return Air) – <i>English/Japanese/Chinese</i>	1
13	62-02723-09	Label, Fresh Air Makeup – <i>English/Japanese/Chinese</i>	1
	62-02723-11	Label, Fresh Air Makeup – (w/ Shaded CMH) <i>English/Japanese/Chinese</i>	1
14	62-10532-06	Label, Welding Precautions – <i>English/Japanese/Chinese</i>	1

2.37 DRAIN

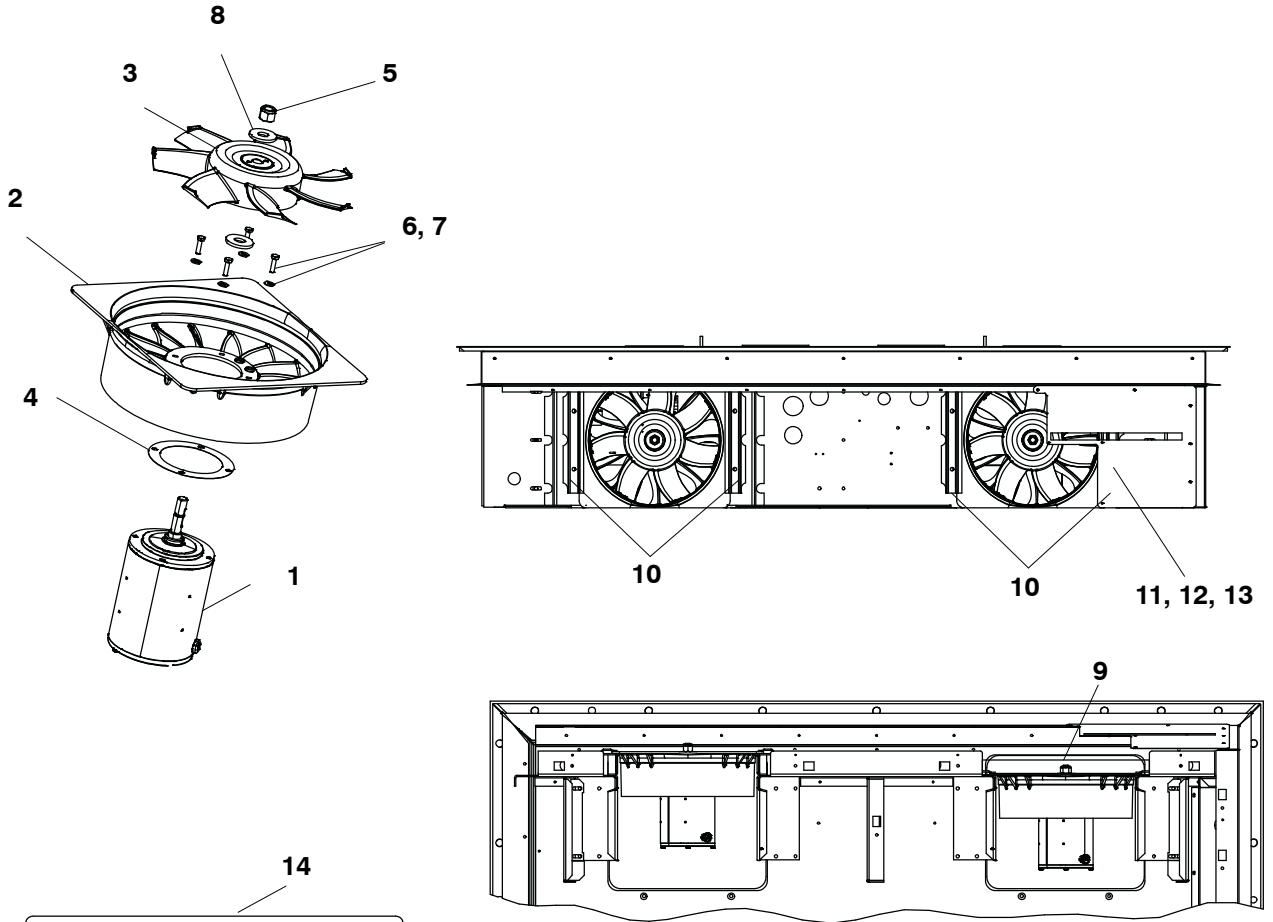


77-00946

Item	Part Number	Description	Qty
1	58-04539-03	Tube, Flexible, 104" Long	1
2	58-04316-00	Base, Mounting	6
3	66U1-3882	Wire Tie, 1/16, 1-3/4 Self-Locking	5
4	34-00980-56	Nut, Push On	2
5	42-00570-00	Gasket	1
6	58-04202-01	Fitting, Drain Tube 45 deg	1
7	66U1-3882-3	Wire Tie, 1/16 - 4 Self-Locking	1

77-00946-00

2.38 EVAPORATOR FAN ASSEMBLY, THREE-PHASE FAN MOTOR



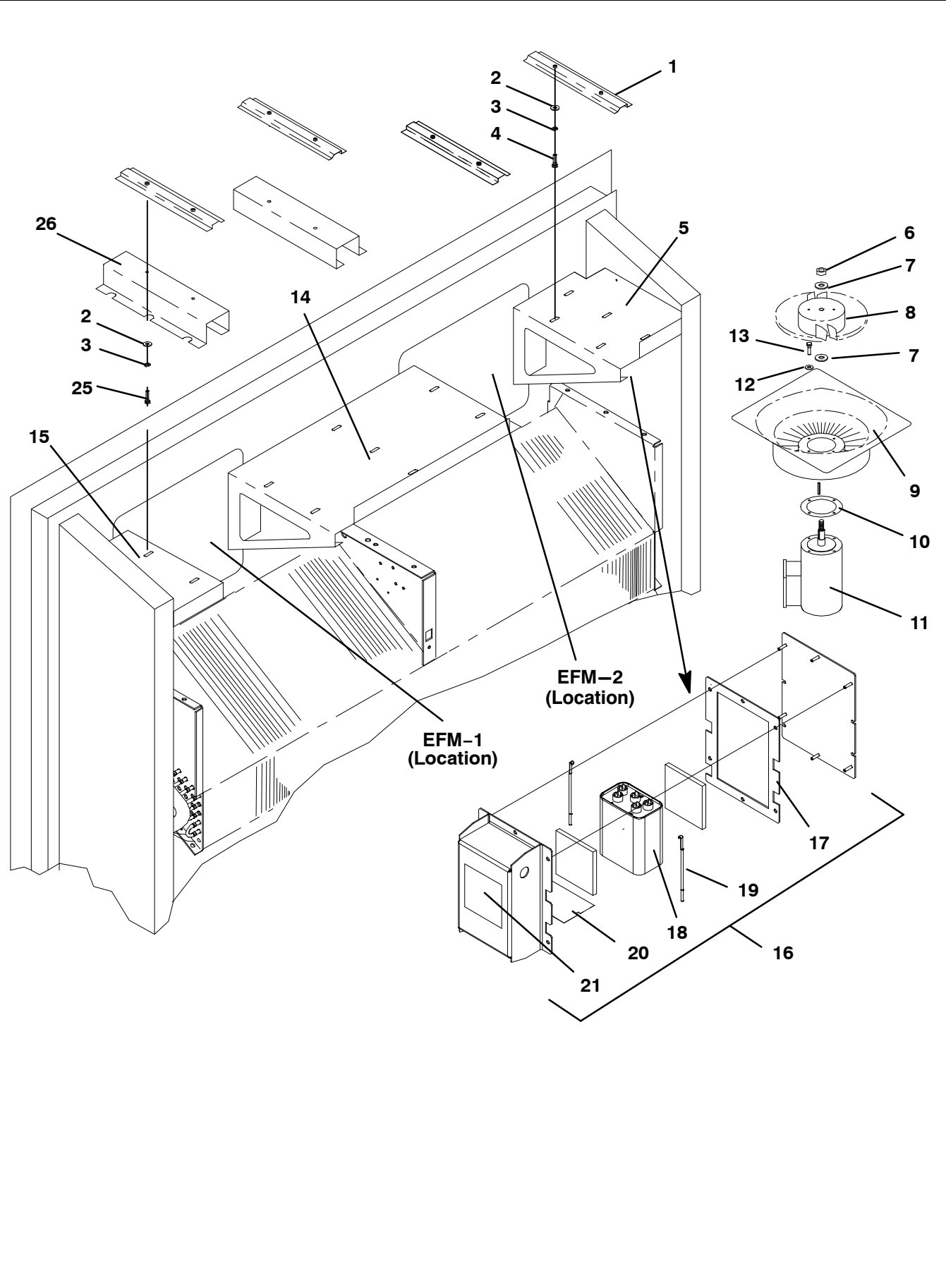
CAUTION
FOR REPLACEMENT MOTORS, USE 3 PHASE
MOTORS ONLY. DO NOT USE P/N: 54-00585

77-66667

Item	Part Number	Description	Qty
1	54-00648-20	Motor, Evaporator	2
2	48-00413-00	Stator	2
3	38-00599-00	Fan, Evaporator	2
4	58-04770-00	Protector	2
5	34-00795-17	Nut, Self Lock	2
6	34-06165-08	Screw, Cap Hex Head 1/4-20X1.00	8
7	66U1-5321-3	Washer, Plain 1/4	8
8	34-00616-06	Washer	4
9	66U1-2552-185	Gasket	1
10	69NT43-295	Bracket Assembly	4
11	34-00655-08	Screw, Cap Hex Head 1/4-20 X 1.00	4
12	34-00663-11	Washer, Lock 1/4	4
13	69NT35-2692-1	Washer, Fender 1/4	4
14	62-11602-00	Label Motor (See Label Kit)	2

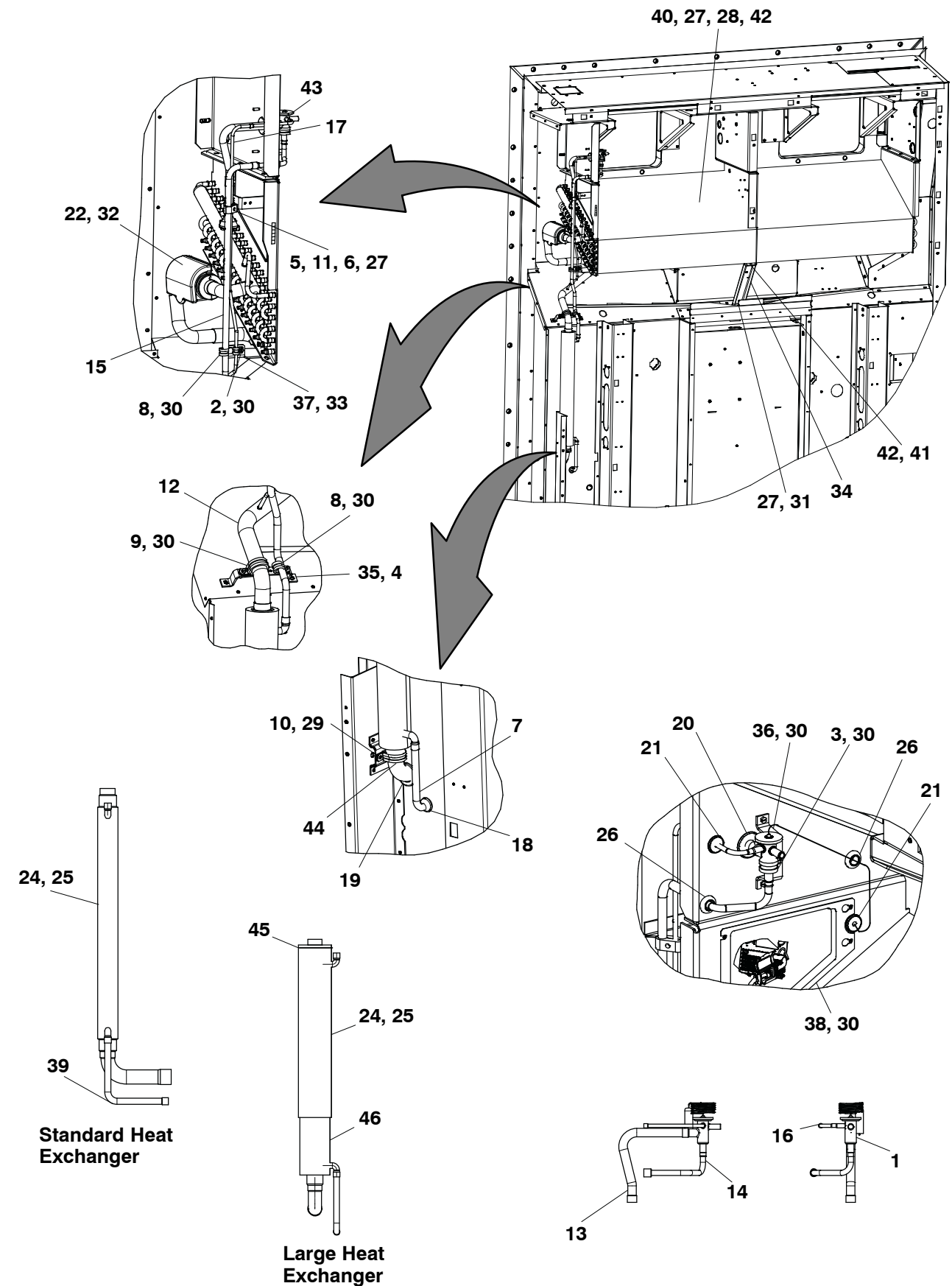
77-66667-00,01

2.39 EVAPORATOR FAN ASSEMBLY, SINGLE-PHASE FAN MOTOR



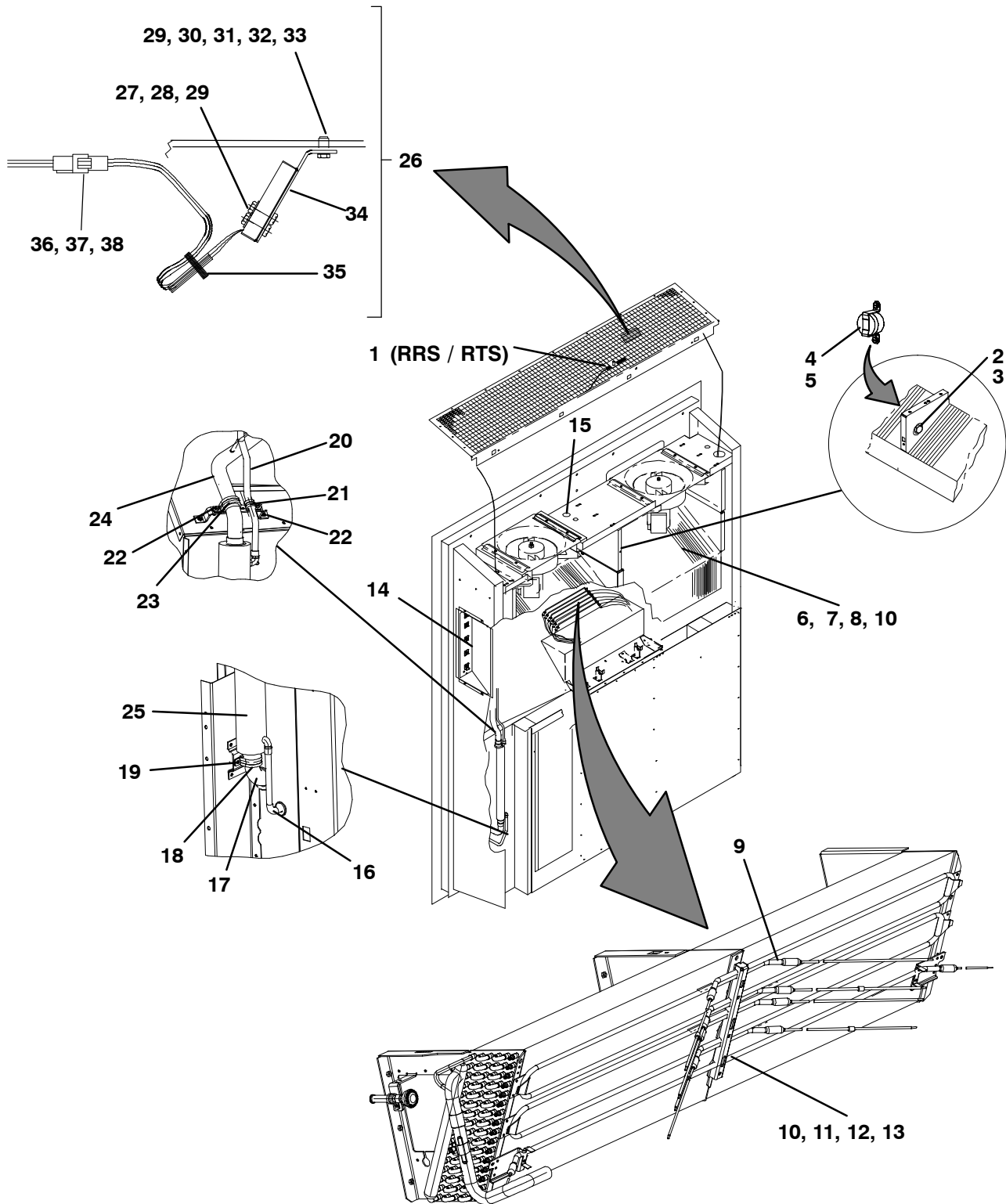
2.39 EVAPORATOR FAN ASSEMBLY, SINGLE-PHASE FAN MOTOR (Continued)			
Item	Part Number	Description	Qty
1	69NT43-295	Mounting Bracket, Evaporator Fan Assembly	4
2	69NT35-2692-1	Washer, Fender	8
3	34-00663-11	Washer, Lock, 1/4 - SST	8
4	34-06165-09	Screw, Hex Head, 1/4-20 x 1-1/4 lg. - SST	8
5	69NT43-284	Fan Deck, Right	1
6	34-00795-17	Nut, Self Locking, 5/8-18 - SST	2
7	34-00616-06	Washer, Special, 5/8 - SST	4
8	38-00557-00	Fan, Evaporator	2
9	48-00262-00	Stator, Evaporator	2
10	58-04066-00	Protector - Mylar	2
11	54-00585-20	Motor, Evaporator Fan - Includes:	2
NS	04-50027-00	Bearing, Front (Shaft End)	1
NS	22-50088-00	Capacitor (20 μ F) High Speed	1
NS	22-01613-34	Pin #16	1
12	66U1-5321-3	Washer, Flat, 1/4 - SST	8
13	34-06165-09	Screw, Hex Head, 1/4-20 x 1-1/8 lg. - SST	8
14	69NT43-285	Fan Deck, Center	1
15	69NT43-283	Fan Deck, Left	1
NS	22-01892-00	Plug Assembly, Motor (Located on Wire Harness) - Includes:	1
NS	22-01614-03	Plug	1
NS	22-01613-15	Contacts	A/R
NS	22-01892-01	Receptacle Assembly, Motor - Includes:	1
NS	22-01614-02	Receptacle	1
NS	22-01614-05	Strain Relief	1
NS	22-01613-14	Contacts	A/R
POWER FACTOR CORRECTION			
16	10-00421-01	Power Factor Correction Box Assembly - Includes:	1
17	42-00499-00	Gasket	1
18	10-00400-00	Capacitor Kit - Includes	1
NS	10-00400-01	Capacitor	1
NS	42-00457-00	Bumper	2
19	34-06215-01	J-Hook	2
20	58-04407-00	Protector, Mylar	1
21	62-10360-00	Label, Capacitor	1

2.40 EVAPORATOR TUBING



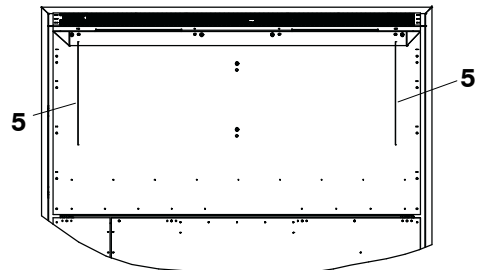
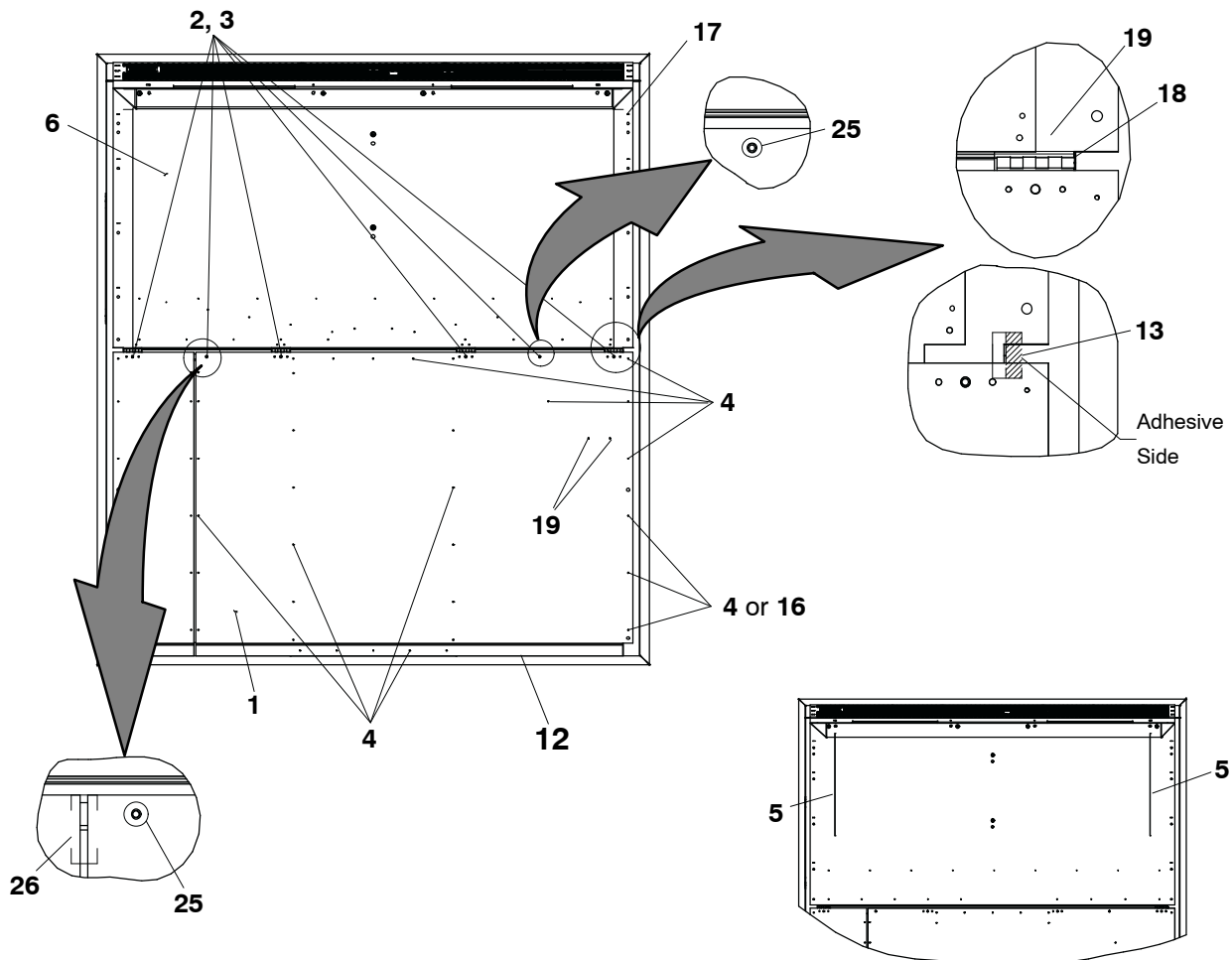
2.40 EVAPORATOR TUBING (Continued)			
Item	Part Number	Description	Qty
1	14-00273-08	TXV Valve, Expansion Hermetic, Liquid	1
2	34-00373-51	Clamp, Tube	1
3	34-00373-59	Clamp, Tube	1
4	34-00928-09	Rivet, Blind	2
5	34-00655-10	Screw, Hex Head 1/4-20 X 1.25	1
6	34-00667-11	Nut, Self Lock	1
7	42-00237-12	Insulation, Tube	1
8	44-00370-03	Clamp, Cushioned	2
9	44-00370-08	Clamp, Cushioned	1
10	44-00370-10	Clamp, Cushioned	1
11	44-01143-05	Clamp, Tube	1
12	56-08343-00	Tube	1
13	56-08345-00	Tube	1
14	56-08346-00	Tube	1
15	56-08347-00	Tube	1
16	56-08348-00	Tube	1
17	56-08349-00	Tube	1
18	58-00065-06	Grommet	1
19	58-00065-10	Grommet	1
20	58-00065-56	Grommet	1
21	58-00065-46	Grommet	2
22	58-04664-00	Insulation, Foam Formed, TXV Bulb	1
23	62-10980-00	Label TXV Bulb	1
24	65-00144-00	Heat Exchanger R134 Suction Line	1
25	42-01172-12	Insulation	1
26	66U1-1571-3	Grommet	2
27	66U1-5321-3	Washer, Plain 1/4 N Type A	12
28	66U1-5361-25	Screw, Hex Head 1/4-20 X 0.75	9
29	66U1-5371-6	Screw, Machine Hex Head #10-24 X 0.750	1
30	66U1-5381-1	Screw, Hex Head #10-24	12
31	66U1-7452-3	Screw, Lag 1/4-10 X 2.00 Hex Head	1
32	66U1-3882-3	Wire Tie	2
33	66U1-5381-3	Screw, Hex Head Sld #10-24	2
34	68-12319-00	Bracket, Support	1
35	68-15161-00	Bracket	1
36	68-15015-00	Bracket	1
37	68-14890-00	Bracket	1
38	68-14892-00	Plate, Cover	1
39	69NT35-4027-1	Tube	1
40	81-01925-01	Evaporator Coil Assembly With Varnish	1
41	AA06JA166	Screw, Cap Hex Head 1/4-20 X 0.50	1
42	34-00663-11	Washer, Lock 1/4 Spring	10
43	42-00032-14	Insulation	2
44	42-00032-15	Insulation	1
LARGE HEAT EXCHANGER			
24	65-00144-01	Heat Exchanger	1
45	66U1-3882	Wire Tie	1
46	42-00501-00	Insulation	1

2.41 EVAPORATOR COIL SECTION - REAR PANELS REMOVED

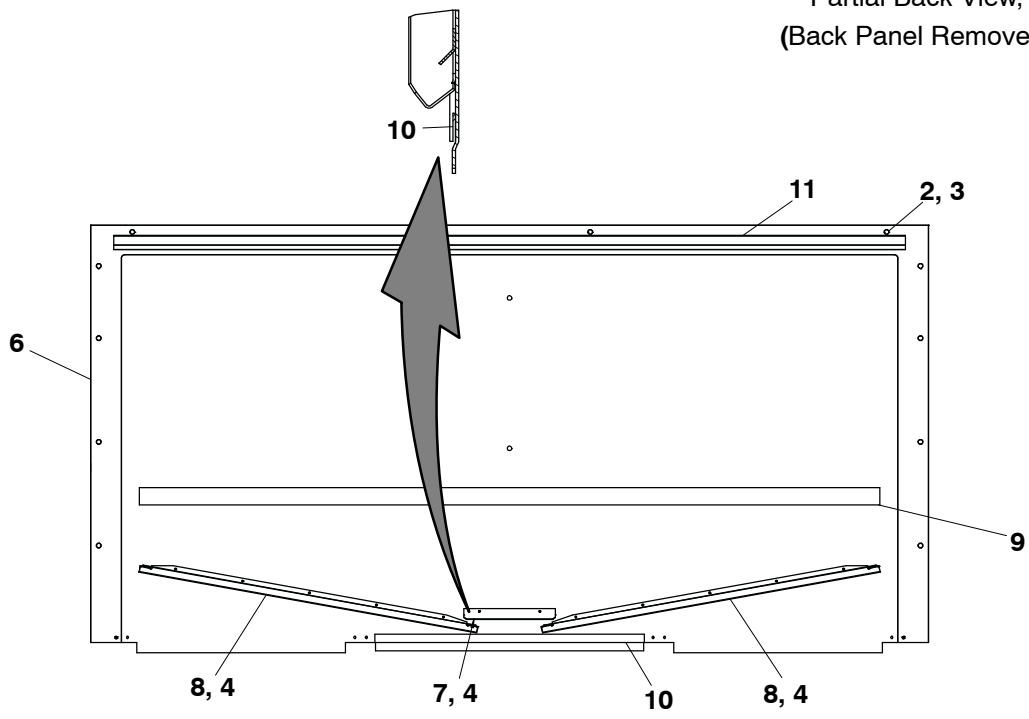


2.41 EVAPORATOR COIL SECTION – REAR PANELS REMOVED (Continued)			
Item	Part Number	Description	Qty
1	12-00500-01SV	Sensor Assembly (RRS / RTS)	1
2	12-00495-02SV	Sensor, Thermistor, Defrost (DTS)	1
3	34-01178-23	Screw, Hex Head, #8-32 x 3/4 lg. – SST (For mounting DTS)	3
4	66U1-6912-16	Thermostat, Heat Termination (HTT)	1
5	34-01178-22	Screw, Hex Head, #8-32 x 1/2 lg.	1
6	66U1-5361-25	Cap screw, Hex Head, 1/4-20 x 3/4 lg. – SST	9
7	81-01925-00	Coil, Evaporator w/o Varnish	1
	81-01925-01	Coil, Evaporator w Varnish	
8	66U1-5321-3	Washer, Plain 1/4N Type A	9
9	24-00006-02	Heater, Evaporator Coil	6
10	34-00663-11	Washer, Lock 1/4 Spring	12
11	69NT35-2692-1	Washer, Fender, 1/4 – SST	3
12	68-13600-00	Retainer	1
13	66U1-5371-13	Screw, Mach. HXHD 1/4-20 x 1.25 Lg	3
14	-	USDA Option – Refer to Section 2.9	-
NS	66U1-3803-1	Tube, Heat Shrink – 1/2 x 2-3/4 lg.	A/R
15	58-00616-00	Plug, Hole (2 inch diameter) (Located on Fan Deck)	1
16	69NT35-4027-1	Tube, Liquid Line	1
17	56-07323-00	Tube, Suction Line	1
18	44-00370-10	Clamp, Tube 1.25 Diameter	1
19	66U1-5371-6	Screw, Mach. Hex Head #10-24x.75 Sltd	1
20	56-08347-00	Tube, Liquid Line	1
21	44-00370-03	Clamp, Tube 0.50 Diameter	1
22	66U1-5381-1	Screw, TF Hex Head #10-24x.75 Thread Cutting	2
23	44-00370-08	Clamp, Tube 1.125 Diameter	1
24	56-08343-00	Tube, Suction Line	1
EVAPORATOR COIL WITH HERMETIC TXV and LARGE HEAT EXCHANGER			
25	65-00144-01	Heat Exchanger (Suction Line) Large	1
EVAPORATOR COIL WITH HERMETIC TXV and STANDARD HEAT EXCHANGER			
25	65-00144-00	Heat Exchanger (Suction Line) Standard	1
DEHUMIDIFICATION SYSTEM INSTALLED			
26	76-00675-02	Kit, Humidity Sensor – Includes:	-
27	12-00686-00SV	Sensor, Humidity (HS)	1
28	66U1-5371-10	Screw, Hex Head, #10-24 X 1.00, SST	4
29	66U1-5321-8	Washer, Flat, #10, SST	4
30	AU27JR131	Washer, Lock	2
31	34-06051-32	Rivnut, 10-24	2
32	66U1-5371-7	Screw, Machine, Hex Head 10-24 X 0.5	2
33	66U1-5321-7	Washer, Plain, 1/4 Type A	2
34	68-13181-01	Bracket Assembly, Humidity Sensor	1
35	66U1-3882	Wire Tie, 1/16-1-3/4, Self-Locking	1
36	22-01613-06	Plug, 3-Pin	1
37	22-01613-07	Lock, Secondary, 3-Pin	1
38	22-01613-15	Contact, Socket, #16	3

2.42 BACK PANEL ASSEMBLY



Partial Back View,
(Back Panel Removed)



77-00943

2.42 BACK PANEL ASSEMBLY (Continued)**OPTION 1 – BACK PANEL BOLTED, NO TIR RIVETS**

Item	Part Number	Description	Qty
1	68-13475-00	Panel, Back	1
2	69NT-35-2692	Washer, Fender	20
3	66U1-2403	Screw, Machine #10-24 X 0.500	20
4	34-00928-20	Rivet, Blind	47
5	66U1-2593-24	Gasket	2
6	68-13729-00	Panel Assembly Back Bolted	1
7	68-13728-00	Drain	1
8	68-13572-00	Channel	2
9	42-00174-34	Gasket	1
10	42-00174-35	Gasket	1
11	42-00334-00	Gasket	1
12	69NT-35-8658	Panel, Bottom	1
13	42-00174-56	Gasket	2

OPTION 2 – BACK PANEL BOLTED, WITH TIR RIVETS

1	68-13475-00	Panel, Back	1
2	69NT-35-2692	Washer, Fender	20
3	66U1-2403	Screw, Machine 10-24 X 0.500	20
4	34-00928-20	Rivet, Blind	47
5	66U1-2593-24	Gasket	2
6	68-13729-00	Panel Assembly, Back Bolted	1
7	68-13728-00	Drain	1
8	68-13572-00	Channel	2
9	42-00174-34	Gasket	1
10	42-00174-35	Gasket	1
11	42-00334-00	Gasket	1
12	69NT35-8658	Panel, Bottom	1
14	66U1-7982-2	Rivet, TIR	4
15	66U1-3882	Wire Tie	1

OPTION 3 – BACK PANEL BOLTED, SPECIAL

1	68-12881-00	Panel, Back	1
2	69NT35-2692	Washer, Fender 10-.993-1.015 OD	20
3	66U1-2403	Screw, Machine 10-24 X 0.500	20
4	34-00928-20	Rivet, Blind	44
5	66U1-2593-24	Gasket	2
6	68-13729-00	Panel Assembly, Back Bolted	1
7	68-13728-00	Drain	1
8	68-13572-00	Channel	2
9	42-00174-34	Gasket	1
10	42-00174-35	Gasket	1
11	42-00334-00	Gasket	1
12	69NT35-8658-1	Panel, Bottom	1
14	66U1-7982-2	Rivet, TIR	4
15	66U1-3882	Wire Tie	1
16	34-00928-04	Rivet, Blind	3

77-00943-00,01, 05

2.42 BACK PANEL ASSEMBLY (Continued)**OPTION 4 – BACK PANEL BOLTED, SPECIAL**

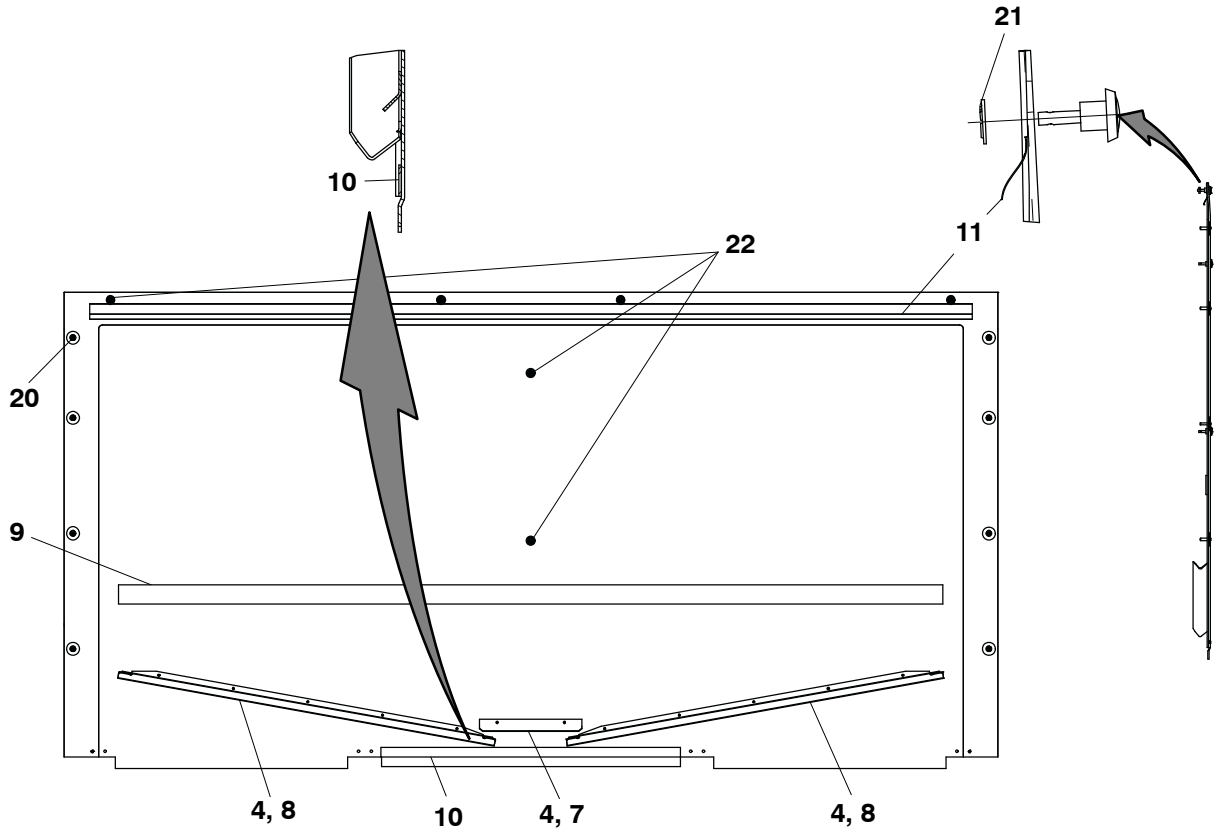
Item	Part Number	Description	Qty
1	68-13475-12	Panel, Back	1
2	69NT35-2692	Washer, Fender	20
3	66U1-2403	Screw, Machine 10-24 X 0.500	20
4	34-00928-20	Rivet, Blind	47
5	66U1-2593-24	Gasket	2
6	68-13729-00	Panel Assembly, Back Bolted	1
7	68-13728-00	Drain	1
8	68-13572-00	Channel	2
9	42-00174-34	Gasket	1
10	42-00174-35	Gasket	1
11	42-00334-00	Gasket	1
12	69NT35-8658	Panel, Bottom	1
14	66U1-7982-2	Rivet, TIR	4
15	66U1-3882	Wire Tie	1

OPTION 5 – BACK PANEL HINGED, PAINTED ALUMINUM

1	69NT35-6598	Panel, Back	1
4	34-00928-20	Rivet, Blind	47
5	66U1-2593-24	Gasket	2
6	76-00746-02	Panel Assembly Includes:	
	68-13729-05	Panel, Back	1
	68-13728-01	Drain	1
	68-13572-01	Channel	2
	34-00928-02	Rivet, Blind	12
	42-00174-34	Gasket	1
	42-00334-00	Gasket	1
	42-00174-35	Gasket	1
12	69NT35-8658	Panel, Bottom	1
17	34-01150-31	Receptacle	14
18	69NT35-3282	Hinge	4
19	34-00928-09	Rivet, Blind	16
20	34-01150-03	Stud, Captive	12
21	34-01150-30	Washer, Lock 1/4	14
22	34-01150-06	Stud, Captive	2
23	34-00928-01	Rivet, Blind	17
24	66U1-5321-5	Washer, Plain 3/8	8

77-00943-15,06

2.42 BACK PANEL ASSEMBLY (Continued)



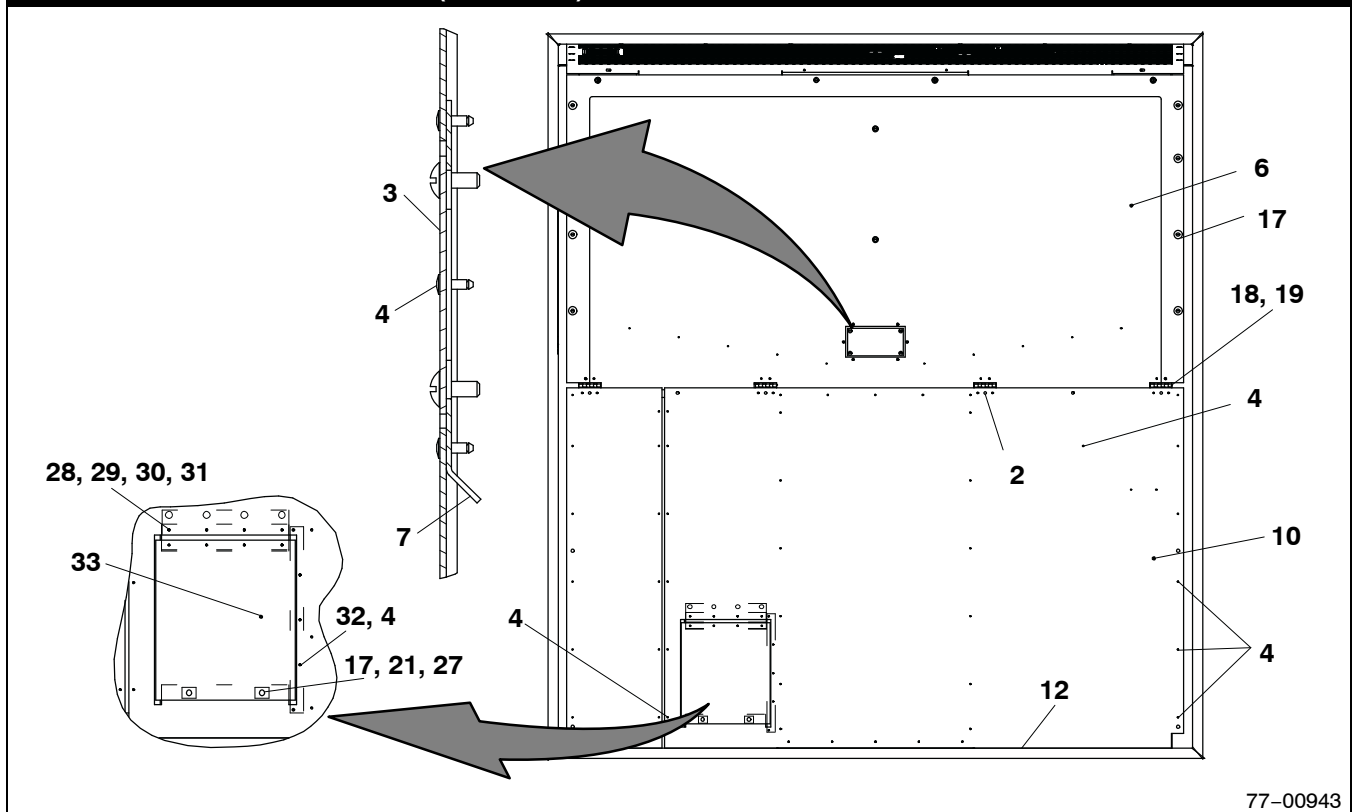
77-00943

2.42 BACK PANEL ASSEMBLY (Continued)**OPTION 6 – BACK PANEL HINGED, PAINTED ALUMINUM**

Item	Part Number	Description	Qty
1	68-13475-00	Panel, Back .080 Thick Aluminum (Ptd)	1
4	34-00928-20	Rivet, Blind .125 Diameter .126-.250	47
5	66U1-2593-24	Gasket "V" Type 20.48 Long	2
6	76-00746-01	Panel Assembly Includes:	1
	68-13729-02	Panel, Back	1
	68-13728-00	Drain	1
	68-13572-00	Channel	2
	34-00928-02	Rivet, Blind	12
	42-00174-34	Gasket	1
	42-00334-00	Gasket	1
	42-00174-35	Gasket	1
11	42-00334-00	Gasket 1.22 X 68.75 V-Type	1
12	69NT-35-8658	Panel, Bottom .040 Thick Aluminum	1
17	34-01150-31	Receptacle 1/4 Turn Fastener	14
18	69NT-35-3282	Hinge	4
19	34-00928-09	Rivet, Blind .156 Diameter .126-.250	18
20	34-01150-03	Stud, Captive .94 1/4 Turn Fastener	8
21	34-01150-30	Washer, Lock 1/4 Turn Fastener	14
22	34-01150-06	Stud,Captive 1.03 1/4 Turn Fastener	6
25	02-00078-00	Tape .75 Diameter Psa Backed	4
26	42-00174-64	Gasket .06T X 1.5W X 3.00L	1

77-00943-03

2.42 BACK PANEL ASSEMBLY (Continued)



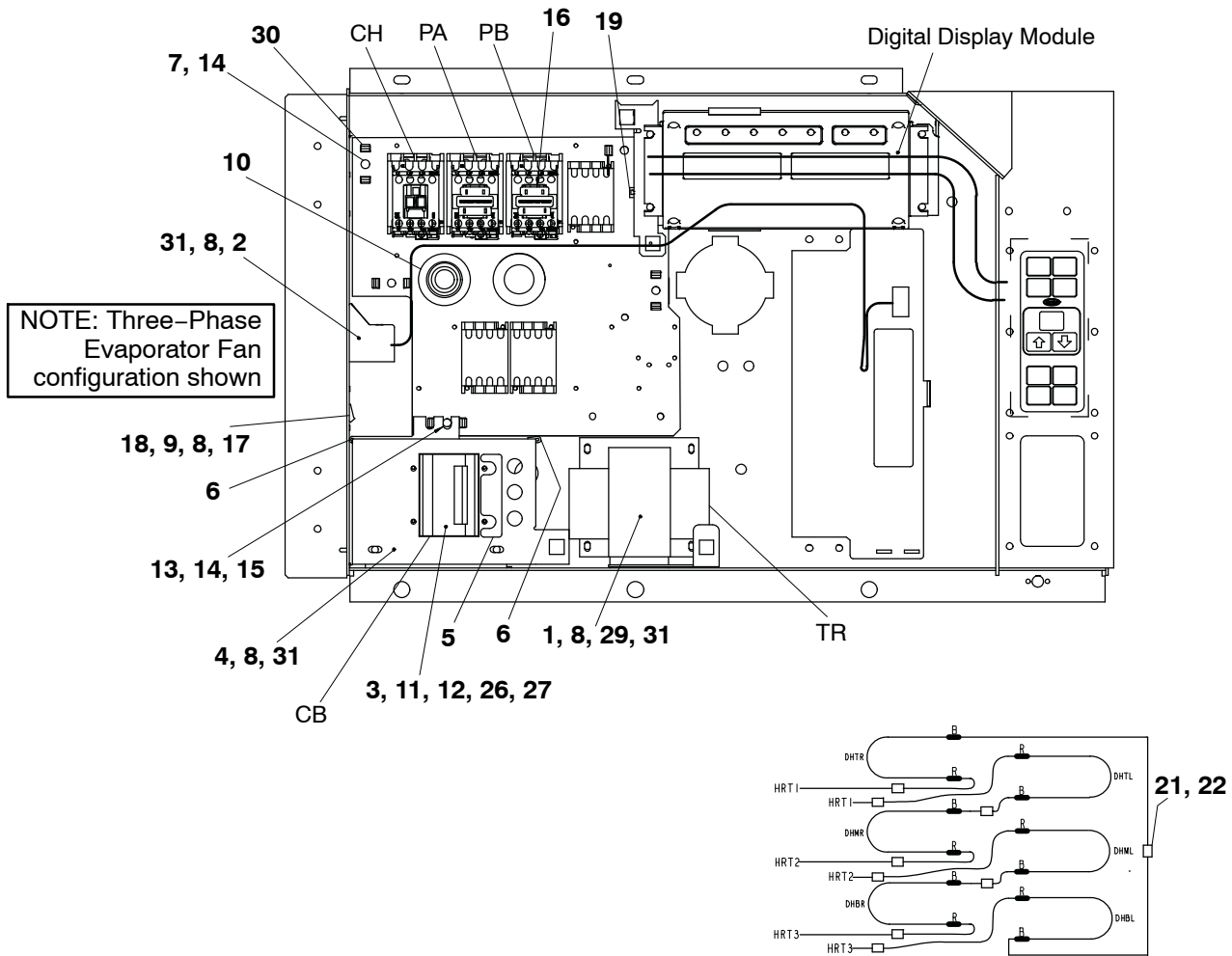
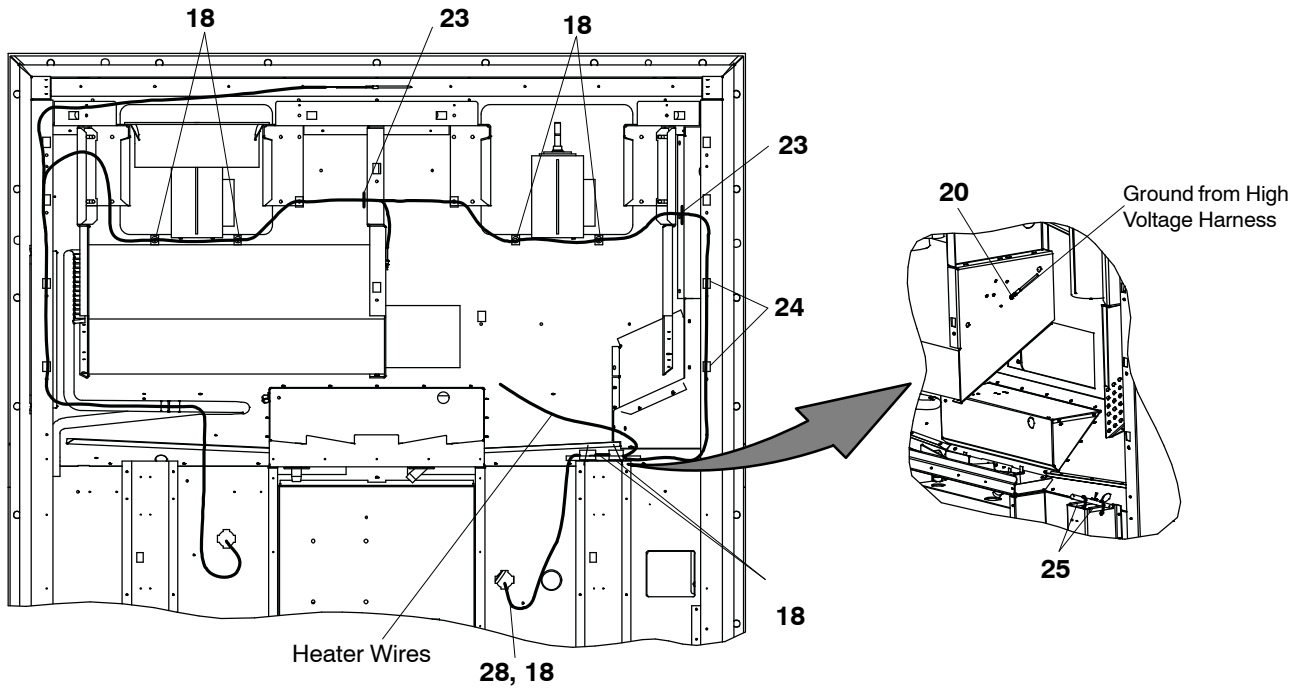
77-00943

OPTION 7 - BACK PANEL HINGED, SPECIAL

1	68-13475-04	Panel, Back	1
2	69NT35-2692	Washer, Fender	4
4	34-00928-20	Rivet, Blind	68
5	66U1-2593-24	Gasket	2
6	69NT41-942-9	Panel Assembly Includes:	1
	68-13729-06	Panel, Back	1
	68-13572-00	Channel	2
	68-14124-00	Gutter	1
	68-13729-07	Panel, Back	1
	66U1-2403	Screw, Machine 10-24 X 0.500	4
	34-00928-02	Rivet, Blind	16
	42-00174-34	Gasket	1
	42-00174-35	Gasket	1
	42-00334-00	Gasket	1
12	69NT35-8658	Panel, Bottom	1
17	34-01150-31	Receptacle	16
18	69NT35-3282	Hinge	4
19	34-00928-09	Rivet, Blind	16
20	34-01150-03	Stud, Captive	8
21	34-01150-30	Washer, Lock	16
27	34-01150-04	Stud, Captive	2
28	34-00928-04	Rivet, Blind	8
29	66U1-2803-10	Hinge	1
30	69NT35-7662-3	Spacer, Hinge	1
31	69NT35-3286	Plate	1
32	69NT35-3296	Plate	1
33	68-13475-05	Door, Access	1

77-00943-14

2.43 WIRING ASSEMBLY



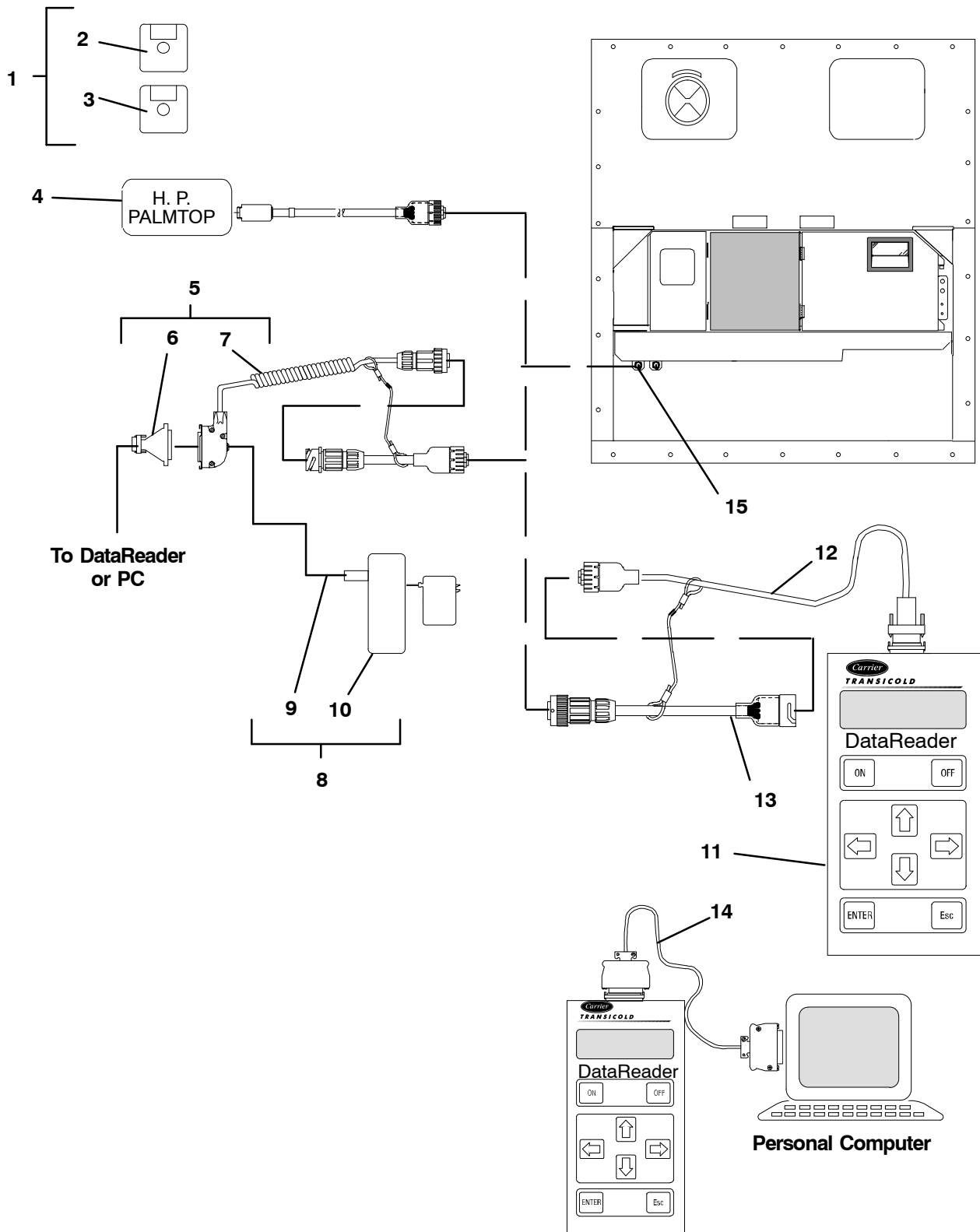
NOTE: Three-Phase Evaporator Fan configuration shown

2.43 WIRING ASSEMBLY (Continued)			
Item	Part Number	Description	Qty
1	10-00332-06	Transformer Base Unit	1
2	10-00439-02	Transformer Current MI3	1
3	66U1-7842-12	Circuit Breaker	1
4	69NT35-6278	Bracket	1
5	69NT35-9073-1	Label CB1	1
6	66CH1-1172-52	Trim, Flexible 4.00 Long	2
7	34-00655-08	Screw, Cap Hex Head 1/4-20 X 1.00	4
8	66U1-5371-7	Screw, Machine Hex Head #10-24 X 0.500	11
9	34-00663-09	Washer, Lock #10 Spring	1
10	22-02302-03	Connector	1
11	66U1-6651-19	Screw, Machine Pan Head #6-32	4
12	34-00663-07	Washer, Lock #6 Spring	4
13	34-00655-10	Screw, Cap Hex Head 1/4-20 X 1.25	1
14	66U1-5321-7	Washer, Plain 1/4 W Type A	5
15	34-06053-13	Washer	1
16	10-00431-11	Contactoer Cover	2
17	58-04246-00	Ty-Rap Base (#10) Mounting Tab	1
18	66U1-3882	Wire Tie	49
19	58-04316-00	Base, Mounting	1
20	34-01178-22	Screw, Hex Head #8-32 X 0.50	1
21	66U1-3803	Tube Heat Shrink	9
22	22-01292-02	Butt Splice	9
23	58-04273-00	Grommet	2
24	44-00361-00	Clip, Retaining	2
25	66CH1-1172-67	Trim, Flexible	2
26	66U1-7842-6	Nut, Hex 10-32	6
27	66U1-7842-7	Washer, Flat #10-32	12
28	58-04315-00	Base, Mounting	1
29	58-00848-23	Tube, Slit 1/2 ID X 8 Lg Corr	1
30	58-00967-00	Spacer Locking	5
31	66U1-5321-8	Washer, Plain #10 Type A	10
32	NS	High Voltage Wire Harness: Contact Carrier Replacement Components Group with Unit PID	1
33	NS	Low Voltage Wire Harness: Contact Carrier Replacement Components Group with Unit PID	1

77-66626-00

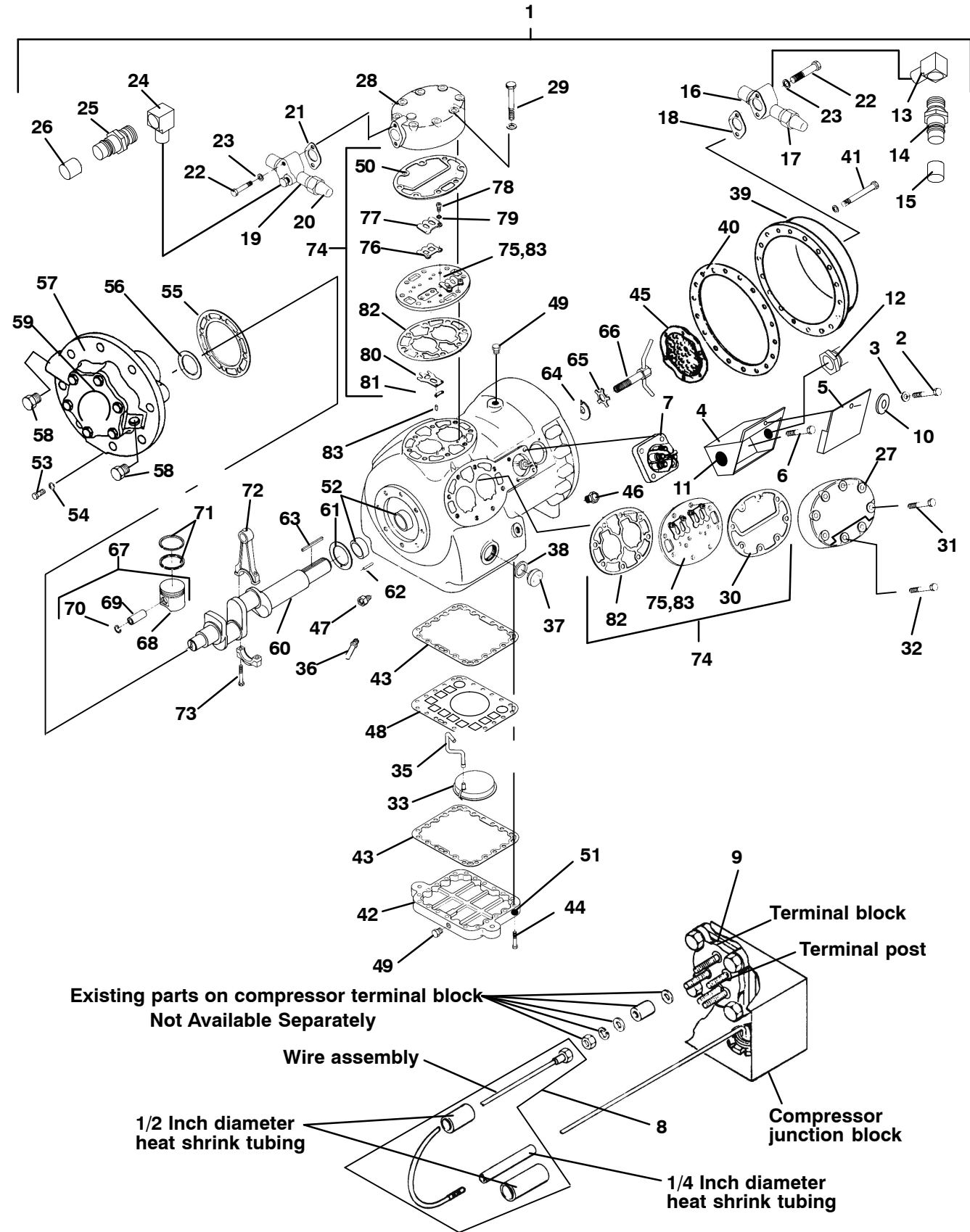
3 INTERROGATOR AND ACCESSORIES

3.1 DATAVIEW/DATAREADER



3.1 DATAVIEW/DATAREADER (Continued)			
Item	Part Number	Description	Qty
1	07-00406-00	Disk Kit, DataView (SEE NOTE) – Includes:	1
2	12-00413-05SV	Software, DataView NSS	1
3	12-00528-00	Software, DataView (Scroll) NSS	1
4	22-01737-02	Cable, H. P. Palmtop	1
5	76-50059-00	Kit, Cable, with Adapter – Includes:	1
6	22-02418-02	Cable, Interrogator	1
7	22-02420-00	Adapter	1
8	76-50058-00	Kit, Battery, with Cable – Includes:	1
9	NSS	Battery, External, with Battery Charger	1
10	22-02401-00	Cable	1
11	No Longer Offered	DataReader	1
12	22-01737-00	Cable, Download	1
13	22-01737-01	Cable, Adapter	1
14	22-01743-00	Cable, Upload	1
15	–	Receptacle – Refer to section 2.18	–

4 COMPRESSOR ASSEMBLY



4.1 OPTION 1R – SERVICE REPLACEMENT COMPRESSOR			
Item	Part Number	Description	Qty
1	18-00055-20SV	Compressor, 41 CFM, Single Speed , 460 vac/3 ph/60 hz	1
NS	07-00292-00	SW20 Compressor Oil, Castrol Icematic (Quart)	4
NOTE			
Replacement Compressor is sold without terminal box and cover, and without shut-off valves. Customer should retain the original terminal box and valves for use on replacement compressor.			
4.2 TERMINAL MOUNTING AND JUNCTION BOX GROUP			
2	66U1-5371-7	Screw, Hex Head, #10-24 x 1/2 lg. (cover to box) – SST	2
3	66U1-5321-8	Washer, Flat, #10 (cover to box) – SST	2
4	69NT20-513-1S V	Box, Junction (Located on Front of Compressor) – Includes:	1
4	69NT20-513SV	Box, Junction (Located on Back of 230/460v Compressor) – Includes:	1
5	69NT20-2083	Cover, Junction Box	1
6	AD61JA124	Screw, Pan Head, #10-32 x 3/8 lg. (box to compressor)	4
7	17-40093-06	Terminal, Compressor (5 Terminals)	1
7	17-40093-05	Terminal, Compressor (6 Terminals)	1
8	76-00355-00	Kit, Compressor Terminal Wiring (Single Voltage)	1
NS	76-00384-00	Kit, Compressor Terminal Wiring (Dual Voltage or Single Voltage)	1
9	17-40075-05	Gasket, Terminal Plate – Fiber	1
	17-44128-00	Gasket, Terminal Plate – Coated Steel	1
10	34-06053-05	Washer, Mylar, 0.205 ID x 0.600 OD	2
11	66U1-5562-7	Plug, 1-1/4 Diameter – Plastic	A/R
12	22-02302-03	Connector, 3/4 Conduit	A/R
4.3 SERVICE VALVE GROUP			
13	40-00523-00	Elbow, M13 x M13 – Brass	1
14	40-00520-00	Coupling, M13 – Brass – Includes:	1
15	40-00520-02	Cap, Service Port	1
16	14-00206-00	Valve, Suction Shut-Off, 1-1/8 ODS	1
17	17-10812-00	Cap, Seal	1
18	17-10811-05	Gasket, Suction Service Valve	1
19	14-00206-01	Valve, Discharge Shut-Off, 7/8 ODS	1
20	17-10812-00	Cap, Seal	1
21	17-10811-05	Gasket, Discharge Service Valve	1
22	66U1-5361-46	Bolt, Hex Head, 5/16-18 x 1-7/8 lg. – SST	2
23	17-40013-00	Gasket, Bolt, 5/16	2
24	40-00523-01	Elbow, M15 x M15 – Brass	1
25	40-00520-01	Coupling, M15 – Brass – Includes:	1
26	40-00520-03	Cap, Service Port	1
4.4 COMPRESSOR – MOTOR BODY GROUP			
NS	-	Gasket Set (Refer to Section 4.8)	
27	17-21040-00	Head, Cylinder – Side Bank (Shaved Head)	2
28	17-40016-01	Head, Cylinder – Center Bank	1
29	17-40018-05	Screw, Hex Head – Center Head, 3/8-16 x 3.00 lg. – SAE Grade 5	8
30	17-44124-00	Gasket, Cylinder Head (Side Bank) – Coated Steel	3
31	17-40034-05	Screw, Hex Head, 3/8-16 x 2.00 lg. – SAE Grade 5	12
32	17-40037-05	Screw, Hex Head, 3/8-16 x 1.00 lg. – SAE Grade 5	4
33	17-40020-00	Screen Assembly, Oil Filter	1

4.4 COMPRESSOR – MOTOR BODY GROUP (Continued)

Item	Part Number	Description	Qty
34	17-40007-00	Gasket, Bolt, 1/2	4
35	17-21062-00	Tube, Oil Suction	1
36	17-44763-00	Orifice, Oil Relief	1
37	17-21201-00SV	Sight Glass Package, Oil Level – Includes:	1
38	17-44021-00	Gasket, Sight Glass – Coated Steel	1
39	17-20004-00	Cover, Motor End	1
40	17-40029-05	Gasket, Motor End Cover – Fiber	1
40	17-44136-00	Gasket, Motor End Cover – Coated Steel	1
41	PL	Screw, Hex Head, 7/16-14 x 1-1/4 lg. – SAE Grade 5	18
42	17-40032-00	Plate, Bottom	1
43	17-40033-05	Gasket, Bottom Plate – Fiber	2
43	17-44129-00	Gasket, Bottom Plate – Coated Steel	2
44	17-40034-05	Screw, Hex Head, 3/8-16 x 2.00 lg. – SAE Grade 5	22
45	17-20005-00	Strainer Assembly, Suction	1
46	PL	Plug, Pipe, Oil Fill, 1/4	1
47	17-40042-00	Check Valve Assembly, Oil Return	1
48	17-21063-00	Plate, Screen Hold Down	1
49	PL	Pipe Plug (High & Low Pressure Connection and Oil Drain), 1/4-18 NPT	3
50	17-44123-00	Gasket, Cylinder Head (Center Bank)	1
51	-	Heater, Crankcase – See section 2.20	1
52	17-40025-00	Bushing, Motor End	2

4.5 PUMP END GROUP

53	17-40037-05	Screw, Hex Head, Bearing Head, 3/8-16 x 1.00 lg. – SAE Grade 5	8
54	17-40019-00	Gasket, Capscrew, 3/8	8
55	17-44022-00	Gasket, Cover Plate – Coated Steel	1
56	17-55009-01	Washer, Thrust	1
57	17-44137-00	Bearing Head & Low Profile Oil Pump Package – Includes:	1
58	17-44037-00	Plug, Oil Pump (Includes O-ring)	2
59	17-44139-00	Seal, O-ring	1

4.6 CRANKSHAFT, ROD AND PISTON GROUP

60	17-40411-00	Crankshaft	1
61	17-40050-00	Washer, Thrust	1
62	17-40048-00	Pin, Spiral, 5/32 Diameter x 5/8 lg.	2
63	34-01110-00	Key, Rotor Drive	1
64	17-21075-00	Washer, Rotor	1
65	17-21076-00	Washer, Star, Rotor, 5/8	1
66	17-21077-00	Tube Assembly, Equalizer	1
67	17-44115-01	Piston & Pin Pkg (Standard) – Includes:	6
67	17-44115-20	Piston & Pin Pkg (+0.020) – Includes:	A/R
68	NSS	Piston	1
69	17-40052-00	Pin, Piston	1
70	17-40053-00	Retainer, Piston Pin	2
71	17-40055-00	Ring, Compression (Standard)	12
71	17-55025-00	Ring, Compression (+0.020)	12
72	17-40056-02	Connecting Rod and Cap Assembly (Standard) – Includes:	6
72	17-55023-00	Connecting Rod and Cap Assembly (+0.010) – Includes:	6

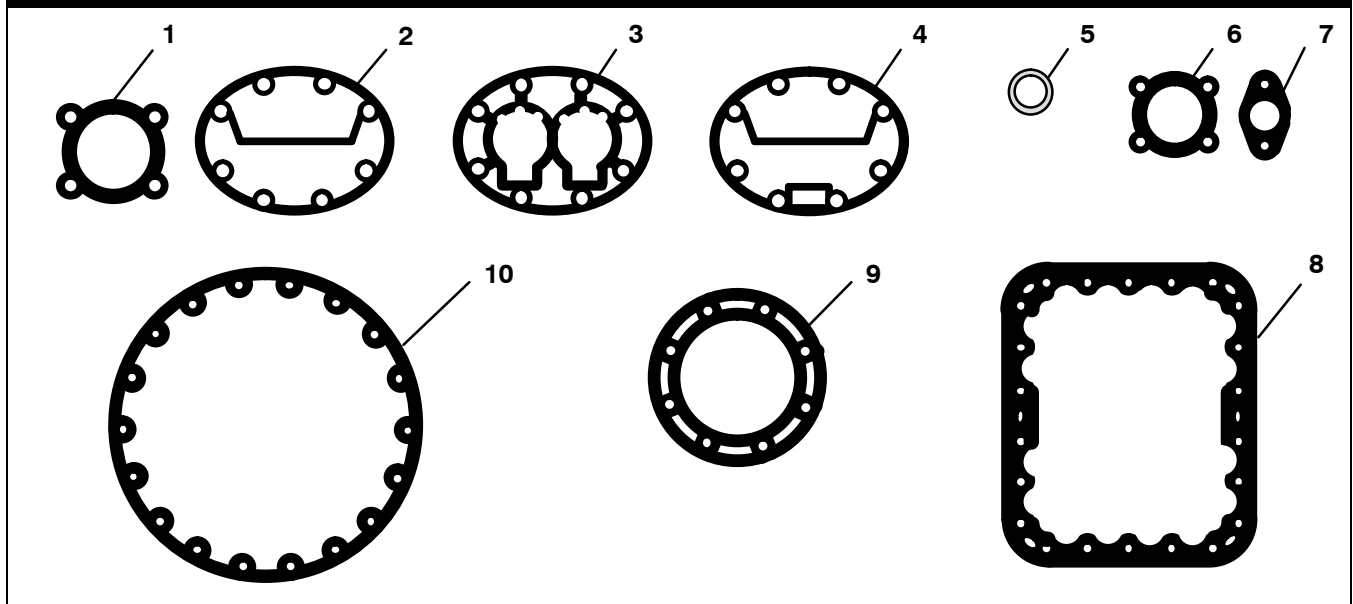
4.6 CRANKSHAFT, ROD AND PISTON GROUP – Continued

Item	Part Number	Description	Qty
NS	17-40057-00	Pin, Dowel	2
73	17-55008-00	Capscrew – Special (Epoxy Coated)	2

4.7 VALVE PLATE GROUP

74	17-44109-00	Package, Valve Plate Assembly (All Banks – Canted) – Includes:	3
NS	NSS	Plate Assembly, Valve – Includes:	1
75	NSS	Plate, Valve	1
76	17-40086-00	Valve, Discharge	2
77	17-44160-00	Backer, Discharge Valve Stop	2
78	17-44113-00	Screw, Hex Head, 1/4-28 x 3/8 lg.	4
79	17-10715-00	Washer, Lock, 1/4	4
80	17-40082-00	Valve, Suction	2
81	17-40083-00	Spring, Suction Valve Positioning	2
30	17-44124-00	Gasket, Cylinder Head (Side Bank) – Coated Steel	1
50	17-44123-00	Gasket, Cylinder Head (Center Bank) – Coated Steel	1
82	17-55002-00	Gasket, Valve Plate	1
83	17-40057-00	Pin, Dowel (Valve Plate)	12

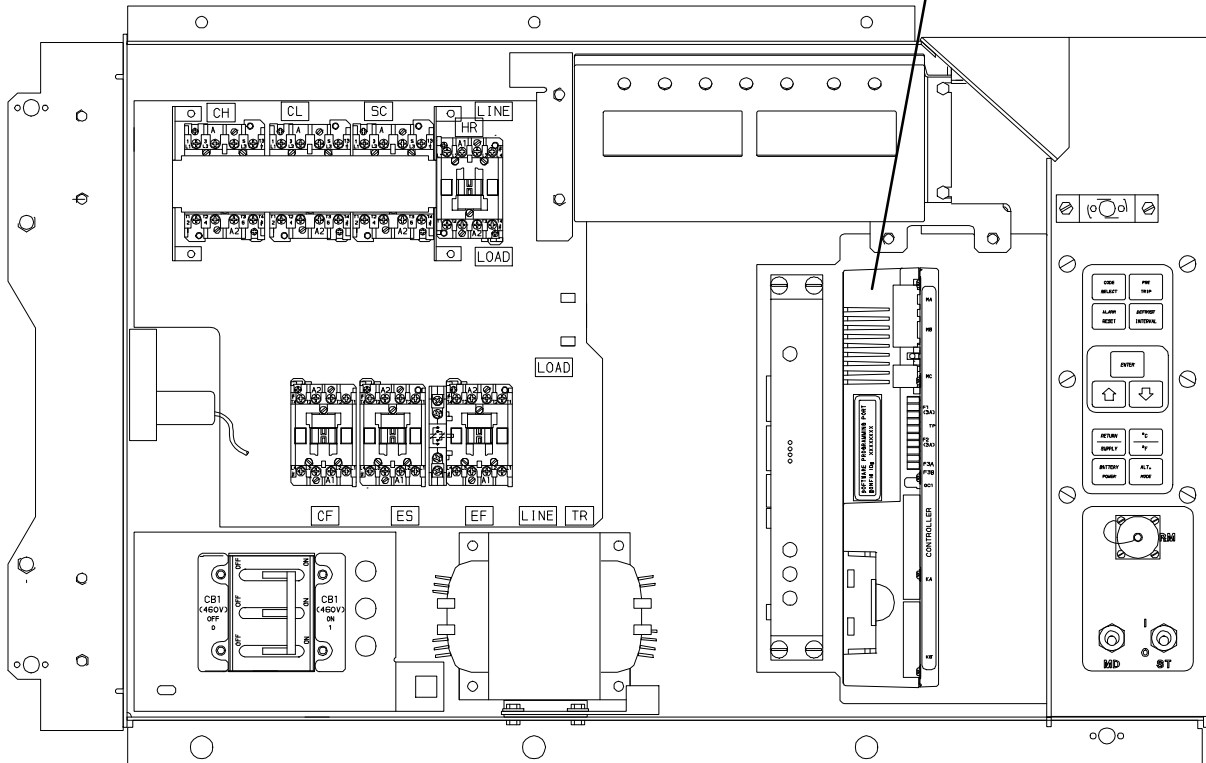
4.8 GASKET SET



Item	Part Number	Description	Qty
-	17-55020-21	Gasket Set – Includes:	1
1	17-40005-05	Gasket, Suction Service Valve (4 Bolt)	1
2	17-44124-00	Gasket, Cylinder Head – Side Bank (Standard)	2
3	17-55002-00	Gasket, Valve Plate	3
4	17-44123-00	Gasket, Cylinder Head – Center Bank	1
5	17-44021-00	Gasket, Sight Glass	2
6	17-40075-05	Gasket, Oil Pump Cover	2
7	17-10811-05	Gasket, Service Valve (2 Bolt)	2
8	17-40033-05	Gasket, Bottom Plate	2
9	17-44022-00	Gasket, Pump End Bearing Head	1
10	17-40029-05	Gasket, Motor End Cover	1

5 CONTROLLER/DATACORDER CONFIGURATION

Controller/DataCORDER Module



Part Number	Description	Qty
12-55008	Controller – Un-Configured (See Note 1)	1
See Note 2	Controller – Configured (Container Unit Matrix)	1

NOTES

1. The last four digits of the Part Number is the operation software revision.
2. The Controller/DataCORDER module is shipped with the operational software already loaded, however, when ordering this part number the end user must load the configuration software at the time of installation.

6 TOOLS	
PART NO.	DESCRIPTION
07-00013-00	Temperature Tester (Simpson Meter)
07-00013-01	Temperature Test Lead (15 Foot)
07-00013-02	Temperature Test Lead (50 Foot)
07-00013-03	Adapter, Male (Both Ends) (Use with Temperature Tester)
07-00015-00	Case, Carrying (Used with 07-00013-00)
07-00450-00	Wrench, Compressor Sight Glass
07-00437-00	Inspection Light with Mirror
07-00228-00	Volt-Ohmmeter, Digital
07-00229-00	Amprobe Clamp (Used with 07-00228-00)
07-00238-00	Wrench, Service Valve
07-00243-10	Multimeter, Digital (Fluke)
07-00263-00	Pliers, Crimping (Used for compressor terminal block replacement)
07-00264-00	Grip, Wire Vise (Used for compressor terminal block replacement)
07-00277-00	Kit, Static Dissipative (Used for working on electronic components)
07-00304-00	Ground Strap, Wrist (Used for working on electronic components)
07-00294-00	Gauge Set, Manifold - Fahrenheit/PSI
07-00294-05	Gauge Set, Manifold - Centigrade/KPa
07-00295-00	Detector, Leak
07-00397-03	Extractor, Pin (Used on Fan Motor Plugs and Interrogator Plugs)
07-00397-02	Crimper, Pin (Used on Fan Motor Plugs and Interrogator Plugs)
07-00329-00	Extractor, Pin (Used on Controller module connectors)
07-00330-00	Crimper, Pin (Used on Controller module connectors)
07-00370-00	Crimper, Pin (Used on Stepper Valve, HPS)
07-00387-00	Extractor, Pin (Used on Stepper Valve, HPS)
07-00375-00	Tester, Portable, Stepper Motor Drive
07-00391-00	Application Gun (Used with 07-00390-00)
07-00398-00	Software Card Programmer
07-00408-00	Stepper Jumper Assembly
07-00418-00	Torx Driver Bit
Refer to Manual 62-03213	

PART NAME INDEX

B

Battery Pack, 33
Battery Pack, Rechargeable, 33
Battery, Real Time Clock, 33

C

Card, Controller/DataCORDER, 33
Coil, Condenser, 55
Coil, Evaporator, 81
Compressor, 40, 95
Compressor, Base, 41
Condenser, Water Cooled, 50
Contactor, 12 Amp, 28, 31
Contactor, 30 Amp, 28
Control Box Mount Interrogator Receptacle, 37
Crankcase Heater, 41

F

Fan, Condenser, 55
Fan, Evaporator, 77, 79
Filter-Drier, 49, 51

G

Gauge, Discharge Pressure, 43
Gauge, Suction Pressure, 43

H

Heat Exchanger, 81, 83

M

Module, Controller/DataCORDER, 33
Module, LCD Display, 35
Module, LED Display, 35
Motor, Condenser, 55

Motor, Evaporator, 77, 79

R

Receiver, 49

S

Sensor Assembly (RRS / RTS), 83
Sensor Assembly (STS & SRS), 53
Sensor, Ambient Thermistor (AMBS), 49, 51
Sensor, Carbon Dioxide, 9, 11
Sensor, Humidity (HS), 83
Sensor, Thermistor (CPDS), 47
Sensor, Thermistor (CPSS), 47
Sensor, Thermistor, Defrost (DTS), 83
Switch, High Pressure, 43

T

Thermoport, 71
Thermostat, Heat Termination (HTT), 83
Transducer, Condenser Pressure (CPT), 49
Transducer, Pressure, 43

V

Valve, Discharge Pressure Regulator (DPRV), 47
Valve, Quench, TXV, 49
Valve, Service, Liquid Line, 49
Valve, Service, Suction, 45
Valve, SMV, 45
Valve, Stepper Motor, 47
Valve, TXV, 81

W

Wire Harness, High Voltage, 91
Wire Harness, Low Voltage, 91

PART NUMBER INDEX

PARTNO.	PAGENO.	PARTNO.	PAGENO.	PARTNO.	PAGENO.
0					
02-00078-00	88	07-00437-00	99	12-00474-00	61
02-00086-00	41	07-00450-00	99	12-00495-02SV	49, 51, 83
04-50027-00	79	09-00375-00	33	12-00500-01SV	83
04-50029-00	55			12-00528-00	93
06DA403-844	43, 51	1		12-00573-03SV	35
07-00013-00	99	10-00083-05	61	12-00594-xx/5315	33
07-00013-01	99	10-00332-06	91	12-00686-00SV	83
07-00013-02	99	10-00332-21SV	29	12-01071-01SV	50
07-00013-03	99	10-00333-00	31	12-01104-05	47
07-00015-00	99	10-00388-00	9, 11	12-01105-02	47
07-00228-00	99	10-00400-00	79	12-01124-01	43
07-00229-00	99	10-00421-01	79	12-01124-02	43
07-00238-00	99	10-00431-02	29, 41	12-01125-02	43
07-00243-10	99	10-00431-06	28	12-55008	98
07-00263-00	99	10-00431-07	28	14-00204-02	47
07-00264-00	99	10-00431-11	91	14-00206-00	45, 95
07-00277-00	99	10-00439-02	29, 91	14-00206-01	45, 95
07-00292-00	95	10-00446-00	31	14-00212-03SV	49, 51
07-00294-00	99	10-00455-00	73	14-00212-21	49, 51
07-00294-05	99	10-01129-07	31	14-00215-03	50
07-00295-00	99	10-01129-07SV	28	14-00215-06	49
07-00304-00	99	10-01129-10	28	14-00220-00	50
07-00313-00	1	10-01129-20	25, 26, 31	14-00220-04	49
07-00329-00	99	10-01139-04	61	14-00221-03	49
07-00330-00	99	10-0298-01	29	14-00222-01	49
07-00345-00	1	12-00275-19SV	35	14-00222-03	51
07-00370-00	99	12-00290-04	27	14-00263-00	47
07-00375-00	99	12-00309-06	43	14-00263-20	47
07-00387-00	99	12-00342-02	19	14-00263-22	47
07-00391-00	99	12-00342-03	19	14-00263-23	47
07-00397-02	99	12-00342-04	19	14-00273-08	81
07-00397-03	99	12-00352-00	43, 49, 51	14-00341-02SV	1, 49, 51
07-00397-12	19	12-00395-01SV	53	14-00353-04	45
07-00398-00	99	12-00413-05SV	93	14-00353-20	45
07-00406-00	93	12-00433-00RP	35	14-00353-21	45
07-00408-00	99	12-00433-02RP	35	14-01032-14	49
07-00418-00	99	12-00464-07	68	14-01092-03	51
		12-00464-08	69	17-10715-00	97

PART NUMBER INDEX

PARTNO.	PAGENO.	PARTNO.	PAGENO.	PARTNO.	PAGENO.
17-10811-05	95, 97	17-44021-00	96, 97	22-00595-01	1
17-10812-00	95	17-44022-00	96, 97	22-01106-00	1
17-20004-00	96	17-44037-00	96	22-01107-00	1
17-20005-00	96	17-44109-00	97	22-01139-04	1
17-21002-01	51	17-44113-00	97	22-01140-01	1
17-21040-00	95	17-44115-01	96	22-01140-02	1
17-21062-00	96	17-44115-20	96	22-01140-04	1
17-21063-00	96	17-44123-00	96, 97	22-01141-01	1
17-21075-00	96	17-44124-00	95, 97	22-01292-02	91
17-21076-00	96	17-44128-00	95	22-01455-02	31
17-21077-00	96	17-44129-00	96	22-01455-03	31
17-21201-00SV	96	17-44136-00	96	22-01551-00	58, 59
17-40005-05	97	17-44137-00	96	22-01556-00	35
17-40007-00	96	17-44139-00	96	22-01556-01	33
17-40013-00	95	17-44160-00	97	22-01556-02	33
17-40016-01	95	17-44763-00	96	22-01566-00	47
17-40018-05	95	17-55002-00	97	22-01566-01	47
17-40019-00	96	17-55008-00	97	22-01602-02	15
17-40020-00	95	17-55009-01	96	22-01602-03	15
17-40029-05	96, 97	17-55020-21	97	22-01604-00	26
17-40032-00	96	17-55023-00	96	22-01613-06	83
17-40033-05	96, 97	17-55025-00	96	22-01613-07	83
17-40034-05	95, 96	18-00055-20SV	95	22-01613-08	9
17-40037-05	95, 96			22-01613-09	9
17-40042-00	96	2		22-01613-10	7, 9, 11
17-40048-00	96			22-01613-11	7, 9, 11
17-40050-00	96	22-00041-00	1	22-01613-13	7
17-40052-00	96	22-00041-02	1	22-01613-14	19, 79
17-40053-00	96	22-00049-01	25, 26	22-01613-15	19, 79
17-40055-00	96	22-00066-01	1	22-01613-15	83
17-40056-02	96	22-00066-02	1	22-01613-34	79
17-40057-00	97	22-00066-03	1	22-01614-02	79
17-40075-05	95, 97	22-00119-04	1	22-01614-03	79
17-40082-00	97	22-00120-04	1	22-01614-05	79
17-40083-00	97	22-00120-07	1	22-01621-02	35
17-40086-00	97	22-00121-07	1	22-01621-03	35
17-40093-05	95	22-00518-01	25, 26, 31	22-01621-23	33
17-40093-06	95	22-00519-01	26	22-01622-00	33
17-40411-00	96	22-00519-03	25, 26		

PART NUMBER INDEX

PARTNO.	PAGENO.	PARTNO.	PAGENO.	PARTNO.	PAGENO.
22-01622-01	33	22-02188-00	59	22-4031-01	33
22-01622-02	33	22-02205-00	27, 37, 38	22-4031-02	33
22-01660-00	19	22-02232-00	59	22-50007 Series	1
22-01660-03	19, 37	22-02302-02	41	22-50088-00	79
22-01660-04	19	22-02302-03	91, 95	22-50100-00	33
22-01660-05	37, 38	22-02322-00	59	22-50127-00	19
22-01660-08	7, 19	22-02324-01	58, 61	22-50157-00	33
22-01679-00	61	22-02324-02	59	24-00006-02	83
22-01679-01	61	22-02324-05	58	24-02019-00	41
22-01713-02	35	22-02336-02	1, 31, 33		
22-01713-06	33	22-02336-04	1, 31	3	
22-01713-16	66, 68	22-02336-08	1, 33		
22-01713-18	66	22-02341-00	29	30-00407-02SV	33
22-01731-00	58	22-02341-01	26, 27, 29	30-00415-01	9, 11
22-01731-01	58	22-02368-00	29	34-00373-05	1, 49
22-01733-01	15	22-02375-00	59	34-00373-07	1, 9, 11 49, 51
22-01734-01	61	22-02378-00	58	34-00373-11	1, 47
22-01737-00	93	22-02392-00SV	43	34-00373-51	1, 81
22-01737-01	93	22-02392-03	13, 47	34-00373-53	1
22-01737-02	93	22-02393-00	47	34-00373-54	49, 51
22-01743-00	93	22-02393-01	47	34-00373-56	58
22-01744-00	59	22-02394-02	47	34-00373-59	1, 58, 81
22-01777-00SV	33	22-02394-03	47	34-00373-65	1
22-01777-01SV	33	22-02396-02	35	34-00373-69	1
22-01777-03	9, 33	22-02396-03	35	34-00373-71	1
22-01777-04	33	22-02398-02	19	34-00373-88	1
22-01778-00	61	22-02398-03	19	34-00616-06	77, 79
22-01835-00	9, 47	22-02401-00	93	34-00655-08	6, 7, 9 41, 77, 91
22-01883-00	59	22-02412-00	19	34-00655-10	21, 81, 91
22-01884-00	59	22-02412-01	37	34-00655-28	14
22-01889-00	29	22-02413-00	19, 37	34-00662-05	63
22-01891-00	59	22-02418-02	93	34-00662-08	13
22-01892-00	79	22-02420-00	93	34-00662-11	41
22-01892-01	79	22-02448-00SV	49	34-00663-07	29, 91
22-01906-00	59	22-04043-00	41	34-00663-08	69
22-01931-00	59	22-04044-00	41	34-00663-09	23, 68, 91
22-01932-00	59	22-04044-01	41	34-00663-11	56, 77, 79 81, 83
22-01997-05	55	22-06163-15	9, 11		
22-01997-10	55	22-4031-00	33		

PART NUMBER INDEX

PARTNO.	PAGENO.	PARTNO.	PAGENO.	PARTNO.	PAGENO.
34-00666-09	73	34-06051-32	68, 83	34-06179-04	68
34-00667-05	26, 29, 63	34-06051-36	56	34-06183-00	72, 73
34-00667-09	61, 63	34-06053-00	15, 23, 41	34-06185-01	6, 7
34-00667-11	21, 41, 58 60, 81		47, 49, 51 55, 60, 65 68, 69, 72	34-06212-10	25, 27
34-00667-12	55	34-06053-01	41	34-06212-12	4, 6, 7 9
34-00667-14	41	34-06053-02	41, 49, 51	34-06215-00	79
34-00795-09	23, 68		55	34-06221-00	61
34-00795-17	77, 79	34-06053-03	21, 41, 45	34-06223-00	31, 35
34-00848-10	26, 29		49, 51, 55 56, 57, 58	34-06224-01	28
34-00849-22	41		60, 63, 66 68	34-06227-00	29
34-00928-01	21, 28, 68 69, 86	34-06053-04	73	34-06243-00	28, 31
34-00928-02	7, 86, 88 89	34-06053-05	21, 23, 29 38, 43, 45 47, 49, 51	34-06262-00	73
34-00928-03	9, 27		60, 61, 63 68, 71, 95	34-06286-00	73
34-00928-04	85, 89			34-06287-00	73
34-00928-06	13	34-06053-07	41	34-66627-00	6
34-00928-07	56, 57, 71	34-06053-08	63	34-66629-05	25, 27
34-00928-09	13, 49, 51 69, 71, 73 81, 86, 88, 89	34-06053-11	21,	34-66630-00	25, 27
		34-06053-13	4, 6, 7 9, 66, 68 91	34-66635-00	69
34-00928-13	17, 65,	34-06053-14	69	34-66642-09	13
34-00928-20	15, 21, 71 85, 86, 88 89	34-06053-18	71	34-01178-22	41
		34-06053-19	6, 7	38-00557-00	79
34-00980-56	76	34-06092-00	72, 73	38-00585-00	55
34-01110-00	96	34-06107-00	23	38-00599-00	77
34-01121-00	71	34-06126-08	63		
34-01142-01	21, 28, 68 69	34-06139-03	37	4	
34-01150-03	86, 88, 89	34-06139-04	37, 38	40-00060-02	43
34-01150-04	89	34-06142-00	37, 38	40-00086-04	51
34-01150-06	86, 88	34-06154-00	4, 6, 7 9	40-00108-03	9, 11
34-01150-30	86, 88, 89	34-06154-03	15	40-00123-02	43
34-01150-31	86, 88, 89	34-06165-08	77	40-00297-00	9, 11
34-01167-01	23, 63	34-06165-09	79	40-00501-50	49
34-01178-22	83, 91	34-06169-00	23, 57, 68 69	40-00520-00	95
34-01178-23	83			40-00520-01	49, 51, 95
34-01181-01	55	34-06179-00	57, 68	40-00520-02	45, 47, 95
				40-00520-03	45, 49, 51
				40-00523-00	95

PART NUMBER INDEX

PARTNO.	PAGENO.	PARTNO.	PAGENO.	PARTNO.	PAGENO.
40-00523-01	95	42-00501-00	81	56-08347-00	81, 83
40-00542-00	45, 47	42-00570-00	76	56-08348-00	81
40-00542-01	45	42-00608-00	25, 27	56-08349-00	81
40-00555-06	51	42-00611-00	23	56-08787-00	45
40-00601-05	9, 11	42-01084-00	45	56-66743-00	45
40-00640-00	9	42-01098-01	68	58-00065-06	81
40-01129-00	50	42-01172-12	81	58-00065-10	81
40-66615-00	65	42-50000-00	50	58-00065-46	81
40-66616-00	65	42-66617-00	65	58-00065-56	81
42-00032-11	45	44-00300-00	23	58-00065-71	65
42-00032-12	45	44-00340-03	63	58-00065-72	65
42-00032-14	81	44-00340-05	63	58-00065-77	9, 68
42-00032-15	81	44-00361-00	9, 91	58-00065-78	9
42-00174-104	21	44-00370-03	41, 81, 83	58-00065-84	9
42-00174-34	85, 86, 88 89	44-00370-08	81, 83	58-00616-00	15, 83
42-00174-35	85, 86, 88 89	44-00370-10	81, 83	58-00616-02	68
42-00174-56	85	44-00374-00	57, 68	58-00701-03	21
42-00174-57	37	44-00391-00	25, 27	58-00848-23	91
42-00174-64	88	44-01043-05	1	58-00956-00	50
42-00233-01	72	44-01043-07	1	58-00957-00	50
42-00237-12	81	44-01143-05	81	58-00967-00	21, 91
42-00270-02	23	44-66605-00	69	58-00969-00	6, 7
42-00271-00	27	48-00262-00	79	58-00989-03	65
42-00295-00	73	48-00377-00	73	58-01094-02	71
42-00295-01	73	48-00413-00	77	58-01097-00	37
42-00296-01	4, 6, 7 13	48-66611-00	69	58-01184-00	33, 35
42-00327-00	4, 6, 7 13			58-01231-00	71
42-00334-00	85, 86, 88 89	5		58-04001-01	63
42-00407-00	6, 7	54-00585-20	79	58-04001-02	63
42-00425-116	45	54-00586-20	55	58-04026-07	58, 60
42-00425-20	45	54-00648-20	77	58-04026-17	60
42-00457-00	79	56-07323-00	45, 83	58-04026-22	61, 63
42-00465-00	71	56-07435-00	45	58-04026-32	21
42-00470-00	61	56-07455-00	45	58-04026-41	55
42-00499-00	79	56-08343-00	81, 83	58-04026-56	13
		56-08345-00	81	58-04026-70	21
		56-08346-00	81	58-04026-73	69

PART NUMBER INDEX

PARTNO.	PAGENO.	PARTNO.	PAGENO.	PARTNO.	PAGENO.
58-04026-74	69	58-04480-00	55	62-02743-02	75
58-04066-00	79	58-04481-00	55	62-02743-04	75
58-04101-00	23	58-04497-01	9, 11	62-02743-07	75
58-04101-01	23	58-04497-04	9, 11	62-02743-08	75
58-04101-07	57, 68	58-04499-00	71	62-02743-09	75
58-04127-00	65	58-04539-03	76	62-02743-10	75
58-04127-03	65	58-04664-00	81	62-02743-12	75
58-04127-05	65	58-04770-00	77	62-02743-13	75
58-04127-06	65	58-50014-00	51	62-02743-14	75
58-04127-07	65	58-66635-00	65	62-02743-15	75
58-04145-00	29	58-66640-00	13	62-02743-16	75
58-04145-01	29	58-66642-00	13	62-02743-17	75
58-04145-06	29	58-66644-00	13	62-02743-18	75
58-04170-01	65	58-66645-00	13	62-02743-19	75
58-04202-01	76			62-02785-00	55, 74
58-04246-00	68, 91	6		62-02874-01	31
58-04251-00	6, 7			62-10259-00	74
58-04251-01	9	62-02444-01	74	62-10360-00	79
58-04251-02	9	62-02458-00	74	62-10381-00	73
58-04263-01	73	62-02530-01	74	62-10532-00	75
58-04273-00	91	62-02719-00	33	62-10532-01	75
58-04276-00	53	62-02720-00	75	62-10532-02	75
58-04277-00SV	53	62-02721-00	74	62-10532-03	75
58-04278-00	53	62-02721-03	74	62-10532-04	75
58-04279-00	53	62-02723-00	75	62-10532-06	75
58-04290-00	14, 15	62-02723-01	75	62-10537-00	73
58-04302-01	15	62-02723-02	75	62-10540-00	73
58-04315-00	91	62-02723-03	75	62-10540-04	73
58-04316-00	27, 37, 38 71, 76, 91	62-02723-04	75	62-10557-00	16
58-04321-01	41	62-02723-05	75	62-10769-00	74
58-04366-00SV	23	62-02723-06	75	62-10902-02	74
58-04376-01	6	62-02723-09	75	62-10902-03	74
58-04376-03	6	62-02723-10	75	62-10902-04	74
58-04376-05	7	62-02723-11	75	62-10911-00	21
58-04378-01	4	62-02735-00	33	62-10914-00	25, 27
58-04389-00	23	62-02738-04	33	62-10914-01	25
58-04407-00	79	62-02738-08	33	62-10914-02	25, 26
58-04456-00	27	62-02743-00	75	62-10914-03	26
		62-02743-01	75		

PART NUMBER INDEX

PARTNO.	PAGENO.	PARTNO.	PAGENO.	PARTNO.	PAGENO.
62-10914-04	26	66U1-3882	9, 11, 27	66U1-5381	29
62-10914-05	25		37, 38, 41	66U1-5381-1	41, 47, 58
62-10914-06	26		45, 66, 68		81, 83
62-10980-00	81		71, 76, 81	66U1-5381-3	81
62-10984-00	73		83, 85, 86	66U1-5562-12	15
62-11273-00	56	66U1-3882-3	91	66U1-5562-2	4, 6, 7
62-11276-00	71		27, 37, 38		13, 15
62-11602-00	77	66U1-5321-13	45, 76, 81	66U1-5562-7	21, 95
62-66697-00	13		6, 7	66U1-6651-15	29
62-66701-00	13	66U1-5321-2	41, 69	66U1-6651-19	43, 91
62-10921-00	41		21, 71, 77	66U1-6651-26	13
65-00144-00	81, 83	66U1-5321-3	79, 81, 83	66U1-6651-4	29
65-00144-01	81, 83		41, 49, 51	66U1-6782	59
65-00185-03	49	66U1-5321-6	86	66U1-6782-3	59
66CH1-1002-33	73		26, 29	66U1-6811-12	57
66CH1-1172-16	55	66U1-5321-7	15, 21, 41	66U1-6811-15	23
66CH1-1172-2	6, 7, 9		49, 51, 53	66U1-6811-16	69
66CH1-1172-46	29		55, 58, 60	66U1-6811-8	23, 57, 68
66CH1-1172-52	91	66U1-5321-8	63, 65, 66		69
66CH1-1172-67	91		68, 73, 83	66U1-6835	29
66U1-1571-14	15		91	66U1-6912-16	83
66U1-1571-3	81		9, 11, 21	66U1-7452-3	81
66U1-2403	63, 85, 86	66U1-5331-3	23, 29, 38	66U1-7842-12	91
	89		41, 43, 45	66U1-7842-13	29
66U1-2403-1	23	66U1-5361	47, 60, 61	66U1-7842-6	91
66U1-2552-185	6, 7, 13		63, 65, 73	66U1-7842-7	91
	77	66U1-5361-11	83, 91, 95	66U1-7982-2	85, 86
66U1-2552-186	71			66U1-8292-1	6, 7
66U1-2583	58	66U1-5361-25	83	66U1-8662	16, 71
66U1-2583-1	59		45, 95	66U1-9212-1	35
66U1-2593-24	85, 86, 88	66U1-5361-46	6	66U1-9592-13	21
	89		41, 58, 60	66U1-9752	25, 27, 28
66U1-2603	60, 63	66U1-5361-50	41, 49, 51		29, 31
66U1-2763-5	50		6, 7	66U1-9782	58, 59
66U1-2763-6	50	66U1-5362-2	29, 31, 65	66U1-9782-1	59
66U1-2803-10	89		83	66U2-1081	25
66U1-3442-2	35	66U1-5371-10	83	66U2-1132-1	49
66U1-3632-20	45		9, 11, 41	66U2-1142	50
66U1-3632-24	47	66U1-5371-13	43, 45, 49	66U2-1152	50
66U1-3803	1, 49, 91		51, 81, 83	66U2-1531	61
66U1-3803-1	1, 83	66U1-5371-6	21, 27, 29	68-11989-00	4
66U1-3823	29		33, 35, 38		
			53, 60, 68		
			71, 73, 83		
			91, 95		

PART NUMBER INDEX

68-11989-01	4	68-13472-01	43	68-15015-00	81
68-11989-08	13	68-13472-03SV	43	68-15161-00	81
68-11989-10	13	68-13475-00	85, 88	68-15270-00	21
68-12319-00	81	68-13475-04	89	68-66773-01	21
68-12368-00	51	68-13475-05	89	68-66776-01	21
68-12417-00	17	68-13475-12	86	68-86030-00	49
68-12432-00	41	68-13572-00	85, 86, 88	68-86032-00	69
68-12432-01	41		89	68-86059-00	37
68-12432-02	41	68-13572-01	86	68-86120-00	71
68-12432-03	41	68-13600-00	83	68-86120-02	71
68-12434-02	37	68-13724-00	23, 68	68-86230-00	21
68-12496-00	29	68-13727-00	71	69NP20-1031	51
68-12523-00	41	68-13728-00	85, 86, 88	69NT-20-112-2	45
68-12544-01	31	68-13728-01	86	69NT-35-2692	85
68-12635-03	57	68-13729-00	85, 86	69NT-35-3282	88
68-12635-04	57	68-13729-02	88	69NT-35-8284	41
68-12635-05	56	68-13729-05	86	69NT-35-8658	85, 88
68-12635-06	56	68-13729-06	89	69NT-43-468	1
68-12635-21	57	68-13729-07	89	69NT-46-468-1	1
68-12635-22	56	68-13984-00	71	69NT20-2083	95
68-12658-01	66	68-14029-00	71	69NT20-513-1SV	95
68-12658-03	66	68-14124-00	89	69NT20-513SV	95
68-12658-04	66	68-14482-00	37, 38	69NT35-1287-1	73
68-12658-20	66	68-14715-00	13	69NT35-1417	73
68-12815-00	71	68-14715-01	13	69NT35-2287	21
68-12821-00	71	68-14738-00	9, 11	69NT35-2692	33, 85, 86
68-12881-00	85	68-14739-00	9		89
68-12933-00	6	68-14796-00	25, 27, 29	69NT35-2692-1	56, 57, 66
68-12933-05	7	68-14796-01	25		68, 71, 77
68-12933-07	7	68-14796-02	25, 26, 29	69NT35-2692-4	79, 83
68-12940-00	6	68-14796-03	26, 29		35
68-12940-03	7	68-14796-04	26	69NT35-3282	86, 89
68-12940-05	7	68-14796-05	25, 29, 31	69NT35-3286	89
68-12993-00	41	68-14796-06	26, 29	69NT35-3296	89
68-13181-01	83	68-14817-00	23	69NT35-3452	55
68-13310-00	63	68-14852-00	41	69NT35-3452-1	55
68-13310-01	63	68-14890-00	81	69NT35-3452-2	55
68-13427-00SV	28	68-14892-00	81	69NT35-3452-3	55
68-13454-02SV	55	68-14935-01	71	69NT35-3547	55
68-13454-03SV	55	68-14955-00	73	69NT35-3867	74

PART NUMBER INDEX

PARTNO.	PAGENO.	PARTNO.	PAGENO.	PARTNO.	PAGENO.
69NT35-3907	74	69NT35-8734-5	14	69NT43-469	41
69NT35-3987	17	69NT35-8734-6	14	69NT43-470	61
69NT35-3997-1	17	69NT35-9073-1	91	69NT43-470-1	61
69NT35-4027-1	81, 83	69NT35-9228	73	69NT43-470-2	61
69NT35-4047	71	69NT35-9238	73		
69NT35-5022-5	68	69NT35-9952	38	7	
69NT35-5022-6	23	69NT40-222	27, 29		
69NT35-5352-1	68	69NT40-507-1	19	74-66608-00	23
69NT35-5992	60, 63	69NT40-657-2	39	76-00355-00	95
69NT35-6112	55	69NT41-106-2	43	76-00384-00	95
69NT35-6118	74	69NT41-192	38	76-00397-00	1
69NT35-6132	40	69NT41-192-1	38	76-00667-05	61
69NT35-6272	21	69NT41-477	51	76-00670-01	61
69NT35-6278	29, 91	69NT41-487	51	76-00670-02	61
69NT35-6348	14	69NT41-497	51	76-00670-03	61
69NT35-6412	58, 60	69NT41-543	43	76-00670-04	61
69NT35-6412-1	58, 60	69NT41-553	43	76-00675-02	83
69NT35-6412-2	58, 60	69NT41-702	47	76-00677-00	51
69NT35-6598	86	69NT41-724-4	63	76-00681-01	14
69NT35-7012	73	69NT41-782	73	76-00701-10	68
69NT35-7662-3	89	69NT41-852-4	72	76-00701-11	69
69NT35-8012	65	69NT41-852-5	72	76-00746-01	88
69NT35-8032	63	69NT41-942-9	89	76-00746-02	86
69NT35-8113	39	69NT41-982-3	21, 29	76-00748-00	83
69NT35-8218	74	69NT41-992	19	76-00760-00	19
69NT35-8218-01	41	69NT42-914	50	76-00766-00	41
69NT35-8258	15	69NT42-914-1	50	76-50058-00	93
69NT35-8348	73	69NT43-175	19	76-50059-00	93
69NT35-8382	61, 63	69NT43-176	19	76-50116-00	73
69NT35-8548	17	69NT43-256	68, 69	76-50116-01	73
69NT35-8658	85, 86, 89	69NT43-283	79	76-50116-02	73
69NT35-8658-1	85	69NT43-284	79	76-50116-03	73
69NT35-8693-10	55	69NT43-285	79	76-50116-04	73
69NT35-8693-7	55	69NT43-286	71	76-50136-00	73
69NT35-8734-12	14	69NT43-295	77, 79	76-50149-00	33
69NT35-8734-14	14	69NT43-307	71	79-01695-00	6
69NT35-8734-16	14	69NT43-374	60	79-01697-06SV	4
69NT35-8734-4	14	69NT43-420	49, 51	79-01697-17SV	4

PART NUMBER INDEX

PARTNO.	PAGENO.	PARTNO.	PAGENO.	PARTNO.	PAGENO.
79-01706-05SV	29	8		AU11JR171	60
79-01757-00	50			AU11JR241	41, 49, 51
79-01925-00	73	81-01472-00	47	AU27JR131	83
79-01934-00	73	81-01575-00SV	55	AU27JR171	21
79-66626-00	7	81-01925-01	81, 83		
79-66626-01	7	81-04124-00	45	C	
79-66635-00	56	86-04217-01	69	CA21JA051	43
79-66635-01	56	86-04217-02	68		
79-66635-02	56	86-04217-03	69	D	
79-66635-03	57	86-04461-00	23		
79-66635-04	57	86-04461-01	23	DE40BA203	49, 51
79-66635-05	57	86-04637-00	56, 57		
79-66635-06	57	86-04637-01	56, 57	E	
79-66635-07	57	86-04637-02	56, 57		
79-66635-08	57	86-66689-00	21	EC39DM062	49
79-66640-00	13	86-66704-00	13		
79-66641-00	13	86-66704-01	13	K	
79-66641-01	13			KA70PP048	9, 11
79-66642-00	13	A			
79-66643-00	9, 11, 13	AA06JA166	81	M	
79-66643-01	9, 11, 13	AA06JA170	60		
79-66655-03	23	AD61JA124	95	MS510074	26
79-66669-00	25	AT39JA171	21		



A member of the United Technologies Corporation family.
Stock symbol UTX



**United
Technologies**

Climate | Controls | Security

Carrier Transicold Division,
Carrier Corporation
P.O. Box 4805
Syracuse, N.Y. 13221 U.S.A

www.carrier.transicold.com