



Diesel Generator Set



PARTS LIST MANUAL

For

69UG15

PowerLINE[®] Series 55 Generator Set Units

PID UG5500 to 5599

EU Stage V Compliant

T-375PL



PARTS LIST MANUAL

For

69UG15

PowerLINE[®] Series 55 Generator Set Units

PID UG5500 to 5599

EU Stage V Compliant

TABLE OF CONTENTS

PARAGRAPH NUMBER	PAGE
INTRODUCTION	1
UG GENERATOR SET CONFIGURATION	3
UNIDRIVE ASSEMBLY	5
AIR CLEANER - DRY ELEMENT AIR FILTER	7
FUEL TANK - 50 GALLON STEEL	9
FUEL SYSTEM KIT	11
COOLANT SYSTEM	13
EXHAUST SYSTEM	15
BATTERY CHARGER	16
BATTERY KIT	17
FRAME ASSEMBLY	19
MOUNTING KIT	20
SKINS KIT	21
ACCESS DOOR ASSEMBLY	23
CONTROL BOX DOOR ASSEMBLY	24
LABELS AND DECALS	25
CONTROL BOX	27
RECEPTACLE BOX	29
VOLTAGE KIT	31
SNUBBER KIT	33
INDEX	34

SECTION 1

INTRODUCTION

1.1 Introduction

This parts list identifies service replacement parts for the Carrier Transicold Diesel-Driven Generator Set listed in the model chart below. This parts list does not include detailed replacement parts for the engine listed in the first chart below. Detailed parts identification for these items may be found in the applicable parts list. The form numbers for the engine omit revision dash numbers. For example, the latest engine list may have an -01 added to the basic number to read 62-03459-01. Therefore, when forms are ordered the latest revision will be sent.

Manual Number	Engine Part Number	Equipment Covered	Type of Manual
62-10865 *	26-00136-04SV	V2203-DI	Workshop
62-11695 *		V2203-DI	Engine Parts List

* When referring to the engine manual, please note that this engine has been assembled using a two piece oil pan.

1.2 Model and Product Identification Numbers

Beginning with early 1995 production, Carrier Transicold began using a parts identification (PID) number in the format of UG0000 in addition to a model number. In this manual, the PID number is shown in boldface to point out variations within models.

1.3 Ordering Instructions

All orders and inquiries for parts must include:

- Part Identification Number (PID)
- Model Number
- Unit Serial Number
- Part Number
- Description of Part as shown on list
- Quantity required

Address all correspondence for parts to the following address:

For orders, go to www.transcentral.carrier.com

For inquiries, email: carrieraftermarketparts@carrier.utc.com

1.4 General Notes

To find replacement parts, consult table of contents, and turn to the appropriate page for the illustrated breakdown of replacement parts. The following letter designations are used to classify parts throughout this list:

A/R *As Required*

NLO *No Longer Offered*

PID *Parts Identification Number* - essential to identify unit configuration

PL *Purchase locally*

SST *Stainless Steel* - 300 Series unless otherwise specified

SV *Suffix SV* - added to the part number designates service part replacement part

1.5 Painted Parts Color System

Available paint colors: (Other than Standard Carrier Transicold White or Hull Blue)

PAINT COLOR	PART NO.
Sky Blue	36-00048-28
Flame Orange	36-00048-27
Citrus Orange	36-00048-29
Raven Black	36-00048-04
Red	36-00048-57

Overview of the new numbering system:

A typical part number appears as: 79-01741-00 (access door). To order an access door in sky blue, add the last three digits of the special color paint and then add the specific dash number for the color of that paint.

For example:

Sky blue paint P/N is 36-00048-28.

The last three digits of the blue paint are: 048

The specific dash number is: 28

The painted parts system looks like this:

79-01741-00 Standard P/N for the access door.

048 Last 3 digits of special color paint.

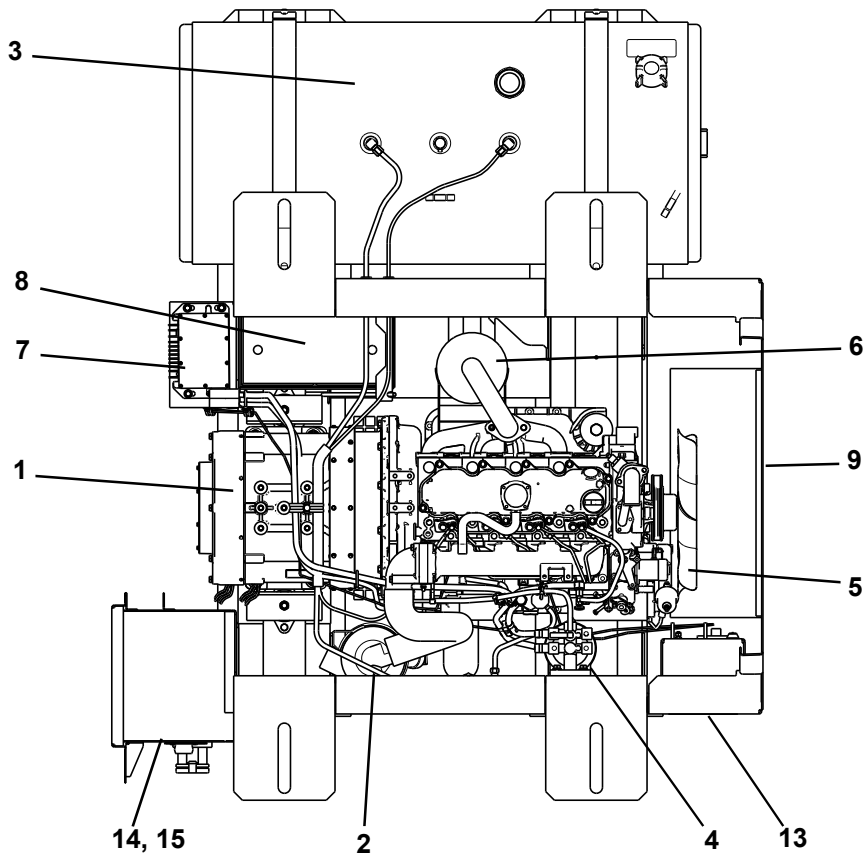
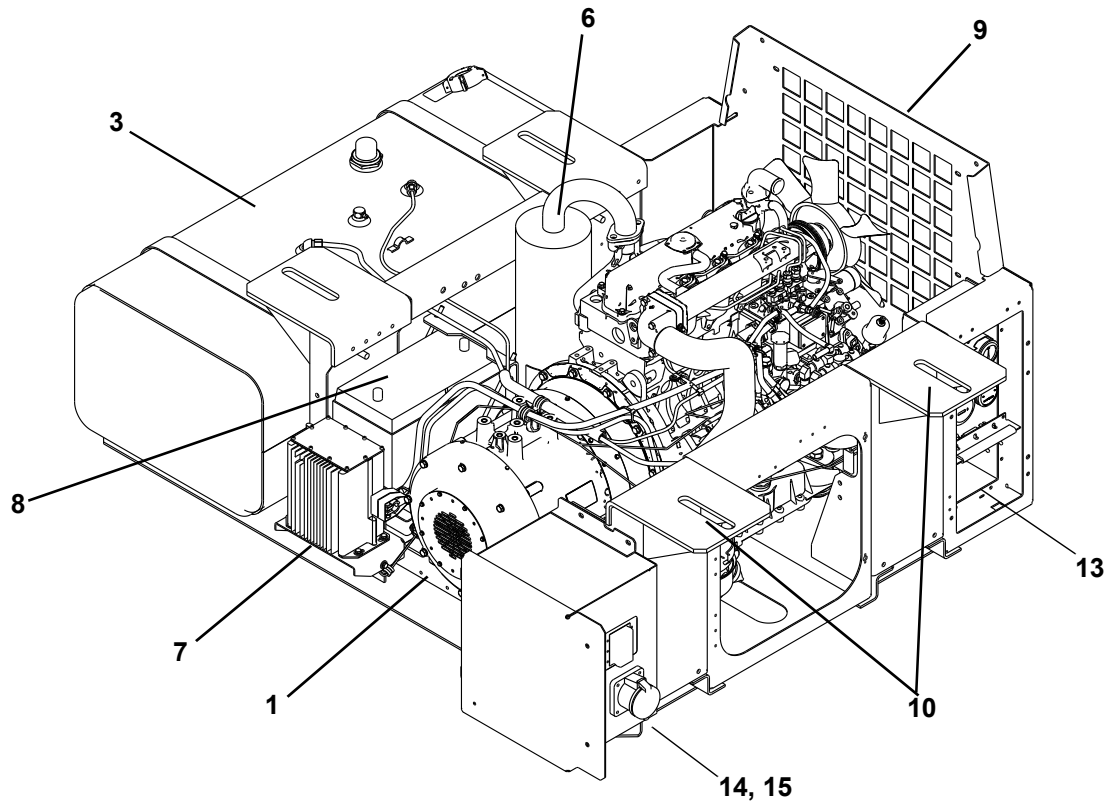
28 Specific dash # for color of paint.

79-01741-0004828 P/N For Special Painted Door

Data Entry Note:

The above is an example of how most parts should be ordered. Certain customers may have character constraints that will only allow them to input 14 characters into their system; our new painted part numbers are 16 characters long. Therefore, they should order these parts without the dashes. The entries will look like the following:
79017410004828

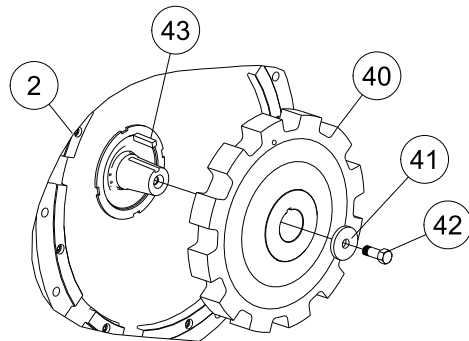
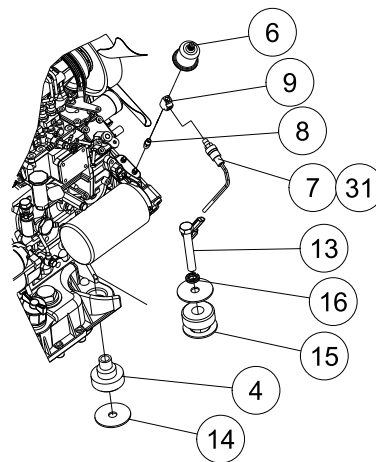
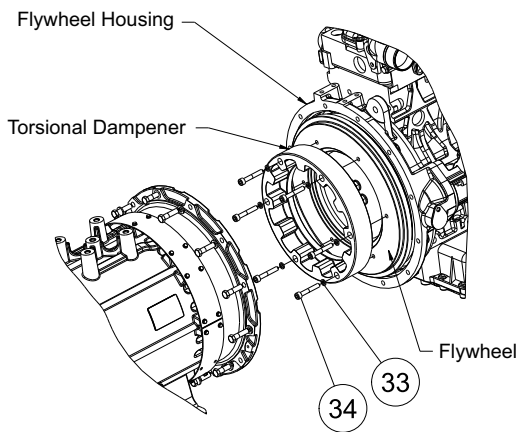
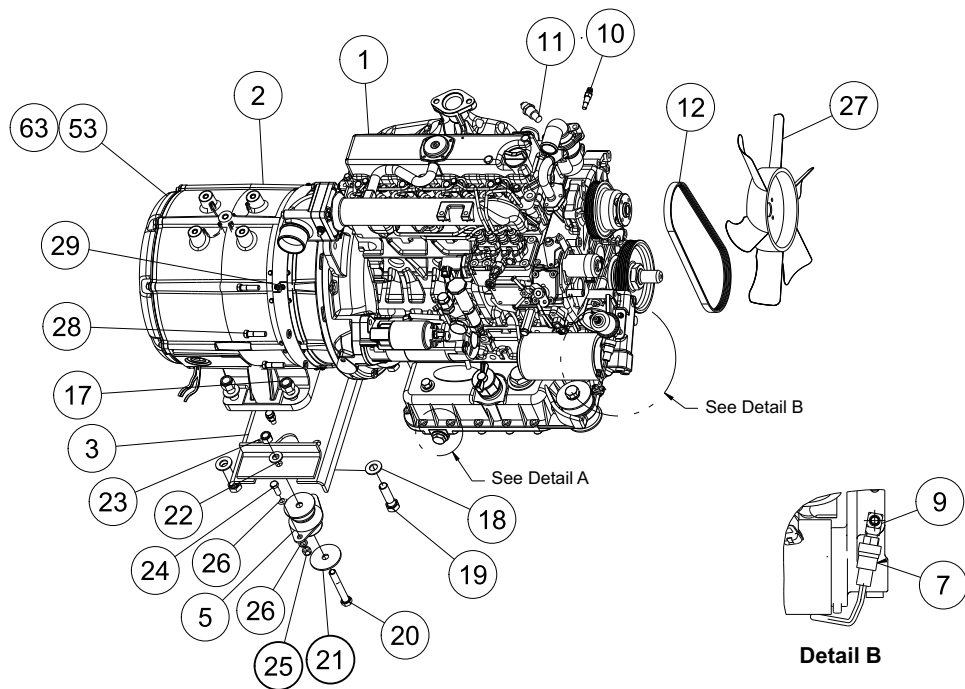
2 UG Generator Set Configuration



2 UG Generator Set Configuration

Item	Section Number	Area Description	
1	Refer to Section 3	Unidrive Assembly	
2	Refer to Section 4	Engine Air Cleaner	
3	Refer to Section 5	Engine Fuel Tank	
4	Refer to Section 6	Engine Fuel System	
5	Refer to Section 7	Engine Cooling System	
6	Refer to Section 8	Exhaust System	
7	Refer to Section 9	Battery Charger Kit	
8	Refer to Section 10	Battery Kit	
9	Refer to Section 11	Frame Assembly	
10	Refer to Section 12	Mounting Kit	
11	Refer to Section 13	Skins Kit (Not Shown)	
12	Refer to Section 14	Decal Kit (Not Shown)	
13	Refer to Section 15	Control Box	
14	Refer to Section 16	Receptacle Box	
15	Refer to Section 17	Voltage Kit	
16	Refer to Section 18	Snubber Kit (Not Shown)	

3 Unidrive Assembly

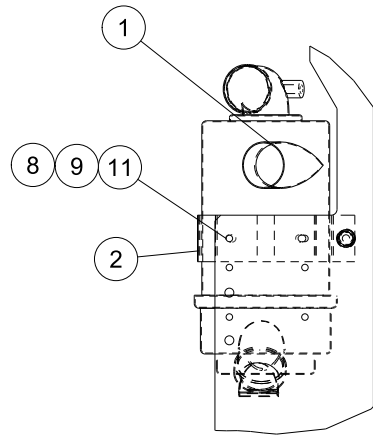
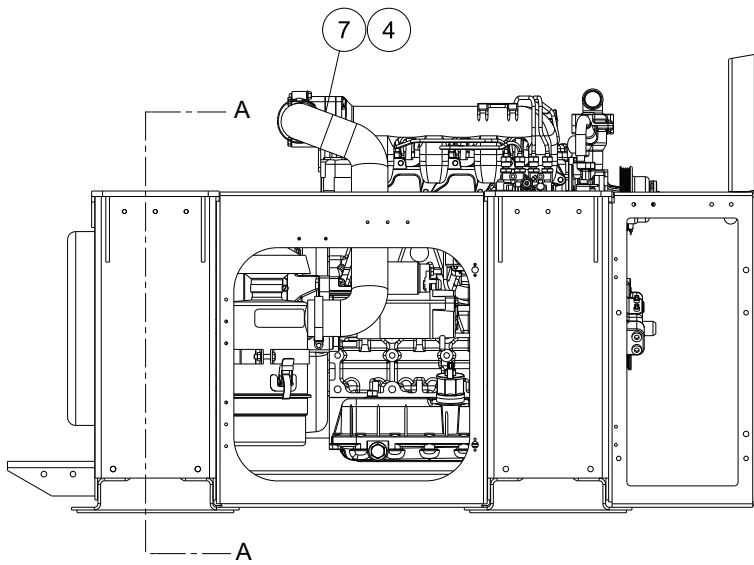
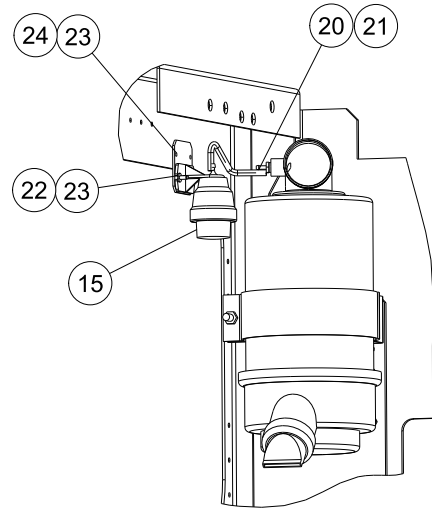
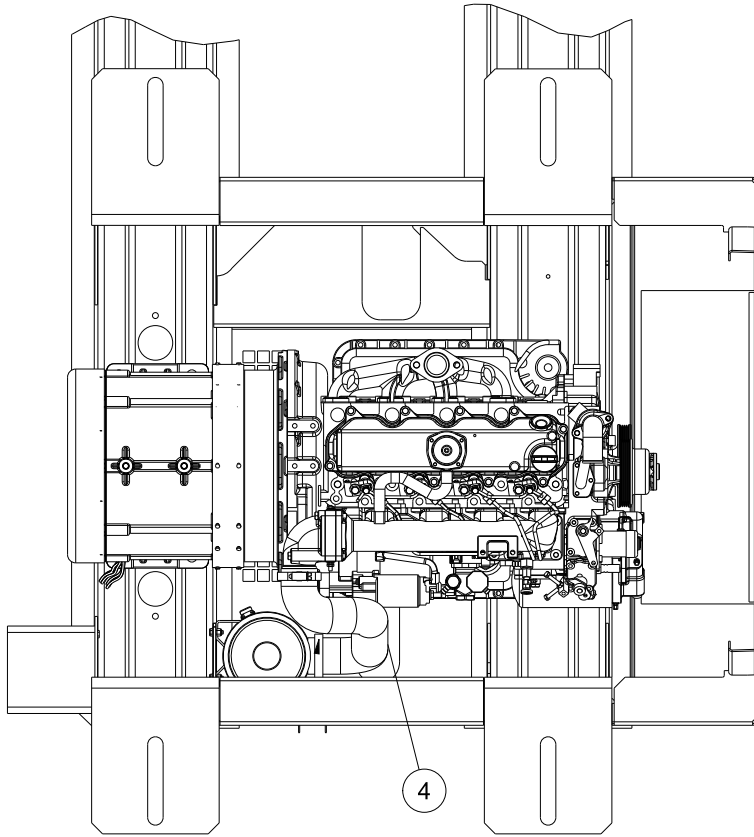


3 Unidrive Assembly

Item	Part Number	Description	Qty
1	26-00136-18	Engine, Kubota	1
2	54-00738-20	Generator, AC	1
3	86-04524-01	Plate, Support	1
4	73-00198-01	Shockmount	1
5	73-00175-01	Shockmount	1
6	66-U---1--2823-4	Sender, Oil Pressure	1
7	12-00592-16	Switch, Oil Pressure	1
8	40-00771-00	Nipple, Hex	1
9	40-00107-01	Tee	1
10	12-00098-04	Sending Unit, Water Temperature	1
11	10-00158-03	Safety Switch, Water Temperature	1
12	50-01198-00	Belt	1
13	66-U---1--5361-36	Screw, Cap Hxhd	1
14	34-06060-01	Washer, Snubbing	1
15	34-00890-10	Washer, Flat	1
16	66-U---1--5331-8	Washer, Lock	1
17	34-00795-17	Nut, Self Lock	1
18	66-U---1--5321-9	Washer, Plain	1
19	34-00804-18	Screw, Cap Hxhd	1
20	34-00833-28	Screw, Cap Hxhd	1
21	34-06060-02	Washer, Snubbing	1
22	34-00829-15	Washer, Plain	1
23	34-00667-15	Nut, Self Lock	1
24	34-00807-08	Screw, Cap Hxhd	1
25	34-00667-13	Nut, Self Lock	1
26	34-00829-13	Washer, Plain	1
27	34-00945-06	Washer, Lock	1
28	34-00807-12	Screw, Cap Hxhd	1
29	34-00663-13	Washer, Lock	1
31	58-00079-02	Sta-Strap	1
33	34-01146-58	Washer, Lock	1
34	34-01369-50	Screw, Socket Hd	1
39	46-00031-01	Oil, Engine	1
40	50-01195-00	Coupling	1
41	34-01319-00	Washer, Flat	1
42	34-00559-08	Screw, Cap Hxhd	1
43	34-06029-08	Key, Square	1
53	54-00738-21	Fan	1
63	54-00738-22	Shroud, Fan	1

77-00440-00

4 Air Cleaner - Dry Element Air Filter

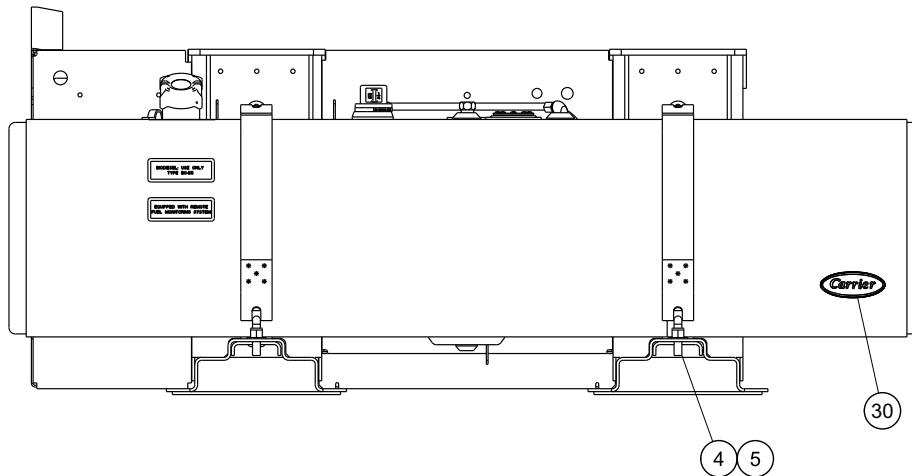
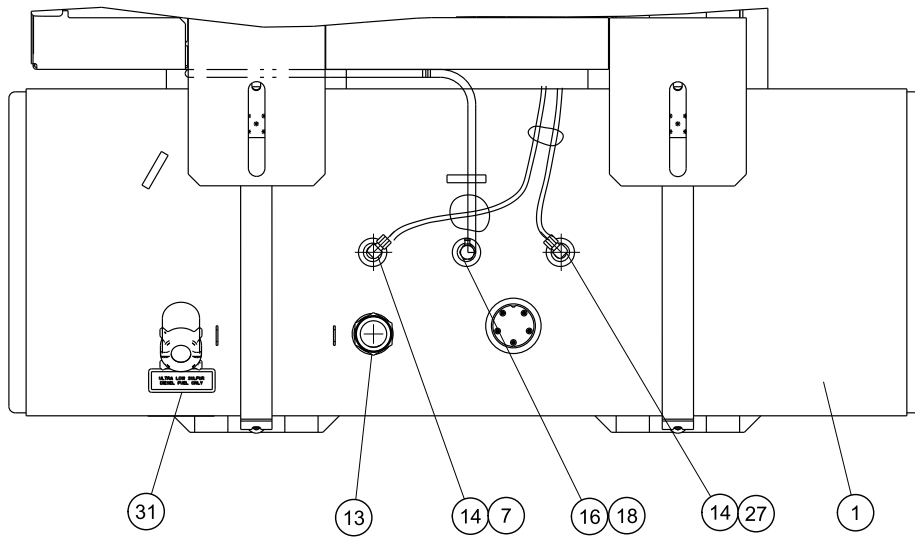
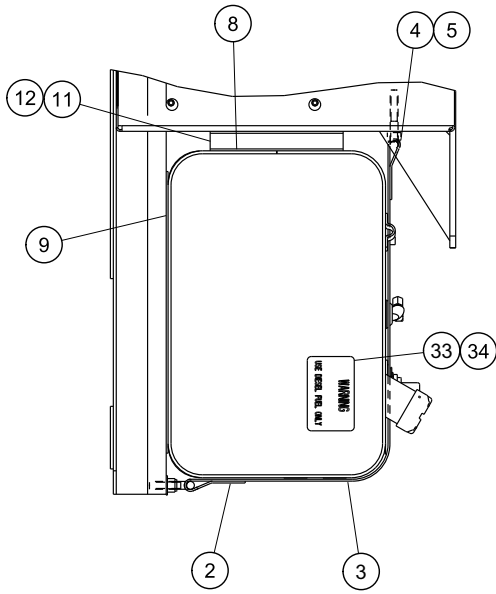


Section A-A

4 Air Cleaner - Dry Element Air Filter

Item	Part Number	Description	Qty
1	30-00426-05	Air Cleaner	1
	30-00426-20	Filter, Dry Element	1
2	44-00454-00	Bracket	1
4	58-04780-00	Hose	1
7	--KA--69JM-840	Clamp, Hose	2
8	66-U---1--5321-3	Washer, Plain	2
9	66-U---1--5361-25	Screw, Cap Hxhd	2
11	34-00667-11	Nut, Self Lock	2
15	30-00406-01	Indicator	1
20	40-00506-00	Fitting	1
21	58-04102-03	Hose	1
22	66-U---1--9132	Washer, Plain	2
23	34-00928-10	Rivet, Blind	4
24	68-15491-00	Plate, Mtg	1
			77-01570-01

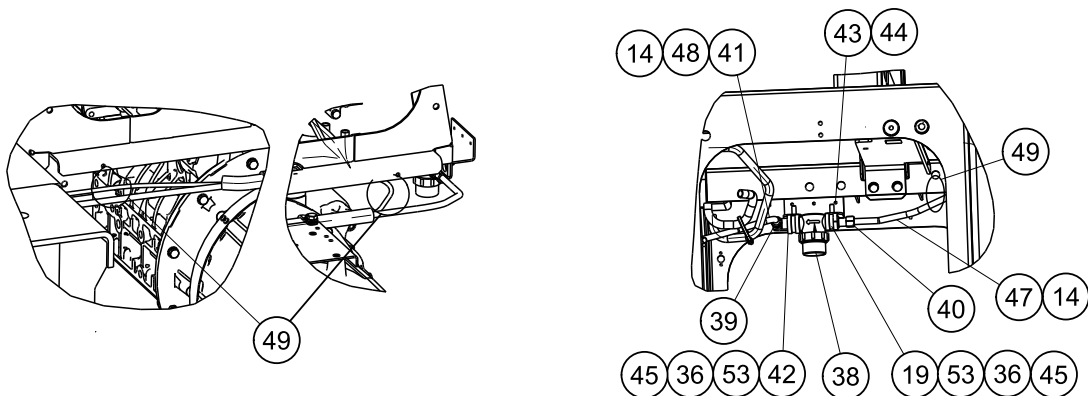
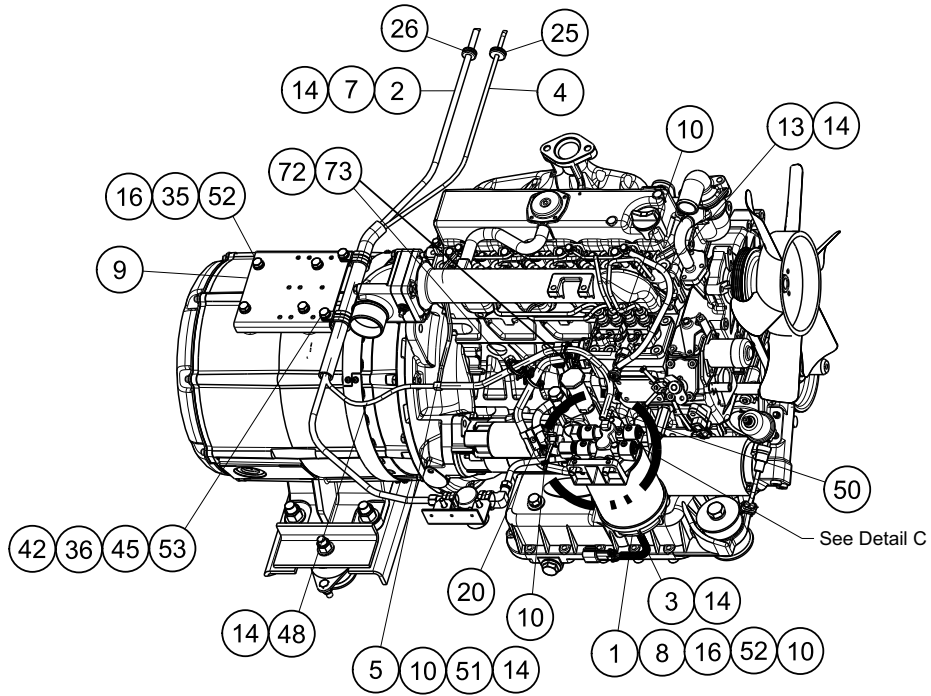
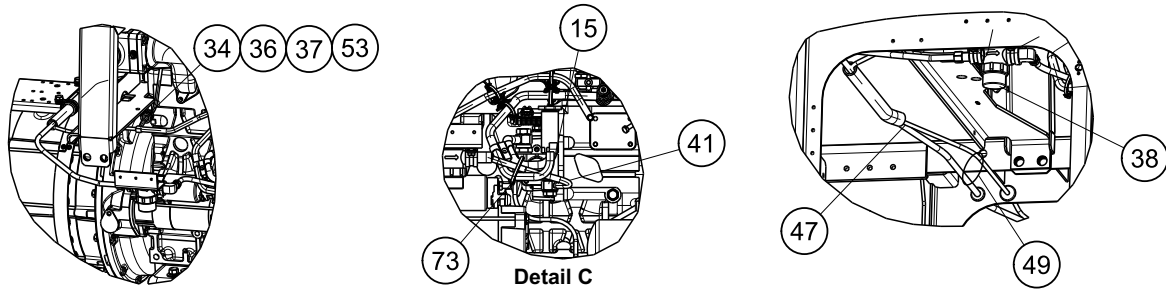
5 Fuel Tank - 50 Gallon Steel



5 Fuel Tank - 50 Gallon Steel

Item	Part Number	Description	Qty
1	65-01099-50	Tank Assembly	1
2	68-11903-07	Strap Assembly	2
3	58-04015-01	Pad	2
4	34-00667-15	Nut, Self Lock	4
5	34-01333-00	Washer, Plain	4
7	40-00342-03	Elbow, Male	1
8	58-01183-14	Pad	2
9	58-01183-11	Pad	2
11	68-16152-00	Spacer	2
12	34-00928-14	Rivet, Blind	12
13	12-00747-11	Gauge, Fuel	1
14	81-04093-00	Tube, Pickup	2
16	40-00697-00	Vent	1
18	58-04184-00	Hose, Fuel	3.375
27	40-00342-01	Elbow, Male	1
30	62-60390-02	Decal	1
31	62-02181-02	Decal	1
33	62-10573-00	Label	1
34	62-10391-01	Label	1
			77-00355-12

6 Fuel System Kit

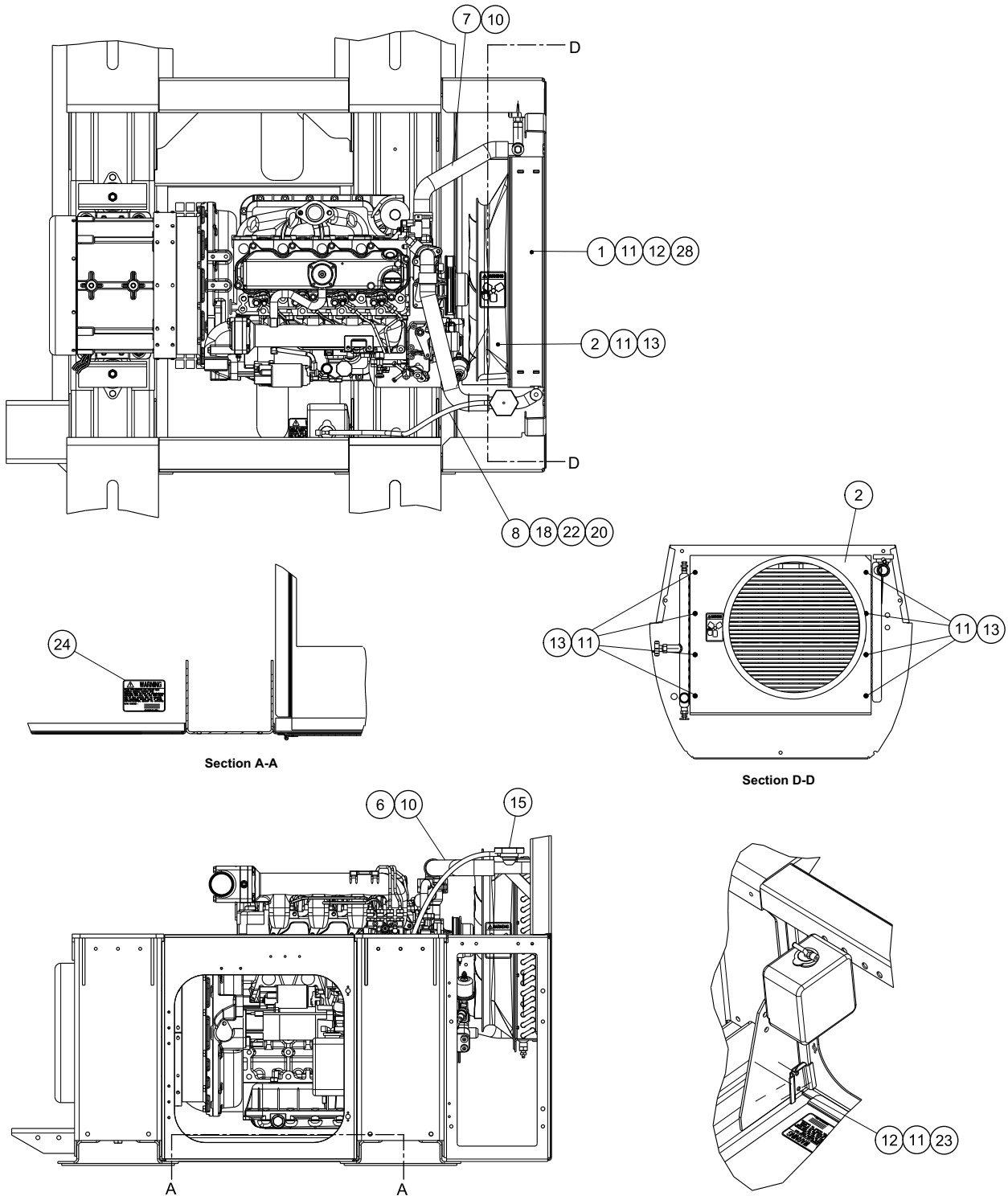


6 Fuel System Kit

Item	Part Number	Description	Qty
1	30-01090-04	Filter	1
2	58-01391-00	Tube, Fuel	1
3	58-00858-30	Tube, Slit	1
4	66CH---1---163-27	Tube Assembly	1
5	58-00659-27	Hose, Fuel	1
7	58-00849-05	Tube, Slit	1
8	66-U---1--5321-5	Washer, Plain	1
9	68-18431-00	Bracket	1
10	44-00045-25	Clamp, Hose	1
13	58-00848-02	Tube, Slit	1
14	58-00079-02	Sta-Strap	1
15	42-01133-00	Seal	1
16	34-00663-13	Washer, Lock	1
19	44-00102-54	Clamp, Cushioned	1
20	44-00317-00	Clip	1
25	58-00065-46	Grommet	1
26	58-00065-76	Grommet	1
34	44-00102-52	Clamp, Cushioned	1
35	34-00829-13	Washer, Plain	1
36	34-00662-11	Washer, Plain	1
37	34-00667-11	Nut, Self Lock	1
38	30-00373-02	Filter	1
39	40-00671-00	Fitting	1
40	40-00345-04	Connector, Fem	1
41	79-02424-01	Tube Assembly	1
42	44-00102-56	Clamp, Cushioned	1
43	34-00928-10	Rivet, Blind	1
44	68-15602-00	Bracket	1
45	--AU--11JR-171	Washer, Lock	1
47	58-00848-21	Tube, Slit	1
48	58-00848-19	Tube, Slit	1
49	58-00969-00	Wire Tie	1
50	58-00848-22	Tube, Slit	1
51	58-00848-23	Tube, Slit	1
52	34-00807-08	Screw, Cap Hxhd	1
53	34-00655-08	Screw, Cap Hxhd	1
72	58-01449-00	Swivel	1
73	58-00079-00	Sta-Strap	1

77-01984-03

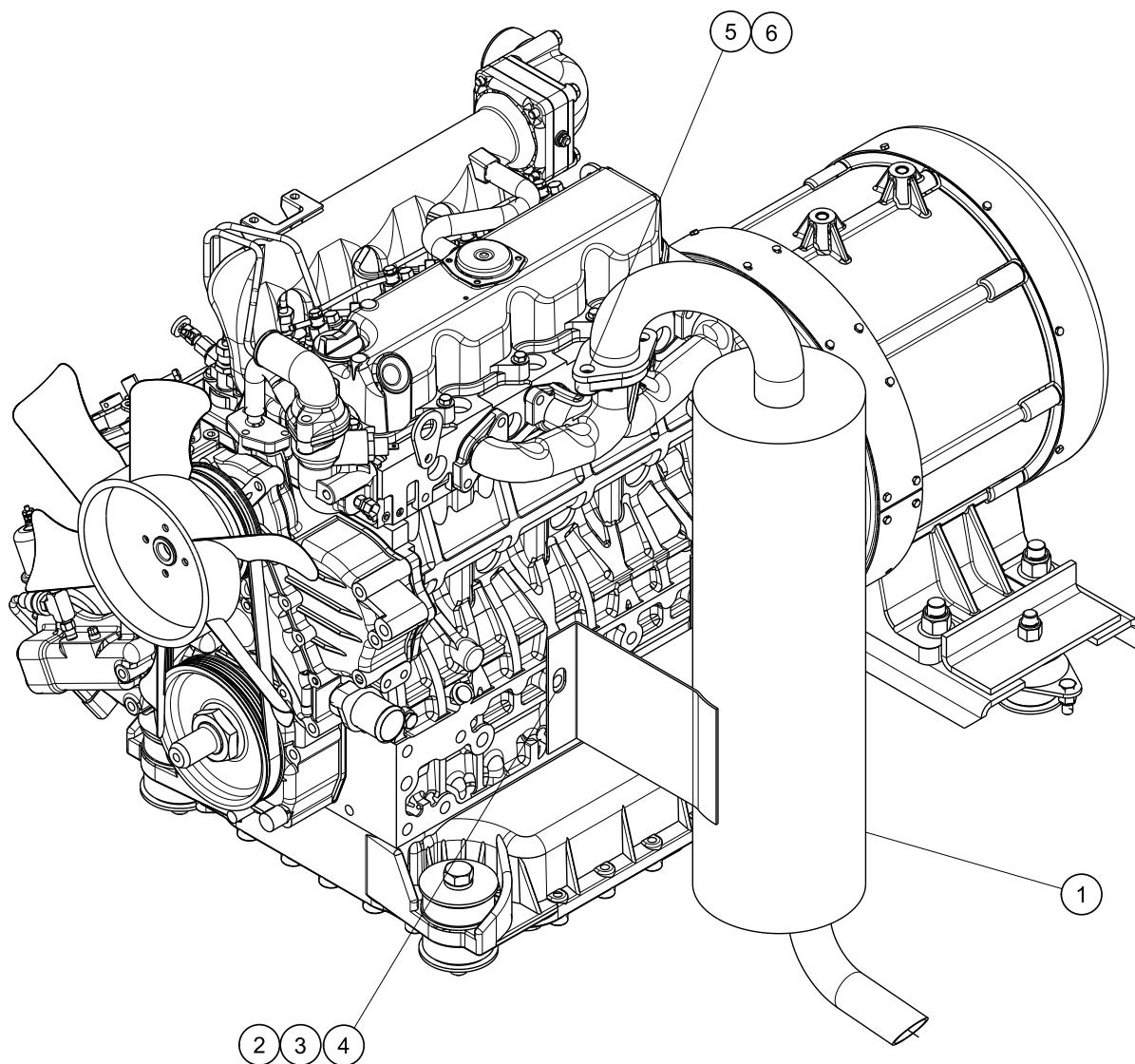
7 Coolant System



7 Coolant System

Item	Part Number	Description	Qty
1	81-01379-02	Radiator Assembly	1
2	58-04585-00	Venturi	1
6	58-04215-10	Hose, Formed	1
7	58-04784-10	Hose, Formed	1
8	58-04184-01	Hose, Fuel	1
10	--KA--69JM-824	Clamp, Hose	4
11	66-U---1--5361-25	Screw, Cap Hxhd	16
12	66-U---1--5321-7	Washer, Plain	8
13	69NT--35--2692-1	Washer, Fender	8
15	30-00397-00	Cap, Radiator	1
18	44-00388-00	Clamp, Hose	2
20	58-00079-02	Sta-Strap	2
22	58-00848-20	Tube, Slit	1
23	68-14126-00	Bracket	1
24	62-10903-00	Label	1
28	--AU--11JR-171	Washer, Lock	6
			77-01577-00

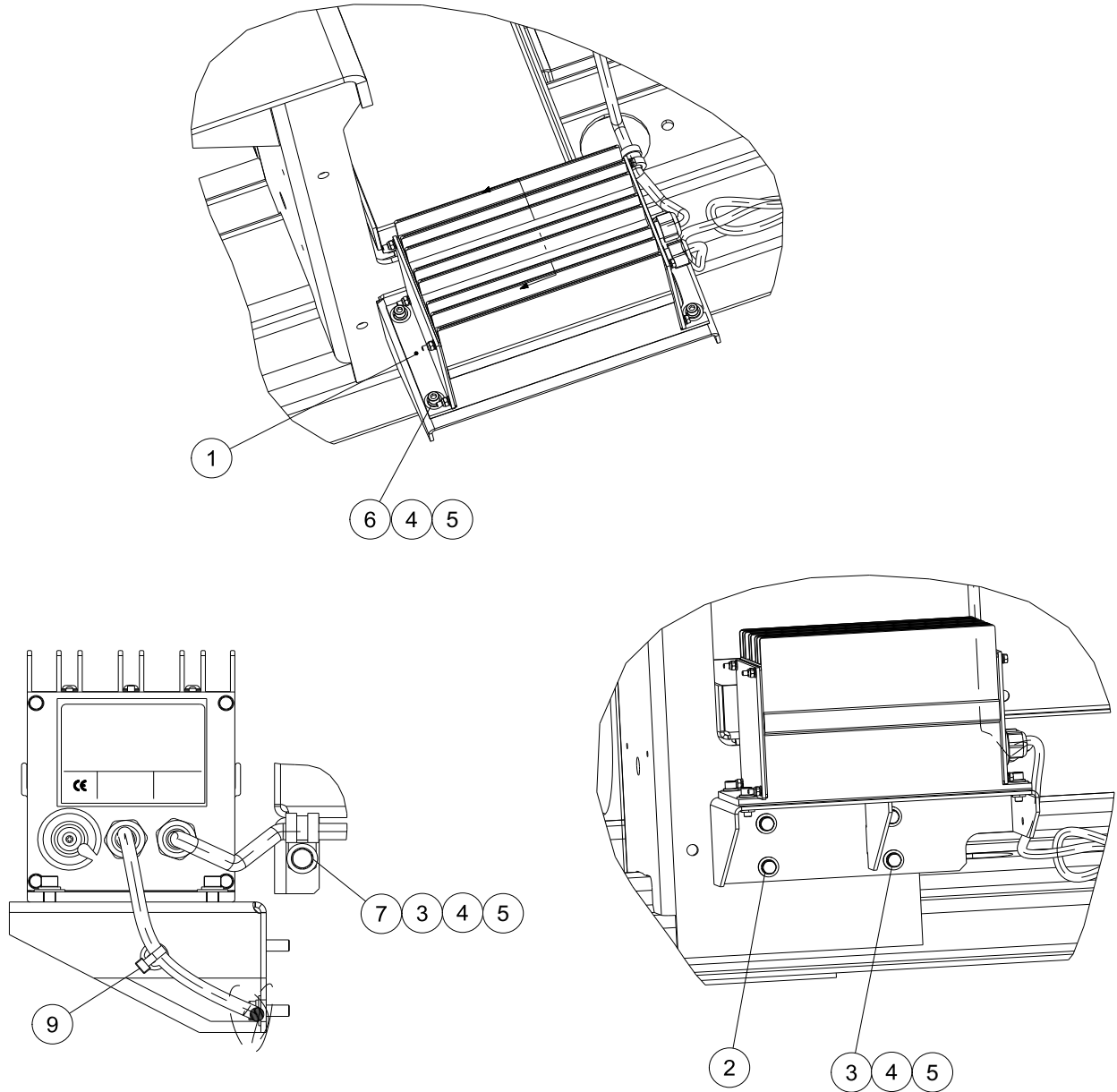
8 Exhaust System



Item	Part Number	Description	Qty
1	30-00472-00	Muffler	1
2	34-01146-12	Washer, Lock	2
3	34-01151-12	Washer, Flat	2
4	34-01155-25	Screw, Cap Hxhd	2
5	34-00964-00	Stud	2
6	34-01324-13	Nut, Flanged	2

77-01571-00

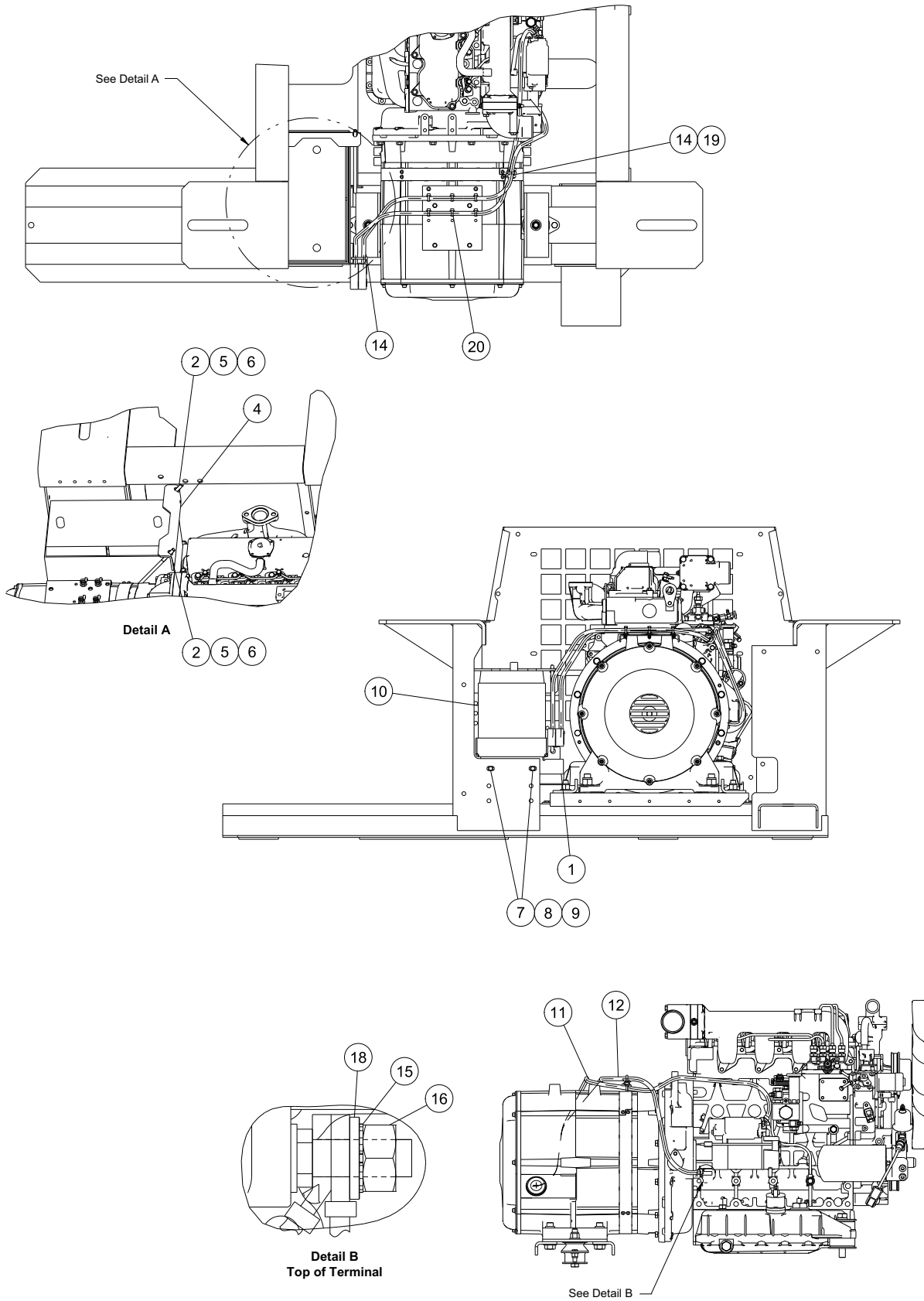
9 Battery Charger



Item	Part Number	Description	Qty
1	30-00460-06	Battery Charger	1
2	86-04928-01	Bracket	1
3	34-00655-06	Screw, Cap HxHd	5
4	34-00662-11	Washer, Plain	9
5	34-00663-11	Washer, Lock	9
6	34-06014-12	Screw, Cap Skthd	4
7	34-00373-51	Clamp, Tube	1
9	58-05100-00	Sta-Strap	1

77-01978-00

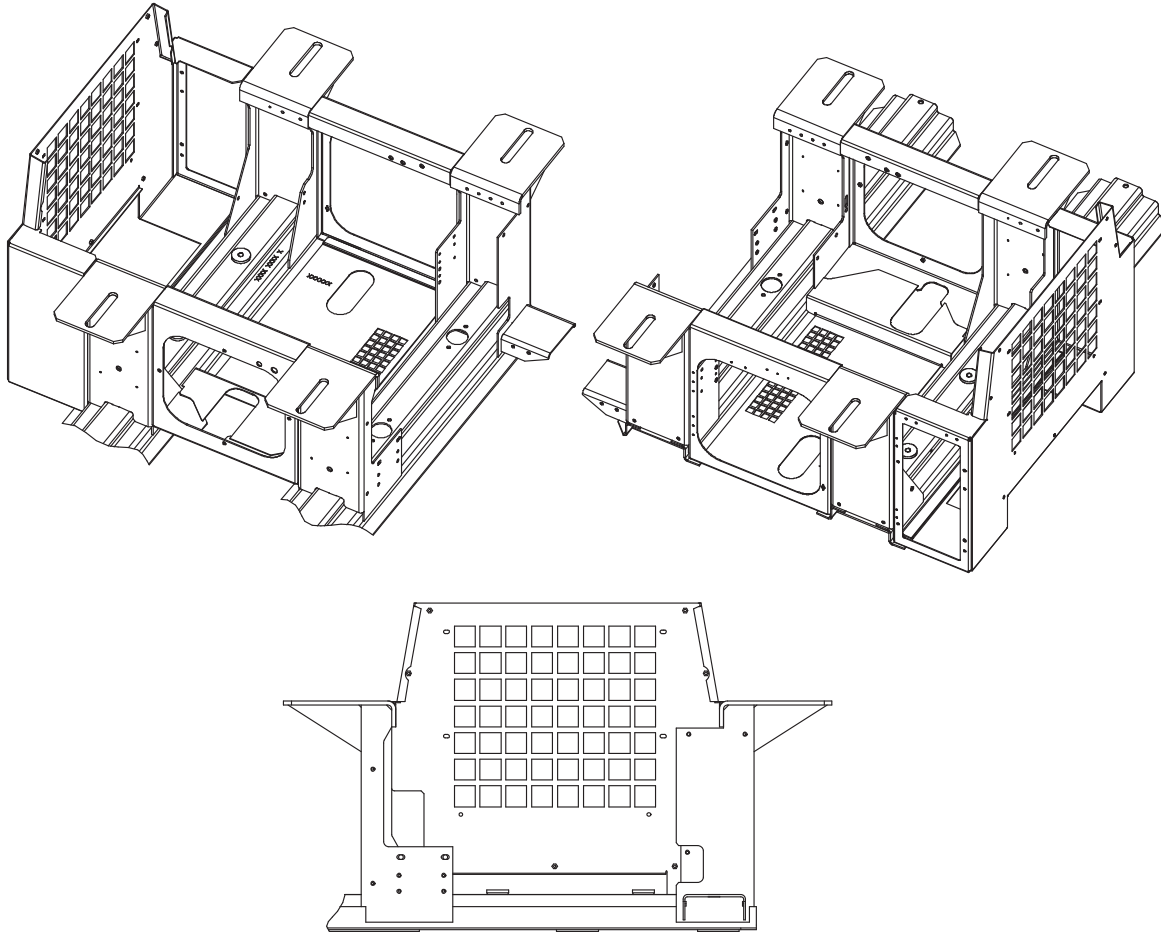
10 Battery Kit



10 Battery Kit

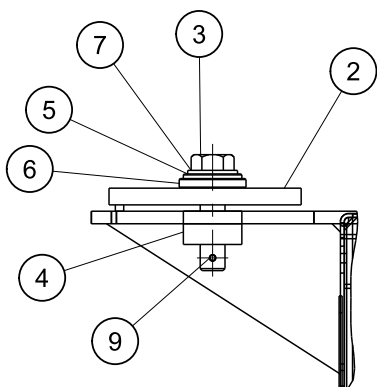
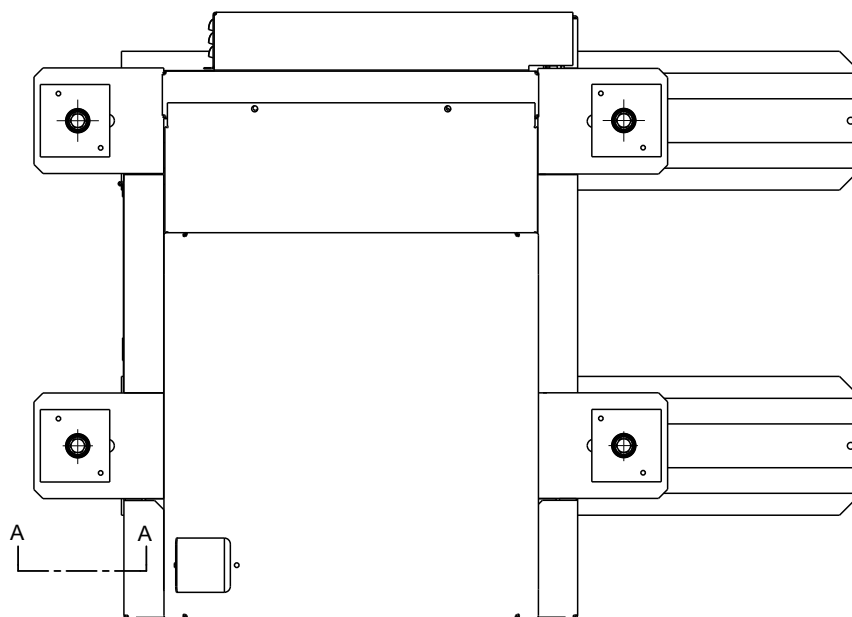
Item	Part Number	Description	Qty
1	86-05031-00	Box Assembly, Weld	1
2	34-06247-06	J-Hook	2
4	68-17382-00	Angle, Hold Down	1
5	34-00667-12	Nut, Self Lock	2
6	34-00662-12	Washer, Plain	2
7	34-00807-08	Screw, Cap Hxhd	4
8	34-00663-13	Washer, Lock	4
9	34-06212-14	Washer, Plain	4
10	30-00358-02	Battery	1
11	22-01633-88	Cable, Battery	1
12	22-01633-89	Cable, Battery	1
14	58-00079-02	Sta-Strap	8
15	34-00372-43	Washer, Lock	1
16	34-06134-07	Nut, Hex	1
17	44-00102-52	Clamp, Cushioned	2
18	34-01151-10	Washer, Flat	1
19	58-01449-00	Swivel	1
20	58-05100-00	Sta-Strap	6
			77-01895-00

11 Frame Assembly



Item	Part Number	Description	Qty
	86-04831-01	Frame Assembly, 50/65 Gallon	1
			86-04831-01

12 Mounting Kit

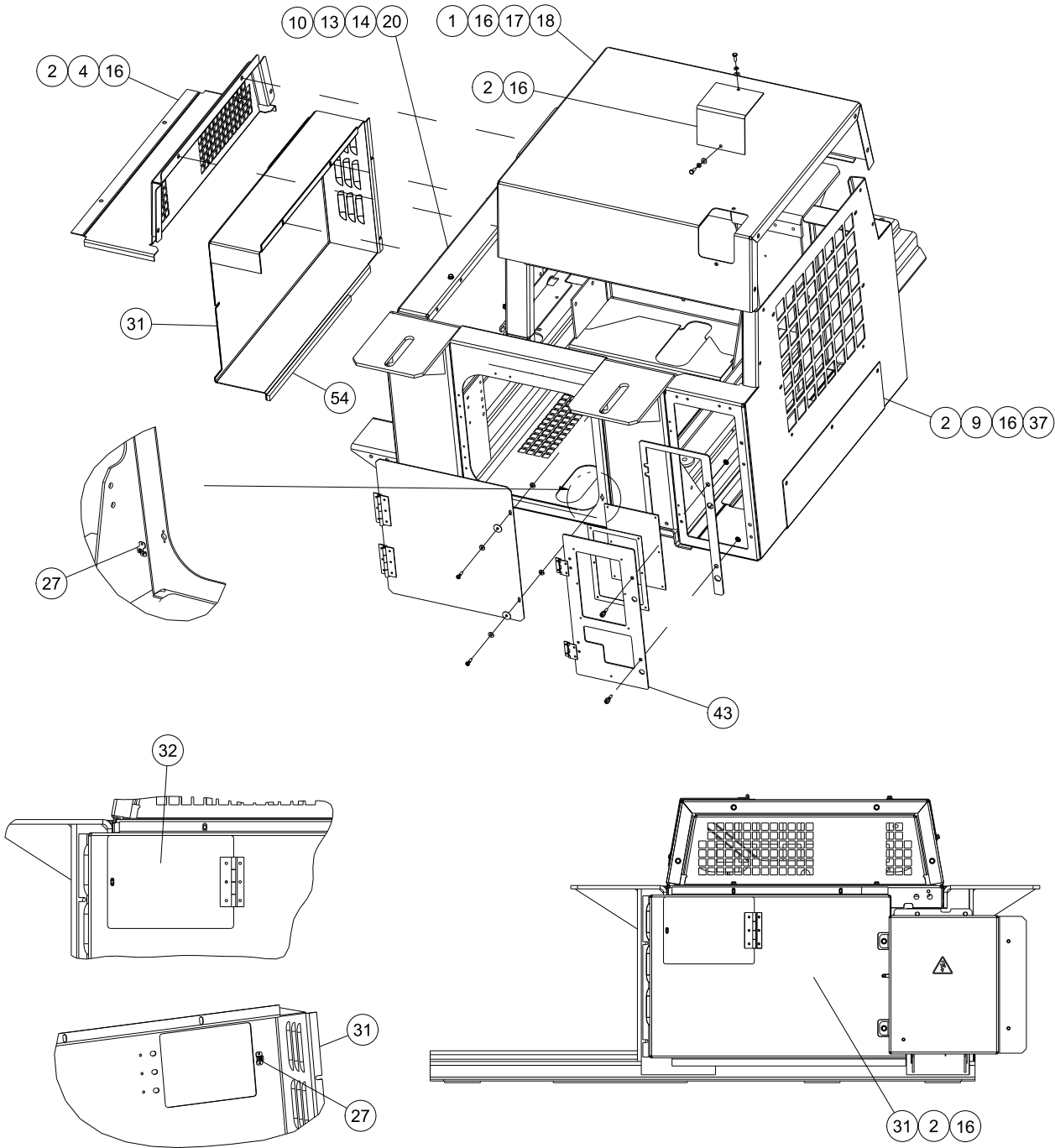


View A-A

Item	Part Number	Description	Qty
2	68-11862-01	Plate, Mounting	4
3	34-06151-02	Bolt, Hxhd	4
4	34-06157-01	Nut, Tee	4
5	34-06158-02	Washer, Spher	4
6	34-06158-22	Washer, Spher	4
7	34-06159-50	Washer, Special	4
9	34-06026-02	Rollpin	4

77-00616-02

13 Skins Kit

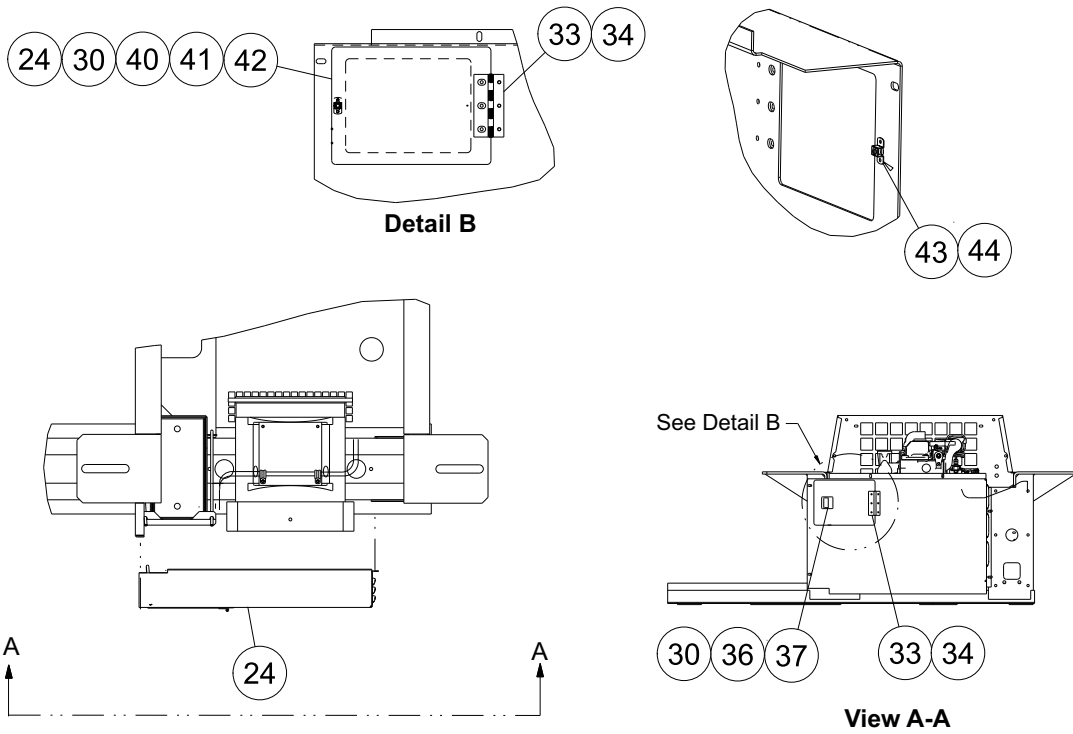


13 Skins Kit

Item	Part Number	Description	Qty
1	68-14535-01	Cover	1
2	34-00655-06	Screw, Cap Hxhd	12
4	68-15522-01	Panel, Top	1
9	68-17019-01	Door	1
10	86-04906-00	Channel, Support	1
13	34-00807-10	Screw, Cap Hxhd	4
14	66-U---1--5321-17	Washer, Plain	4
16	--AU--11JR-171	Washer, Lock	20
17	34-06003-08	Screw, Cap Hxhd	8
18	66-U---1--5321-7	Washer, Plain	8
20	68-14709-00	Spacer	3
27	34-00928-02	Rivet, Blind	6
31	68-16776-01	Panel, Back	1
32	76-00751-01	Access Door (See Access Door Assembly)	1
37	66-U---1--2552	Gasket	1
43	79-01795-01	Door Assembly (See Control Box Door Assembly)	1
54	42-00269-11	Gasket	1

77-01573-01

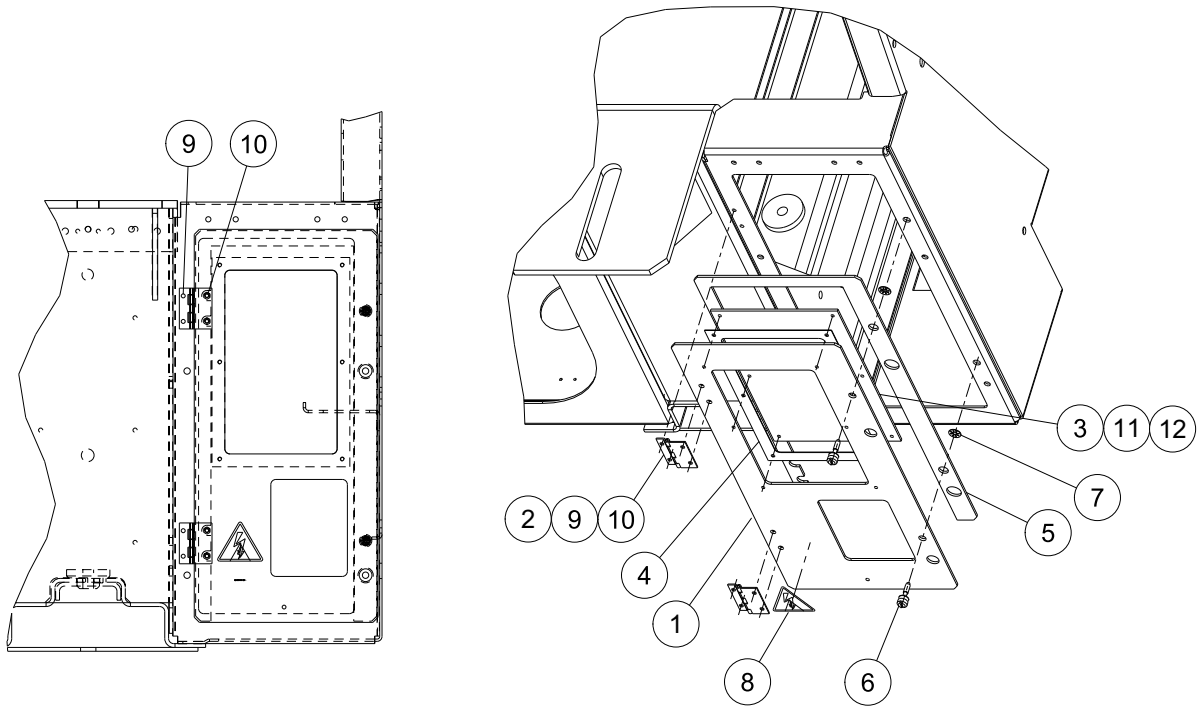
13 Access Door Assembly



Item	Part Number	Description	Qty
	76-00751-01	Access Door Assembly - Includes:	
24	66-U---1--5321-3	Washer, Plain	1
30	68-12814-01	Door, Access	1
33	44-00352-01	Hinge	1
34	34-00928-13	Rivet, Blind	6
36	42-00174-42	Gasket	2
37	42-00174-43	Gasket	2
40	66-U---1--6811-12	Screw, Retaining	1
41	34-01226-00	Washer, Retaining	1
42	34-06053-03	Washer	1
43	34-01142-01	Receptacle	1
44	34-00928-01	Rivet, Blind	2

76-00751-01

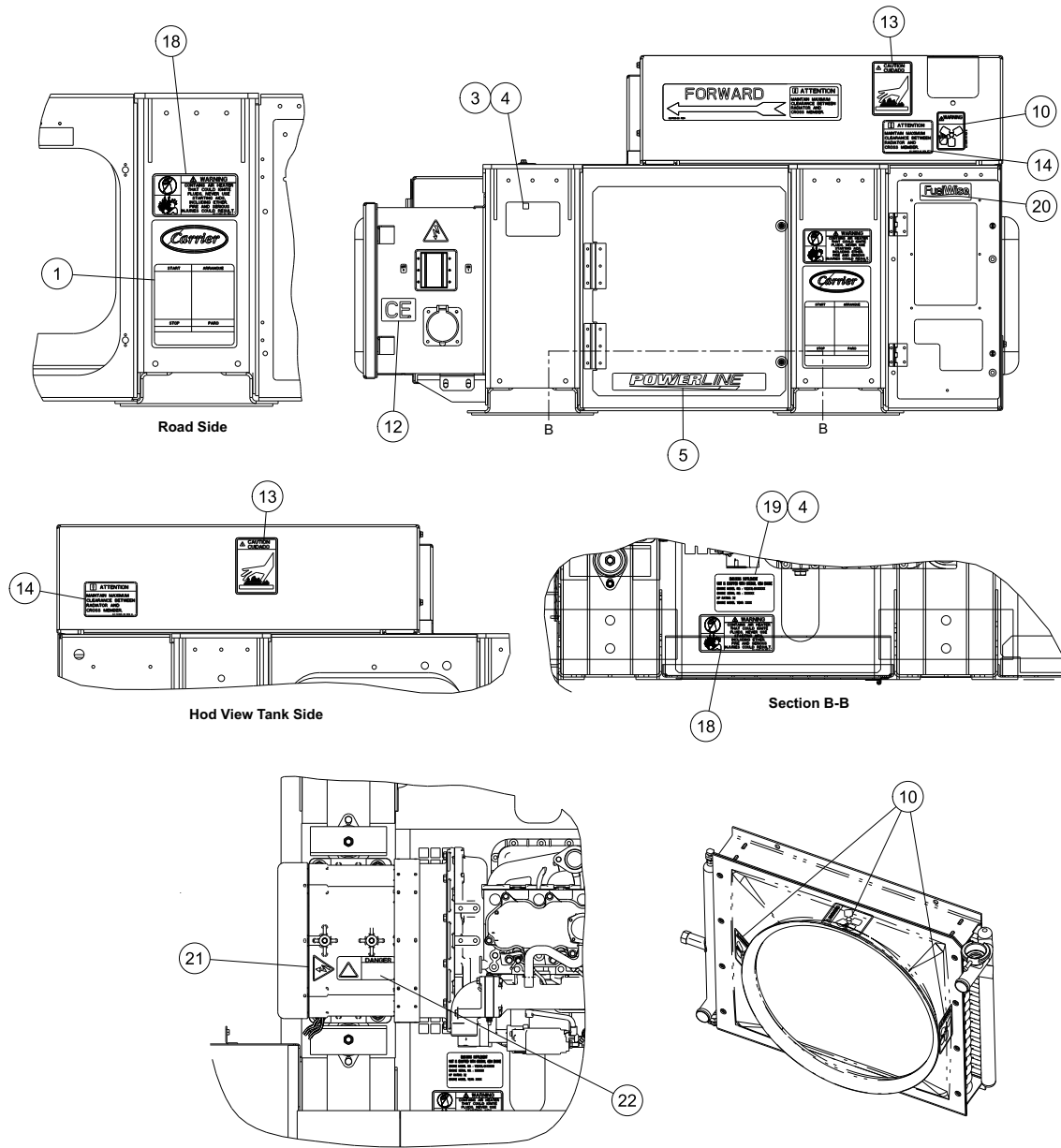
13 Control Box Door Assembly



Item	Part Number	Description	Qty
	79-01795-01	Control Box Door Assembly - Includes:	
1	68-13439-02	Door	1
2	44-00399-01	Hinge	2
3	58-04428-00	Panel	1
4	42-00483-00	Gasket	1
5	42-00484-00	Gasket	1
6	66-U---1--6811-8	Screw, Retaining	1
7	34-06169-00	Washer, Retaining	2
8	62-03957-04	Decal, Warning	1
9	34-00928-13	Rivet, Blind	4
10	66-U---1--5371-9	Screw, Mach Hxhd	4
11	34-00928-05	Rivet, Blind	6
12	--AU--53VA-061	Washer, Gasket	6

79-01795-01

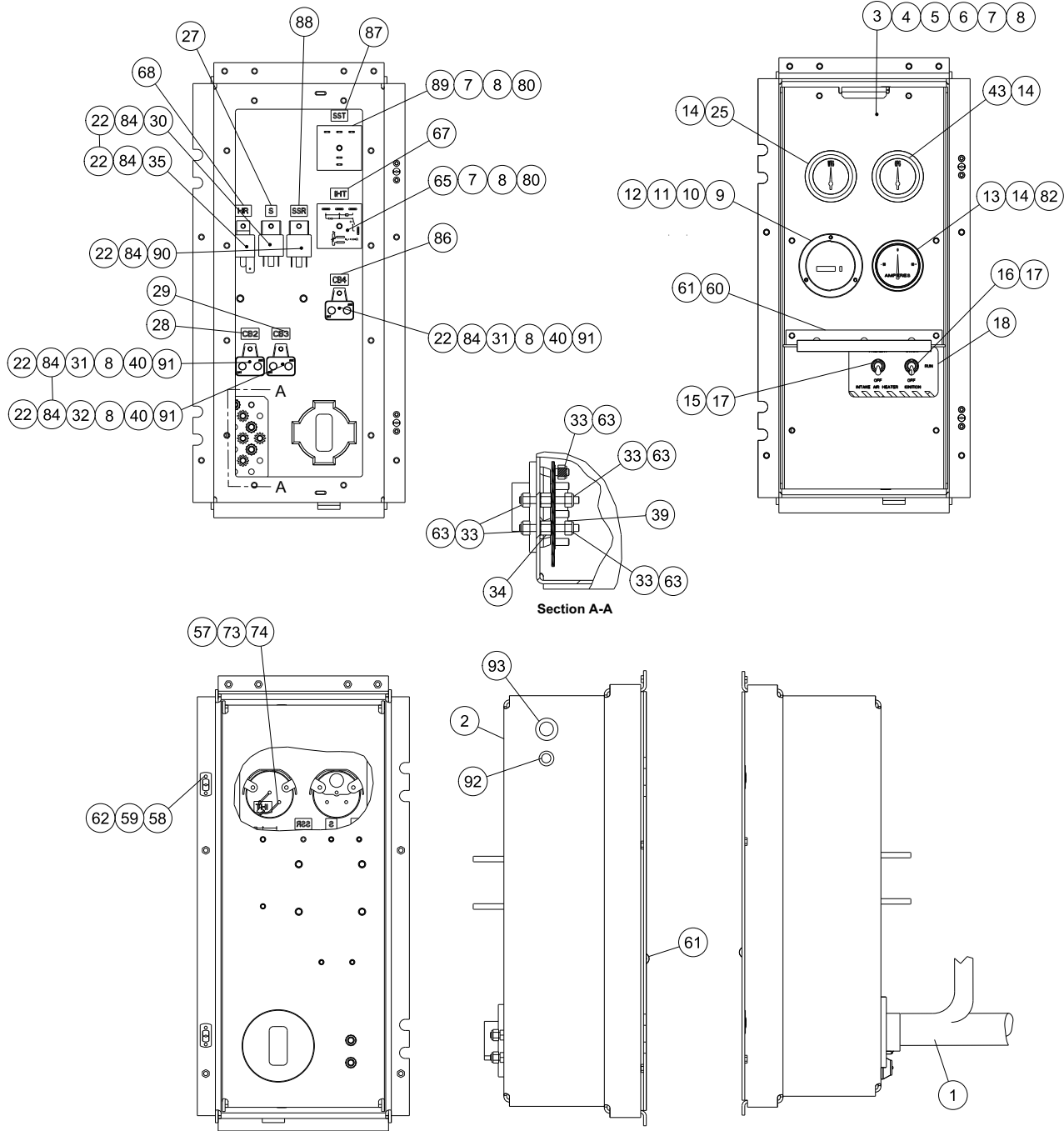
14 Labels and Decals



Item	Part Number	Description	Qty
1	62-11591-00	Label, CTD/Start/Stop	1
3	62-10572-00	Label, Genset	1
4	62-10391-01	Label, Protective	2
5	62-04191-00	Label, RG PowerLINE	1
10	62-02895-00	Label, Fan Warning	3
12	62-02785-00	Label, CE	1
13	62-02972-00	Label, Hot Surface	2
14	62-10925-00	Label, Attention	2
18	62-11302-00	Decal, Warning (Ether)	2
19	62-10572-04	Label, Emissions	1
20	62-11588-00	Label, FuelWise	1
21	62-03957-01	Decal, High Voltage	1
22	62-10358-00	Label, Danger	1

77-01574-02

15 Control Box



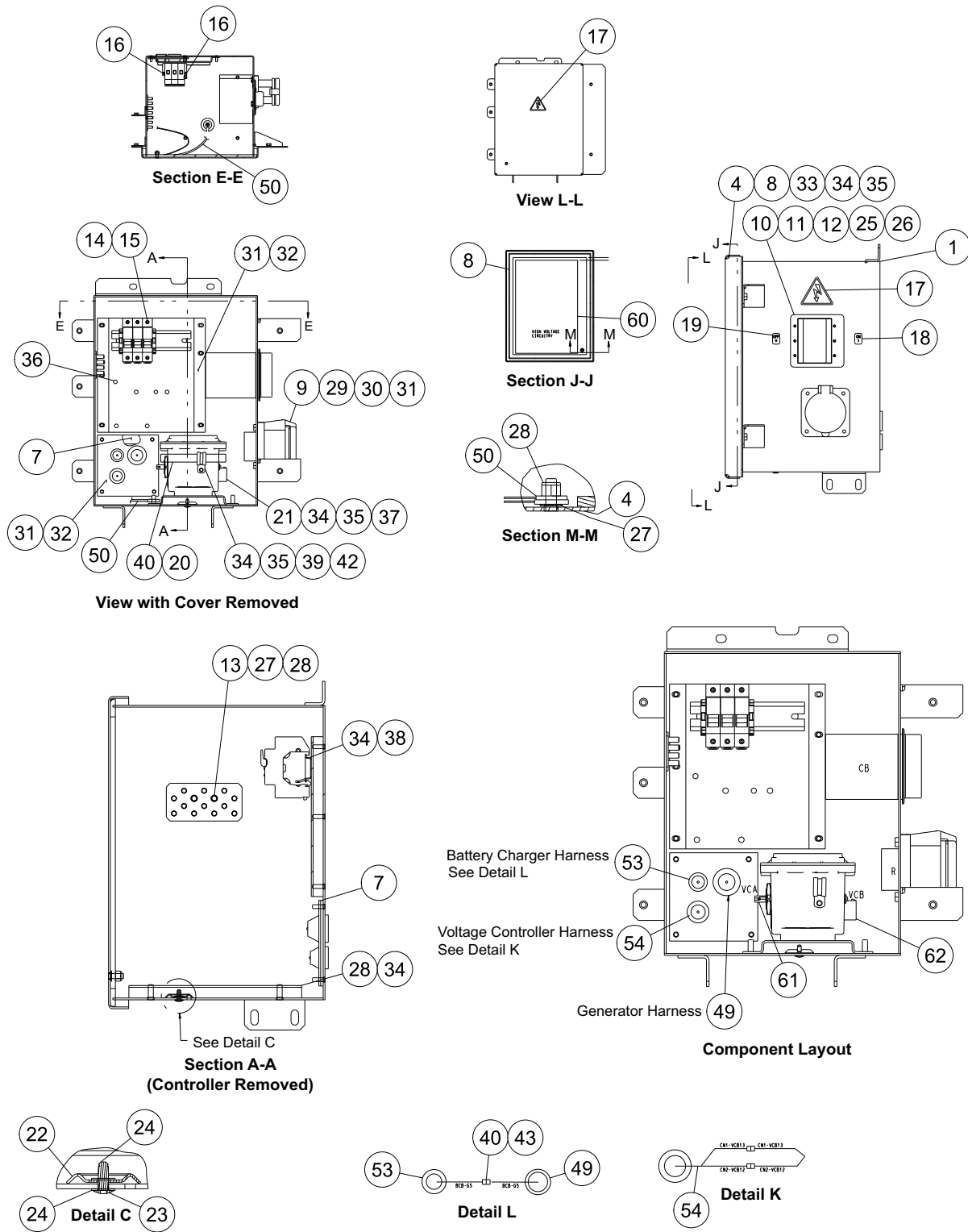
Item	Part Number	Description	Qty
	91-01202-03	Control Box Assembly Includes:	
1	22-03062-00	Wire Harness	1
2	86-03257-03	Box Assembly, Weld	1
3	68-16863-00	Panel, Control	1
4	42-00269-06	Gasket	2
5	42-00309-00	Gasket	2
6	66-U---1--5371-6	Screw, Mach Hxhd	8
7	66-U---1--5321-8	Washer, Plain	10
8	66-U---1--5331-3	Washer, Lock	16
9	76-02132-00	Meter	1
10	58-01508-00	Gasket	1

15 Control Box

11	66-U---1--6651-15	Screw, Mach Pnhd	3
12	34-00667-05	Nut, Self Lock	3
13	22-00538-01	Ammeter	1
14	--KK--71EW-223	O-Ring	3
15	10-01129-19	Switch, Toggle	1
16	10-01129-14	Switch, Toggle	1
17	42-00583-00	Seal	2
18	62-02669-01	Label	1
22	66-U---1--5321-2	Washer, Plain	6
25	12-00097-03	Gauge	1
27	66CH---1--1002-132	Label	1
28	66-U---1--3662-21	Label	1
29	66CH---1--1002-5	Label	1
30	10-00286-18	Relay	1
31	10-00171-12	Circuit Breaker	2
32	10-00171-13	Circuit Breaker	1
33	34-00667-11	Nut, Self Lock	9
34	66-U---1--9592-13	Standoff	2
35	10-00328-06	Relay	1
39	68-86230-02	Strap Assembly	1
40	--AT--39QA-132	Nut, Hex	6
41	58-00079-02	Sta-Strap	10
43	66-U---1--2823	Gauge	1
57	22-01030-54	Diode Assembly	1
58	34-01159-02	Receptacle	2
59	34-00928-01	Rivet, Blind	4
60	68-13441-00	Shield	1
61	42-01096-01	Seal	1
62	58-04026-32	Protector	2
63	34-00372-41	Washer, Lock	9
65	10-00469-00	Relay, Td	1
67	62-10530-25	Label	1
68	66CH---1--1002-38	Label	1
73	22-02200-06	Washer, Plain	2
74	34-00667-07	Nut, Self Lock	2
80	34-00665-09	Nut, Hex	2
82	58-00836-13	Spacer	2
84	34-00667-08	Nut, Self Lock	6
86	66CH---1--1002-4	Label	1
87	62-10530-31	Label	1
88	62-10530-32	Label	1
89	10-00488-00	Timer	1
90	10-00286-03	Relay	1
91	58-01427-00	Cap	6
92	58-04842-02	Grommet	1
93	58-04842-03	Grommet	1

91-01202-03

16 Receptacle Box



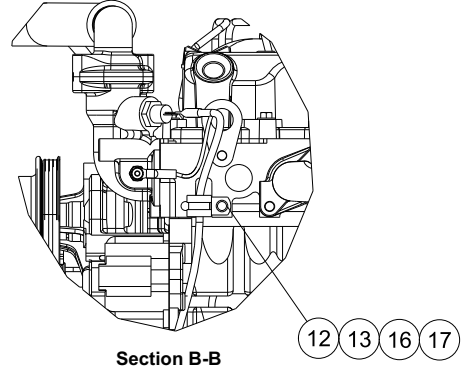
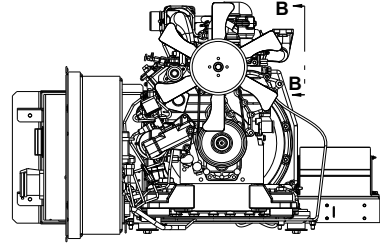
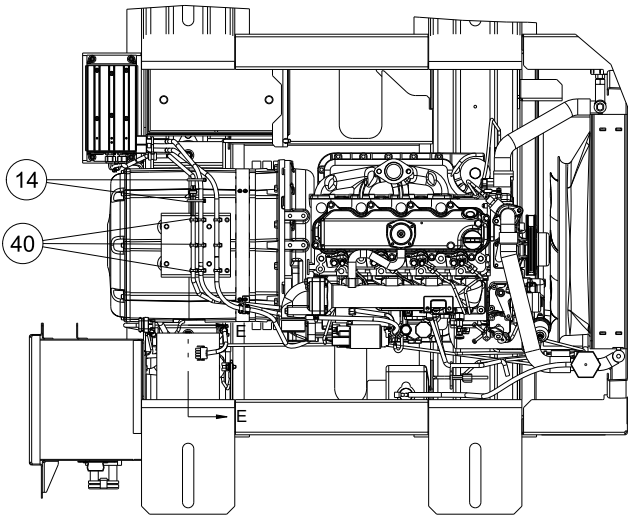
Item	Part Number	Description	Qty
	91-00488-01	Receptacle Box Assembly Includes:	
1	86-04991-00	Receptacle Box	1
4	86-04941-00	Cover, Box	1
7	42-00751-00	Gasket	1
8	42-00752-00	Gasket	1

16 Receptacle Box

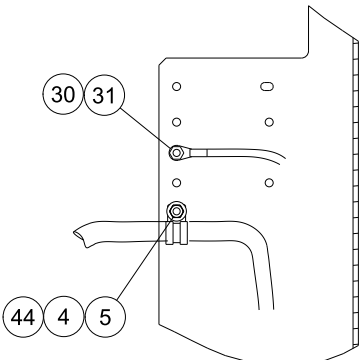
9	22-01679-00	Receptacle	1
10	66-U---1--7842-11	Circuit Breaker	1
11	66CH---1--1092-4	Boot, Frame	1
12	66-U---2--1391-1	Boot	1
13	68-86230-00	Strap Assembly	1
14	22-04178-10	Fuse Holder	1
15	22-01196-24	Fuse	3
16	22-04158-00	Stop	2
17	62-03957-04	Decal, Warning	2
18	62-02670-00	Label	1
19	62-02670-01	Label	1
20	58-00848-01	Tube, Slit	1
21	12-00707-04	Controller	1
22	58-00660-00	Washer	1
23	34-00928-13	Rivet, Blind	1
24	34-00829-09	Washer, Plain	2
25	66-U---1--7842-6	Nut, Hex	6
26	66-U---1--7842-7	Washer, Flat	12
27	34-00372-41	Washer, Lock	10
28	34-00667-11	Nut, Self Lock	14
29	66-U---1--5371-6	Screw, Mach Hxhd	4
30	66-U---1--5331-3	Washer, Lock	4
31	66-U---1--5321-8	Washer, Plain	14
32	34-00795-09	Nut, Self Lock	10
33	66-U---1--5361-25	Screw, Cap Hxhd	4
34	34-06212-12	Washer, Plain	15
35	--AU--11JR-171	Washer, Lock	9
36	58-05100-00	Sta-Strap	1
37	66-U---1--5361-47	Bolt, Mach Hxhd	4
38	34-00655-04	Screw, Cap Hxhd	2
39	34-00655-03	Screw, Cap Hxhd	1
40	58-00079-02	Sta-Strap	12
42	34-00373-07	Clamp, Tube	1
43	22-04183-06	Heat Shrink	1
49	22-04435-00	Wire Harness	1
50	44-00455-01	Cable	1
53	22-04436-00	Wire Harness	1
54	22-04275-00	Wire Harness	1
60	62-11963-00	Label, Schematic	1
61	22-04438-00	Wire Harness	1
62	22-04437-00	Wire Harness	1

91-00488-01

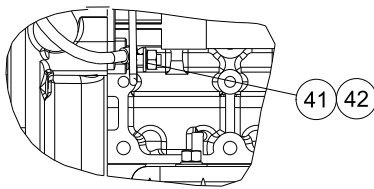
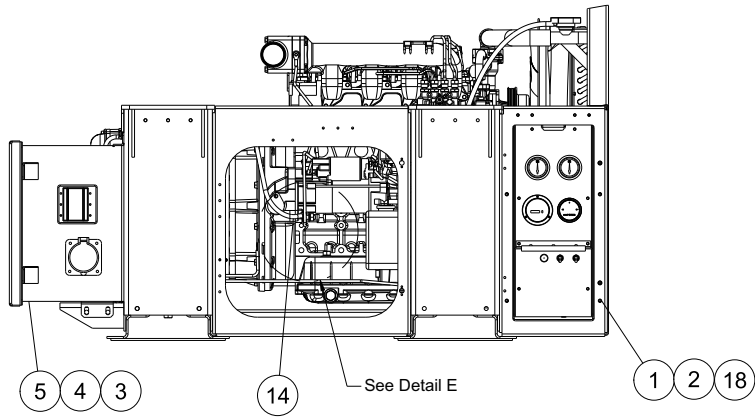
17 Voltage Kit



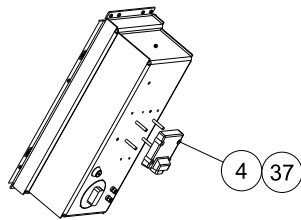
Section B-B



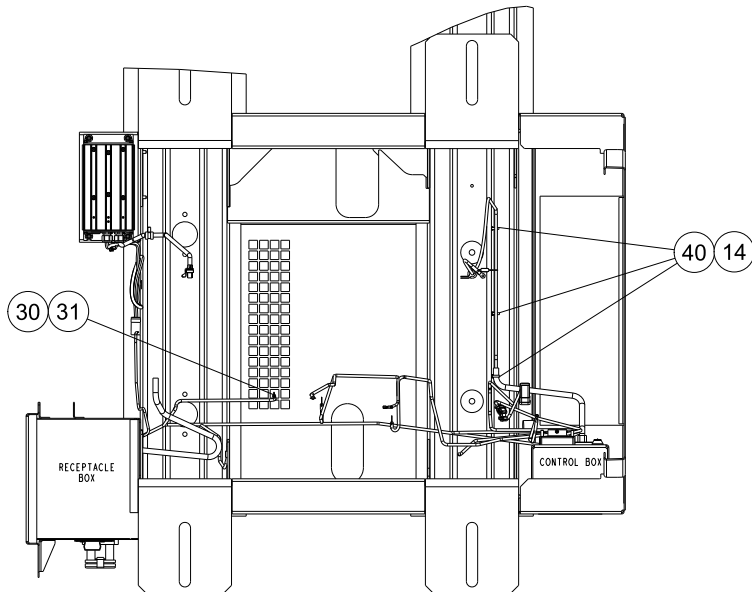
Section E-E



Detail E



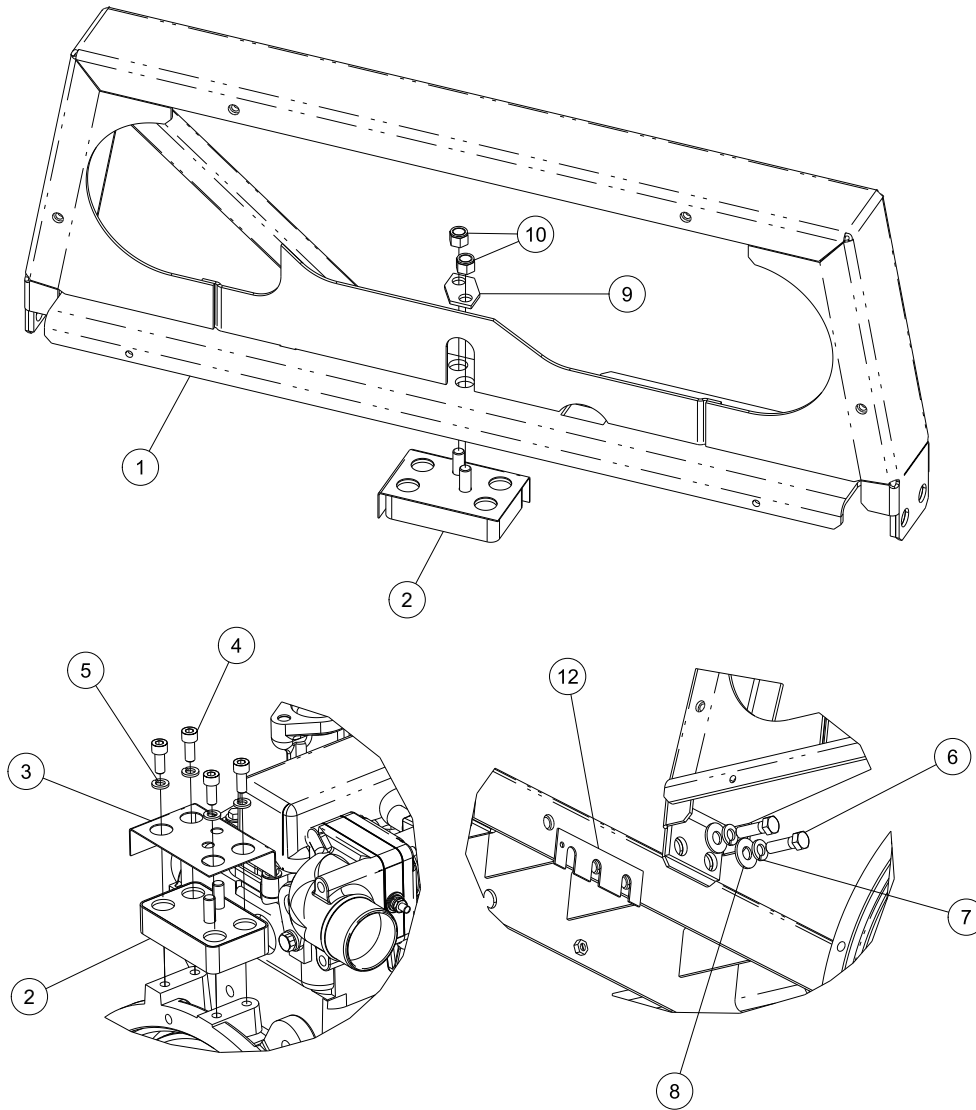
Engine Speed Control Module



17 Voltage Kit

Item	Part Number	Description	Qty
1	66-U---1--5371-6	Screw, Mach Hxhd	6
2	34-01331-05	Washer	6
3	34-00655-08	Screw, Cap Hxhd	6
4	34-00662-11	Washer, Plain	11
5	34-00663-11	Washer, Lock	7
6	58-01303-01	Tube, Heatshrink	7
7	58-01303-02	Tube, Heatshrink	6
12	34-01145-06	Nut, Hex	1
13	34-01146-08	Washer, Lock	1
14	58-00079-02	Sta-Strap	10
16	44-00102-52	Clamp, Cushioned	1
17	34-01151-08	Washer, Flat	1
18	66-U---1--5331-3	Washer, Lock	6
30	34-00655-06	Screw, Cap Hxhd	3
31	34-00372-41	Washer, Lock	2
37	34-00667-11	Nut, Self Lock	4
40	58-05100-00	Sta-Strap	11
41	34-00372-43	Washer, Lock	1
42	34-06134-07	Nut, Hex	1
44	44-00102-51	Clamp, Cushioned	1
			77-01979-00

18 Snubber Kit



Item	Part Number	Description	Qty
1	86-04687-00	Weld Assembly	1
2	73-00205-00	Shockmount	1
3	68-14812-00	Shield, Heat	1
4	34-06280-20	Screw, Cap	4
5	34-01146-08	Washer, Lock	4
6	34-00807-10	Screw, Cap Hxhd	4
7	34-00663-13	Washer, Lock	4
8	66-U---1--5321-17	Washer, Plain	4
9	68-14809-00	Nutplate	1
10	34-00667-13	Nut, Self Lock	2
12	68-14709-00	Spacer	3

77-01335-00

INDEX

Numerics

10-00158-03	3-6	34-00655-06	9-16, 13-22, 17-32
10-00171-12	15-28	34-00655-08	6-12, 17-32
10-00171-13	15-28	34-00662-11	6-12, 9-16, 17-32
10-00286-03	15-28	34-00662-12	10-18
10-00286-18	15-28	34-00663-11	9-16, 17-32
10-00328-06	15-28	34-00663-13	3-6, 6-12, 10-18, 18-33
10-00469-00	15-28	34-00665-09	15-28
10-00488-00	15-28	34-00667-05	15-28
10-01129-14	15-28	34-00667-07	15-28
10-01129-19	15-28	34-00667-08	15-28
12-00097-03	15-28	34-00667-11	4-8, 6-12, 15-28, 16-30, 17-32
12-00098-04	3-6	34-00667-12	10-18
12-00592-16	3-6	34-00667-13	3-6, 18-33
12-00707-04	16-30	34-00667-15	3-6, 5-10
12-00747-11	5-10	34-00795-09	16-30
22-00538-01	15-28	34-00795-17	3-6
22-01030-54	15-28	34-00804-18	3-6
22-01196-24	16-30	34-00807-08	3-6, 6-12, 10-18
22-01633-88	10-18	34-00807-10	13-22, 18-33
22-01633-89	10-18	34-00807-12	3-6
22-01679-00	16-30	34-00829-09	16-30
22-02200-06	15-28	34-00829-13	3-6, 6-12
22-03062-00	15-27	34-00829-15	3-6
22-04158-00	16-30	34-00833-28	3-6
22-04178-10	16-30	34-00890-10	3-6
22-04183-06	16-30	34-00928-01	13-23, 15-28
22-04275-00	16-30	34-00928-02	13-22
22-04435-00	16-30	34-00928-05	13-24
22-04436-00	16-30	34-00928-10	4-8, 6-12
22-04437-00	16-30	34-00928-13	13-23, 13-24, 16-30
22-04438-00	16-30	34-00928-14	5-10
26-00136-18	3-6	34-00945-06	3-6
30-00358-02	10-18	34-00964-00	8-15
30-00373-02	6-12	34-01142-01	13-23
30-00397-00	7-14	34-01145-06	17-32
30-00406-01	4-8	34-01146-08	17-32, 18-33
30-00426-05	4-8	34-01146-12	8-15
30-00426-20	4-8	34-01146-58	3-6
30-00460-06	9-16	34-01151-08	17-32
30-00472-00	8-15	34-01151-10	10-18
30-01090-04	6-12	34-01151-12	8-15
34-00372-41	15-28, 16-30, 17-32	34-01155-25	8-15
34-00372-43	10-18, 17-32	34-01159-02	15-28
34-00373-07	16-30	34-01226-00	13-23
34-00373-51	9-16	34-01319-00	3-6
34-00559-08	3-6	34-01324-13	8-15
34-00655-03	16-30	34-01331-05	17-32
34-00655-04	16-30	34-01333-00	5-10
		34-01369-50	3-6

34-06003-08	13-22	50-01198-00	3-6
34-06014-12	9-16	54-00738-20	3-6
34-06026-02	12-20	54-00738-21	3-6
34-06029-08	3-6	54-00738-22	3-6
34-06053-03	13-23	58-00065-46	6-12
34-06060-01	3-6	58-00065-76	6-12
34-06060-02	3-6	58-00079-00	6-12
34-06134-07	10-18, 17-32	58-00079-02	3-6, 6-12, 7-14, 10-18, 15-28, 16-30, 17-32
34-06151-02	12-20		
34-06157-01	12-20	58-00659-27	6-12
34-06158-02	12-20	58-00660-00	16-30
34-06158-22	12-20	58-00836-13	15-28
34-06159-50	12-20	58-00848-01	16-30
34-06169-00	13-24	58-00848-02	6-12
34-06212-12	16-30	58-00848-19	6-12
34-06212-14	10-18	58-00848-20	7-14
34-06247-06	10-18	58-00848-21	6-12
34-06280-20	18-33	58-00848-22	6-12
40-00107-01	3-6	58-00848-23	6-12
40-00342-01	5-10	58-00849-05	6-12
40-00342-03	5-10	58-00858-30	6-12
40-00345-04	6-12	58-00969-00	6-12
40-00506-00	4-8	58-01183-11	5-10
40-00671-00	6-12	58-01183-14	5-10
40-00697-00	5-10	58-01303-01	17-32
40-00771-00	3-6	58-01303-02	17-32
42-00174-42	13-23	58-01391-00	6-12
42-00174-43	13-23	58-01427-00	15-28
42-00269-06	15-27	58-01449-00	6-12, 10-18
42-00269-11	13-22	58-01508-00	15-27
42-00309-00	15-27	58-04015-01	5-10
42-00483-00	13-24	58-04026-32	15-28
42-00484-00	13-24	58-04102-03	4-8
42-00583-00	15-28	58-04184-00	5-10
42-00751-00	16-29	58-04184-01	7-14
42-00752-00	16-29	58-04215-10	7-14
42-01096-01	15-28	58-04428-00	13-24
42-01133-00	6-12	58-04585-00	7-14
44-00045-25	6-12	58-04780-00	4-8
44-00102-51	17-32	58-04784-10	7-14
44-00102-52	6-12, 10-18, 17-32	58-04842-02	15-28
44-00102-54	6-12	58-04842-03	15-28
44-00102-56	6-12	58-05100-00	9-16, 10-18, 16-30, 17-32
44-00317-00	6-12	62-02181-02	5-10
44-00352-01	13-23	62-02669-01	15-28
44-00388-00	7-14	62-02670-00	16-30
44-00399-01	13-24	62-02670-01	16-30
44-00454-00	4-8	62-02785-00	14-25
44-00455-01	16-30	62-02895-00	14-25
46-00031-01	3-6	62-02972-00	14-25
50-01195-00	3-6	62-03957-01	14-25

62-03957-04	13-24, 16-30	68-11862-01	12-20
62-04191-00	14-25	68-11903-07	5-10
62-10358-00	14-25	68-12814-01	13-23
62-10391-01	5-10, 14-25	68-13439-02	13-24
62-10530-25	15-28	68-13441-00	15-28
62-10530-31	15-28	68-14126-00	7-14
62-10530-32	15-28	68-14535-01	13-22
62-10572-00	14-25	68-14709-00	13-22, 18-33
62-10572-04	14-25	68-14809-00	18-33
62-10573-00	5-10	68-14812-00	18-33
62-10903-00	7-14	68-15491-00	4-8
62-10925-00	14-25	68-15522-01	13-22
62-11302-00	14-25	68-15602-00	6-12
62-11588-00	14-25	68-16152-00	5-10
62-11591-00	14-25	68-16776-01	13-22
62-11963-00	16-30	68-16863-00	15-27
62-60390-02	5-10	68-17019-01	13-22
65-01099-50	5-10	68-17382-00	10-18
66CH---1--1002-132	15-28	68-18431-00	6-12
66CH---1--1002-38	15-28	68-86230-00	16-30
66CH---1--1002-4	15-28	68-86230-02	15-28
66CH---1--1002-5	15-28	69NT--35--2692-1	7-14
66CH---1--1092-4	16-30	73-00175-01	3-6
66CH---1---163-27	6-12	73-00198-01	3-6
66-U---1--2552	13-22	73-00205-00	18-33
66-U---1--2823	15-28	76-00751-01	13-22, 13-23
66-U---1--2823-4	3-6	76-02132-00	15-27
66-U---1--3662-21	15-28	79-01795-01	13-22, 13-24
66-U---1--5321-17	13-22, 18-33	79-02424-01	6-12
66-U---1--5321-2	15-28	81-01379-02	7-14
66-U---1--5321-3	4-8, 13-23	81-04093-00	5-10
66-U---1--5321-5	6-12	86-03257-03	15-27
66-U---1--5321-7	7-14, 13-22	86-04524-01	3-6
66-U---1--5321-8	15-27, 16-30	86-04687-00	18-33
66-U---1--5321-9	3-6	86-04831-01	11-19
66-U---1--5331-3	15-27, 16-30, 17-32	86-04906-00	13-22
66-U---1--5331-8	3-6	86-04928-01	9-16
66-U---1--5361-25	4-8, 7-14, 16-30	86-04941-00	16-29
66-U---1--5361-36	3-6	86-04991-00	16-29
66-U---1--5361-47	16-30	86-05031-00	10-18
66-U---1--5371-6	15-27, 16-30, 17-32	91-00488-01	16-29
66-U---1--5371-9	13-24	91-01202-03	15-27
66-U---1--6651-15	15-28		
66-U---1--6811-12	13-23	A	
66-U---1--6811-8	13-24	--AT--39QA-132	15-28
66-U---1--7842-11	16-30	--AU--11JR-171	6-12, 7-14, 13-22, 16-30
66-U---1--7842-6	16-30	--AU--53VA-061	13-24
66-U---1--7842-7	16-30		
66-U---1--9132	4-8	K	
66-U---1--9592-13	15-28	--KA--69JM-824	7-14
66-U---2--1391-1	16-30	--KA--69JM-840	4-8
		--KK--71EW-223	15-28



Carrier Transicold Division,
Carrier Corporation
P.O. Box 4805
Syracuse, NY 13221 USA

<https://www.carrier.com/container-refrigeration>